

US00D860551S

(12) **United States Design Patent** (10) **Patent No.:** **US D860,551 S**
Fuller et al. (45) **Date of Patent:** **** Sep. 17, 2019**

(54) **DISHWASHER**

D559,478 S * 1/2008 Jung D32/2
D571,963 S * 6/2008 Jung D32/2
D577,869 S * 9/2008 Tartan D32/2

(71) Applicant: **Whirlpool Corporation**, Benton Harbor, MI (US)

(Continued)

(72) Inventors: **Mallory A. Fuller**, Orland Park, IL (US); **Richard L. Hammond**, Grand Haven, MI (US); **Michael A. Kahwaji**, St. Joseph, MI (US); **Jessica R. McConnell**, St. Joseph, MI (US); **Casey L. McCuan**, Saugatuk, MI (US); **Jason W. Tippetts**, Stevensville, MI (US); **Ameresh Babu Viswanathan**, St. Joseph, MI (US)

FOREIGN PATENT DOCUMENTS

GB 999061 A 7/1965
GB 1016077 A 1/1966
GB 1105140 A 3/1968

Primary Examiner — Michelle E. Wilson

(74) *Attorney, Agent, or Firm* — Price Heneveld LLP

(73) Assignee: **Whirlpool Corporation**, Benton Harbor, MI (US)

(57) **CLAIM**

The ornamental design for a dishwasher, as shown and described.

(**) Term: **14 Years**

DESCRIPTION

(21) Appl. No.: **29/512,227**

FIG. 1 is a top-front perspective view of a dishwasher according to our design;

(22) Filed: **Dec. 17, 2014**

FIG. 2 is a front view thereof;

(51) **LOC (12) Cl.** **15-05**

FIG. 3 is a right side view thereof;

(52) **U.S. Cl.**
USPC **D32/2**

FIG. 4 is a left side view thereof;

(58) **Field of Classification Search**
USPC D7/348-349; D32/2-3, 28
CPC D06F 33/02; D06F 39/02; D06F 220/065;
D06F 25/00; D06F 35/006; D06F 58/00;
D06F 58/02; D06F 58/04; D06F 58/20;
D06F 23/04; G05B 19/042
See application file for complete search history.

FIG. 5 is a top view thereof; and,

FIG. 6 is a bottom view thereof, a back view thereof showing no claimed portion of the design.

Broken lines are environmental only and form no part of the claimed design.

Dash-dot lines adjacent un-shaded areas represent bounds of the claimed design and form no part of the claimed design themselves.

(56) **References Cited**

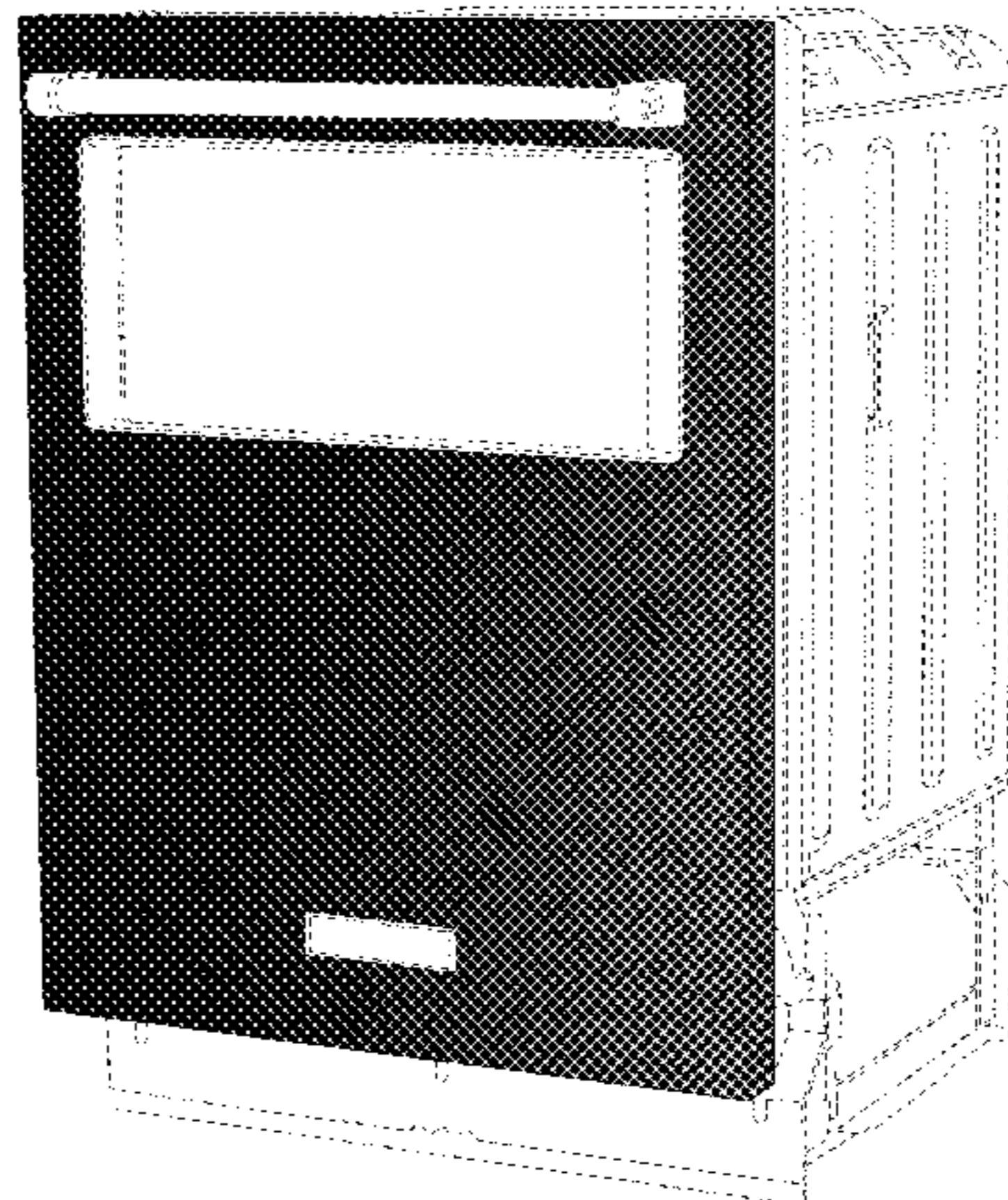
U.S. PATENT DOCUMENTS

2,121,680 A 6/1938 Arvin
5,387,473 A 2/1995 Yoshimi et al.
5,620,801 A 4/1997 Binns et al.
D511,870 S * 11/2005 Paik D32/2
7,279,218 B2 10/2007 Watase et al.

The diagonal shading using solid lines indicates a transparent material. In particular, the forward-directed (i.e. lower-left to upper-right) shading, indicates a tinted transparent material layer (that is such that the texture represented by the texture shading is visible through the transparent material thereover.

The texture shading depicted beneath the tinted transparent material layer represents a surface texture on the layer on which it is depicted in the form of a metal surface treatment.

1 Claim, 6 Drawing Sheets



(56)

References Cited

U.S. PATENT DOCUMENTS

D677,023	S	*	2/2013	Borjesson	D32/2
8,663,793	B2		3/2014	Jo et al.	
D703,395	S	*	4/2014	Choi	D32/2
8,715,837	B2		5/2014	Tada et al.	
2005/0154118	A1		7/2005	Hayes et al.	
2010/0021726	A1		1/2010	Jo et al.	
2012/0070651	A1		3/2012	Morishita et al.	

* cited by examiner

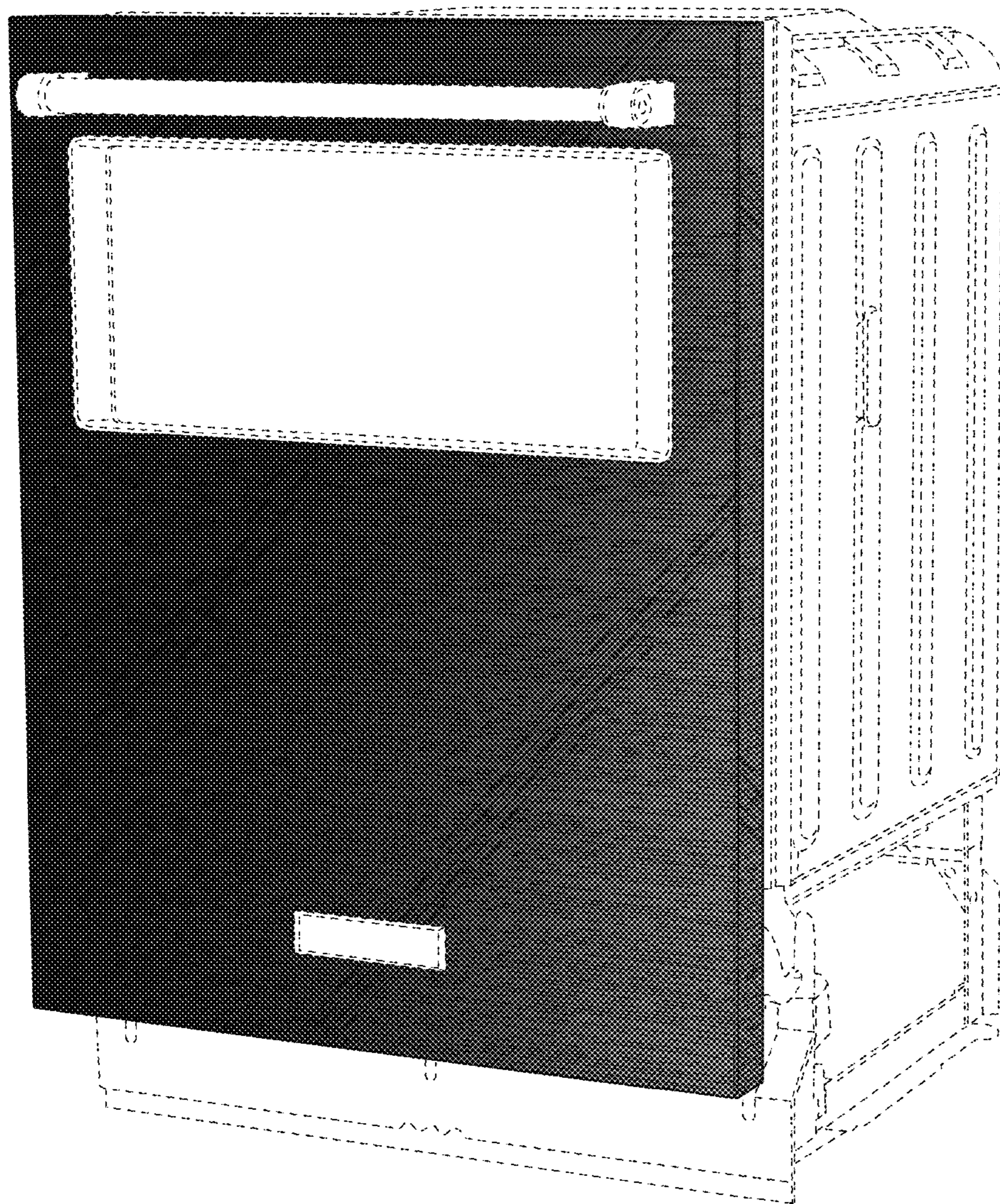


FIG. 1

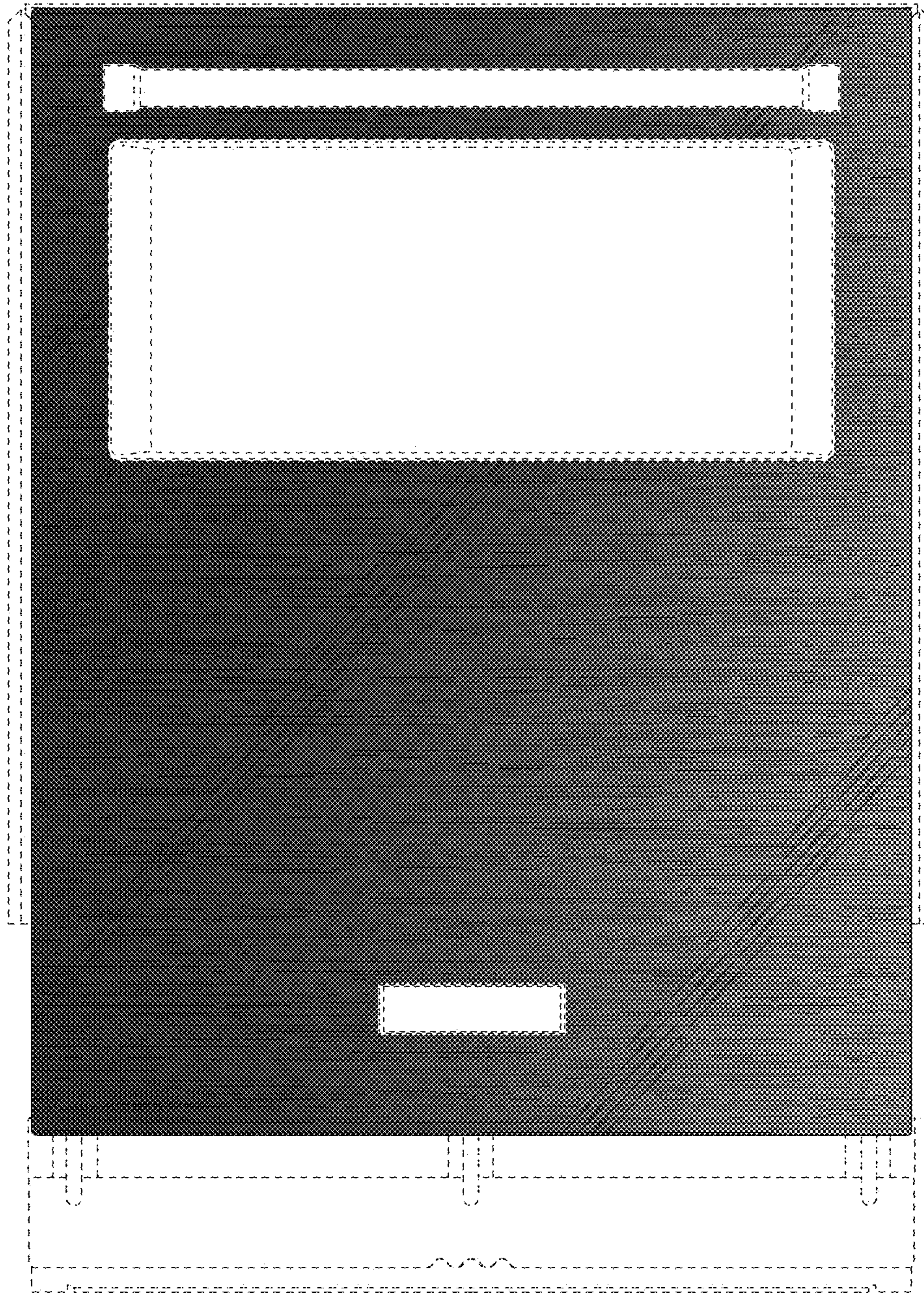


FIG. 2

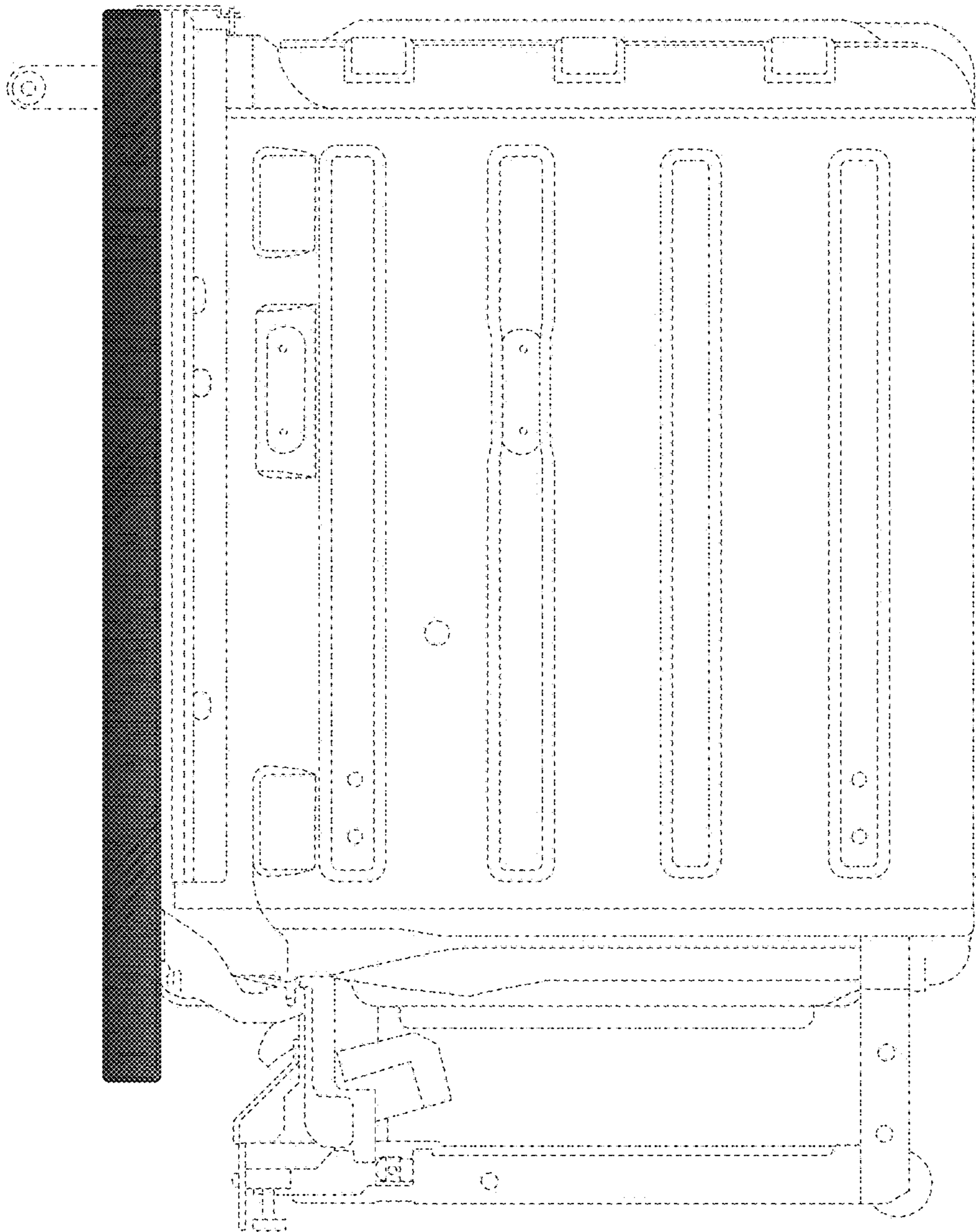


FIG. 3

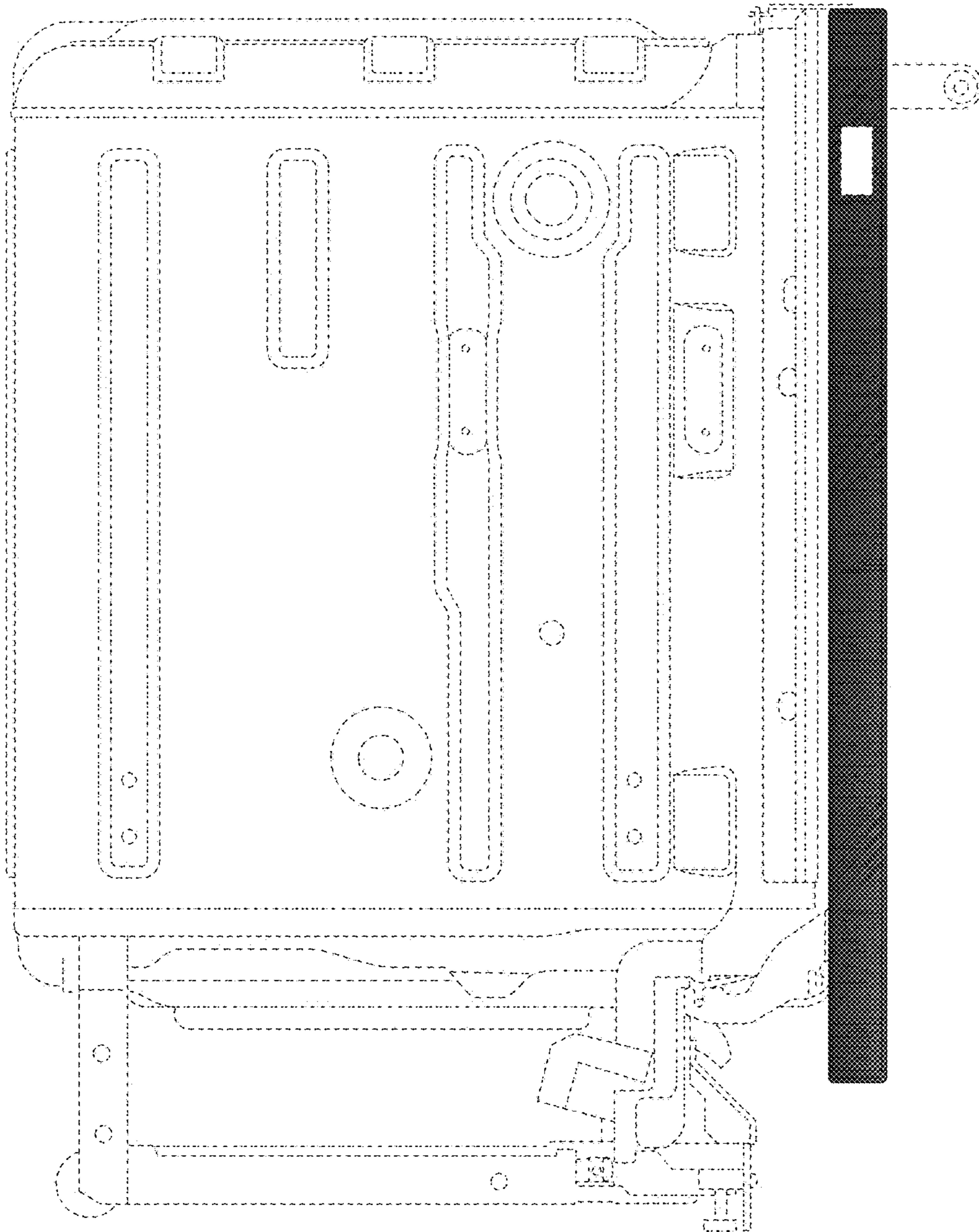


FIG. 4

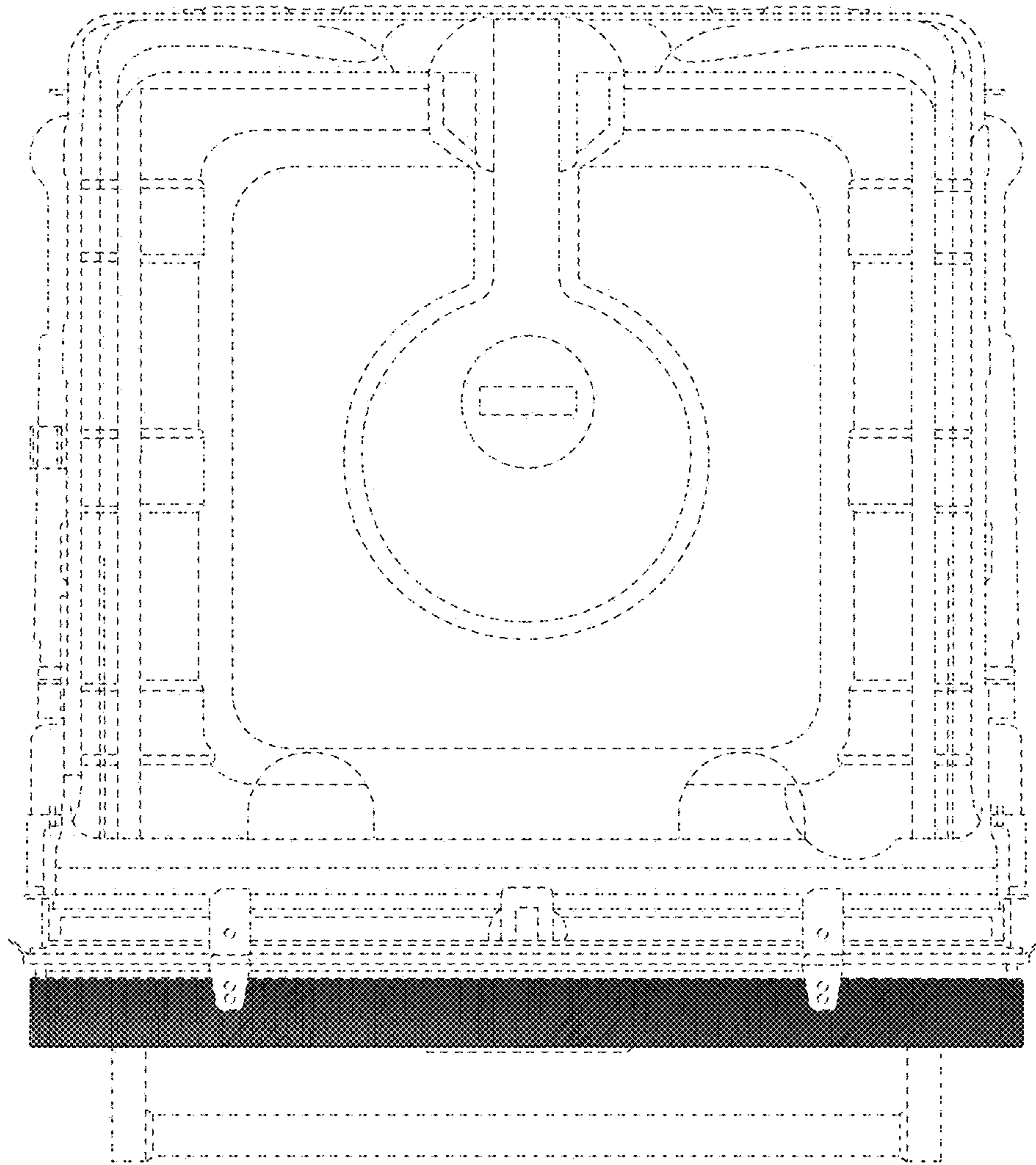


FIG. 5

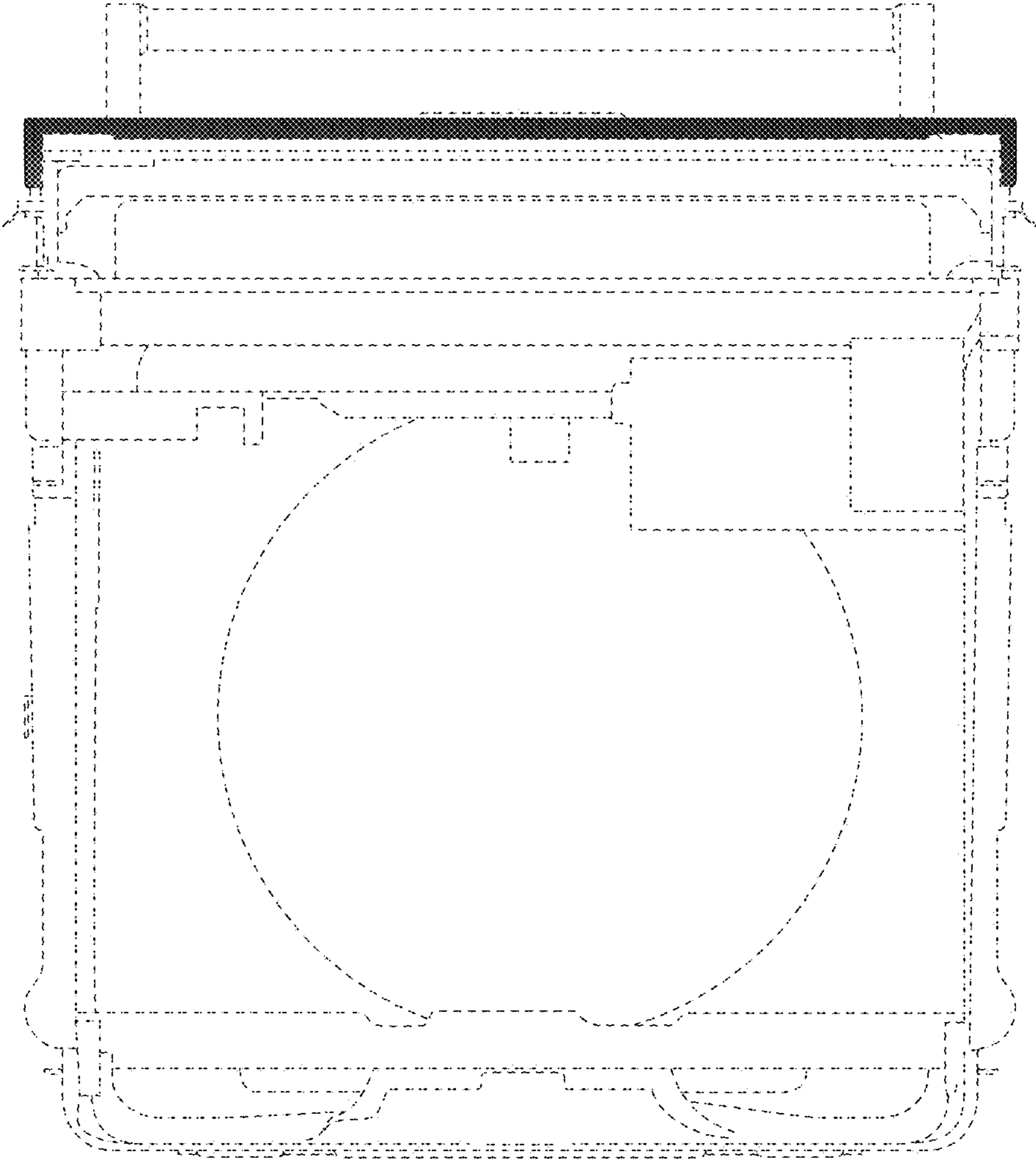


FIG. 6