

US00D860541S

(12) **United States Design Patent** (10) **Patent No.:** **US D860,541 S**
Cardis (45) **Date of Patent:** **** Sep. 17, 2019**

(54) **MAKEUP PALETTE**
 (71) Applicant: **Patricia Cardis**, Hericy (FR)
 (72) Inventor: **Patricia Cardis**, Hericy (FR)
 (**) Term: **15 Years**
 (21) Appl. No.: **29/656,063**
 (22) Filed: **Jul. 10, 2018**

D449,712 S 10/2001 Glemain
 D502,786 S 3/2005 Cheung
 D611,306 S 3/2010 Zack et al.
 D624,360 S 9/2010 Leavelle
 D625,960 S 10/2010 Lipfert et al.
 D688,007 S 8/2013 Sarao et al.
 D770,857 S * 11/2016 Davidson, IV D7/553.6
 D778,501 S 2/2017 Tokko
 D795,577 S 8/2017 Brown-Gayles
 D824,597 S * 7/2018 Cardis D28/76
 2006/0042991 A1 3/2006 White West
 (Continued)

Related U.S. Application Data

(63) Continuation of application No. 29/566,026, filed on May 26, 2016, now Pat. No. Des. 824,597.
 (51) **LOC (12) Cl.** **28-03**
 (52) **U.S. Cl.**
 USPC **D28/84**
 (58) **Field of Classification Search**
 USPC D28/73, 76-77, 9, 84; D19/103;
 D7/552.1-552.2, 553.6
 CPC A45D 33/26; A45D 33/18; A45D 44/005;
 A45D 44/02; A45D 44/00; A45D 40/24;
 A45D 40/00; B44D 3/02
 See application file for complete search history.

FOREIGN PATENT DOCUMENTS

FR 002734103-0001 7/2015
 FR 002734103-0002 7/2015
 GB 2 134 028 A 8/1984

Primary Examiner — Jennifer Rivard
 (74) *Attorney, Agent, or Firm* — Seed IP Law Group LLP

(57) **CLAIM**

The ornamental design for a makeup palette, as shown and described.

DESCRIPTION

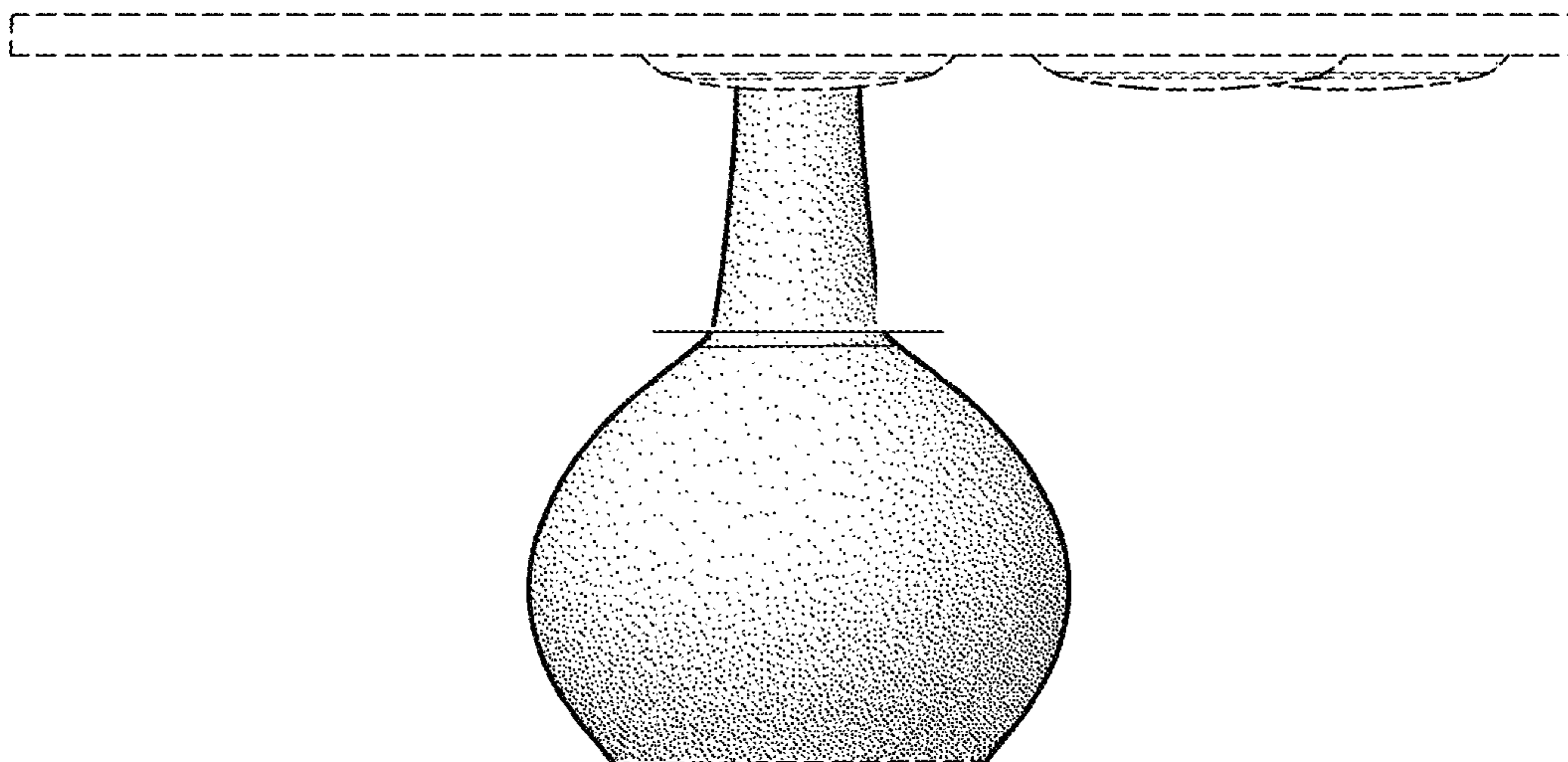
FIG. 1 is a top isometric view of a makeup palette showing an embodiment of my new design.
 FIG. 2 is a bottom isometric view thereof.
 FIG. 3 is a top plan view thereof.
 FIG. 4 is a bottom plan view thereof.
 FIG. 5 is a front elevational view thereof.
 FIG. 6 is a rear elevational view thereof.
 FIG. 7 is a left side elevational view thereof; and,
 FIG. 8 is a right side elevational view thereof.
 Stippling and tangency lines in the drawings represent the three-dimensional contours of the design, and are not intended to indicate surface decoration. The broken lines shown in the drawings illustrate portions of the makeup palette and form no part of the claimed design.

1 Claim, 5 Drawing Sheets

(56) **References Cited**

U.S. PATENT DOCUMENTS

D150,279 S 7/1948 Wies
 2,511,537 A 6/1950 Migdow
 3,924,733 A 12/1975 DeLong
 4,046,250 A 9/1977 Amezcuca
 D280,137 S 8/1985 Guttenplan et al.
 4,735,306 A * 4/1988 Smit B44D 3/02
 206/1.8
 4,884,680 A 12/1989 Israel et al.
 4,911,642 A 3/1990 Knowles
 D361,223 S 8/1995 Sanson
 D393,181 S * 4/1998 Panta D7/552.2
 D393,775 S * 4/1998 Otero D7/553.6
 5,960,982 A 10/1999 Perlis et al.



(56)

References Cited

U.S. PATENT DOCUMENTS

2006/0283719 A1 12/2006 Surabischwili
2011/0198356 A1* 8/2011 Lee B44D 3/02
220/570
2014/0305466 A1 10/2014 Silva
2015/0122824 A1 5/2015 Margulis
2016/0143412 A1 5/2016 Klideris
2016/0338469 A1 11/2016 Waitesmith
2017/0080746 A1 3/2017 Borse et al.
2017/0267019 A1* 9/2017 Dirkman B44D 3/02

* cited by examiner

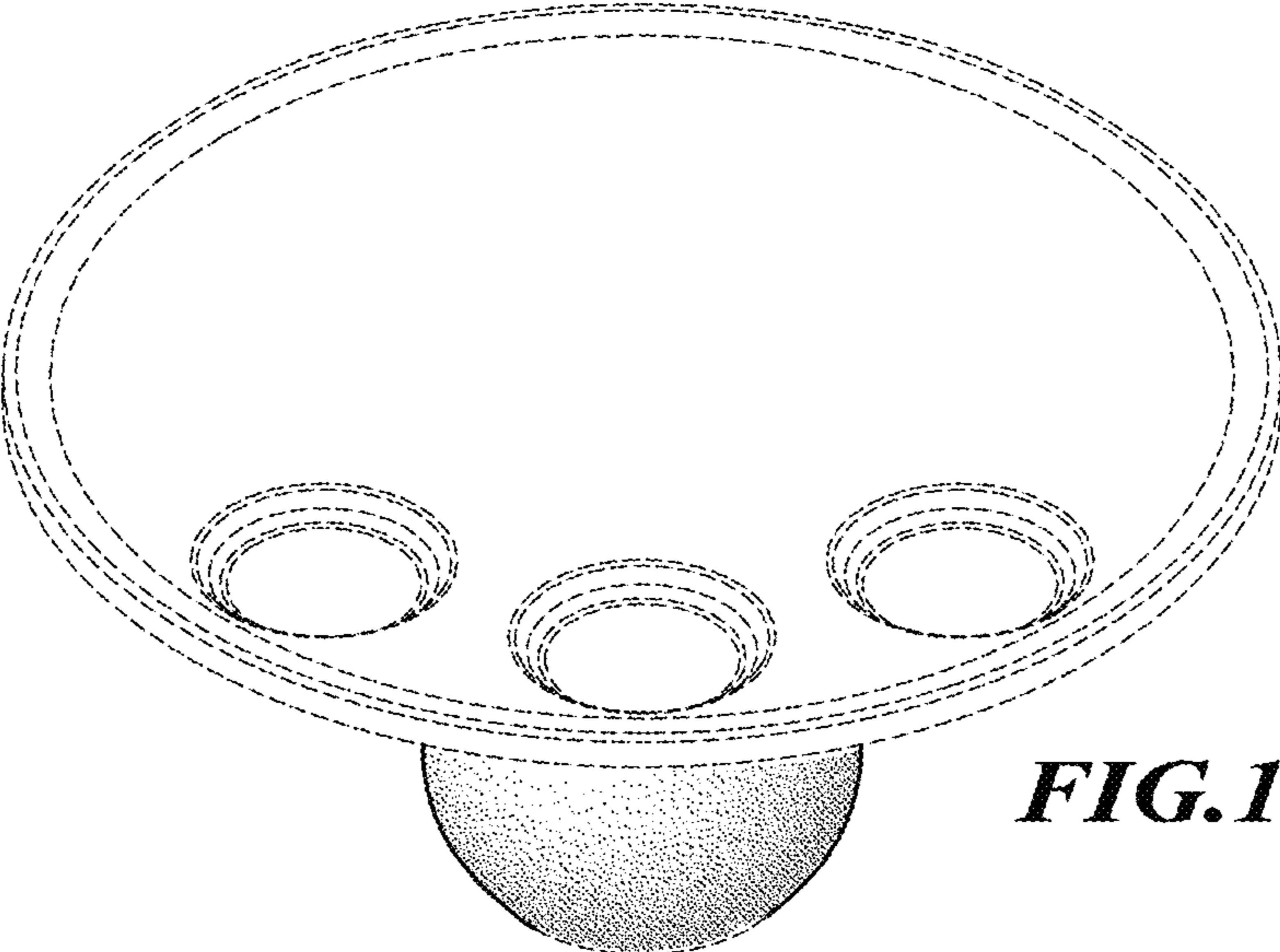


FIG. 1

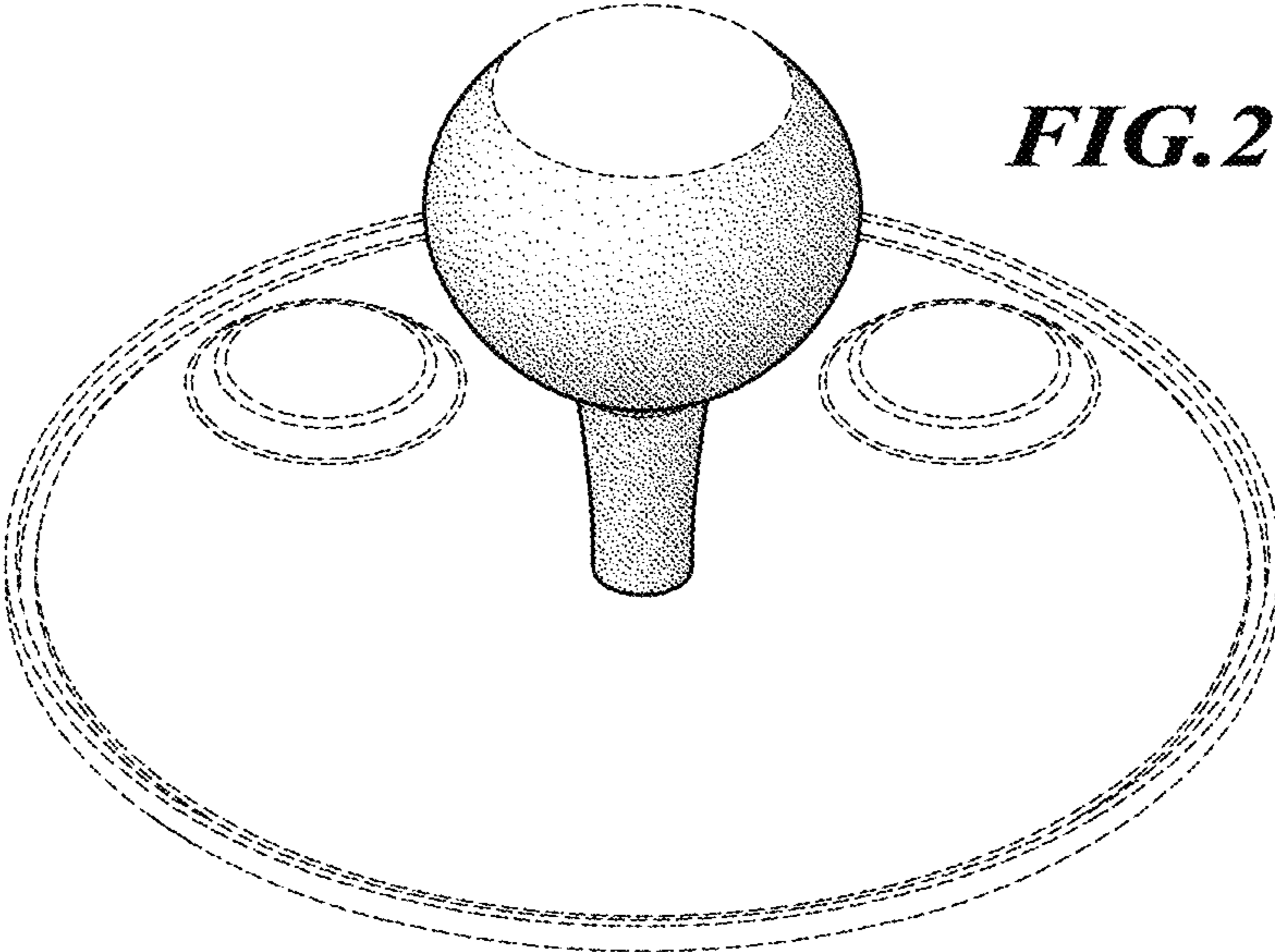


FIG. 2

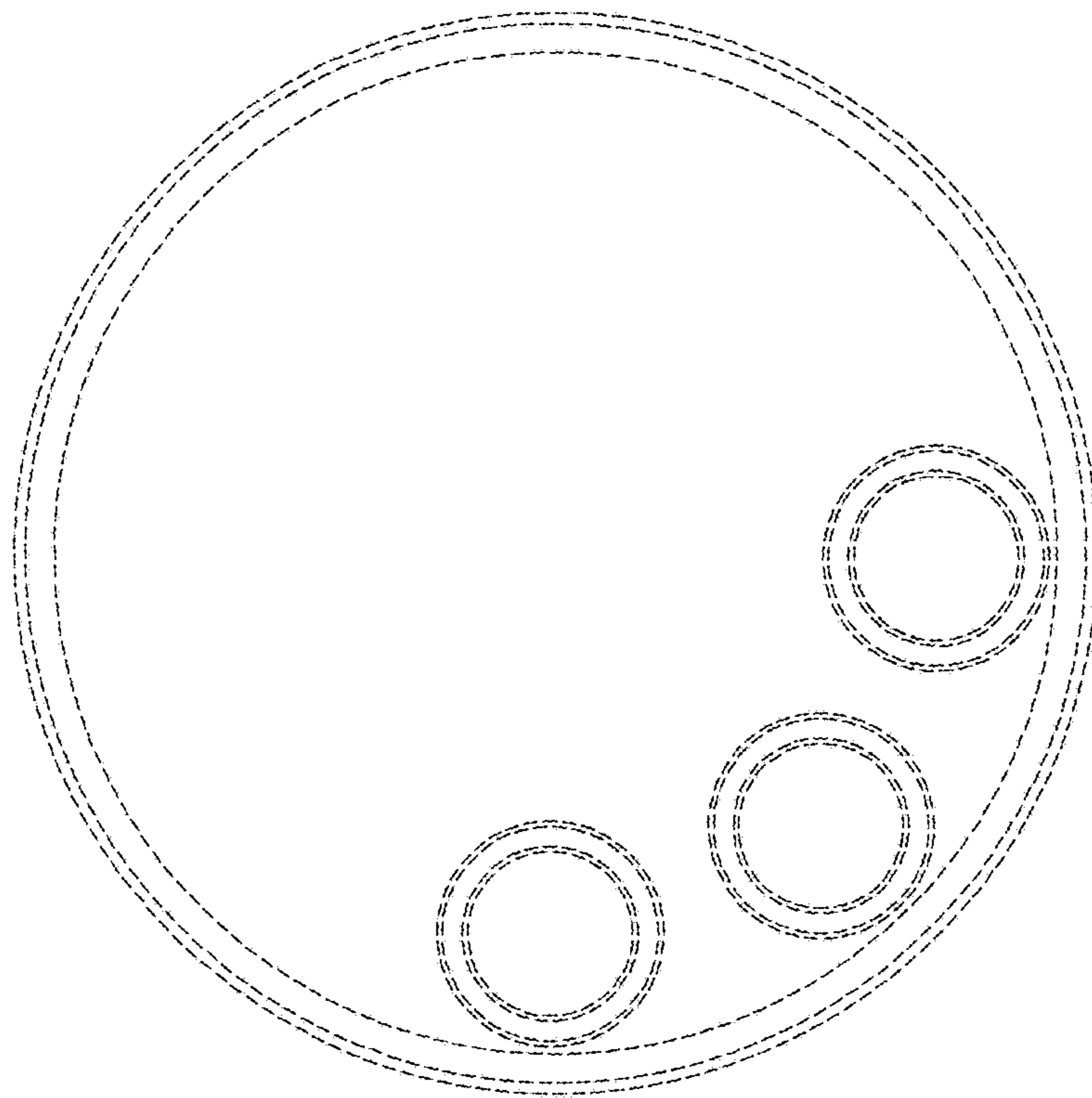


FIG. 3

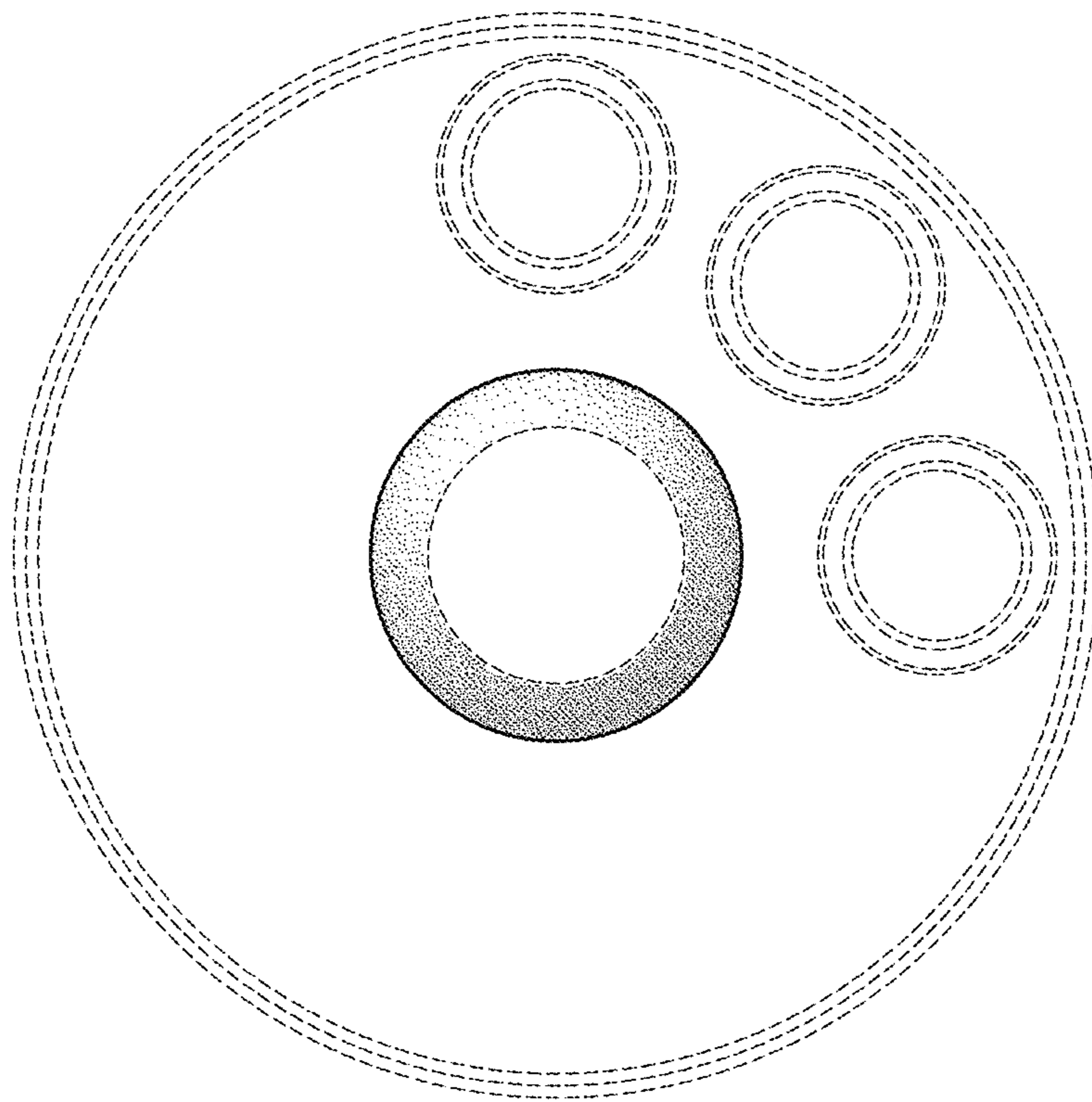


FIG. 4

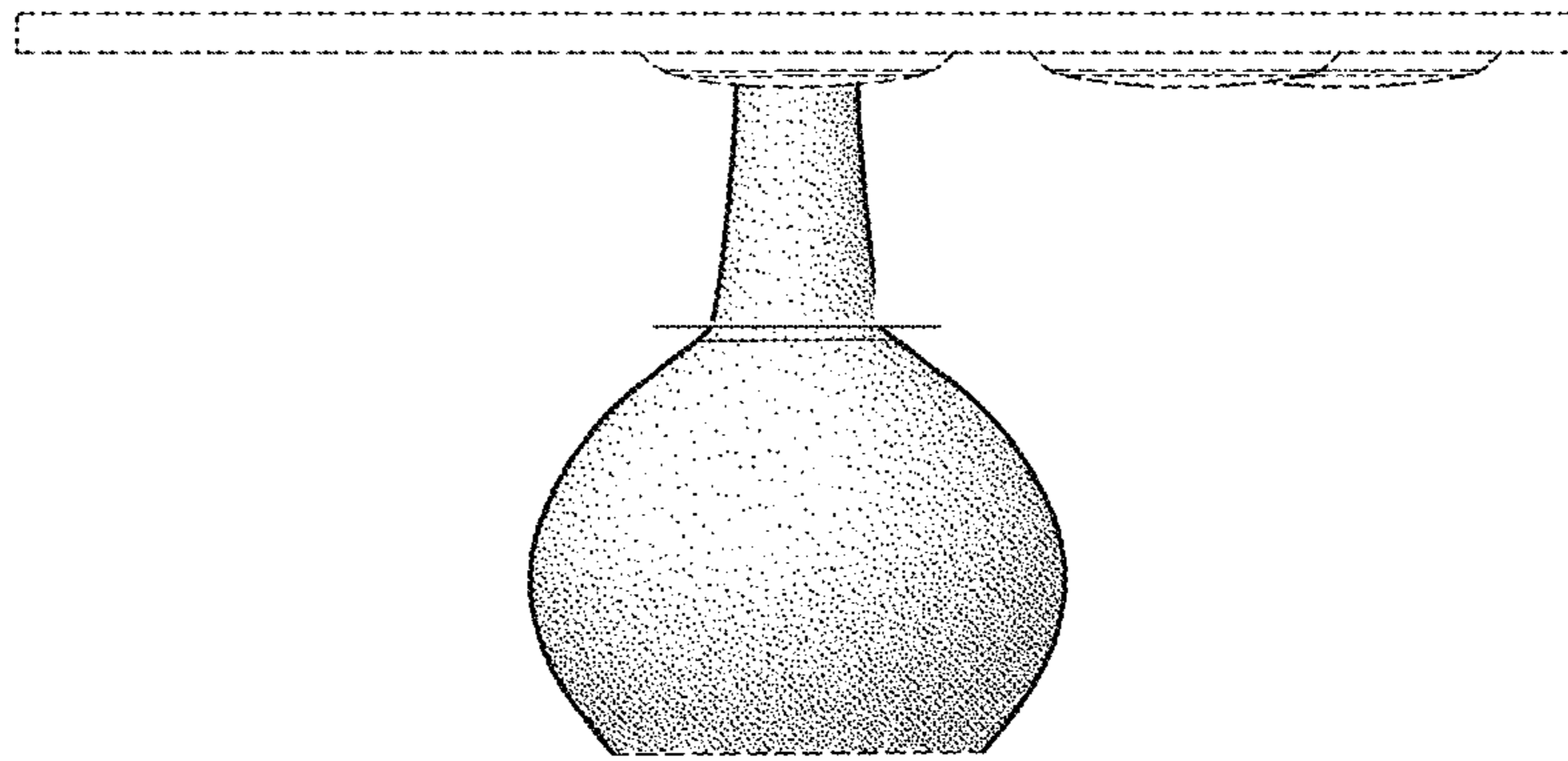


FIG. 5

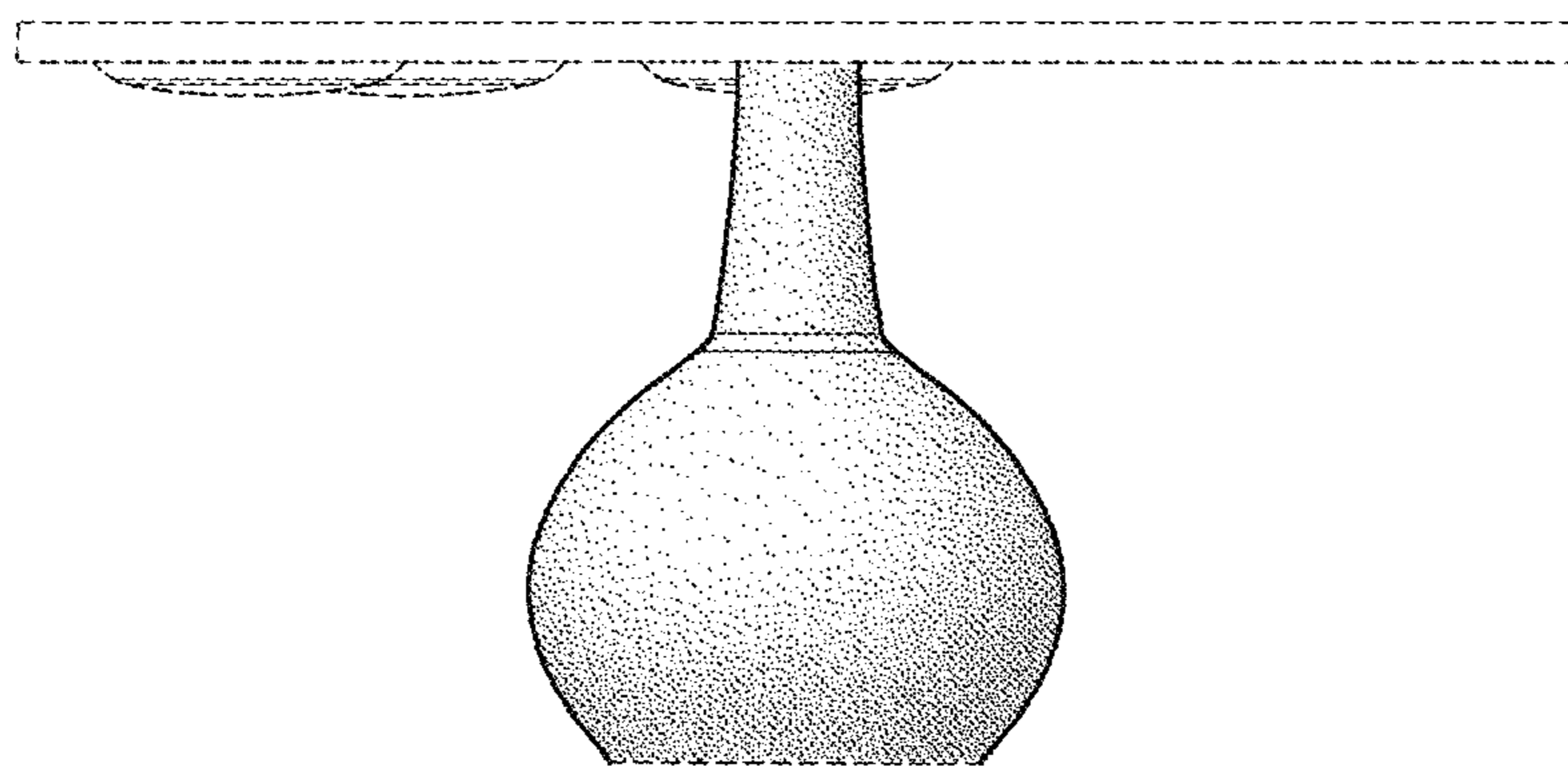


FIG. 6

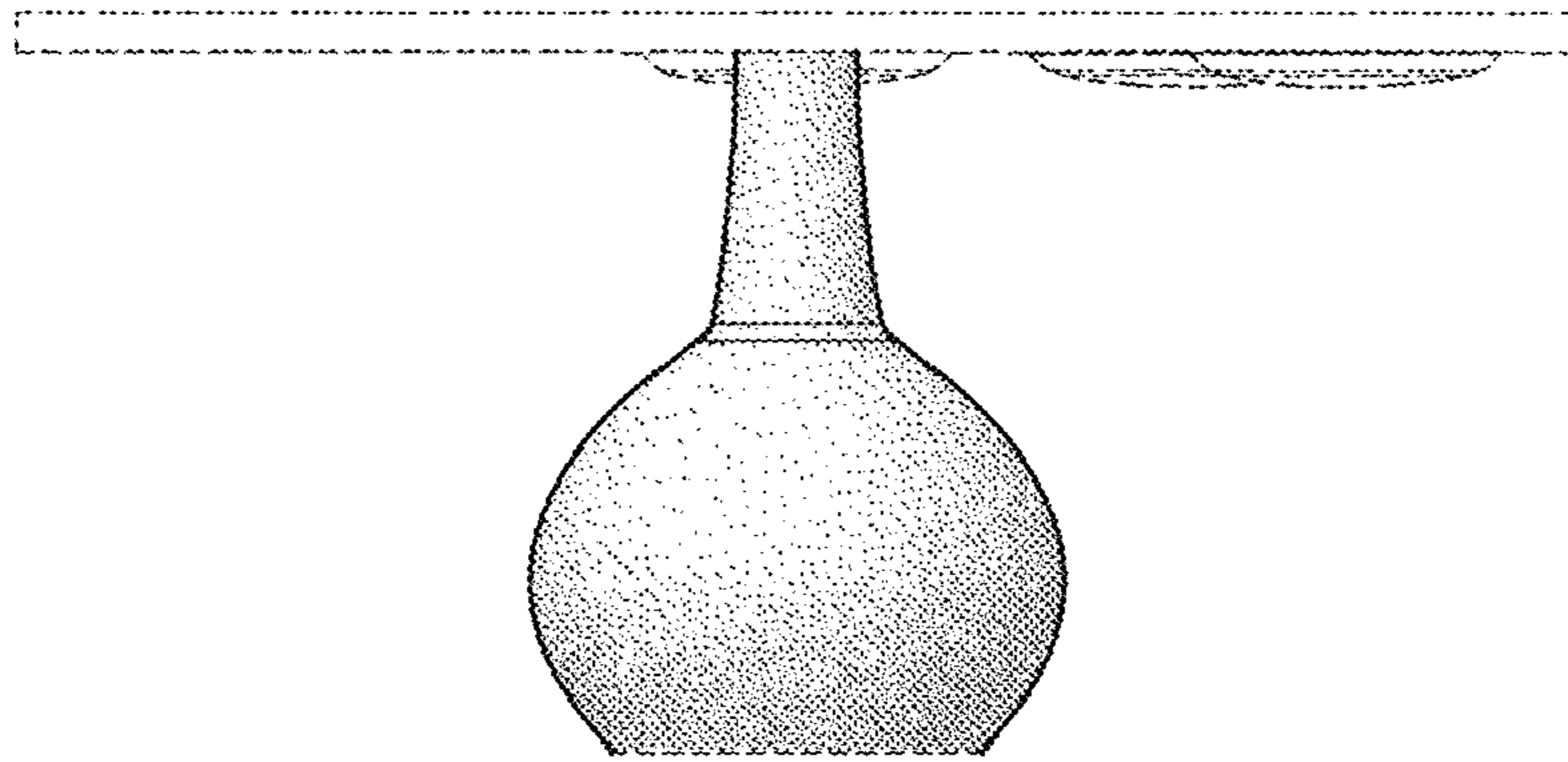


FIG. 7

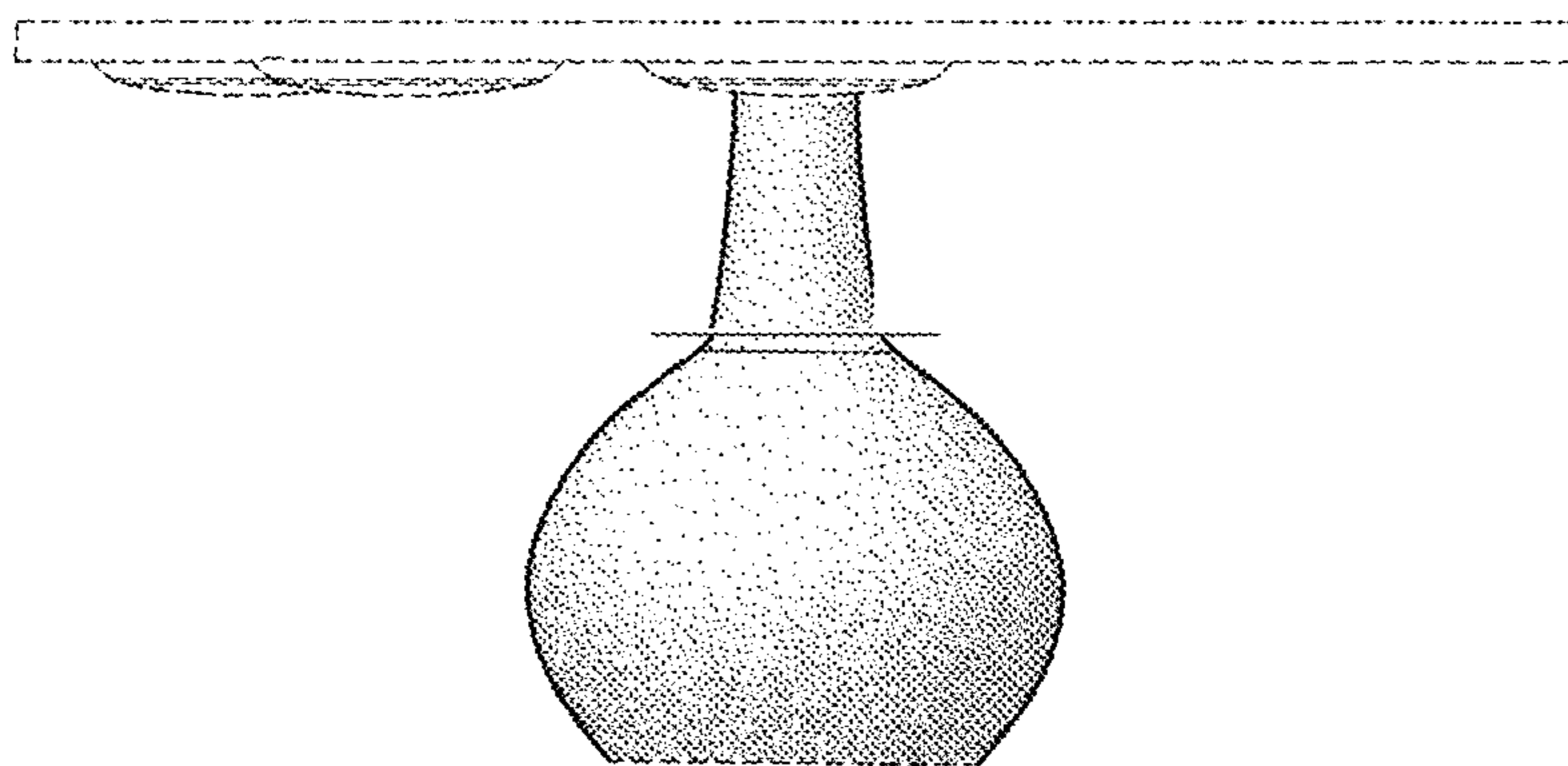


FIG. 8