

US00D860540S

(12) **United States Design Patent** (10) **Patent No.:** **US D860,540 S**
Cardis (45) **Date of Patent:** **** Sep. 17, 2019**

(54) **MAKEUP PALETTE**
(71) Applicant: **Patricia Cardis**, Hericy (FR)
(72) Inventor: **Patricia Cardis**, Hericy (FR)
(**) Term: **15 Years**
(21) Appl. No.: **29/656,060**
(22) Filed: **Jul. 10, 2018**

D449,712 S 10/2001 Glemain
D502,786 S 3/2005 Cheung
D611,306 S 3/2010 Zack et al.
D624,360 S 9/2010 Leavelle
D625,960 S 10/2010 Lipfert et al.
D688,007 S 8/2013 Sarao et al.
D770,857 S * 11/2016 Davidson, IV D7/553.6
D778,501 S 2/2017 Tokko
D795,577 S 8/2017 Brown-Gayles
(Continued)

Related U.S. Application Data

(63) Continuation of application No. 29/566,026, filed on May 26, 2016, now Pat. No. Des. 824,597.
(51) **LOC (12) Cl.** **28-03**
(52) **U.S. Cl.**
USPC **D28/84**; D28/9; D19/103
(58) **Field of Classification Search**
USPC D28/73, 76-77, 9, 84; D19/103;
D7/552.1-552.2, 553.6
CPC A45D 33/26; A45D 33/18; A45D 44/005;
A45D 44/02; A45D 44/00; A45D 40/24;
A45D 40/00; B44D 3/02
See application file for complete search history.

FOREIGN PATENT DOCUMENTS

FR 002734103-0001 7/2015
FR 002734103-0002 7/2015
GB 2 134 028 A 8/1984

Primary Examiner — Jennifer Rivard

(74) *Attorney, Agent, or Firm* — Seed IP Law Group LLP

(57) **CLAIM**

The ornamental design for a makeup palette, as shown and described.

DESCRIPTION

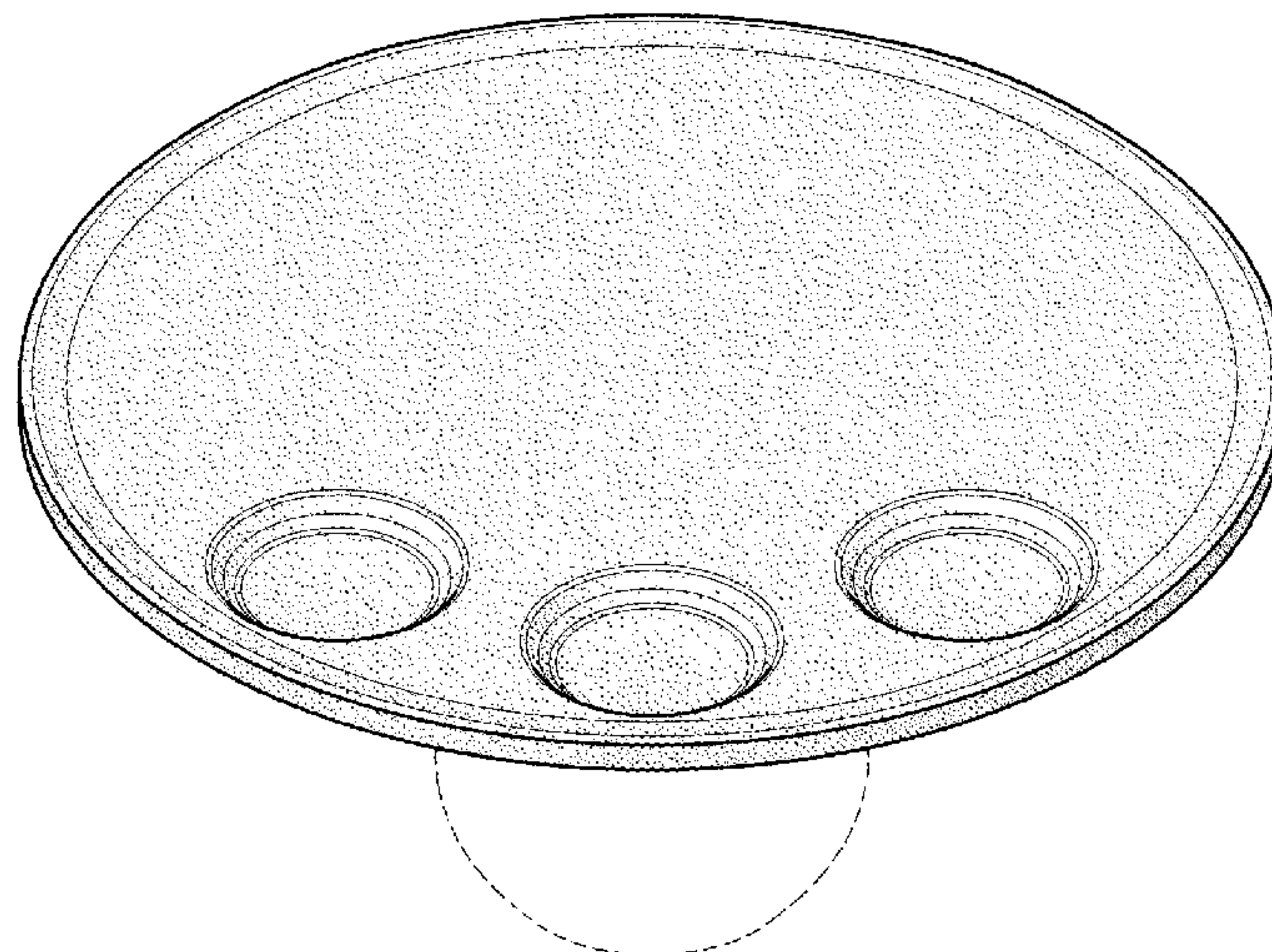
FIG. 1 is a top isometric view of a makeup palette showing an embodiment of my new design.
FIG. 2 is a bottom isometric view thereof.
FIG. 3 is a top plan view thereof.
FIG. 4 is a cross-sectional view thereof taken along line 4-4 in FIG. 3.
FIG. 5 is a bottom plan view thereof.
FIG. 6 is a front elevational view thereof.
FIG. 7 is a rear elevational view thereof.
FIG. 8 is a left side elevational view thereof; and,
FIG. 9 is a right side elevational view thereof.
Stippling and tangency lines in the drawings represent the three-dimensional contours of the design, and are not intended to indicate surface decoration. The broken lines shown in the drawings illustrate a portion of the makeup palette and form no part of the claimed design.

(56) **References Cited**

U.S. PATENT DOCUMENTS

D150,279 S 7/1948 Wies
2,511,537 A 6/1950 Migdow
3,924,733 A 12/1975 DeLong
4,046,250 A 9/1977 Amezcua
D280,137 S 8/1985 Guttenplan et al.
4,735,306 A * 4/1988 Smit B44D 3/02
206/1.8
4,884,680 A 12/1989 Israel et al.
4,911,642 A 3/1990 Knowles
D361,223 S 8/1995 Sanson
D393,181 S * 4/1998 Panta D7/549
D393,775 S * 4/1998 Otero D7/553.6
5,960,982 A 10/1999 Perlis et al.

1 Claim, 5 Drawing Sheets



(56)

References Cited

U.S. PATENT DOCUMENTS

| | | | | | | |
|--------------|----|---|---------|---------------|-------|----------------------|
| D804,325 | S | * | 12/2017 | Thompson | | D9/758 |
| D824,597 | S | * | 7/2018 | Cardis | | D28/76 |
| 2006/0042991 | A1 | | 3/2006 | White West | | |
| 2006/0283719 | A1 | | 12/2006 | Surabischwili | | |
| 2011/0198356 | A1 | * | 8/2011 | Lee | | B44D 3/02 220/570 |
| 2014/0305466 | A1 | | 10/2014 | Silva | | |
| 2015/0122824 | A1 | | 5/2015 | Margulis | | |
| 2016/0143412 | A1 | | 5/2016 | Klideris | | |
| 2016/0338469 | A1 | | 11/2016 | Waitesmith | | |
| 2017/0080746 | A1 | | 3/2017 | Borse et al. | | |
| 2017/0267019 | A1 | * | 9/2017 | Dirkman | | B44D 3/02 |

* cited by examiner

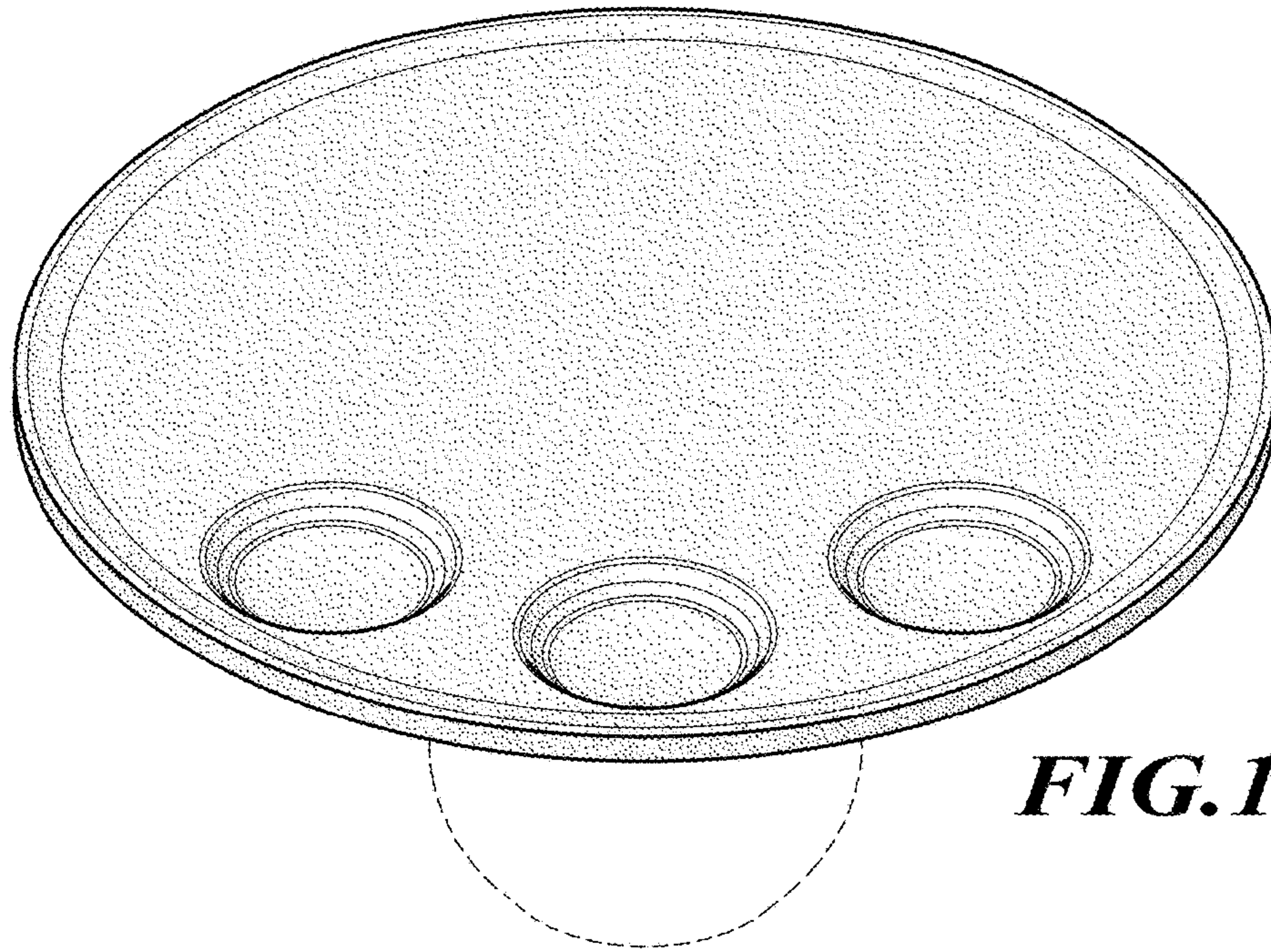


FIG. 1

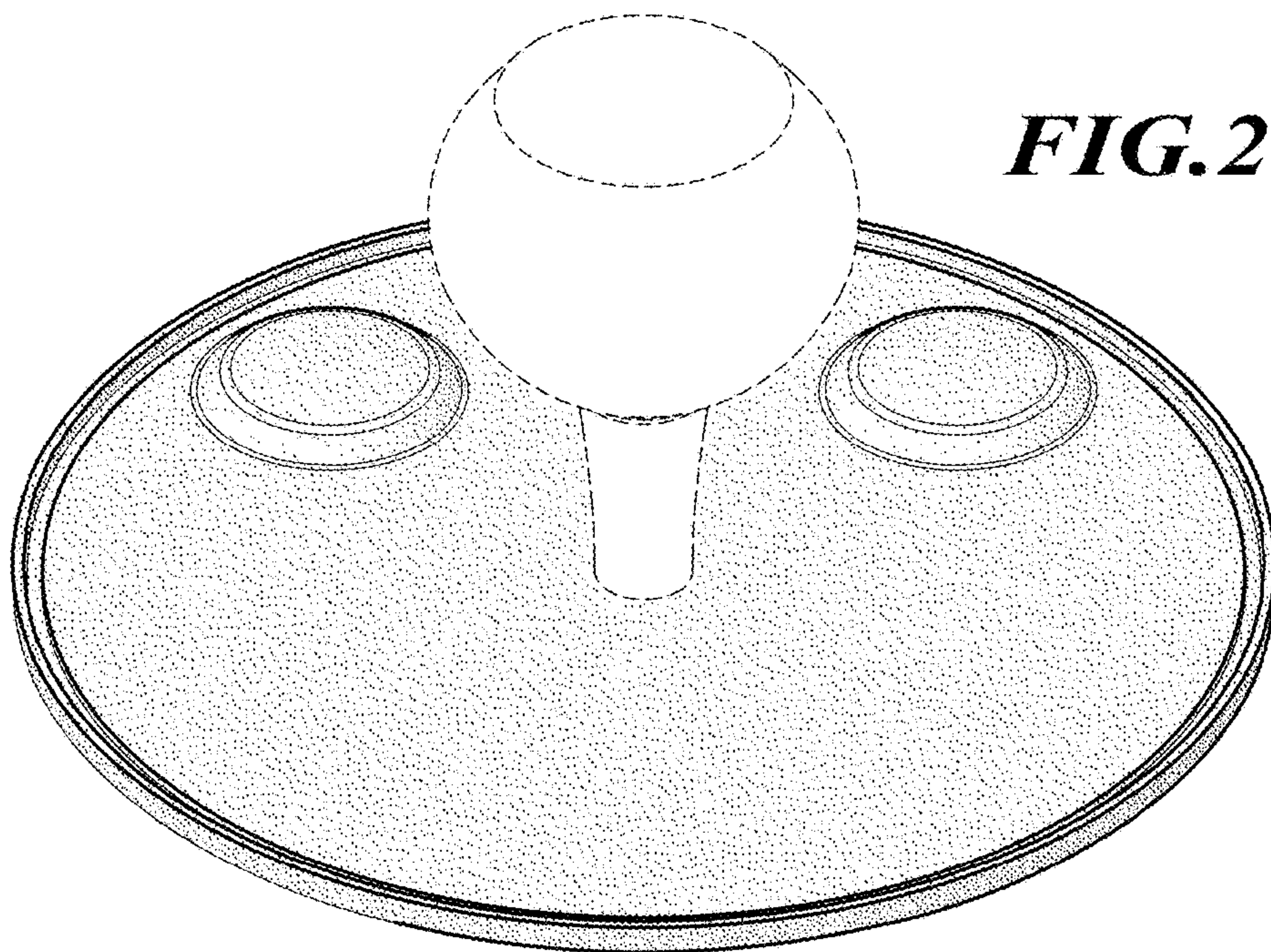


FIG. 2

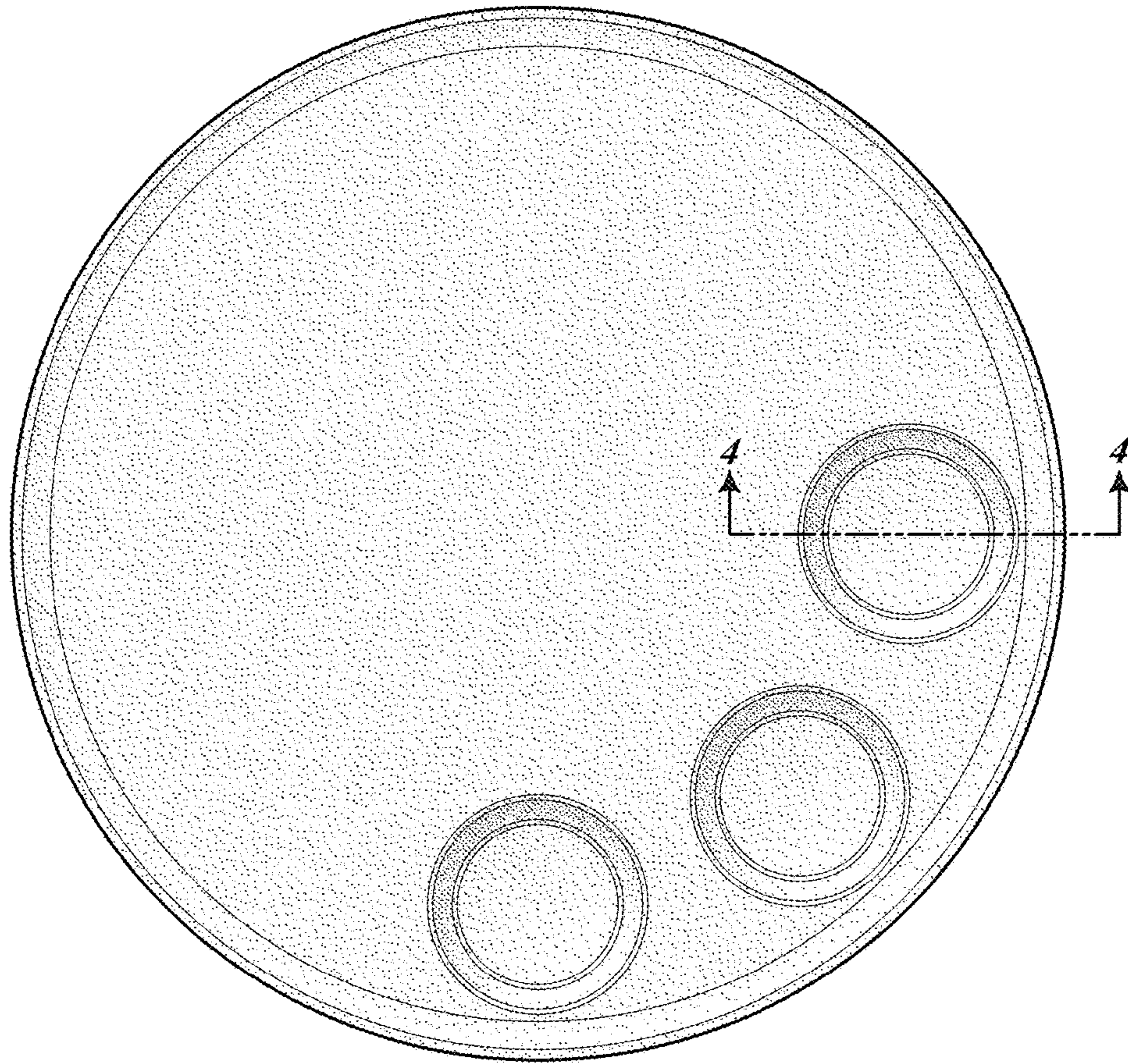


FIG. 3

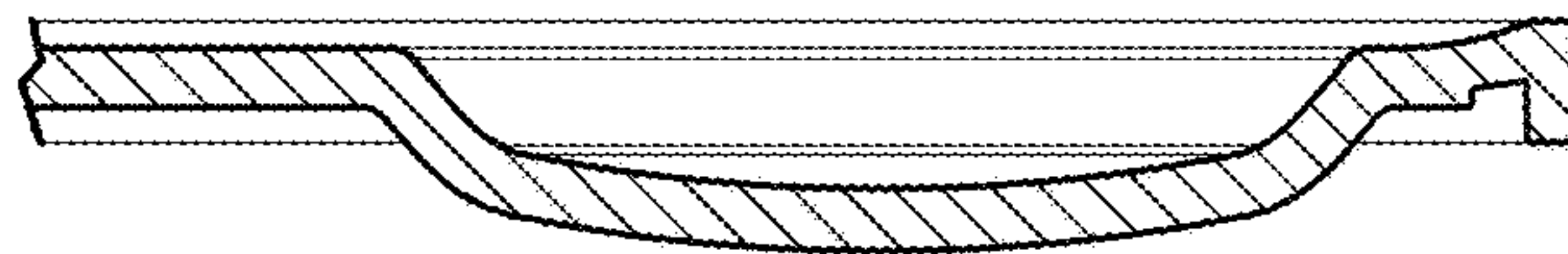


FIG. 4

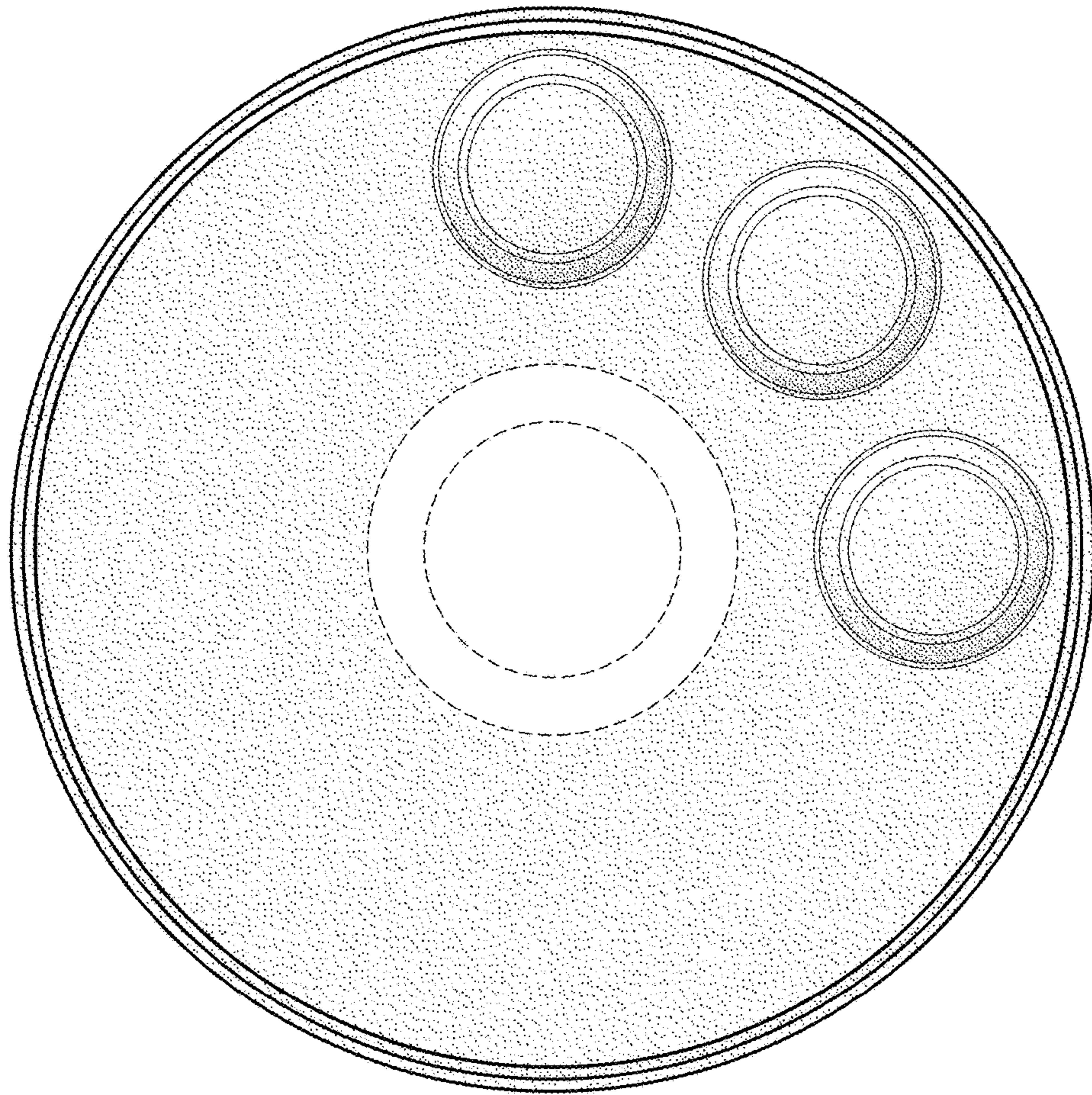


FIG. 5

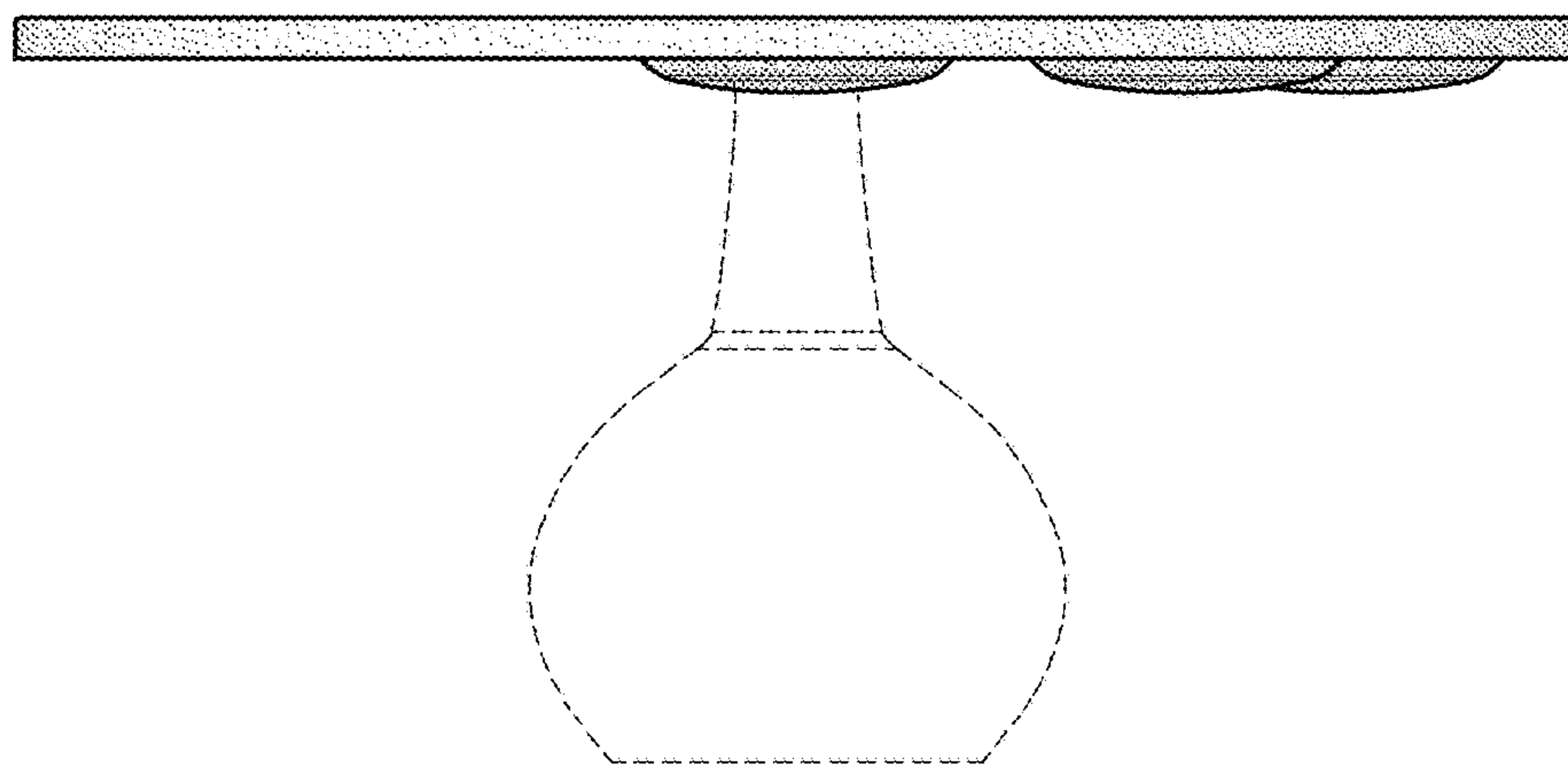


FIG. 6

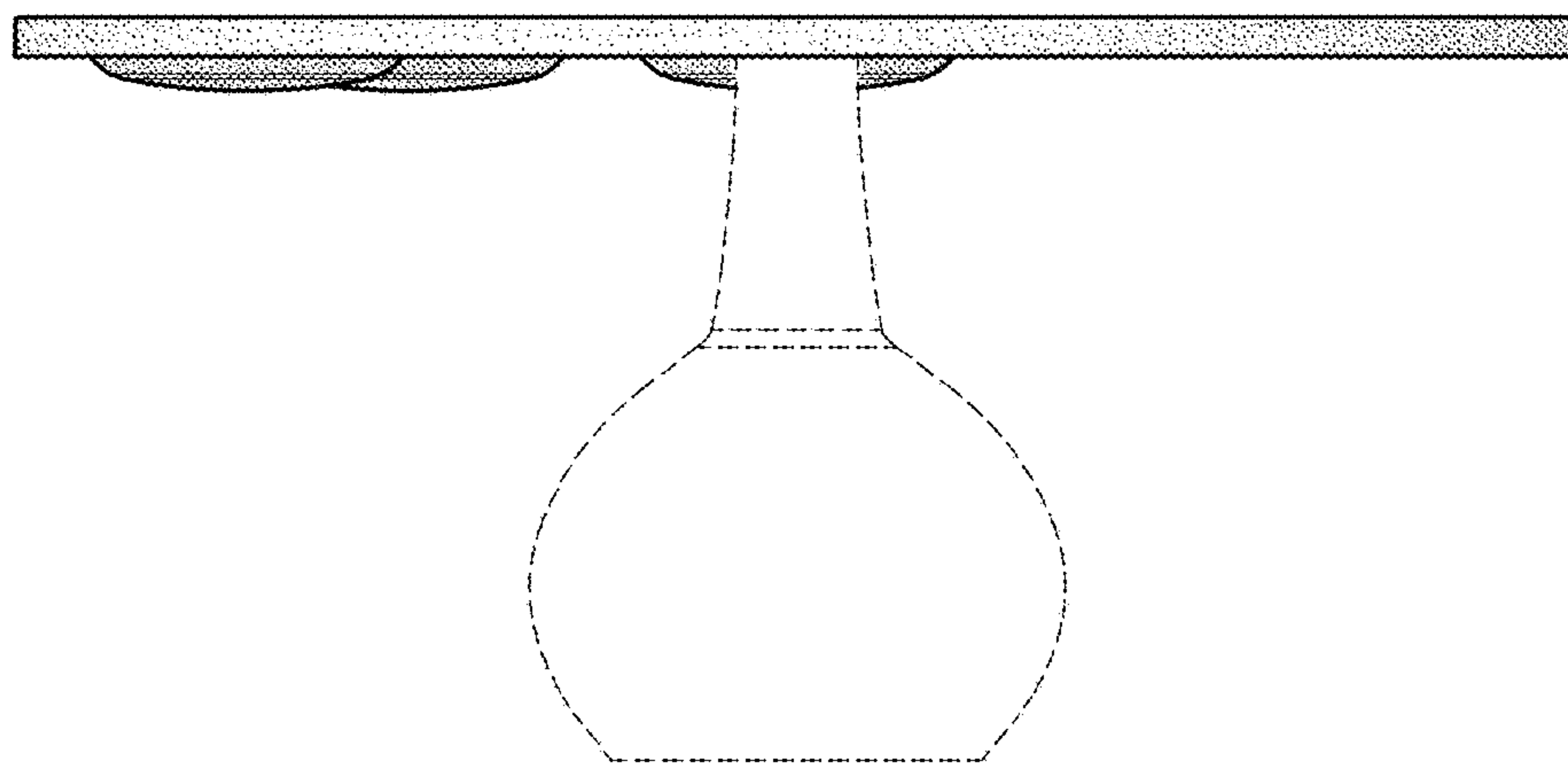


FIG. 7

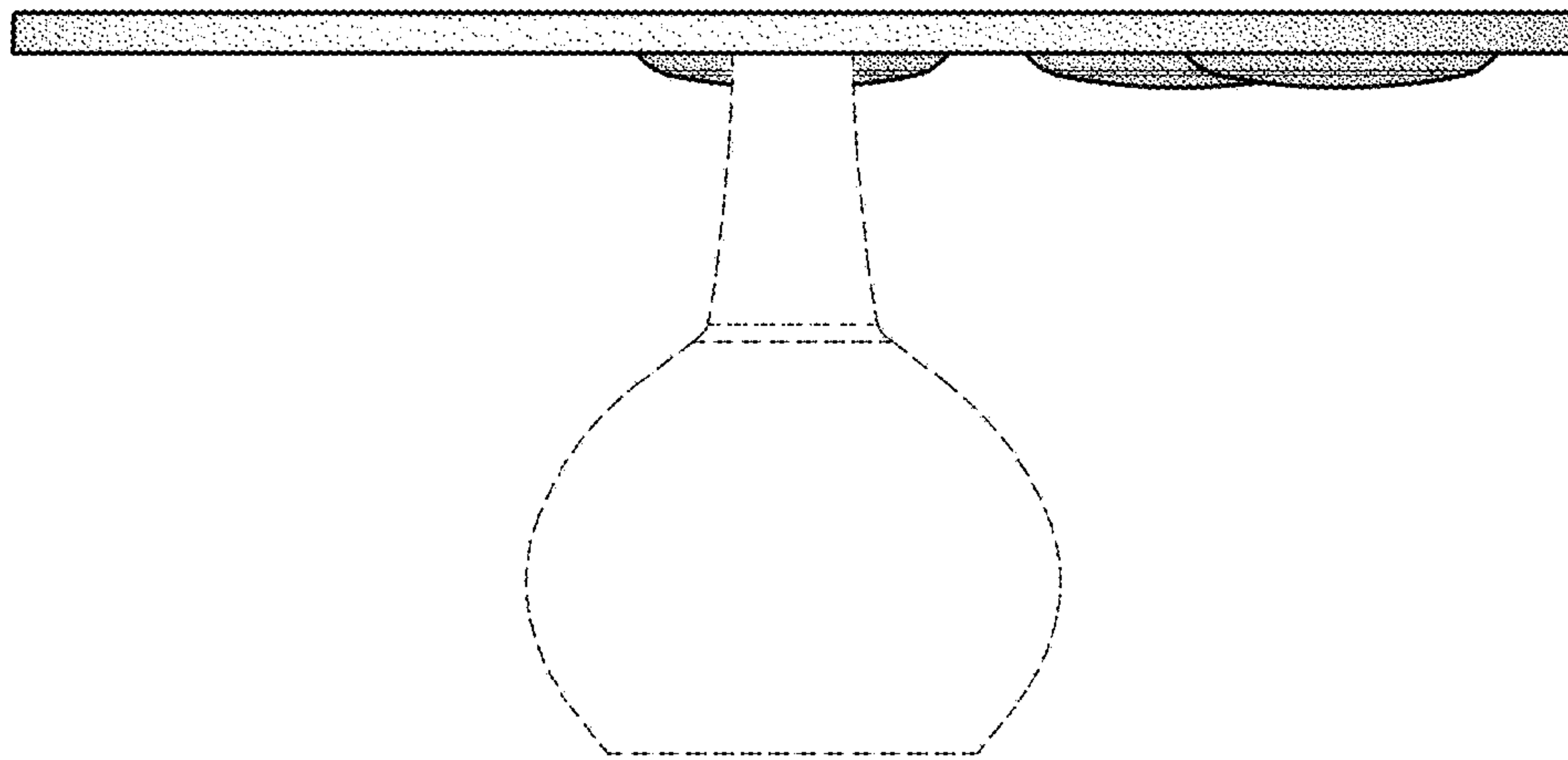


FIG. 8

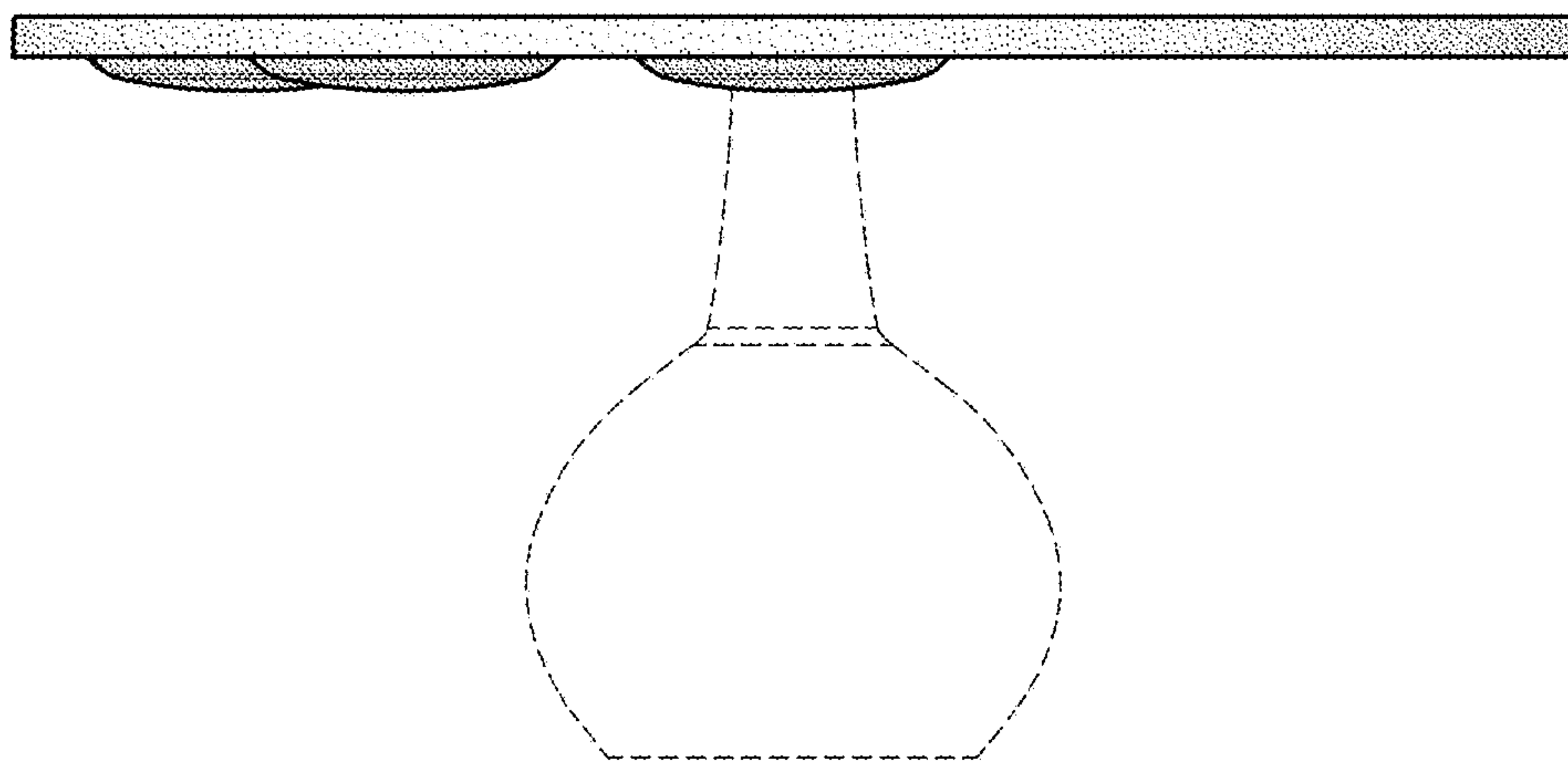


FIG. 9