



US00D860538S

(12) **United States Design Patent**
Kim et al.

(10) **Patent No.:** **US D860,538 S**

(45) **Date of Patent:** **** Sep. 17, 2019**

(54) **CONTAINER FOR BEAUTY SUPPLIES**

(71) Applicant: **JC Korea Corp.**, Gyeonggi-do (KR)

(72) Inventors: **Dong Sung Kim**, Gyeonggi-do (KR);
Kyong Sik Choi, Gyeonggi-do (KR)

(73) Assignee: **KMC Exim Corp.**, Port Washington,
NY (US)

(**) Term: **15 Years**

(21) Appl. No.: **29/622,118**

(22) Filed: **Oct. 13, 2017**

(51) **LOC (12) Cl.** **28-03**

(52) **U.S. Cl.**
USPC **D28/83**

(58) **Field of Classification Search**

USPC D28/73-75, 76-84
CPC A45D 44/18; A45D 33/00; A45D 33/18;
A45D 33/22; A45D 33/24; A45D 33/26;
A45D 40/00; A45D 40/22-221; A45D
40/24; A45D 2200/05-053; A45D
2200/25; A45D 2040/223

See application file for complete search history.

(56) **References Cited**

U.S. PATENT DOCUMENTS

5,095,924 A * 3/1992 Stanfield A45D 44/18
132/310
D469,223 S * 1/2003 Thorpe D28/83

D477,895 S * 7/2003 Goswell D28/83
D621,548 S * 8/2010 Chen D28/83
D688,831 S * 8/2013 Giardina D28/83
D722,724 S * 2/2015 Guor D28/83
2014/0224271 A1* 8/2014 Green A45D 33/22
132/200

* cited by examiner

Primary Examiner — Jennifer Rivard

(74) *Attorney, Agent, or Firm* — Hoffmann & Baron, LLP

(57) **CLAIM**

The ornamental design for a container for beauty supplies,
as shown and described.

DESCRIPTION

FIG. 1 is a top front perspective view of a container for
beauty supplies showing our new design;
FIG. 2 is a top plan view thereof;
FIG. 3 is a bottom plan view thereof;
FIG. 4 is a right side elevation view thereof;
FIG. 5 is a left side elevation view thereof;
FIG. 6 is a front elevation view thereof; and,
FIG. 7 is a rear elevation view thereof.

1 Claim, 6 Drawing Sheets

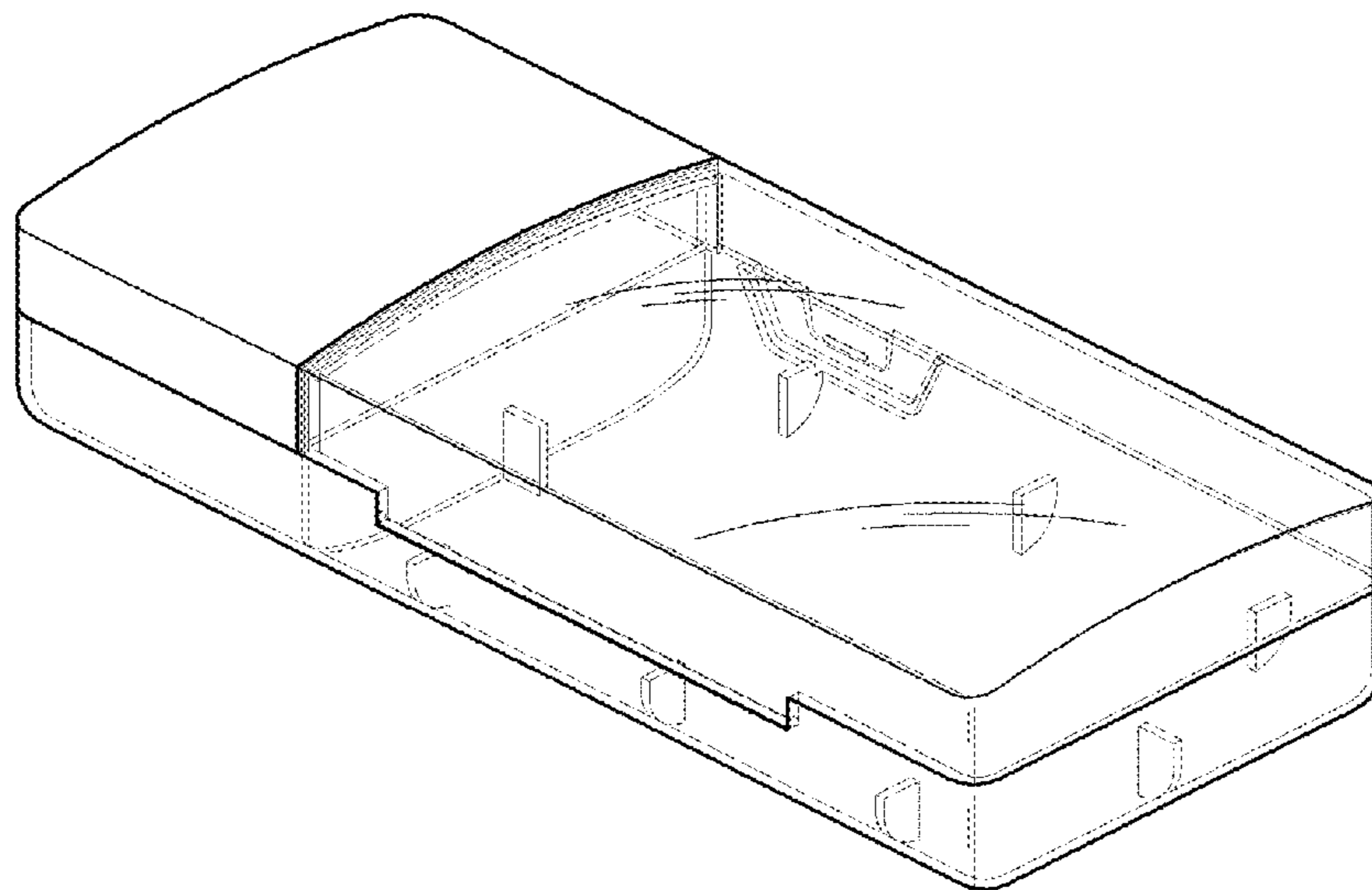


Fig. 1

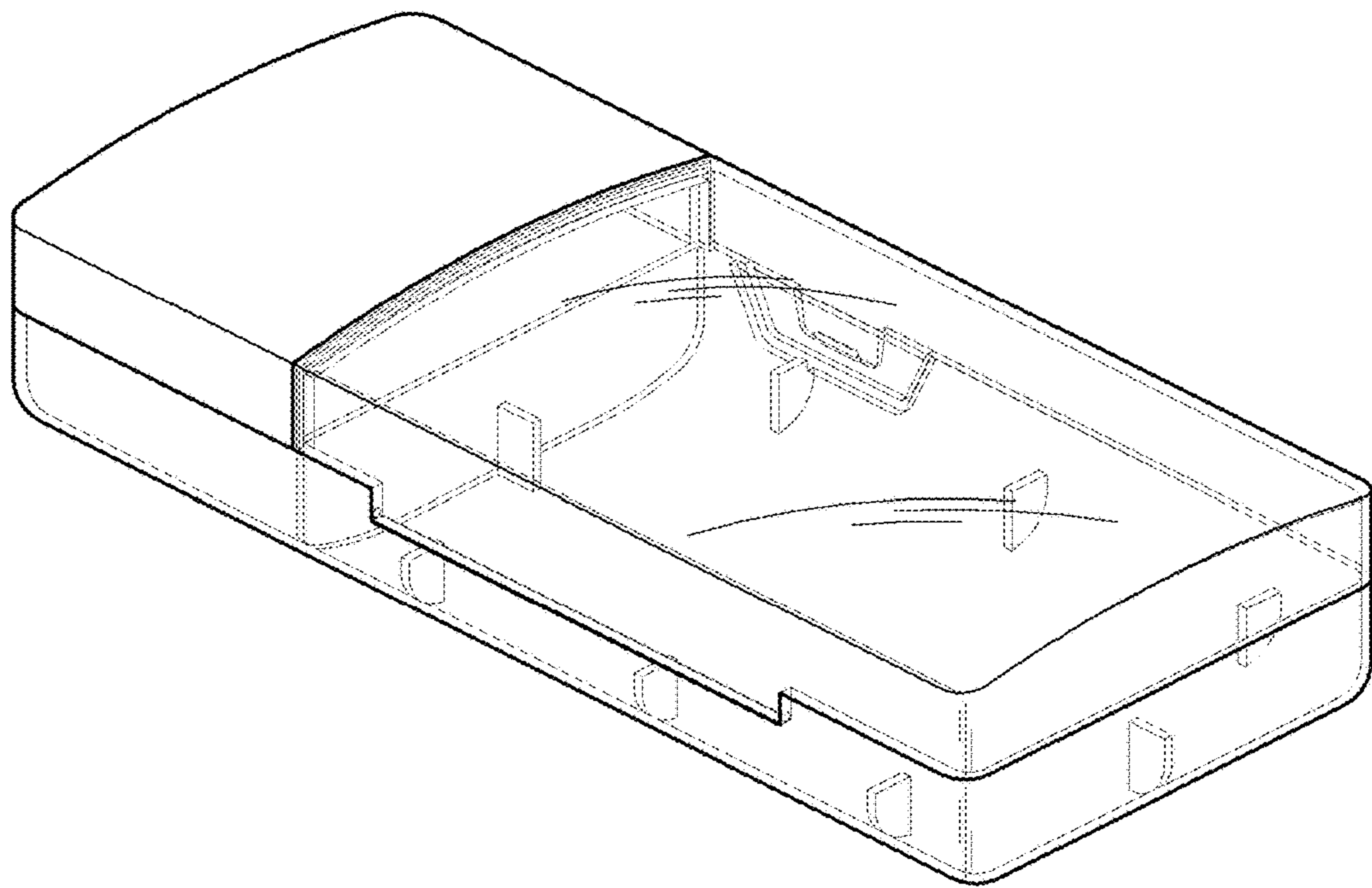


Fig. 2

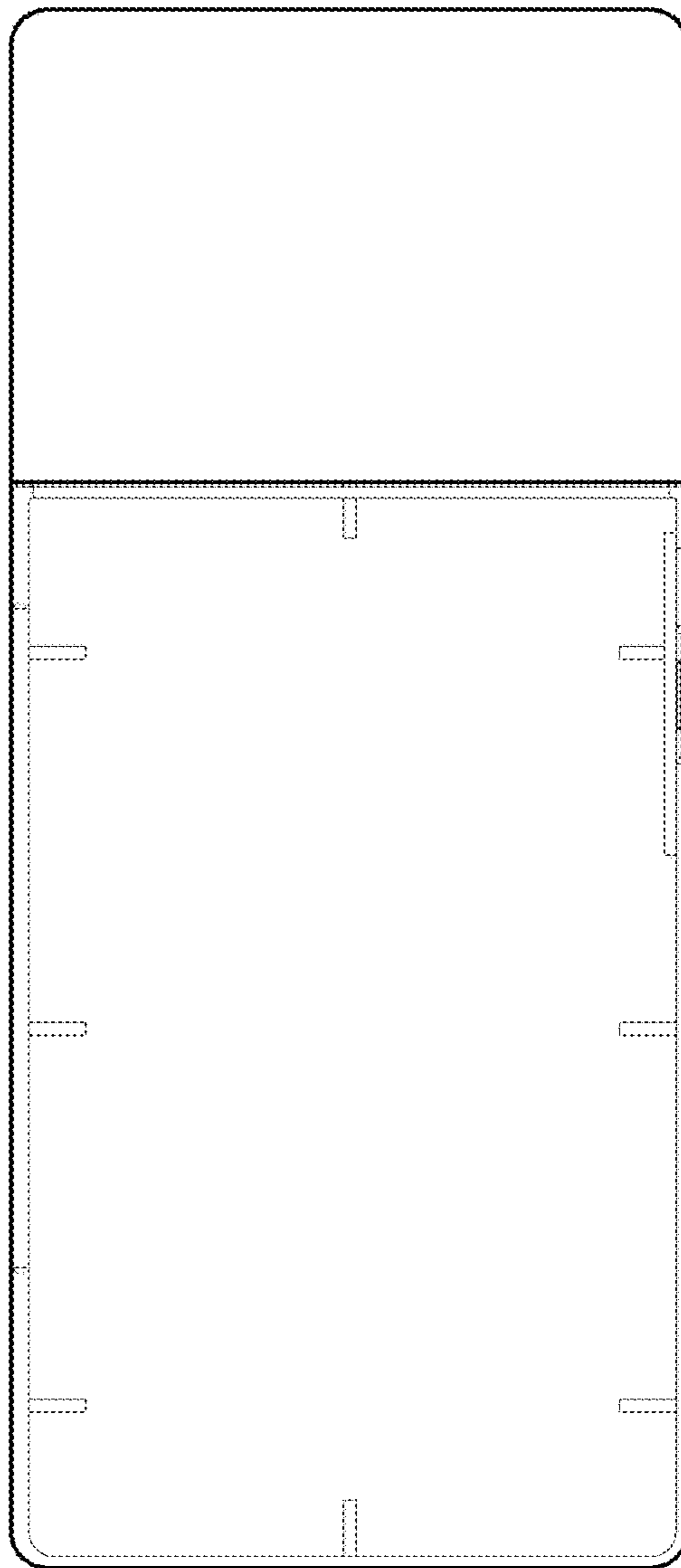


Fig. 3

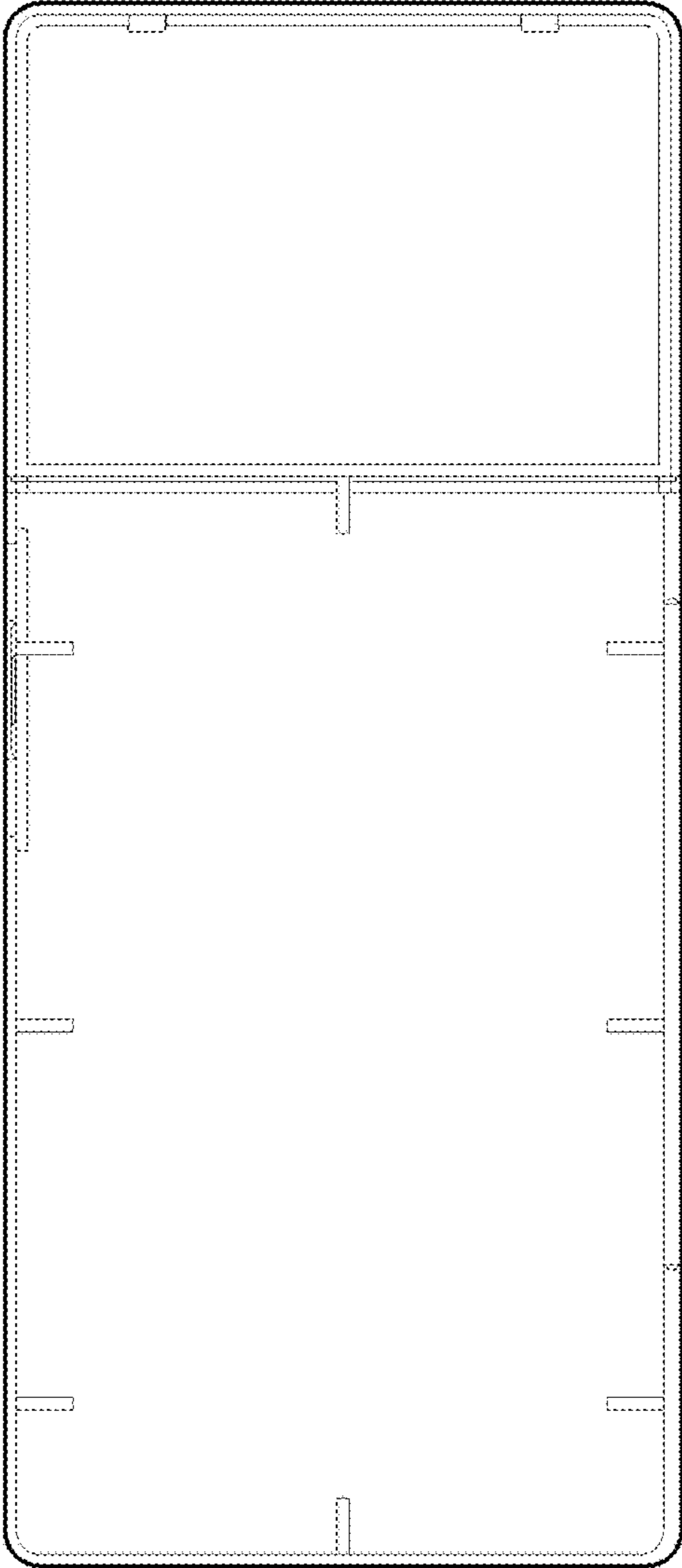


Fig. 4

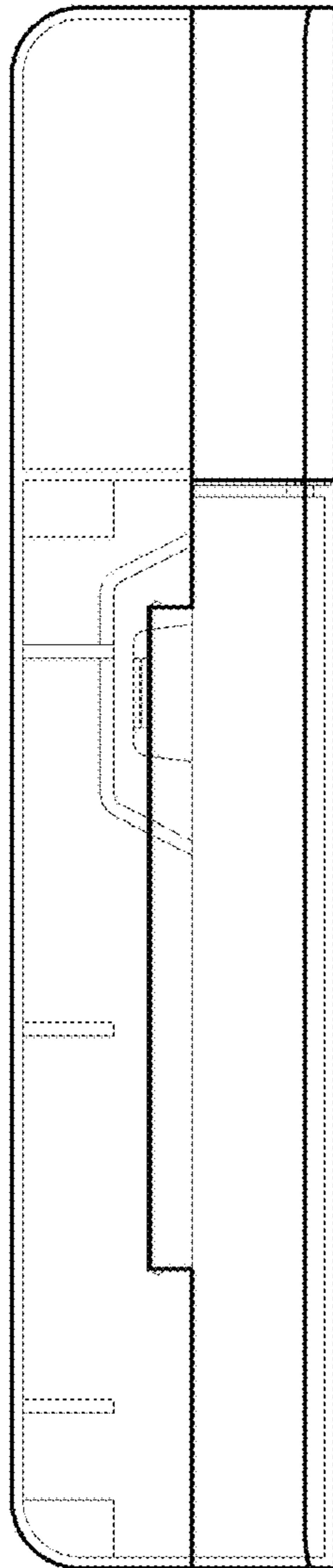


Fig. 5

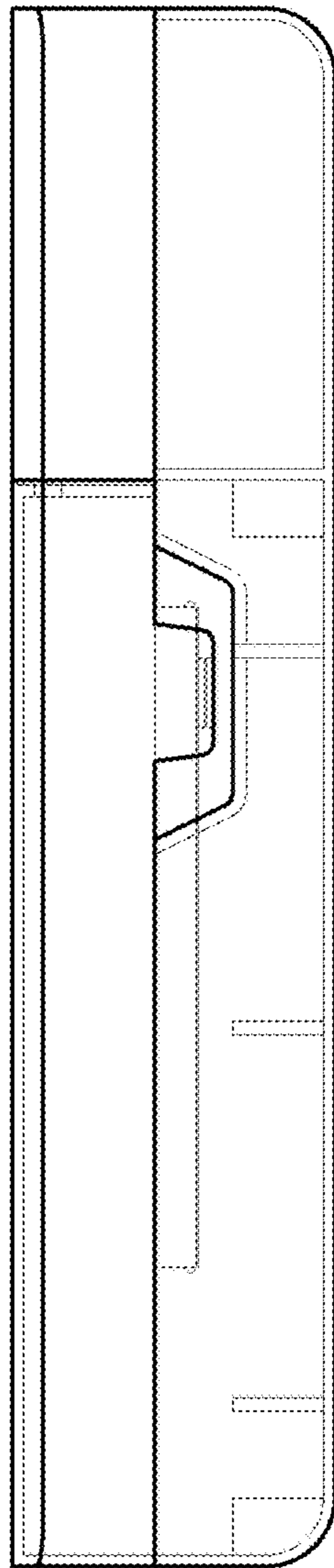


Fig. 6

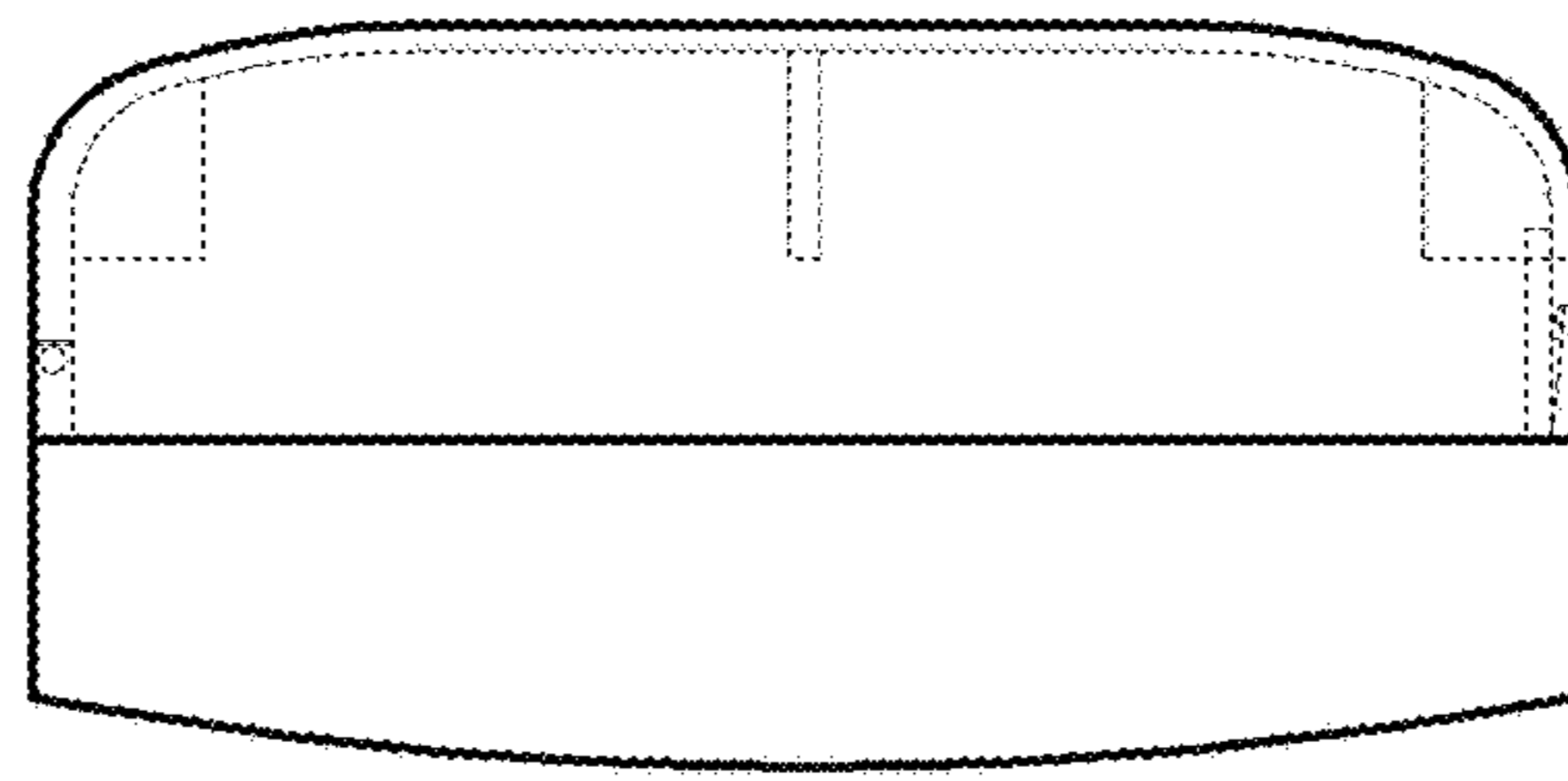


Fig. 7

