



US00D860531S

(12) **United States Design Patent** (10) **Patent No.:** **US D860,531 S**  
**Atkinson et al.** (45) **Date of Patent:** **\*\* \*Sep. 17, 2019**

(54) **ACCESSORY FOR HAIRDRYERS**  
(71) Applicant: **Dyson Technology Limited**, Wiltshire (GB)  
(72) Inventors: **Antoine Francois Atkinson**, Swindon (GB); **Matthew Johnathon Langmead**, Bristol (GB); **Andrea Ee-Va Lim**, Bristol (GB)  
(73) Assignee: **Dyson Technology Limited**, Malmesbury, Wiltshire (GB)

(\*) Notice: This patent is subject to a terminal disclaimer.

(\*\*) Term: **15 Years**

(21) Appl. No.: **29/636,286**

(22) Filed: **Feb. 7, 2018**

(30) **Foreign Application Priority Data**

Aug. 8, 2017 (EM) ..... 004137925-0001

(51) **LOC (12) Cl.** ..... **28-03**

(52) **U.S. Cl.**  
USPC ..... **D28/18**

(58) **Field of Classification Search**

USPC ..... D28/18, 31-33, 13, 15, 21, 28, 29, D28/41-43; D11/3, 4, 17, 26, 27; 34/96-101; 392/380, 383-385; 132/219, 132/107

CPC ..... A45D 20/12; A45D 20/00; A45D 20/10; A45D 20/04; A45D 20/08; A45D 20/122; A45D 20/124; A45D 20/128

See application file for complete search history.

(56) **References Cited**

**U.S. PATENT DOCUMENTS**

D321,411 S \* 11/1991 Moll ..... D28/17  
D322,145 S \* 12/1991 Coignard ..... D28/23

D349,585 S \* 8/1994 Rizzuto, Jr. .... D28/18  
D407,848 S \* 4/1999 Celik ..... D28/13  
D452,044 S \* 12/2001 Goetschi ..... D28/20  
D462,141 S \* 8/2002 Carlucci ..... D28/18  
D528,456 S \* 9/2006 Thompson ..... D11/27  
D591,906 S \* 5/2009 Hsu ..... D28/43  
D617,945 S \* 6/2010 Kim ..... D28/18  
D715,486 S \* 10/2014 Brady ..... A45D 20/12  
D28/18  
D729,102 S \* 5/2015 Becker ..... D11/3  
D736,664 S \* 8/2015 Paradise ..... D11/3  
D783,607 S \* 4/2017 Lee ..... D14/138 R  
D784,614 S \* 4/2017 Stephens ..... D28/18  
D803,086 S \* 11/2017 Gahunia ..... D11/3  
D810,736 S \* 2/2018 Lee ..... D14/344  
D831,522 S \* 10/2018 Gruosi-Scheufele ..... D11/4  
D833,071 S \* 11/2018 Pennington ..... D28/41

\* cited by examiner

*Primary Examiner* — Susan Bennett Hattan

*Assistant Examiner* — Rebecca Tsehaye

(74) *Attorney, Agent, or Firm* — Morrison & Foerster LLP

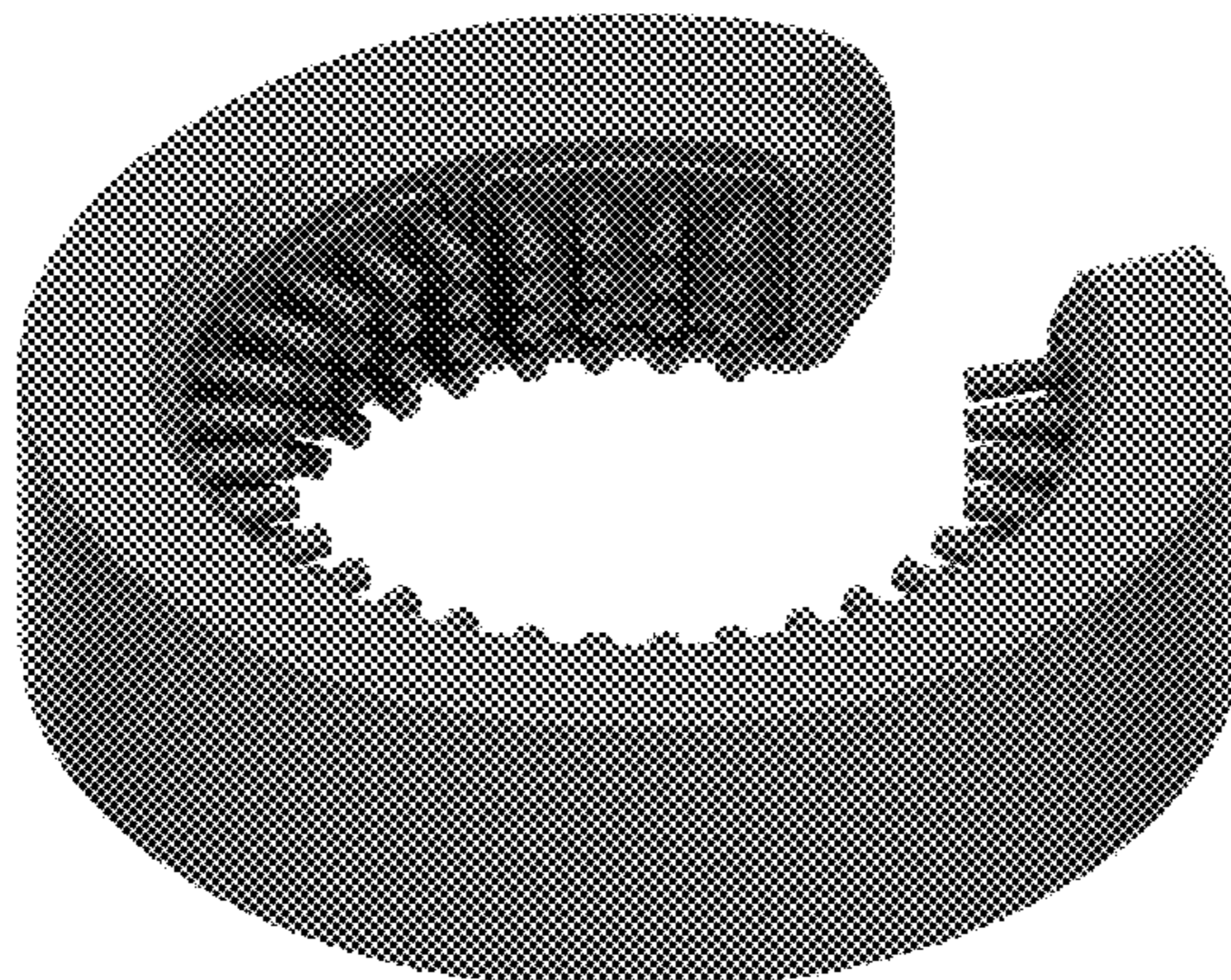
(57) **CLAIM**

We claim the ornamental design for an accessory for hair-dryers, as shown and described.

**DESCRIPTION**

FIG. 1 is a first side perspective view of an accessory for hairdryers showing our new design;  
FIG. 2 is a second side perspective view thereof;  
FIG. 3 is a side view thereof;  
FIG. 4 is a side view of the opposite side of FIG. 3;  
FIG. 5 is a front view thereof;  
FIG. 6 is a rear view thereof; and,  
FIG. 7 is a top view thereof.  
The accessory for hairdryers is illustrated with grayscale shading to indicate contrast.

**1 Claim, 7 Drawing Sheets**





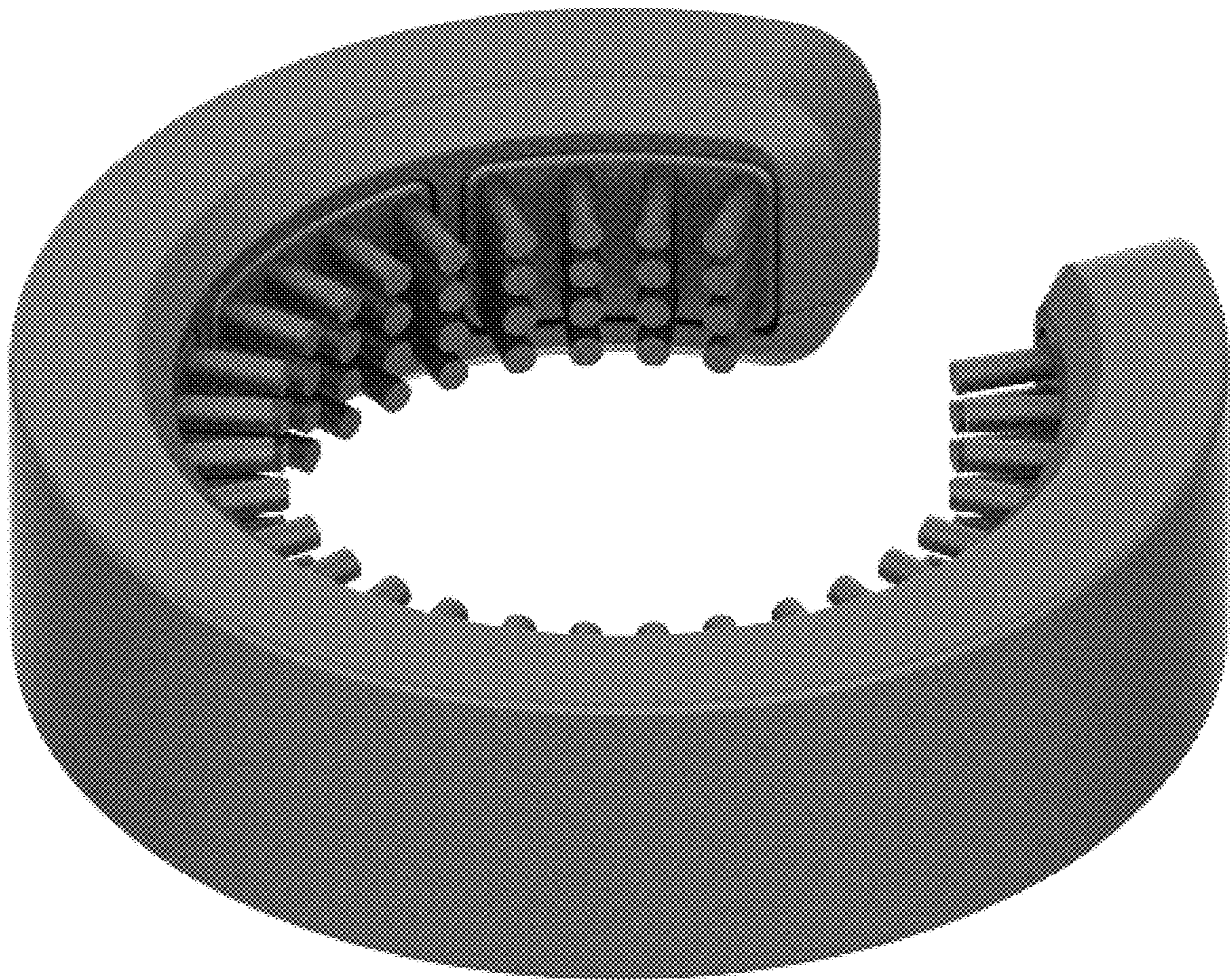


FIG. 1



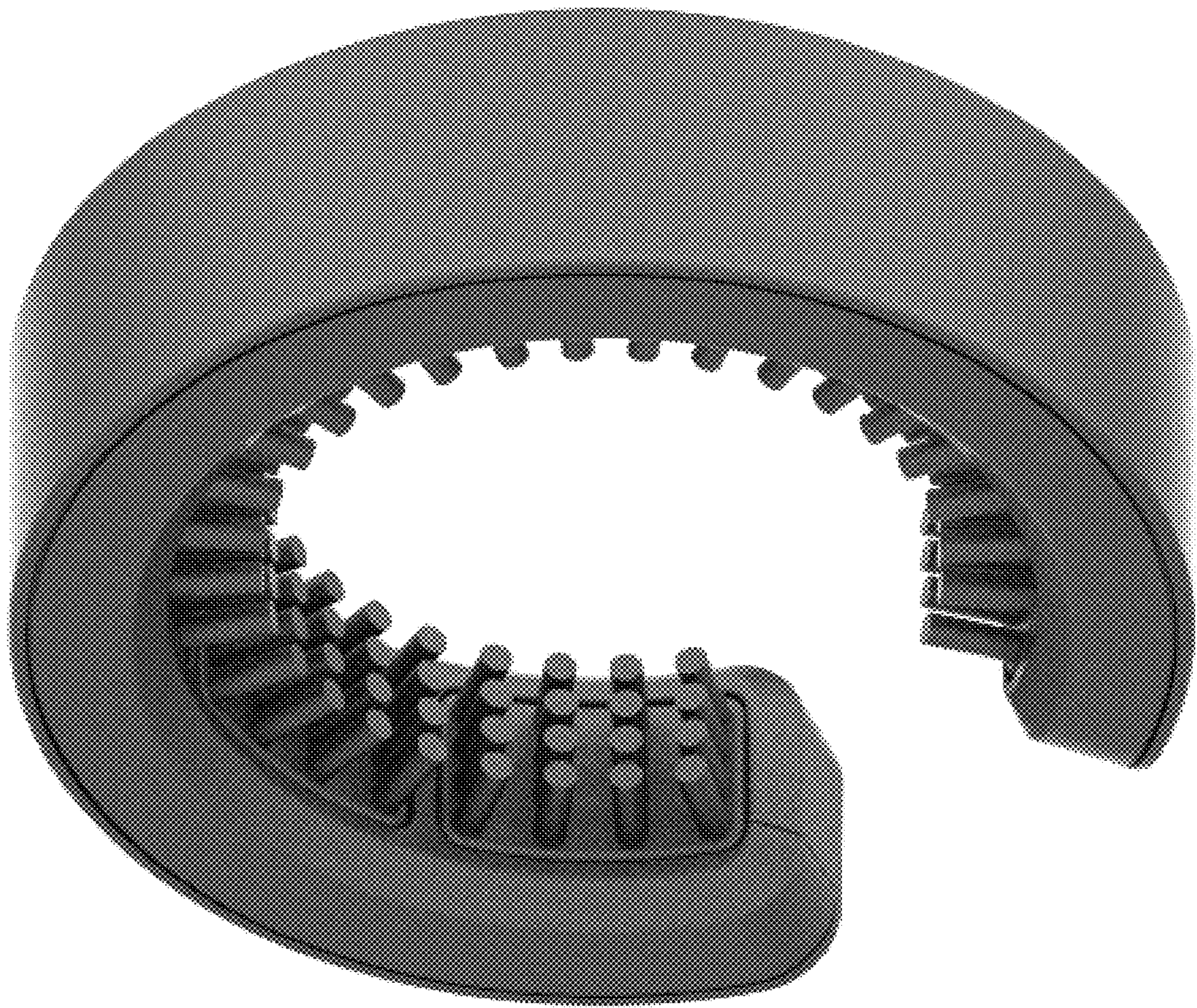


FIG. 2



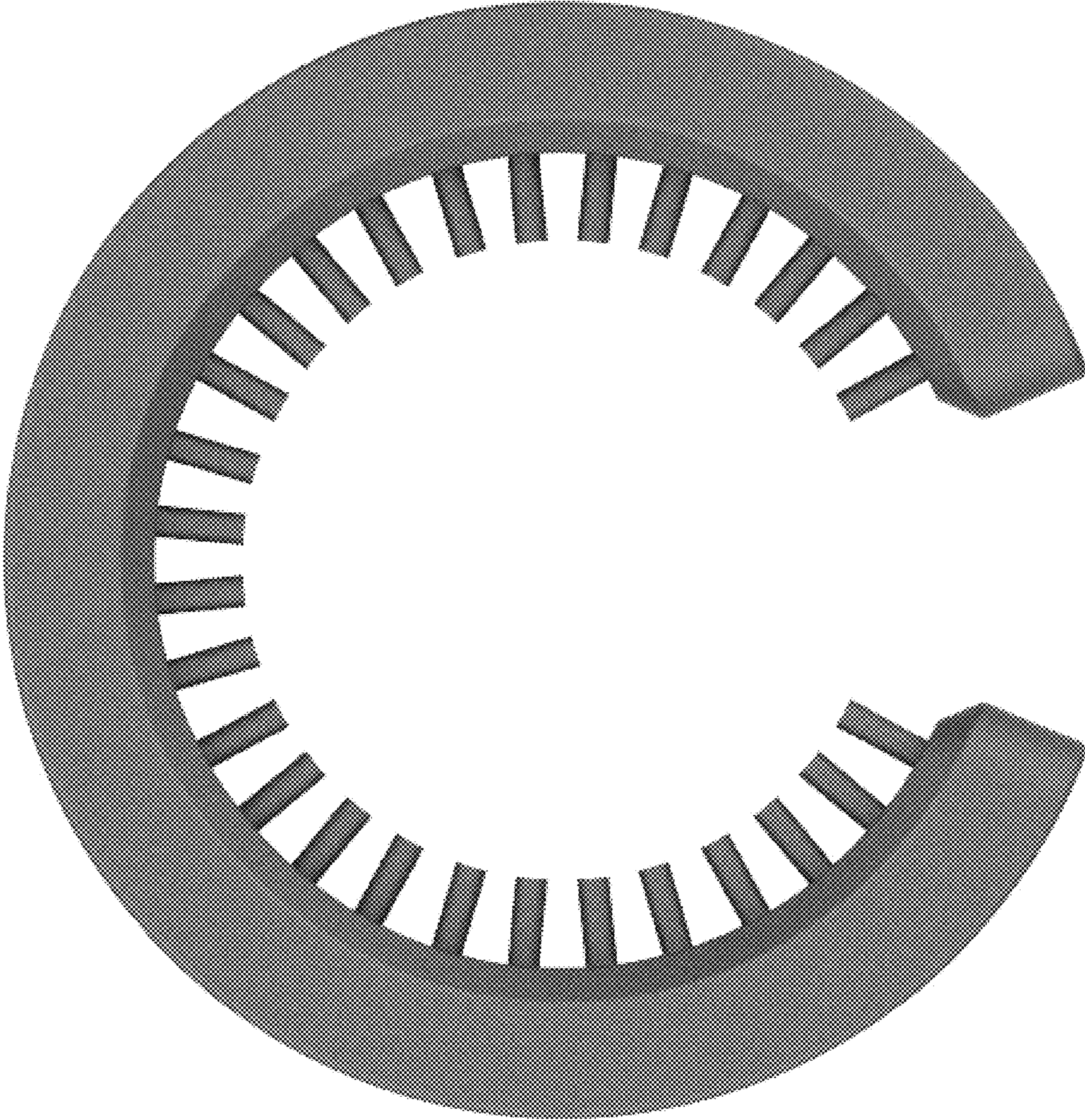


FIG. 3



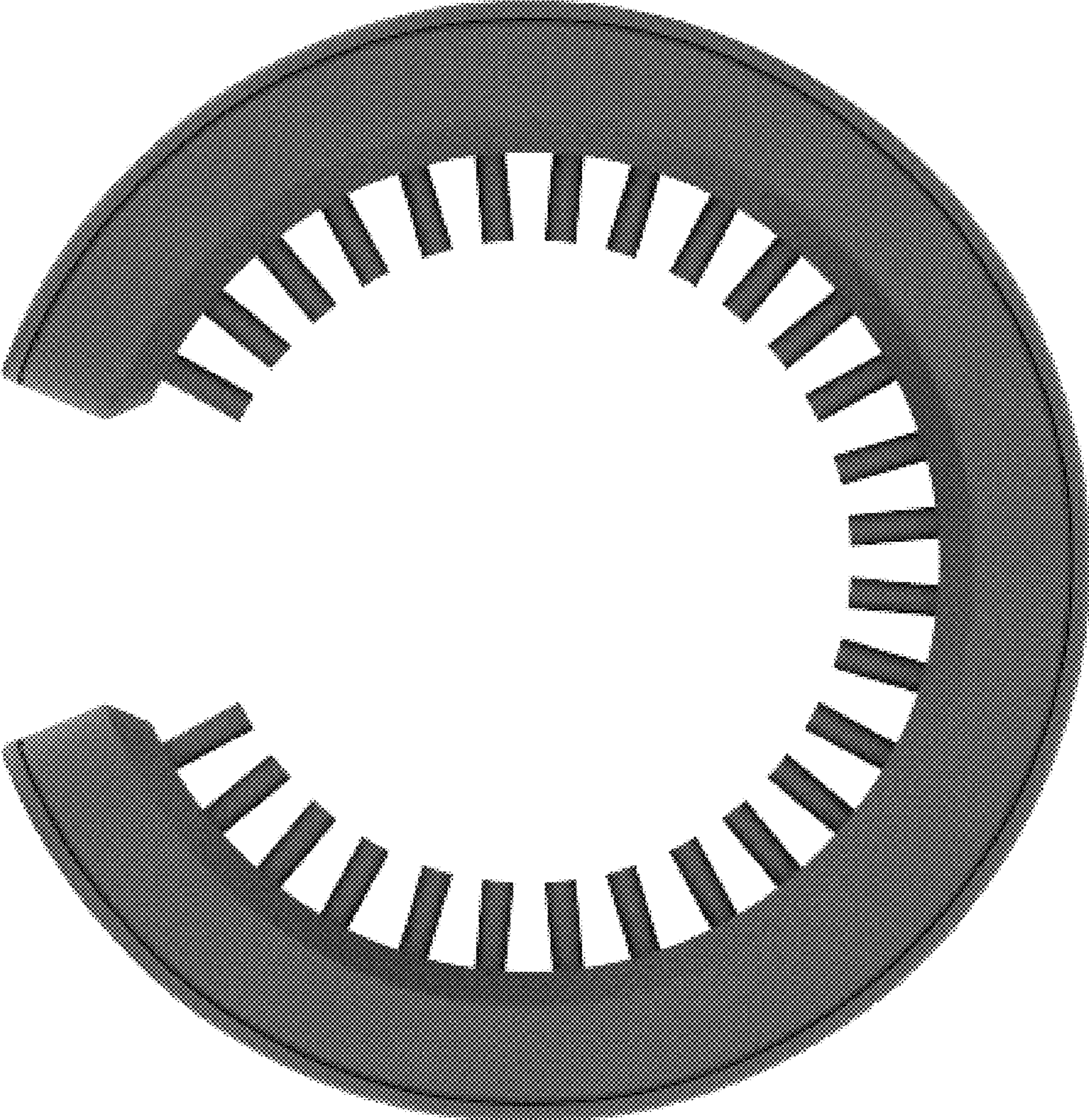


FIG. 4



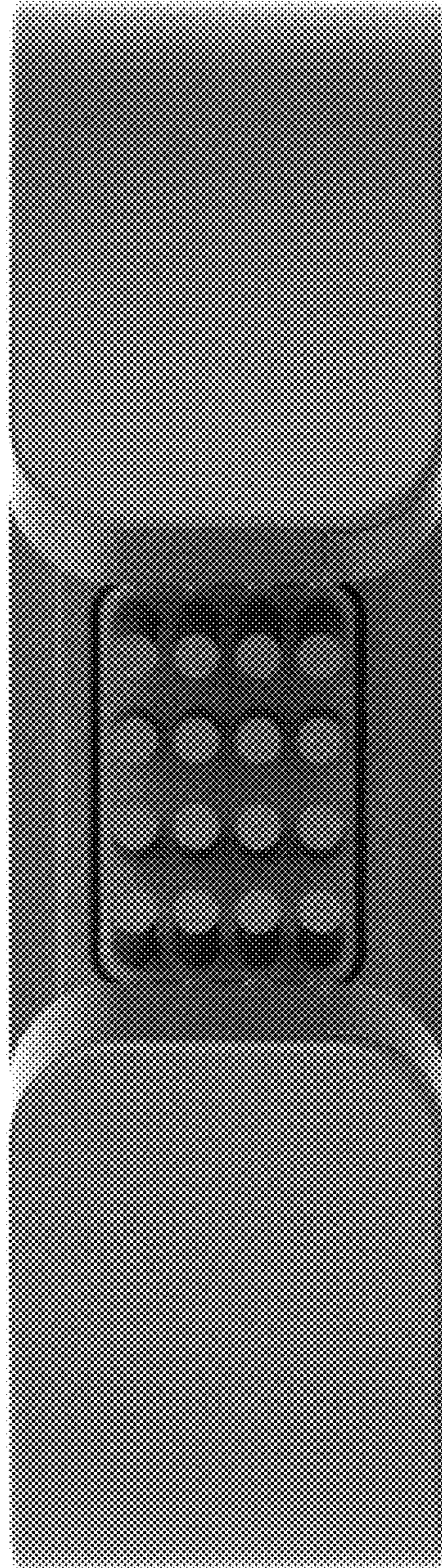


FIG. 5

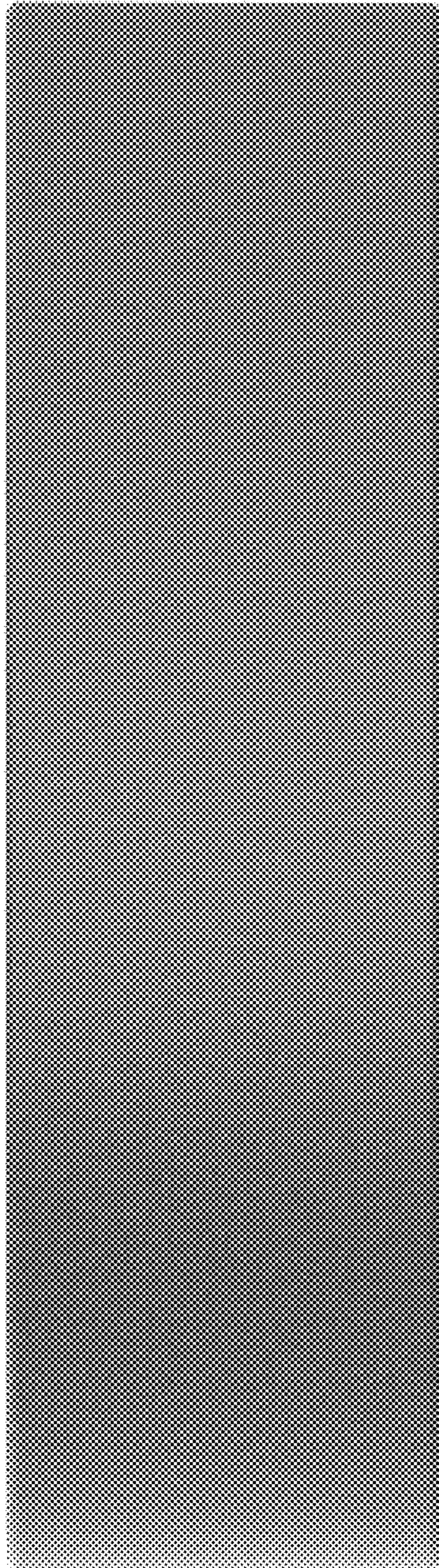


FIG. 6



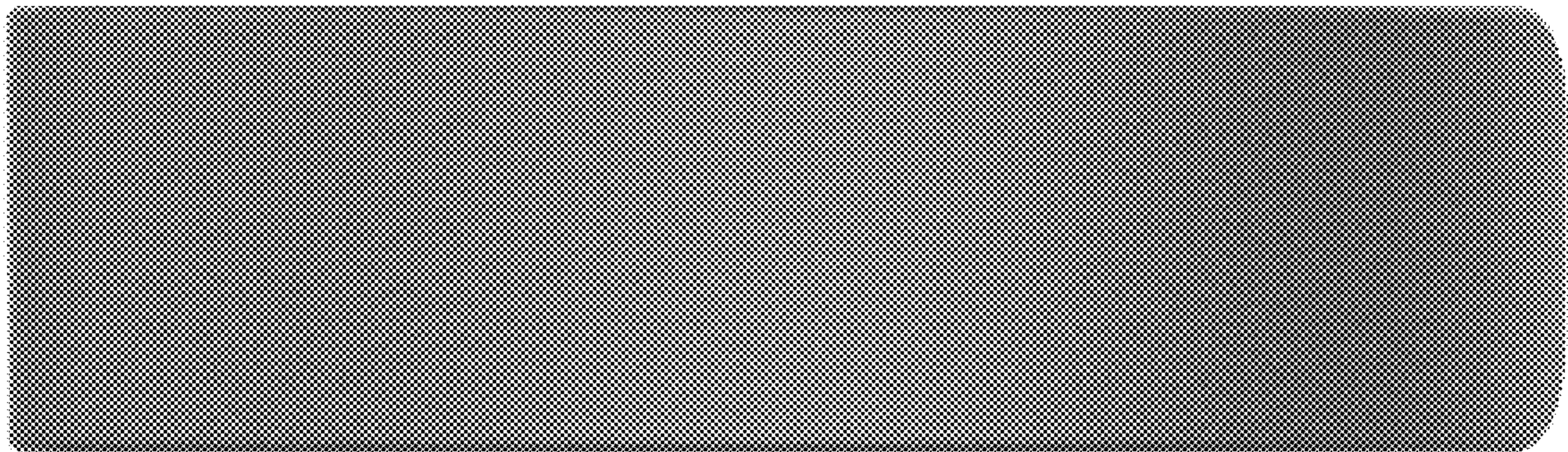


FIG. 7