



US00D860527S

(12) **United States Design Patent** (10) **Patent No.:** **US D860,527 S**
Jeannin et al. (45) **Date of Patent:** **** Sep. 17, 2019**

(54) **DISPENSER OF COSMETIC PRODUCTS**

(71) Applicant: **APTAR FRANCE SAS**, Le Neubourg (FR)

(72) Inventors: **Julien Jeannin**, Louviers (FR); **Arnaud Le Boucher**, Écardenville-la-Campagne (FR)

(**) Term: **15 Years**

(21) Appl. No.: **35/504,308**

(22) Filed: **Jul. 12, 2017**

(80) **Hague Agreement Data**

Int. Filing Date: **Jul. 12, 2017**

Int. Reg. No.: **DM/096910**

Int. Reg. Date: **Jul. 12, 2017**

Int. Reg. Pub. Date: **Jan. 12, 2018**

(30) **Foreign Application Priority Data**

Mar. 15, 2017 (EM) 003802016-0001

(51) **LOC (12) Cl.** **28-02**

(52) **U.S. Cl.**
USPC **D28/7**

(58) **Field of Classification Search**

USPC D28/7, 76, 77, 85-90; D9/695-699, 711, D9/723, 724, 726

CPC A45D 40/261; A45D 40/00; A45D 2040/0018; A45D 40/205

See application file for complete search history.

(56) **References Cited**

U.S. PATENT DOCUMENTS

D408,592 S * 4/1999 Litton D19/163
D450,888 S * 11/2001 Breidenbach D28/76
D693,059 S * 11/2013 Tani D28/7
D734,539 S * 7/2015 Yeo D28/7
D773,730 S * 12/2016 Rizzo D28/7

D778,496 S * 2/2017 Ooba D28/7
D797,371 S * 9/2017 Stadlbauer D28/7
D816,897 S * 5/2018 Corsi D28/7
D822,899 S * 7/2018 Corsi D28/7
10,046,348 B2 * 8/2018 Brugger B05B 11/0032
D830,627 S * 10/2018 Duquet D28/7
D833,067 S * 11/2018 Suzuki D28/7
2013/0108349 A1 * 5/2013 Thorpe A45D 34/04
401/9
2013/0343801 A1 * 12/2013 Sakuma A61K 8/891
401/143
2014/0334862 A1 * 11/2014 Little A45D 40/06
401/63
2015/0335134 A1 * 11/2015 Jouan A45D 34/045
401/126
2016/0144395 A1 * 5/2016 Brugger A45D 40/262
401/150
2017/0311695 A1 * 11/2017 Jung A45D 34/04
2018/0255905 A1 * 9/2018 Choi A45D 34/042
2018/0279742 A1 * 10/2018 Chibas A45D 40/24
2018/0280633 A1 * 10/2018 Miller B05B 12/10
2018/0303219 A1 * 10/2018 Sasaki A45D 40/205

* cited by examiner

Primary Examiner — Melanie H Tung

Assistant Examiner — Bao-Yen T Nguyen

(57) **CLAIM**

The ornamental design for a dispenser of cosmetic products, as shown and described.

DESCRIPTION

1. Dispenser of cosmetic products

1.1 : Perspective

1.2 : Perspective

1.3 : Front

1.4 : Right

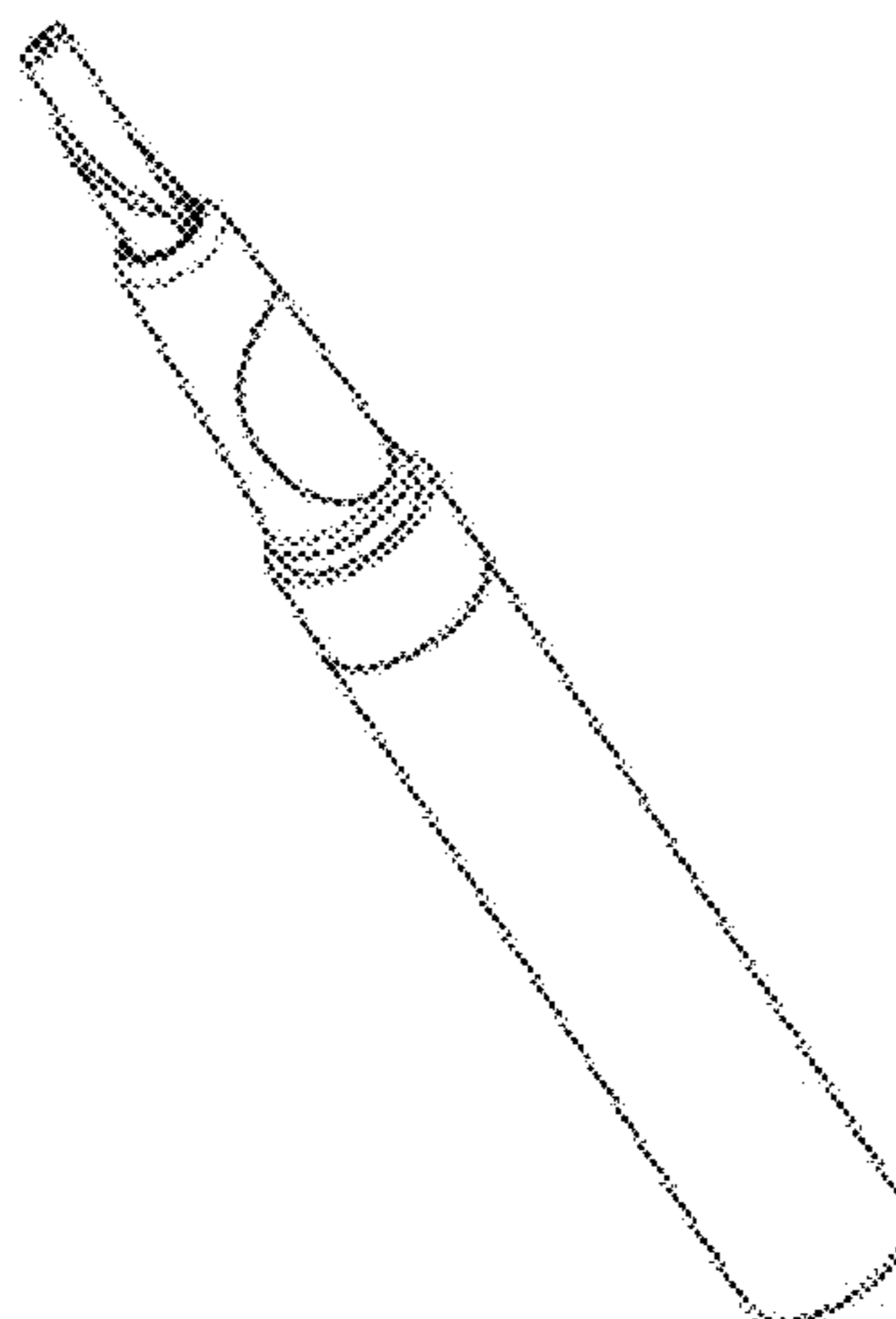
1.5 : Left

1.6 : Back

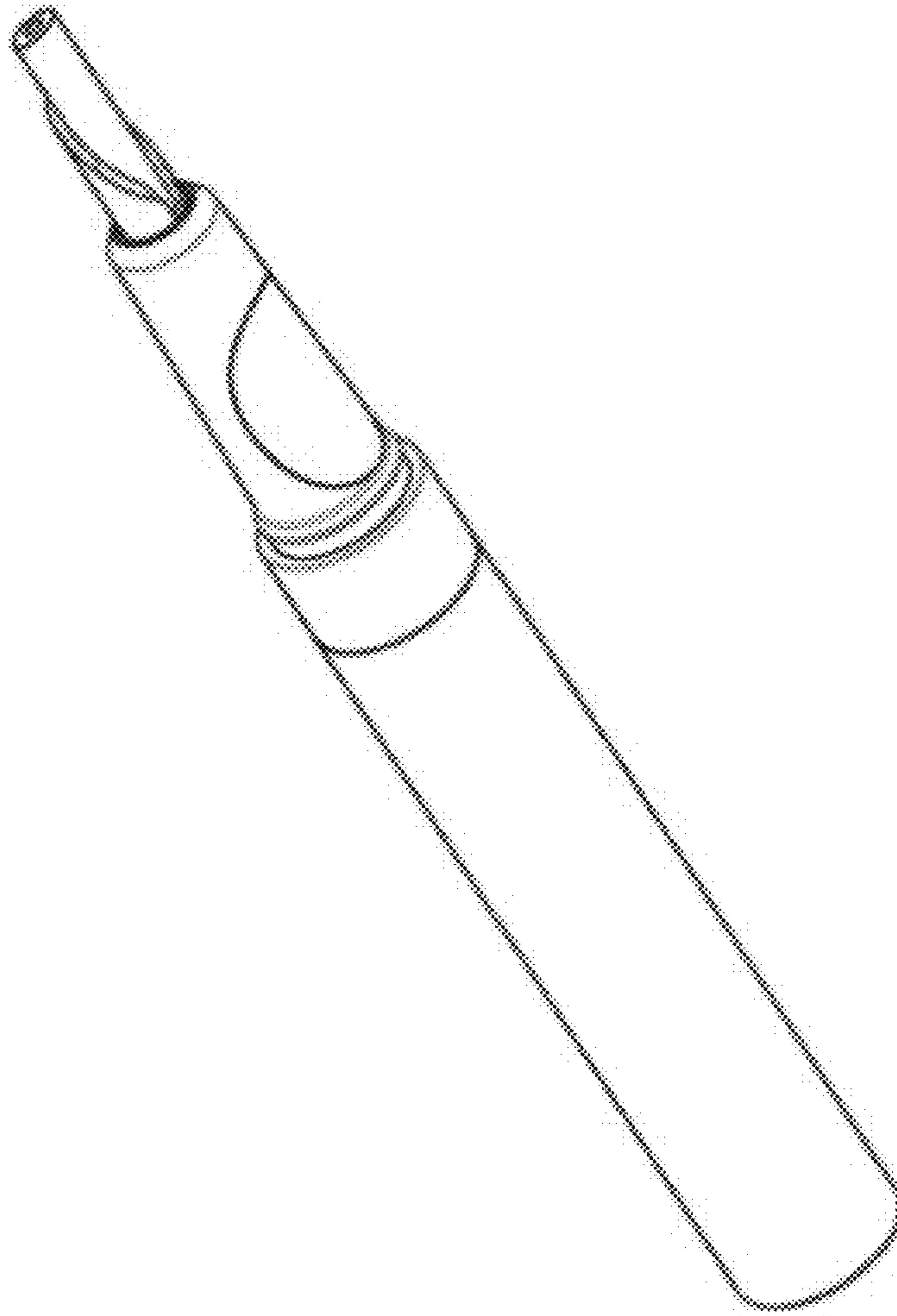
1.7 : Top

The features shown in broken lines in the Top view **1.7** form no part of the claimed design.

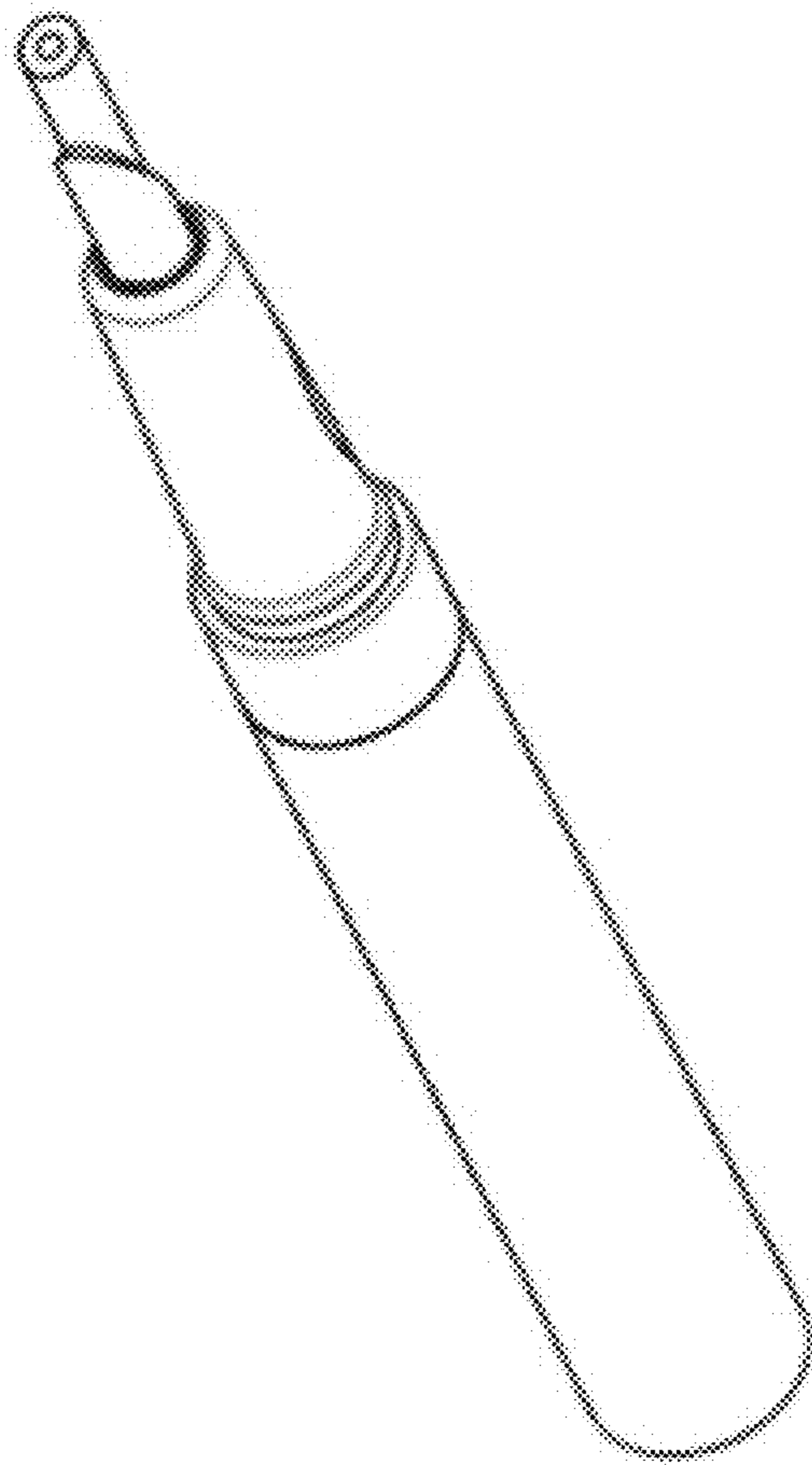
1 Claim, 7 Drawing Sheets



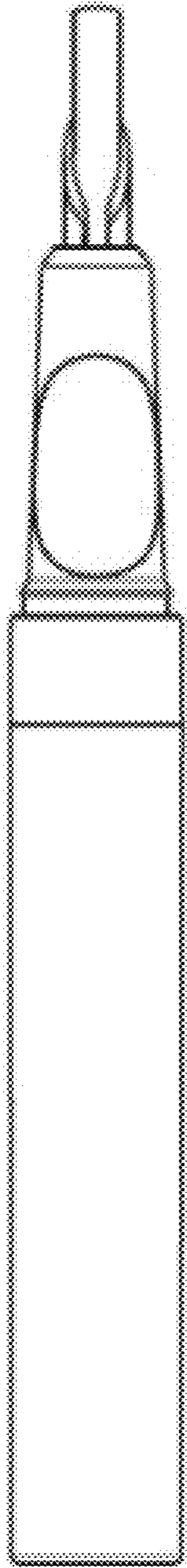
1.1



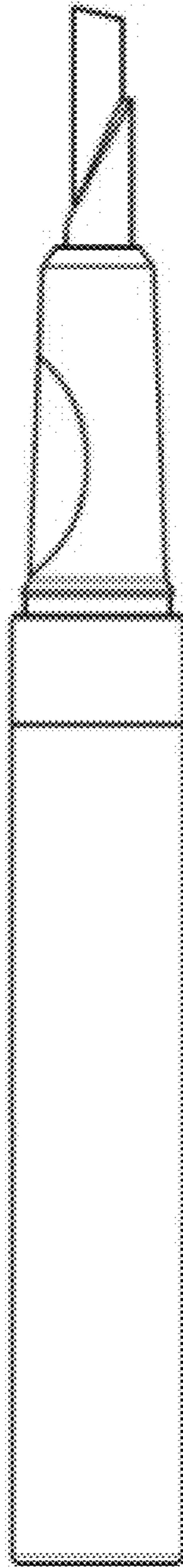
1.2



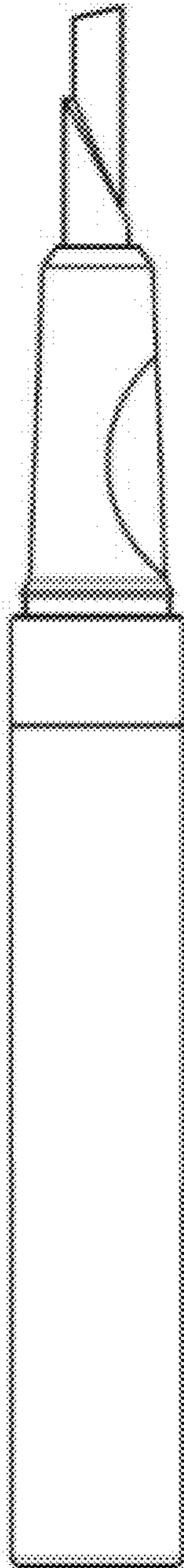
1.3



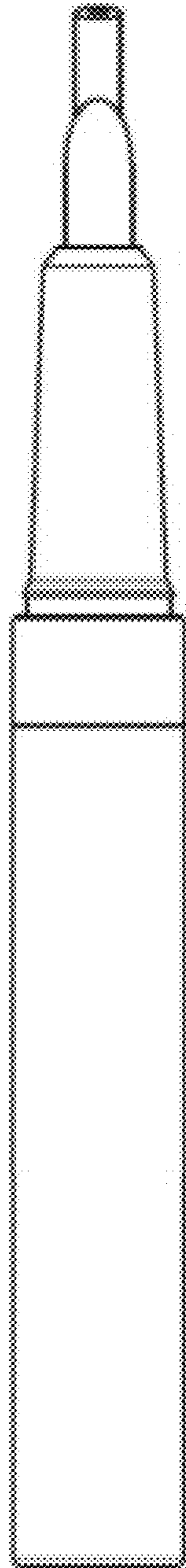
1.4



1.5



1.6



1.7

