



US00D860523S

(12) **United States Design Patent** (10) **Patent No.:** **US D860,523 S**  
**Cheung et al.** (45) **Date of Patent:** **\*\* Sep. 17, 2019**

(54) **CASE**

D145,886 S \* 11/1946 Fox ..... D27/159  
3,272,321 A \* 9/1966 Tamarin ..... A24F 15/14  
206/249  
D209,319 S \* 11/1967 Rappoport ..... D27/154  
(Continued)

(71) Applicant: **JUUL Labs, Inc.**, San Francisco, CA  
(US)

(72) Inventors: **Brandon Cheung**, San Francisco, CA  
(US); **Richard Johnson**, San Francisco,  
CA (US); **Kevin Lomeli**, San Francisco,  
CA (US); **James Monsees**, San  
Francisco, CA (US); **Alexander  
Ringrose**, Oakland, CA (US); **Roxolana  
Wacyk**, San Francisco, CA (US)

FOREIGN PATENT DOCUMENTS

AU 2017202891 A1 5/2017  
CN 101869356 A 10/2010  
(Continued)

(73) Assignee: **JUUL Labs, Inc.**, San Francisco, CA  
(US)

BRIK—Slimmest Portable JUUL Charging Case by Brik. earliest  
review date: Jun. 3, 2018. found online [Dec. 20, 2018] [https://  
brikcharger.com/products/brik?gclid=  
EAlaIqobChMI75ffobmv3w1VTIqGCh08BwU6EAQYASABEgIWvPD  
BwE#shopify-product-reviews.\\*](https://brikcharger.com/products/brik?gclid=EAlaIqobChMI75ffobmv3w1VTIqGCh08BwU6EAQYASABEgIWvPD BwE#shopify-product-reviews.*)

(\*\*) Term: **15 Years**

(21) Appl. No.: **29/638,723**

(Continued)

(22) Filed: **Feb. 28, 2018**

*Primary Examiner* — Marissa J Cash

(51) **LOC (12) Cl.** ..... **27-06**

(74) *Attorney, Agent, or Firm* — Mintz Levin Cohn Ferris  
Glovsky and Popeo, P.C.

(52) **U.S. Cl.**  
USPC ..... **D27/186**

(57) **CLAIM**

(58) **Field of Classification Search**  
USPC ..... D27/100, 101, 139–161, 162–194;  
D23/366; D7/416; D24/110; D19/101,  
D19/106, 115, 165, 195  
CPC ..... A24F 47/008; A24F 47/002; A24F 7/00;  
A24F 15/12; F23Q 2/164  
See application file for complete search history.

The ornamental design for a case, as shown and described.

**DESCRIPTION**

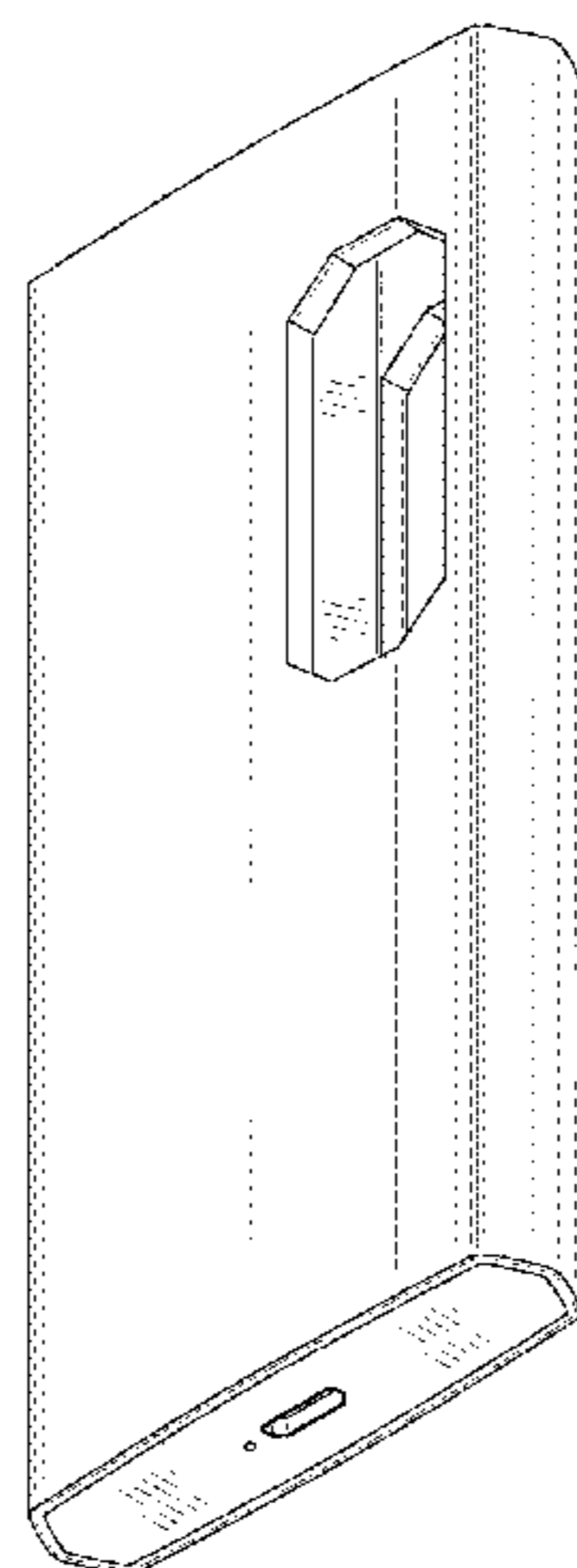
(56) **References Cited**

U.S. PATENT DOCUMENTS

799,844 A 9/1905 Fuller  
1,163,183 A 12/1915 Stoll  
1,505,748 A 8/1924 Louis  
1,706,244 A 3/1929 Louis  
1,998,683 A 4/1935 Montgomery  
2,231,909 A 2/1941 Hempal

FIG. 1 is a front, right side, and bottom perspective view of  
a case of our design;  
FIG. 2 is a front, right side, and top perspective view thereof;  
FIG. 3 is a front view thereof;  
FIG. 4 is a rear view thereof;  
FIG. 5 is a right side view thereof;  
FIG. 6 is a left side view thereof;  
FIG. 7 is a top view thereof;  
FIG. 8 is a bottom view thereof; and,  
FIG. 9 is a cross-sectional view thereof, taken along the line  
**9-9** as shown in FIG. 3.

**1 Claim, 9 Drawing Sheets**



(56)

## References Cited

## U.S. PATENT DOCUMENTS

D217,385 S *	4/1970	Rams	D27/154	D780,373 S *	2/2017	Bennett	D27/186
D223,523 S *	4/1972	Kastner	D27/194	D790,129 S *	6/2017	Bennett	D27/189
D226,128 S *	1/1973	Rams	D27/154	9,668,522 B2	6/2017	Memari et al.	
D228,307 S *	9/1973	Rams	D27/154	D791,070 S *	7/2017	Son	D13/103
D233,612 S *	11/1974	Moriya	D27/157	D793,004 S	7/2017	Liu	
D233,686 S *	11/1974	Stutzer	D27/154	9,775,380 B2	10/2017	Fernando et al.	
D236,280 S *	8/1975	Ohsawa	D27/154	D802,834 S *	11/2017	Mathias	D27/163
D242,811 S *	12/1976	Stuetzer	D27/159	9,841,433 B2 *	12/2017	Norris	G01P 13/02
D246,473 S *	11/1977	Stutzer	D27/154	D807,818 S *	1/2018	Mathias	D13/107
D248,244 S *	6/1978	Beleckis	D27/154	D809,706 S *	2/2018	Martin	D27/141
D252,768 S *	8/1979	Brand	D27/154	D811,005 S *	2/2018	Fath	D27/189
4,207,976 A	6/1980	Herman		D812,289 S *	3/2018	Ward	D27/172
D259,741 S *	6/1981	Stuetzer	D27/159	D812,290 S *	3/2018	Ward	D27/172
D284,113 S *	6/1986	Wassmann	D27/159	D815,346 S	4/2018	Bagai	
4,798,310 A	1/1989	Kasai et al.		D818,195 S *	5/2018	Burger	D27/186
D335,194 S *	4/1993	Bruzzi	D27/159	D818,640 S *	5/2018	Kakoun	D27/189
5,479,948 A	1/1996	Counts et al.		D820,688 S *	6/2018	Fath	D9/721
D366,950 S *	2/1996	McKinnie	D27/189	D824,094 S	7/2018	Rein	
D411,332 S *	6/1999	Zelenik	D27/187	D828,621 S *	9/2018	Qiu	D27/162
5,967,310 A	10/1999	Hill		D829,375 S *	9/2018	Huang	D27/162
D466,643 S *	12/2002	Harel	D27/141	D829,982 S *	10/2018	Wang	D27/167
6,726,006 B1	4/2004	Funderburk et al.		D829,983 S *	10/2018	Wang	D27/167
D498,330 S *	11/2004	Koike	D27/157	D830,626 S *	10/2018	Gu	D27/141
D499,205 S *	11/2004	Wong	D27/157	D832,504 S *	10/2018	Qiu	D27/163
D514,741 S	2/2006	Cohen Harel		D832,505 S *	10/2018	Bennett	D27/193
D536,480 S *	2/2007	Park	D27/143	D833,671 S *	11/2018	Stephane	D27/141
D596,788 S *	7/2009	Fuente	D27/189	D835,840 S *	12/2018	Liu	D27/162
D605,350 S *	12/2009	Smith	D27/154	2002/0088469 A1	7/2002	Rennecamp	
D617,042 S *	6/2010	Wong	D27/139	2009/0283103 A1	11/2009	Nielsen et al.	
D622,902 S *	8/2010	An	D27/154	2010/0301032 A1	12/2010	Johnson	
D625,466 S *	10/2010	Martin	D27/159	2010/0307518 A1	12/2010	Wang	
D649,236 S *	11/2011	Bilko	D23/366	2010/0313901 A1	12/2010	Fernando et al.	
D656,496 S	3/2012	Andre et al.		2011/0265806 A1	11/2011	Alarcon et al.	
D681,268 S	4/2013	Wu		2012/0227753 A1	9/2012	Newton	
D681,875 S *	5/2013	Park	D27/141	2013/0146489 A1	6/2013	Scatterday	
D689,818 S	9/2013	Sasada		2013/0220847 A1	8/2013	Fisher et al.	
D692,615 S *	10/2013	Verleur	D27/186	2013/0336358 A1	12/2013	Liu	
D693,054 S *	11/2013	Verleur	D27/189	2013/0342157 A1	12/2013	Liu	
D706,129 S *	6/2014	Boraczek	D9/418	2014/0007892 A1	1/2014	Liu	
8,794,244 B2	8/2014	Hammel et al.		2014/0020697 A1	1/2014	Liu	
D718,723 S *	12/2014	Clymer	D13/168	2014/0053856 A1	2/2014	Liu	
D719,701 S	12/2014	Scatterday		2014/0053858 A1	2/2014	Liu	
8,910,783 B2	12/2014	Liu		2014/0130797 A1	5/2014	Liu	
D723,735 S	3/2015	Liu		2014/0262871 A1 *	9/2014	Fath	B65D 5/4204 206/273
D725,823 S	3/2015	Scatterday et al.		2015/0034507 A1	2/2015	Liu	
8,967,382 B2	3/2015	Liu		2015/0041482 A1	2/2015	Liu	
8,978,663 B2	3/2015	Newton		2015/0059779 A1	3/2015	Alarcon et al.	
D733,278 S *	6/2015	Newlin	D23/366	2015/0100441 A1	4/2015	Alarcon et al.	
9,078,472 B2	7/2015	Liu		2015/0101945 A1	4/2015	Scatterday	
9,089,166 B1	7/2015	Scatterday		2015/0102777 A1	4/2015	Cooper	
D735,572 S *	8/2015	Fath	D9/418	2015/0114410 A1	4/2015	Doster	
9,155,336 B2	10/2015	Liu		2015/0164138 A1	6/2015	Liu	
9,198,464 B2	12/2015	Liu		2015/0201676 A1	7/2015	Shin	
9,226,526 B2	1/2016	Liu		2015/0245654 A1	9/2015	Memari et al.	
D751,251 S *	3/2016	Fath	D27/189	2015/0327596 A1	11/2015	Alarcon et al.	
D751,756 S *	3/2016	Hearn	D27/189	2015/0332379 A1	11/2015	Alarcon	
D752,285 S *	3/2016	Doster	D27/189	2015/0333561 A1	11/2015	Alarcon	
D752,808 S *	3/2016	Hearn	D27/189	2015/0342252 A1 *	12/2015	Fath	B65D 5/4204 206/223
9,271,525 B2	3/2016	Liu		2016/0091194 A1	3/2016	Liu	
9,271,526 B2	3/2016	Liu		2016/0095353 A1	4/2016	Liu	
D754,913 S *	4/2016	Almsberger	D27/152	2016/0096658 A1 *	4/2016	Fath	B65B 5/024 206/273
D754,920 S *	4/2016	Domon	D27/189	2016/0101909 A1	4/2016	Schennum et al.	
9,302,825 B2	4/2016	Liu		2016/0113323 A1	4/2016	Liu	
D758,655 S *	6/2016	Freshwater	D27/163	2016/0120218 A1	5/2016	Schennum et al.	
D758,656 S *	6/2016	Freshwater	D27/163	2016/0134143 A1	5/2016	Liu	
D760,431 S	6/2016	Liu		2016/0165952 A1	6/2016	Liu	
9,357,802 B2	6/2016	Liu		2016/0204637 A1	7/2016	Alarcon et al.	
D768,918 S *	10/2016	Ward	D27/167	2016/0206000 A1	7/2016	Lord et al.	
D770,679 S	11/2016	Weigensberg		2016/0366933 A1	12/2016	Liu	
D770,680 S *	11/2016	Bennett	D27/189	2016/0374390 A1	12/2016	Liu	
D772,480 S	11/2016	Hua		2017/0013875 A1	1/2017	Schennum et al.	
D773,116 S *	11/2016	Liu	D27/167	2017/0027221 A1	2/2017	Liu	
9,504,278 B2	11/2016	Liu		2017/0050798 A1	2/2017	Ludewig et al.	
D776,340 S *	1/2017	Seibel	D27/189	2017/0101256 A1	4/2017	Zeitlin et al.	
D779,726 S *	2/2017	Bennett	D27/189	2017/0119044 A1	5/2017	Oligschlaeger et al.	
				2017/0150758 A1	6/2017	Fernando et al.	

(56)

**References Cited**

U.S. PATENT DOCUMENTS

2017/0181471 A1 6/2017 Phillips et al.  
 2017/0207499 A1 7/2017 Leadley  
 2017/0208862 A1\* 7/2017 Li ..... A24F 15/20  
 2017/0208865 A1 7/2017 Nettenstrom et al.  
 2017/0214261 A1 7/2017 Gratton  
 2017/0222468 A1 8/2017 Schennum et al.  
 2017/0290371 A1 10/2017 Davis et al.  
 2017/0334605 A1 11/2017 Murphy et al.  
 2018/0084828 A1\* 3/2018 Phillips ..... A61M 15/0021  
 2018/0160739 A1\* 6/2018 Chen ..... H01H 9/20

FOREIGN PATENT DOCUMENTS

EP 3031338 A1 6/2016  
 EP 3143882 A3 3/2017  
 WO WO-2014117382 A1 8/2014  
 WO WO-2014185937 A1 11/2014  
 WO WO-2015015156 A1 2/2015

WO WO-2015174657 A1 11/2015  
 WO WO-2015196395 A1 12/2015  
 WO WO-2016106483 A1 7/2016  
 WO WO-2016149942 A1 9/2016  
 WO WO-2017173947 A1 10/2017

OTHER PUBLICATIONS

Brik—Slimmest Portable JUUL Charging Case by Brik . earliest review date: Jun. 3, 2018. found online [Dec. 20, 2018] <https://brikcharger.com/products/brik?gclid=EAlalQobChM175ffobrnv3w1VTIqGCh08BwU6EAQYASABEglWvPD BwE#shopify-product-reviews>.

The Best JUUL Charger: JILI vs. Jix vs. Typhon, Feb. 14, 2018, <http://colinsbb.blogspot.com/2018/02/the-best-juul-charger-jili-vs-jix-vs.html>.

The Suorin iShare review—One of the best pod systems we tried so far, Feb. 23, 2018, <https://www.ecigguide.com/suorin-ishare>.

\* cited by examiner

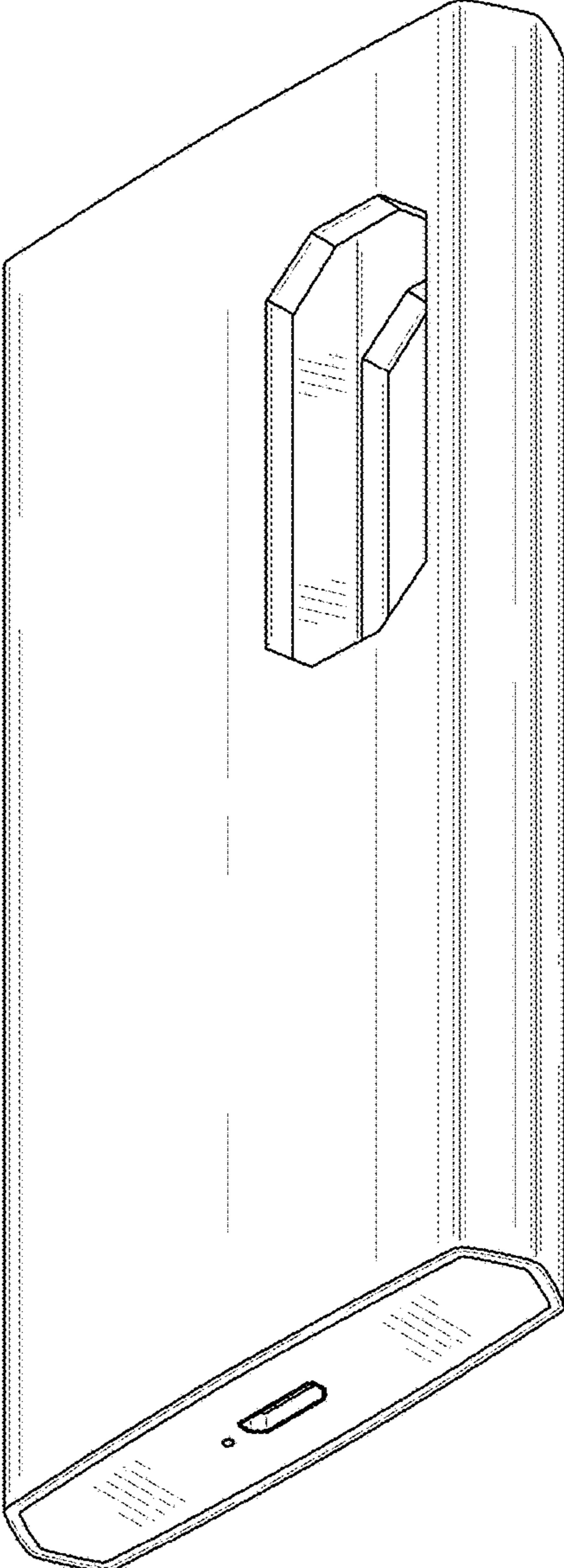


FIG. 1

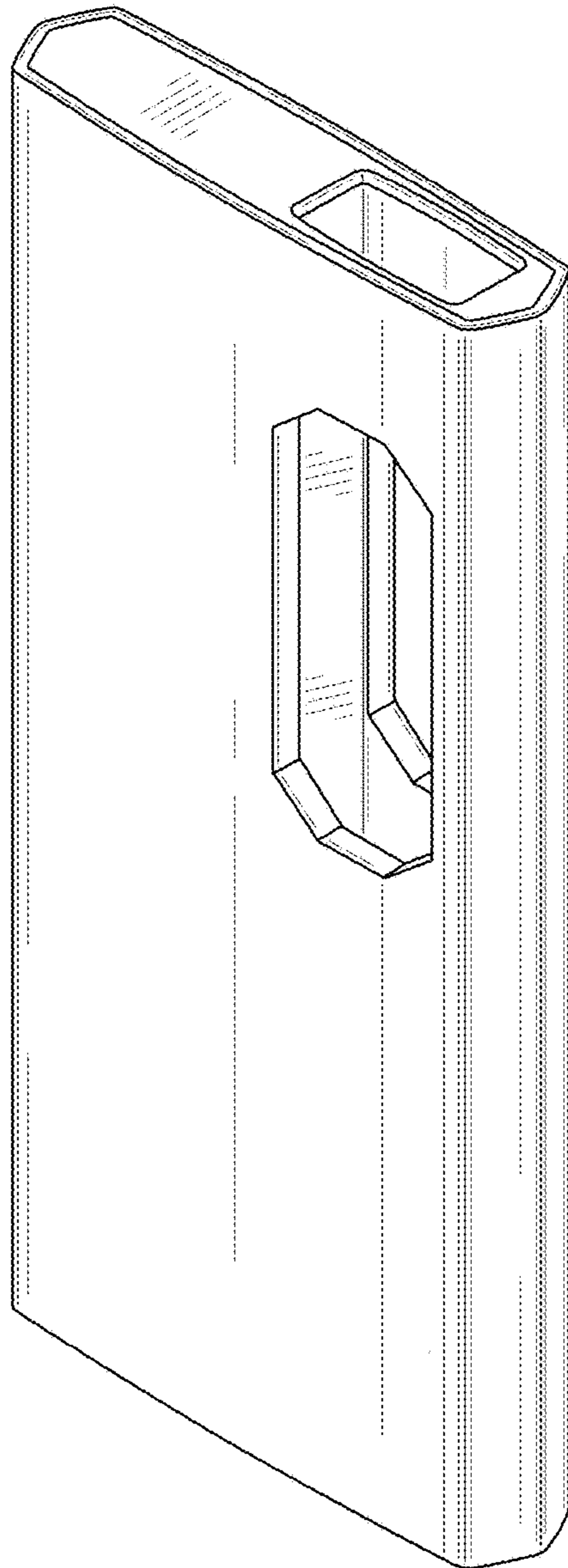


FIG. 2

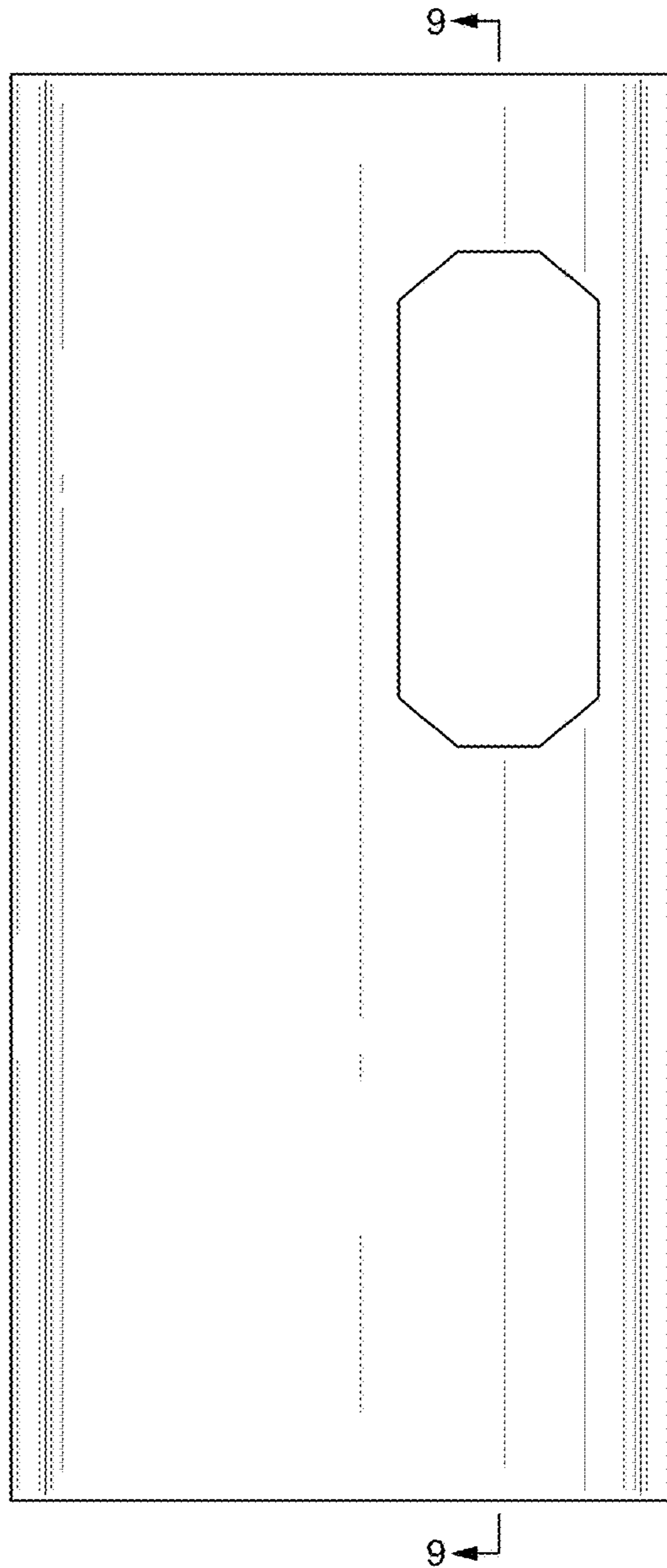


FIG. 3

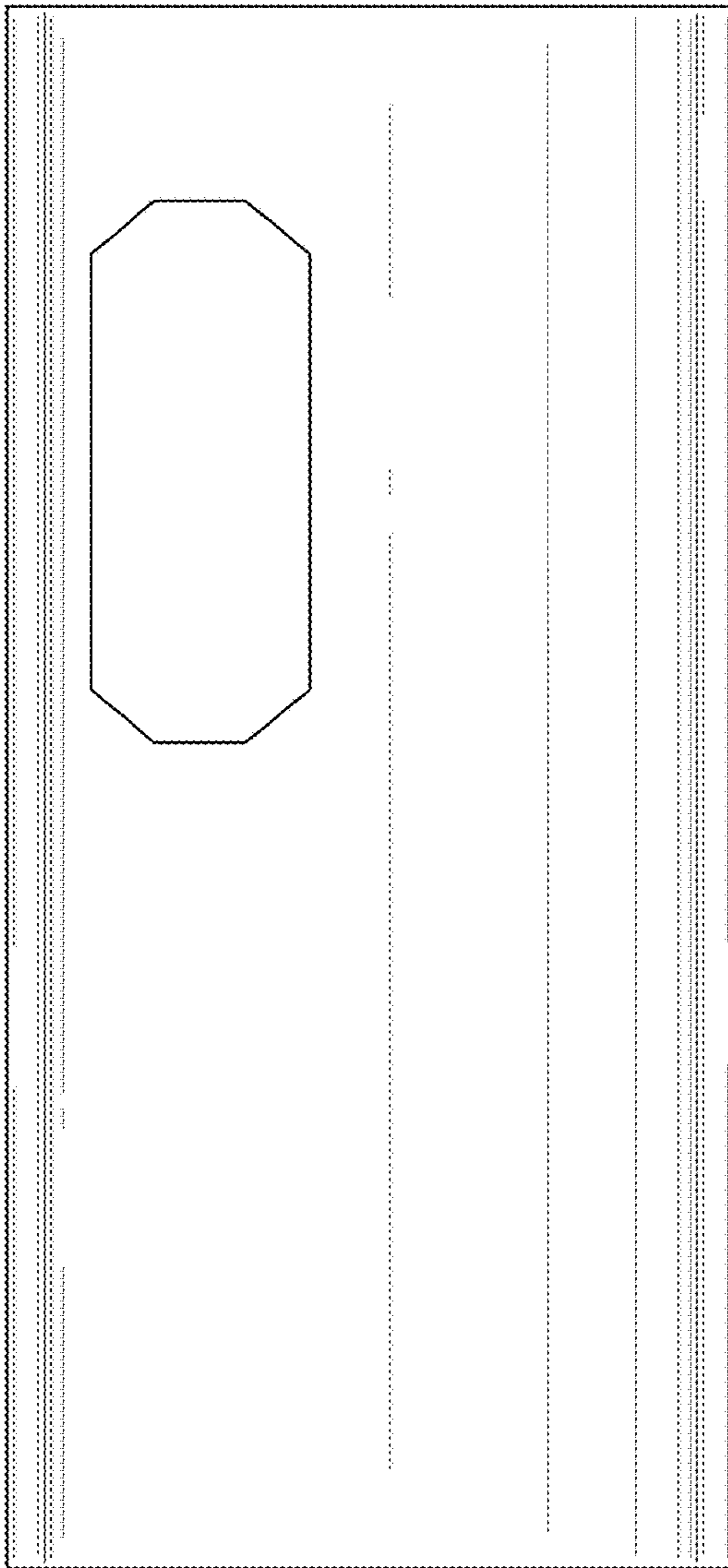
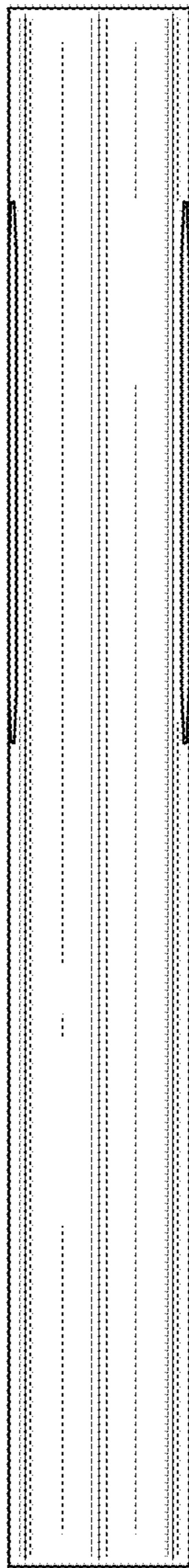
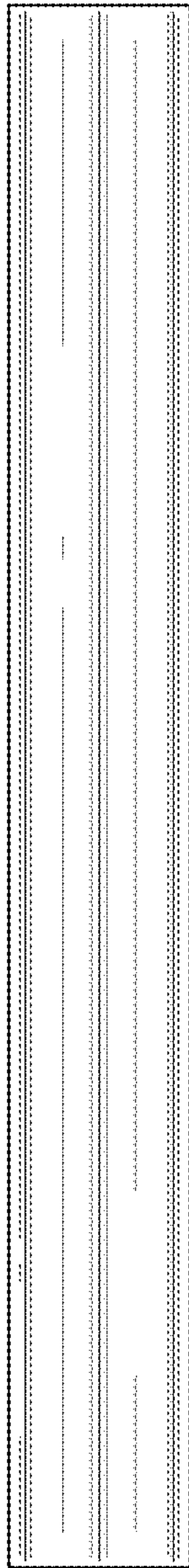


FIG. 4



**FIG. 5**





**FIG. 6**

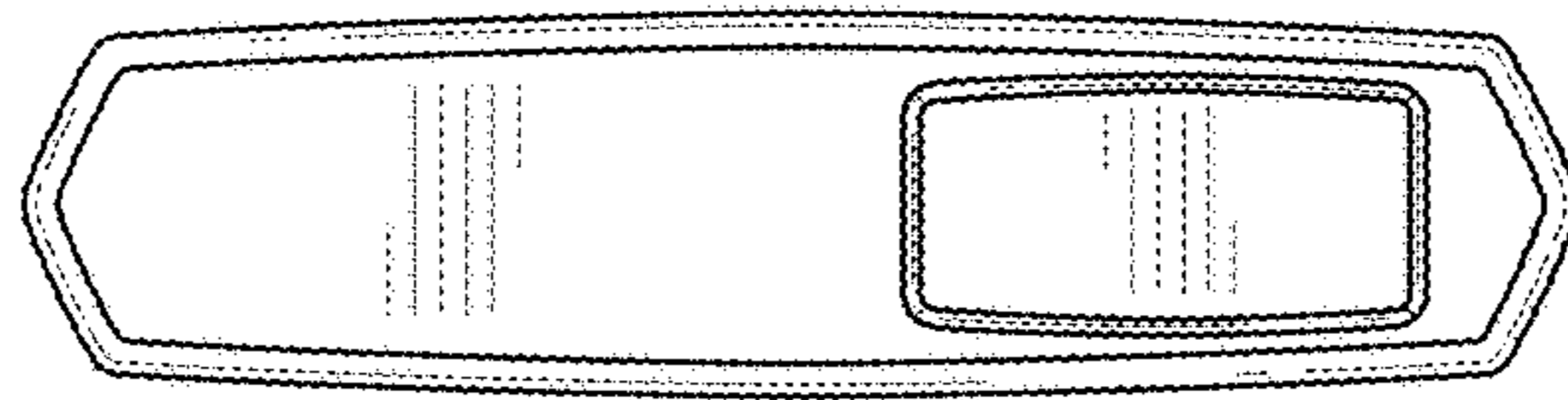


FIG. 7

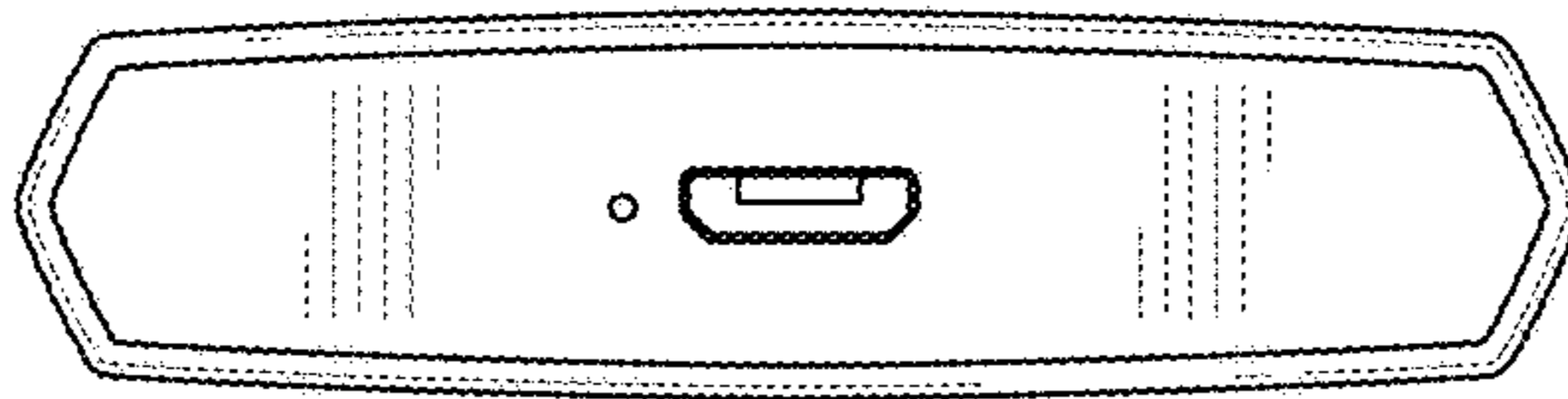
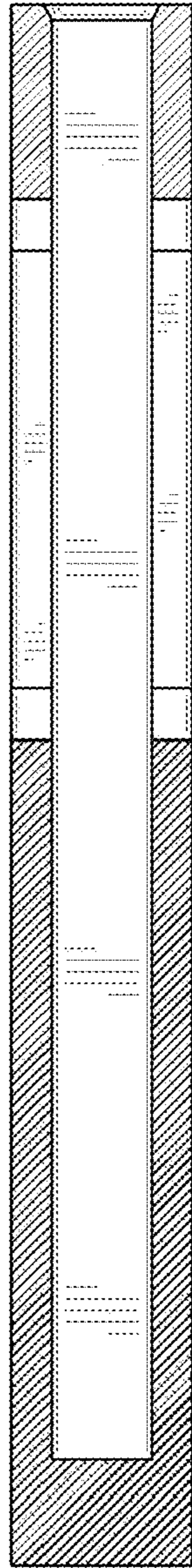


FIG. 8



**FIG. 9**