



US00D860521S

(12) **United States Design Patent** (10) **Patent No.:** **US D860,521 S**
Han (45) **Date of Patent:** **** Sep. 17, 2019**

(54) **SMOKING DEVICE**

(71) Applicant: **Tyger Manufacturing LLC**, Walnut, CA (US)

(72) Inventor: **Jeffrey Han**, Los Altos Hills, CA (US)

(73) Assignee: **Tyger Manufacturing LLC**, San Mateo, CA (US)

(**) Term: **15 Years**

(21) Appl. No.: **29/638,365**

(22) Filed: **Feb. 27, 2018**

Related U.S. Application Data

(63) Continuation of application No. 29/570,716, filed on Jul. 11, 2016, now abandoned, which is a continuation-in-part of application No. 29/517,898, filed on Feb. 18, 2015, now Pat. No. Des. 761,487, and a continuation of application No. 14/625,013, filed on Feb. 18, 2015, now Pat. No. 9,968,127, which is a continuation of application No. 14/625,013.

(51) **LOC (12) Cl.** **27-02**

(52) **U.S. Cl.**
USPC **D27/162**

(58) **Field of Classification Search**
USPC D27/100, 101, 106, 162, 163, 165, 166, D27/167, 177, 183-194; D9/432, 451, D9/452, 502, 537, 556, 565, 643, 648, D9/661, 713, 714, 721
CPC A24F 1/26; A24F 1/30; A24F 3/00; A24F 7/00; A24F 9/16; A24F 13/00; A24F 13/08; A24F 13/16; A24F 15/00; A24F 23/00; A24F 23/02; A24F 47/00; A24F 47/002; A24F 47/008

See application file for complete search history.

(56) **References Cited**

U.S. PATENT DOCUMENTS

136,487 A 3/1873 Buynitzki
1,505,589 A * 8/1924 De Nicola F21V 35/00
431/290

2,402,914 A 6/1946 Robertson
2,533,956 A 12/1950 Robertson

(Continued)

FOREIGN PATENT DOCUMENTS

CN 203841101 U 9/2014
GB 240730 10/1925
GB 715507 9/1954

OTHER PUBLICATIONS

Reddit.com: Just got my new 7Pipe Twisty Glass Blunt!! Published 2017. Retrieved from the internet at <https://www.reddit.com/r/trees/comments/571fdd/just_got_my_new_7pipe_twisty_glass_blunt/>, Jun. 16, 2019. 1 page. (Year: 2017).*

(Continued)

Primary Examiner — Rosemary K Tarcza

Assistant Examiner — Christy M Nemeth

(74) *Attorney, Agent, or Firm* — Steven N. Fox, Esq.

(57) **CLAIM**

The ornamental design for a smoking device, as shown and described.

DESCRIPTION

FIG. 1 is a front perspective view of a smoking device according to the present invention;

FIG. 2 is a front view of the smoking device according to the present invention;

FIG. 3 is a rear view thereof;

FIG. 4 is a left side view thereof;

(Continued)

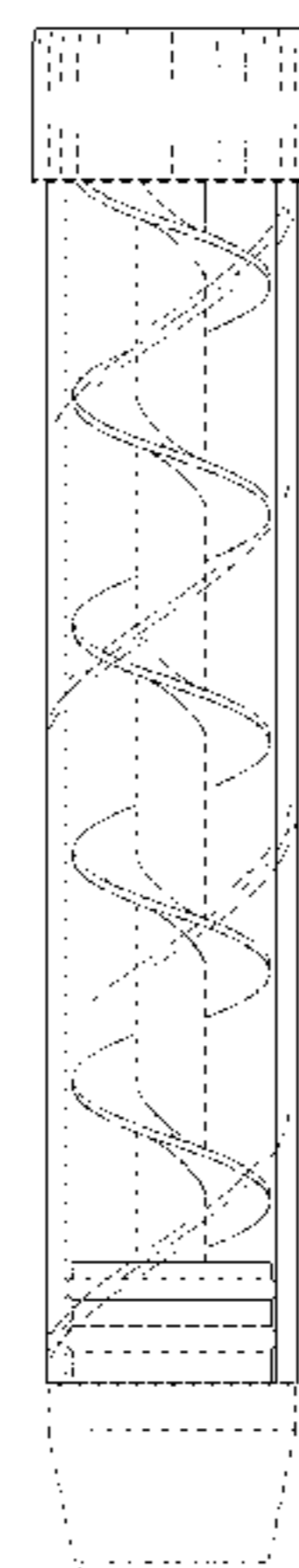
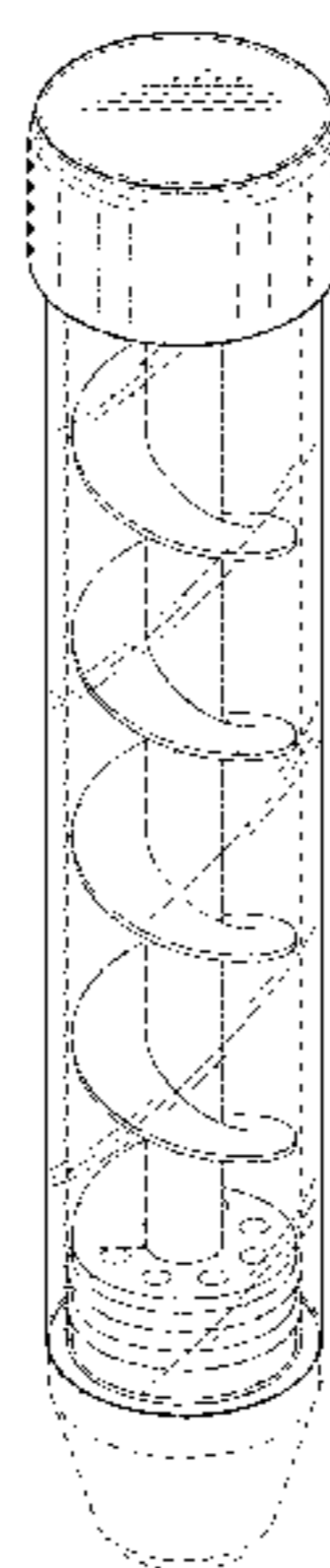


FIG. 5 is a right side view thereof; and,
 FIG. 6 is a bottom view thereof.
 The broken lines in the drawings are for the purpose of illustrating environmental subject matter that forms no part of the claimed design.

1 Claim, 3 Drawing Sheets

(56)

References Cited

U.S. PATENT DOCUMENTS

2,697,927 A * 12/1954 Ferdman F21V 35/00
 431/290
 4,171,000 A 10/1979 Uhle
 4,286,416 A 9/1981 Cooper
 D267,886 S * 2/1983 Albertini D19/163
 5,687,746 A 11/1997 Rose
 D411,510 S * 6/1999 Wells, Sr. D13/119
 6,196,232 B1 3/2001 Chkadua
 6,260,554 B1 7/2001 Rowland
 D496,398 S * 9/2004 Greenberg D19/163
 D652,571 S * 1/2012 Shenassa D27/163
 D687,181 S 7/2013 Goch
 D709,751 S * 7/2014 Wu D8/85
 8,925,714 B1 1/2015 Buser
 D722,721 S * 2/2015 Ross D27/167
 D722,722 S * 2/2015 Ross D27/167
 D739,979 S 9/2015 Smith
 D747,037 S * 1/2016 Spielman B02C 18/144
 D27/194
 D761,487 S * 7/2016 Han D27/162
 9,380,812 B2 * 7/2016 Chung A24F 47/008
 D772,478 S * 11/2016 Liu D27/167
 D780,372 S * 2/2017 Liu D27/101

D780,991 S * 3/2017 Liu D27/101
 D806,943 S * 1/2018 Liu D27/101
 D814,103 S * 3/2018 Levinson D27/101
 9,968,127 B2 * 5/2018 Han A24F 1/28
 D826,470 S * 8/2018 Huang D27/167
 D847,419 S * 4/2019 Hawes D27/194
 10,264,817 B2 * 4/2019 Haun A24F 9/16
 D849,317 S * 5/2019 Qiu D27/162
 D849,318 S * 5/2019 Deng D27/162
 10,314,333 B2 * 6/2019 Han A24F 1/28
 2005/0016553 A1 * 1/2005 Iannuzzi A24F 47/002
 131/273
 2007/0267032 A1 11/2007 Shan
 2010/0078035 A1 4/2010 Erickson
 2011/0226266 A1 * 9/2011 Tao A24F 3/00
 131/185
 2013/0269716 A1 10/2013 Hoang
 2015/0020822 A1 1/2015 Janardhan
 2015/0122277 A1 5/2015 Frobisher
 2015/0144146 A1 5/2015 Selby
 2015/0223523 A1 8/2015 McCullough
 2016/0198769 A1 7/2016 Liu
 2017/0035105 A1 2/2017 Jordan

OTHER PUBLICATIONS

Ravenstine, "Where can I find a very small auger?", date unknown, <https://www.instructables.com/topics/Where-can-I-find-a-very-small-auger/>, Instructables, US.
 Dimadima, "Archimedes Screw Pump", date unknown, http://dimdima.com/science/science_common/show_science.asp?q_aid=268&q_title=Archimedes+Screw+Pump, Dimadima, Country of Publication Unknown.
 Grasscompany.com, "The BudBomb", Nov. 6, 2008, <https://www.youtube.com/watch?v=hAq9eVEUGcl>, Grasscompany.com, Country of Publication Unknown.

* cited by examiner

FIG. 1

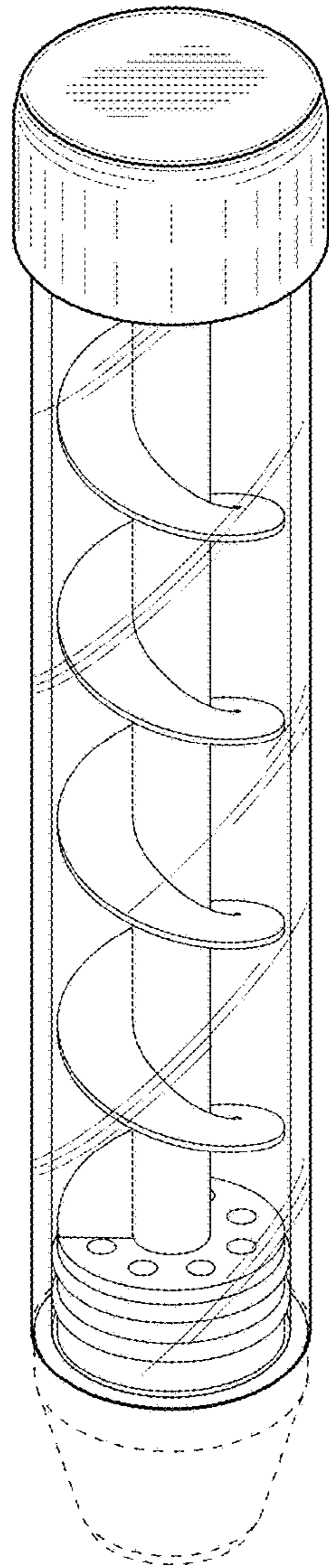
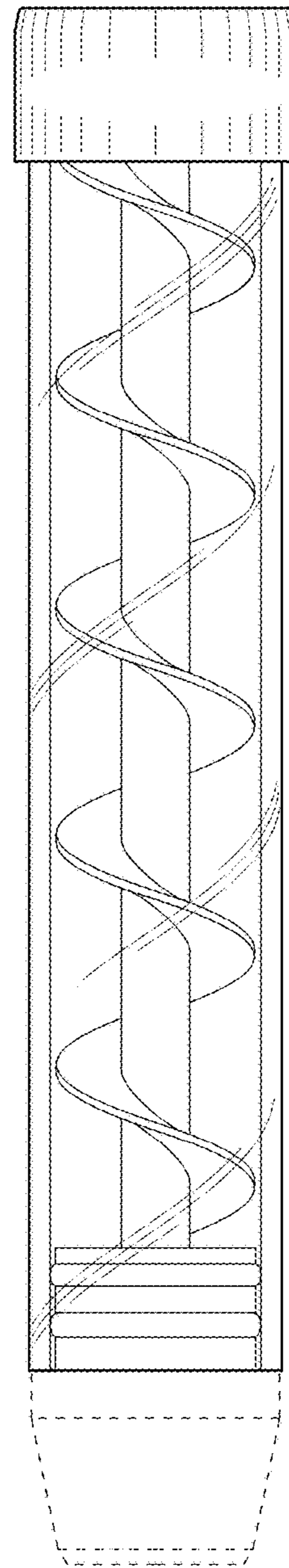


FIG. 2



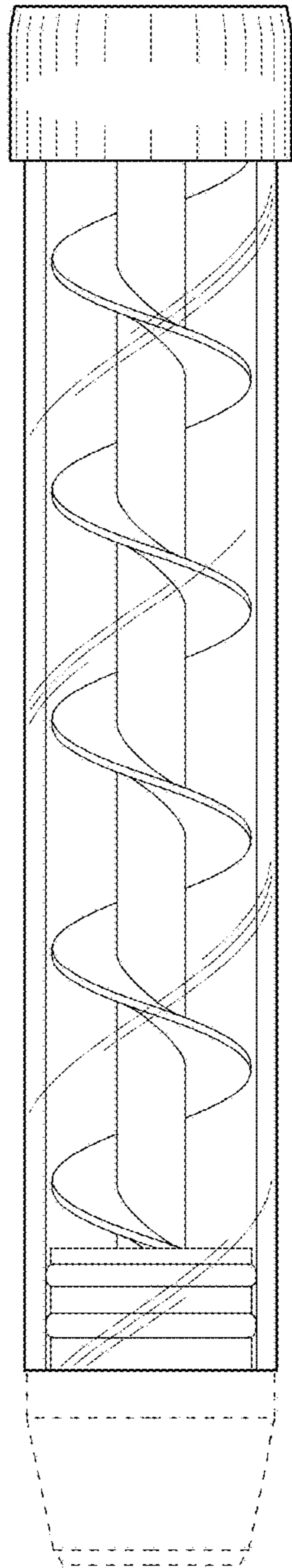


FIG. 3

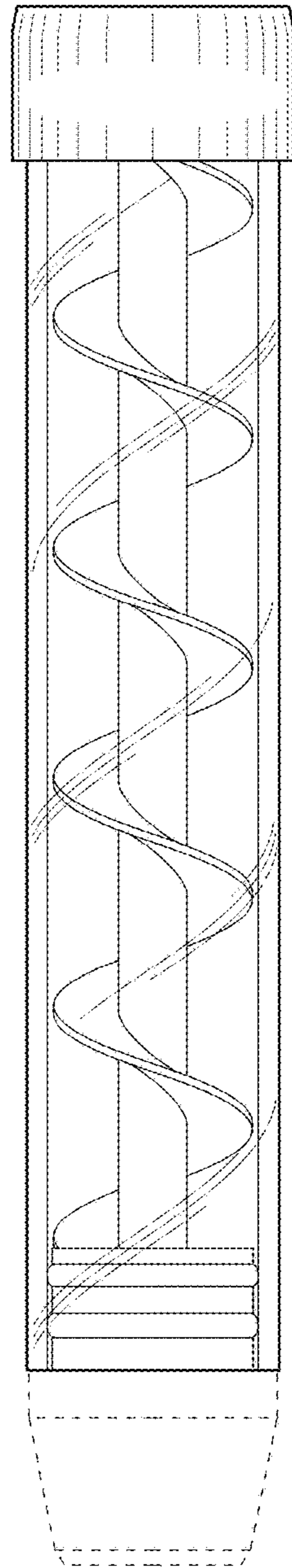


FIG. 4

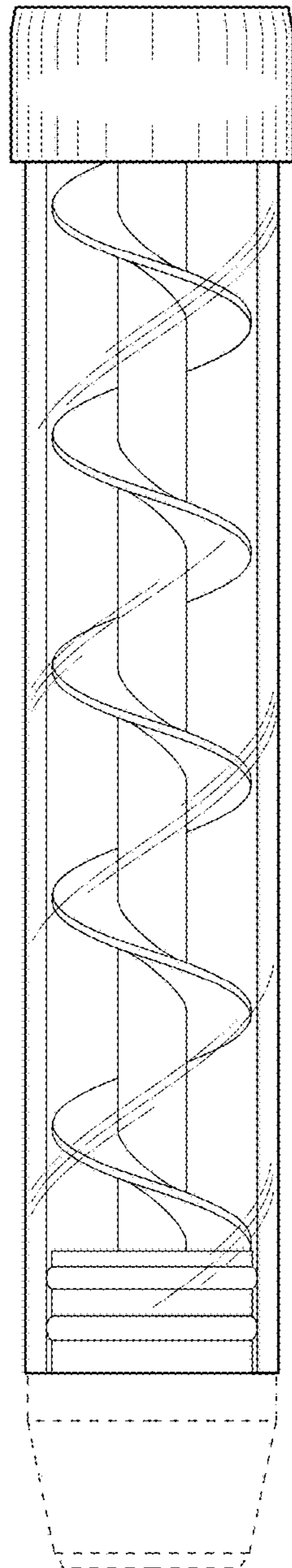


FIG. 5

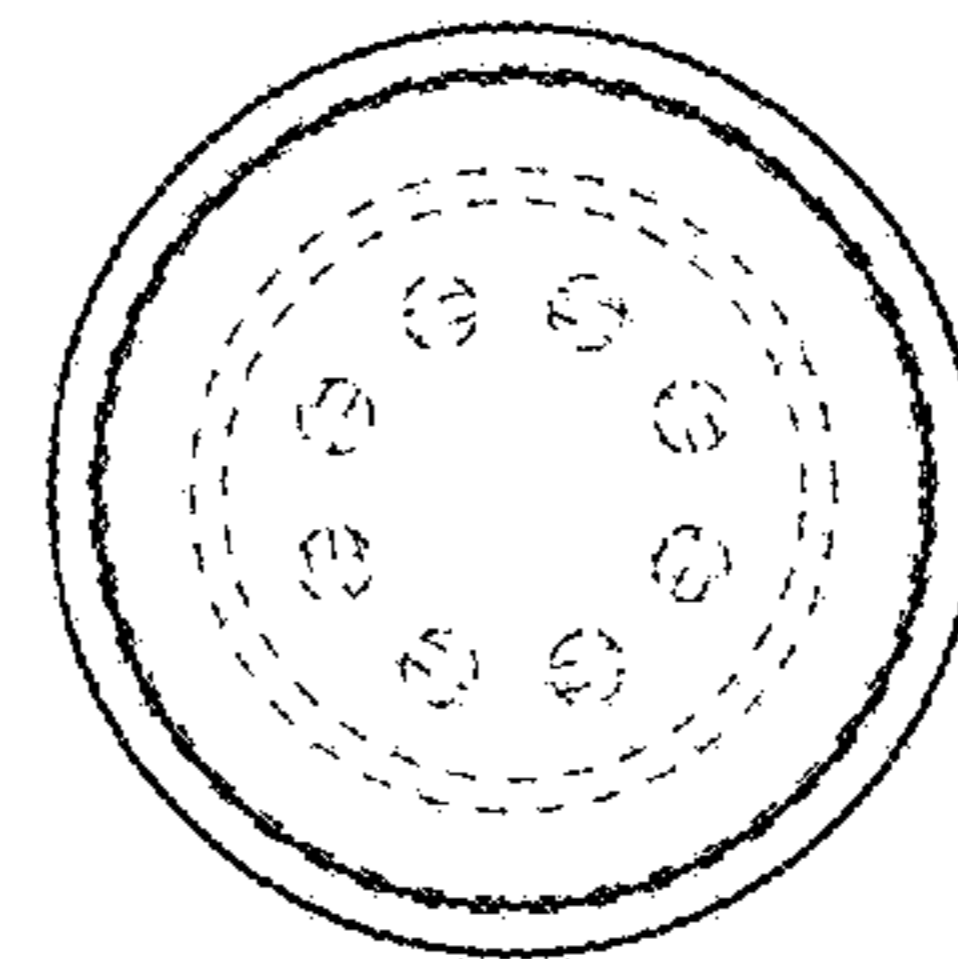


FIG. 6