

US00D860518S

(12) **United States Design Patent** (10) **Patent No.:** **US D860,518 S**  
**Pan** (45) **Date of Patent:** **\*\* Sep. 17, 2019**

(54) **LIGHTER**  
(71) Applicant: **L.A. LIGHTER, INC.**, City of Industry, CA (US)  
(72) Inventor: **Phillip Pan**, City of Industry, CA (US)  
(\*\*) Term: **15 Years**  
(21) Appl. No.: **29/648,774**  
(22) Filed: **May 23, 2018**  
(51) **LOC (12) Cl.** ..... **27-05**  
(52) **U.S. Cl.**  
USPC ..... **D27/141**  
(58) **Field of Classification Search**  
USPC ..... D27/141, 139, 142, 148, 153, 154, 157, 158, 159, 161; D7/416; 431/273, 431/274, 350, 351  
CPC ..... F23Q 2/00; F23Q 2/02; F23Q 2/16; F23Q 2/161; F23Q 2/162; F23Q 2/164; F23Q 2/167; F23Q 7/00; F23Q 7/14; F23Q 7/16; F23Q 7/24; F23Q 7/10  
See application file for complete search history.

D572,405 S \* 7/2008 Yang ..... D27/154  
D574,996 S \* 8/2008 Huang ..... D27/154  
D581,589 S \* 11/2008 Ochiai ..... D27/154  
D759,300 S \* 6/2016 Rahbar ..... D27/154  
D760,428 S \* 6/2016 Rahbar ..... D27/141  
D822,897 S \* 7/2018 Almsberger ..... D27/141  
D829,374 S \* 9/2018 Muller ..... D27/154

\* cited by examiner

*Primary Examiner* — Susan Bennett Hattan  
*Assistant Examiner* — Rebecca Tsehaye  
(74) *Attorney, Agent, or Firm* — Tommy S F Wang;  
Wang IP Law Group, P.C.

(57) **CLAIM**

The ornamental design for a lighter, as shown and described.

**DESCRIPTION**

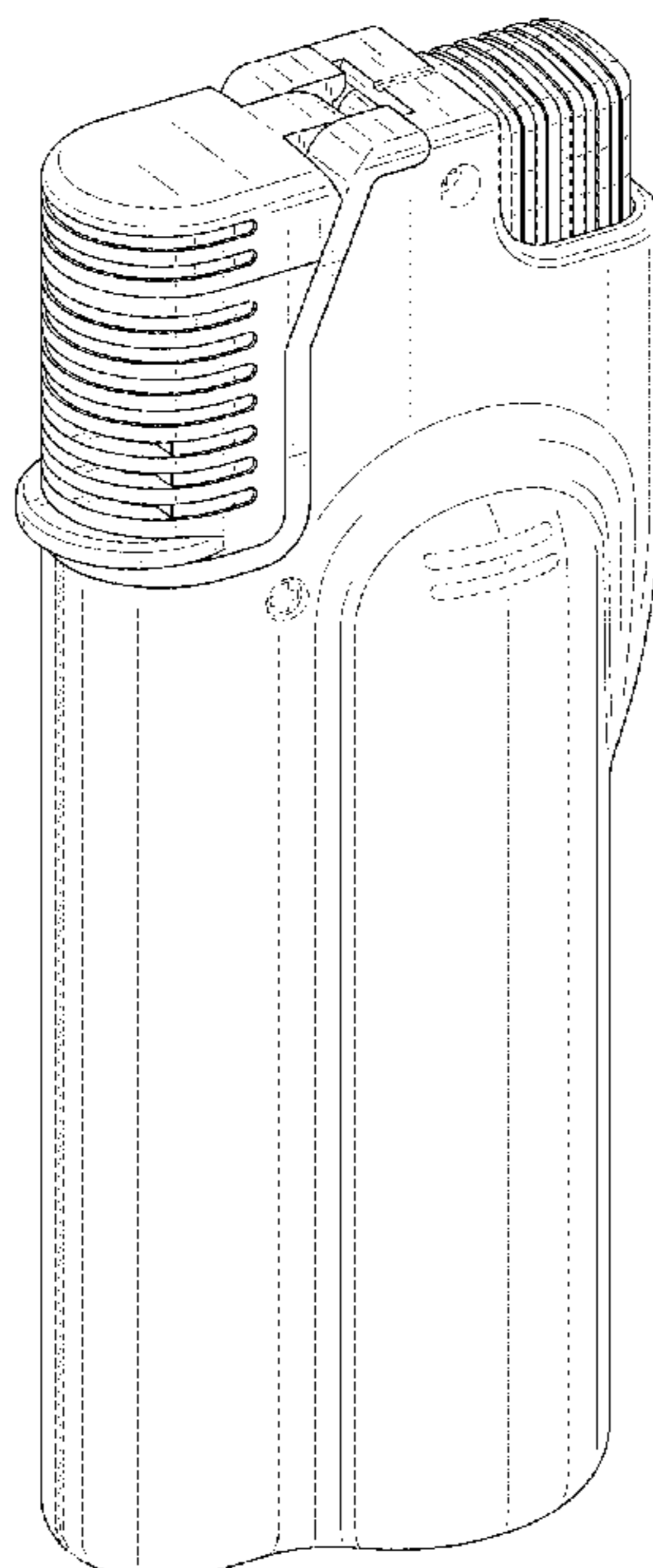
FIG. 1 is a front perspective view of a lighter in a closed position showing my new design;  
FIG. 2 is a rear perspective view thereof;  
FIG. 3 is a front view thereof;  
FIG. 4 is a rear view thereof;  
FIG. 5 is a left side view thereof;  
FIG. 6 is a right side view thereof;  
FIG. 7 is a top view thereof;  
FIG. 8 is a bottom view thereof;  
FIG. 9 is another front perspective view thereof in an opened position; and,  
FIG. 10 is the other front perspective view thereof in the opened position and with a protruded flame nozzle.  
The broken lines in the drawings depict portions of the lighter that form no part of the claimed design.

**1 Claim, 9 Drawing Sheets**

(56) **References Cited**

U.S. PATENT DOCUMENTS

D410,564 S \* 6/1999 Sher ..... D27/141  
D413,180 S \* 8/1999 Maruyama ..... D27/141  
D463,065 S \* 9/2002 Lee ..... D27/157  
D467,683 S \* 12/2002 Lin ..... D27/154  
6,682,341 B2 \* 1/2004 Pan ..... F23Q 2/164  
431/129  
D532,549 S \* 11/2006 Ruan ..... D27/154  
D550,896 S \* 9/2007 Zhi ..... D27/154  
D555,283 S \* 11/2007 Luo ..... D27/154  
D571,503 S \* 6/2008 Lin ..... D27/157



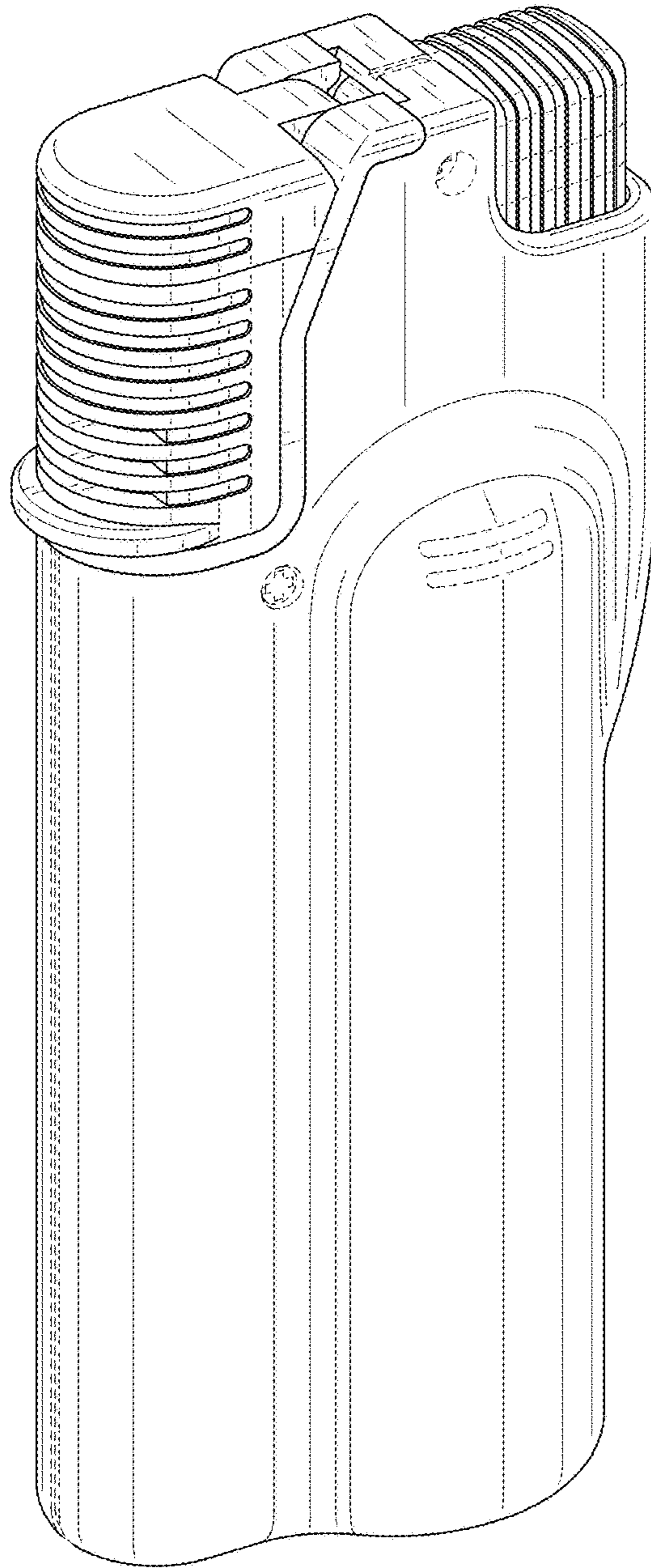


FIG. 1

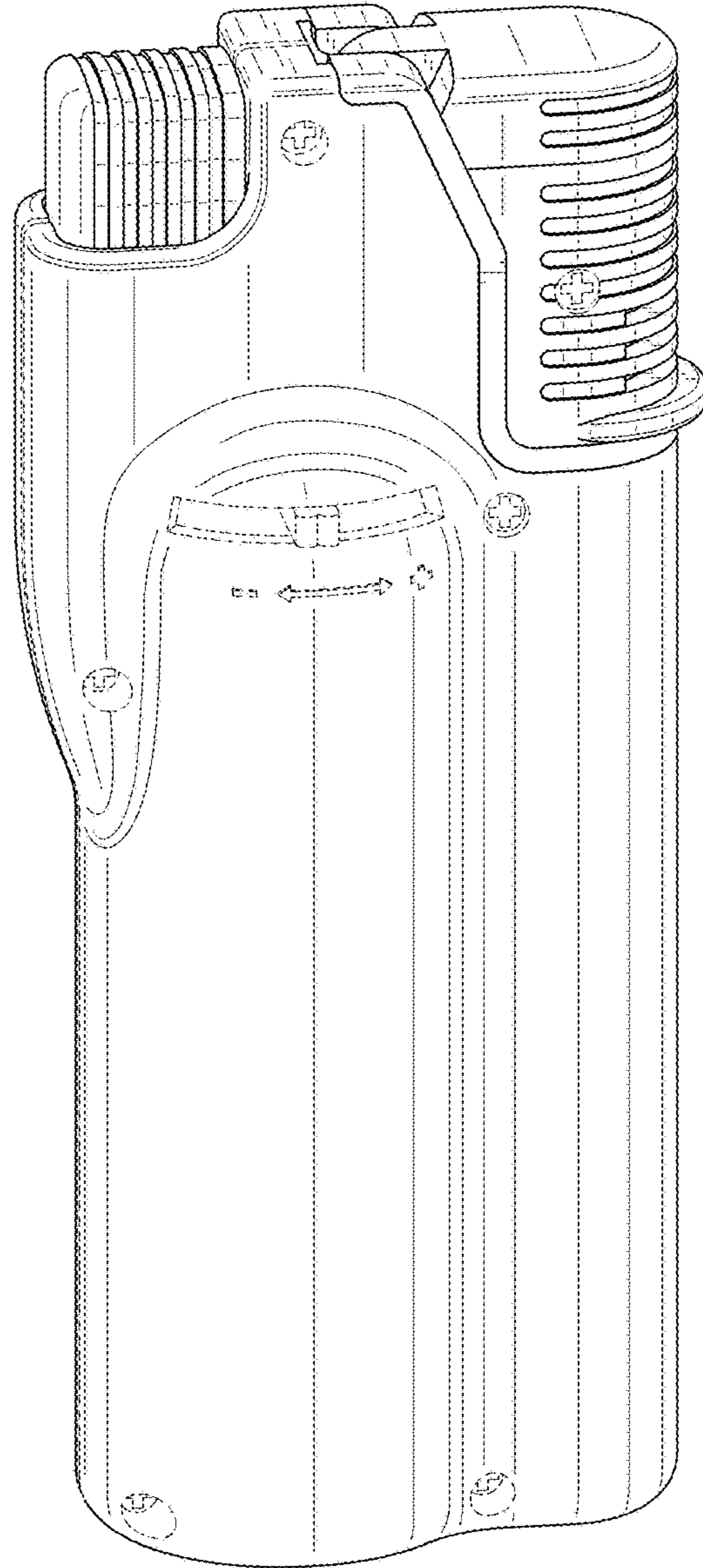


FIG. 2

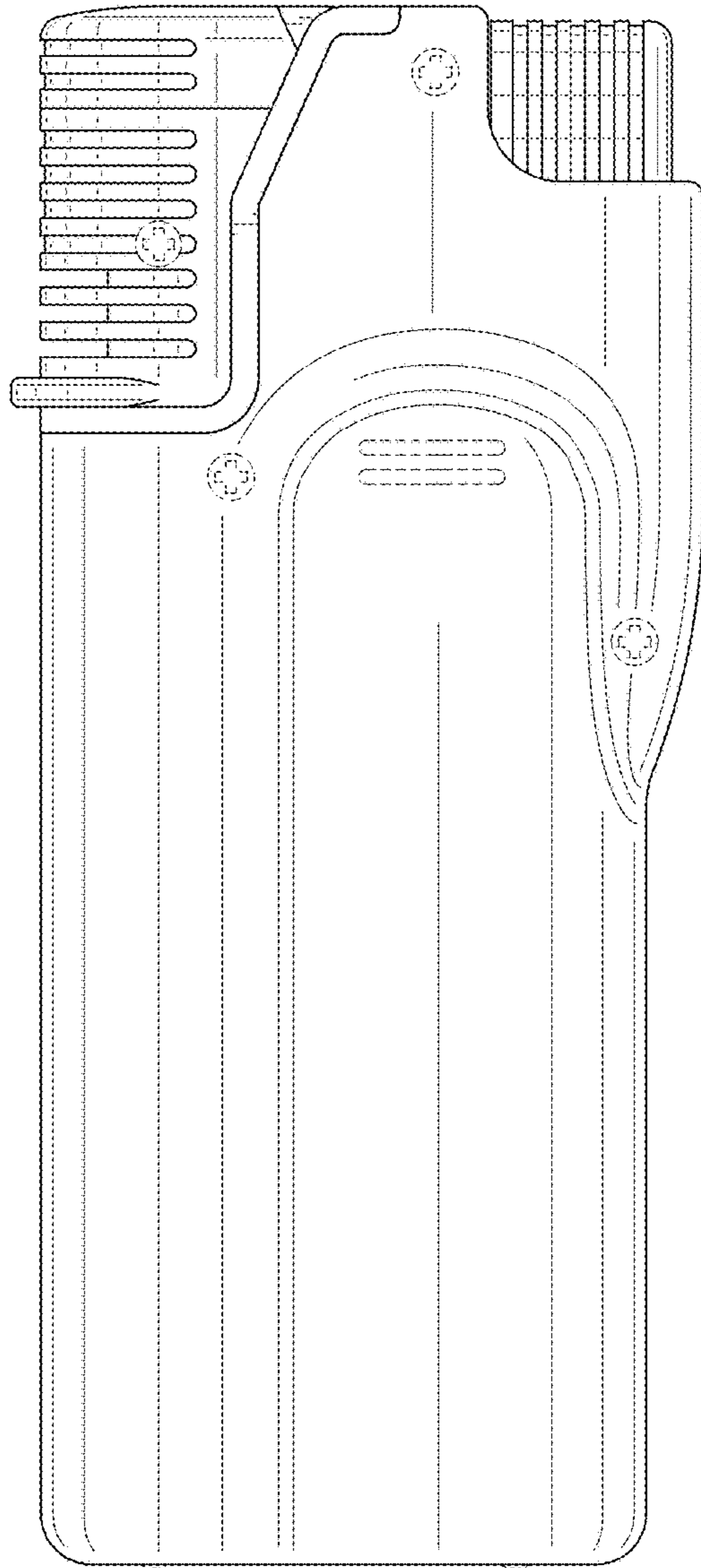


FIG. 3

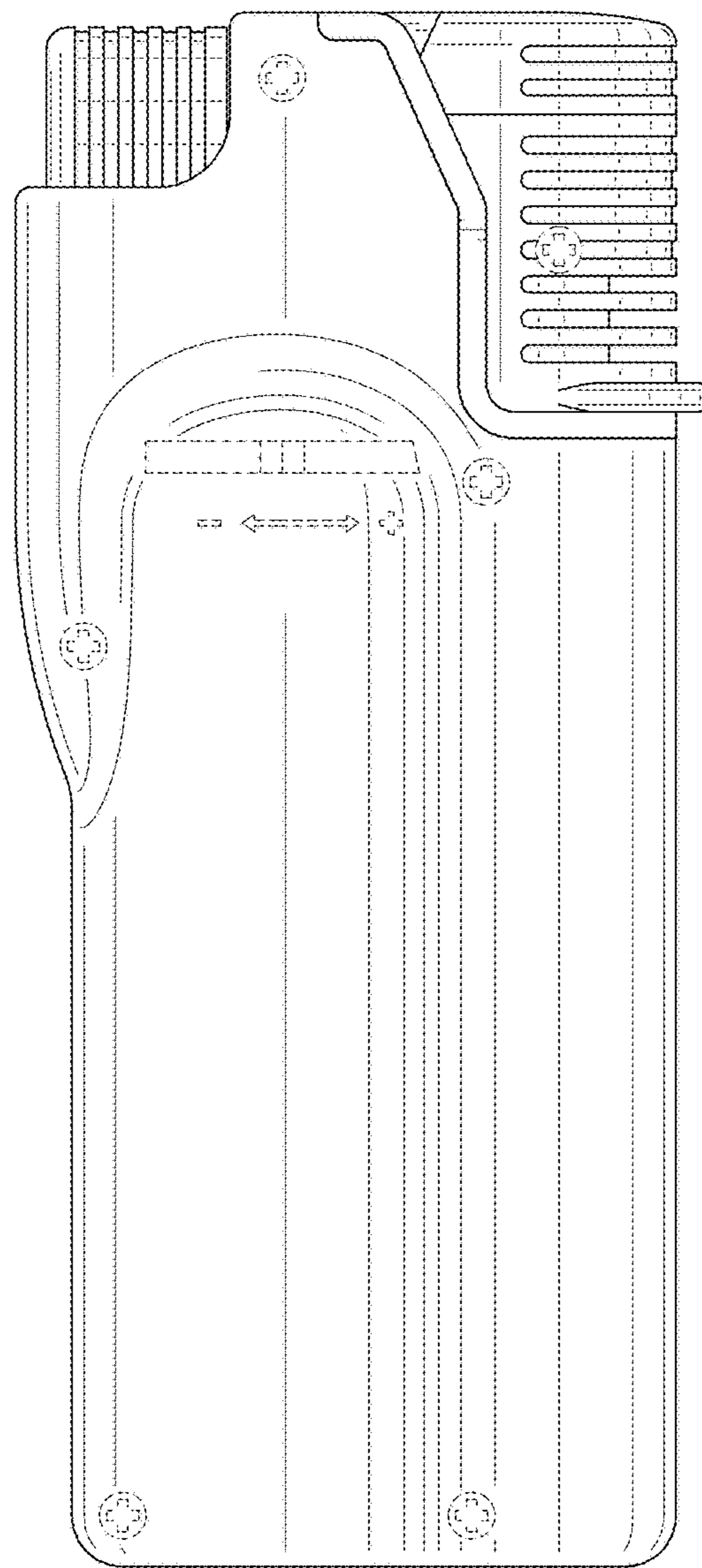


FIG. 4

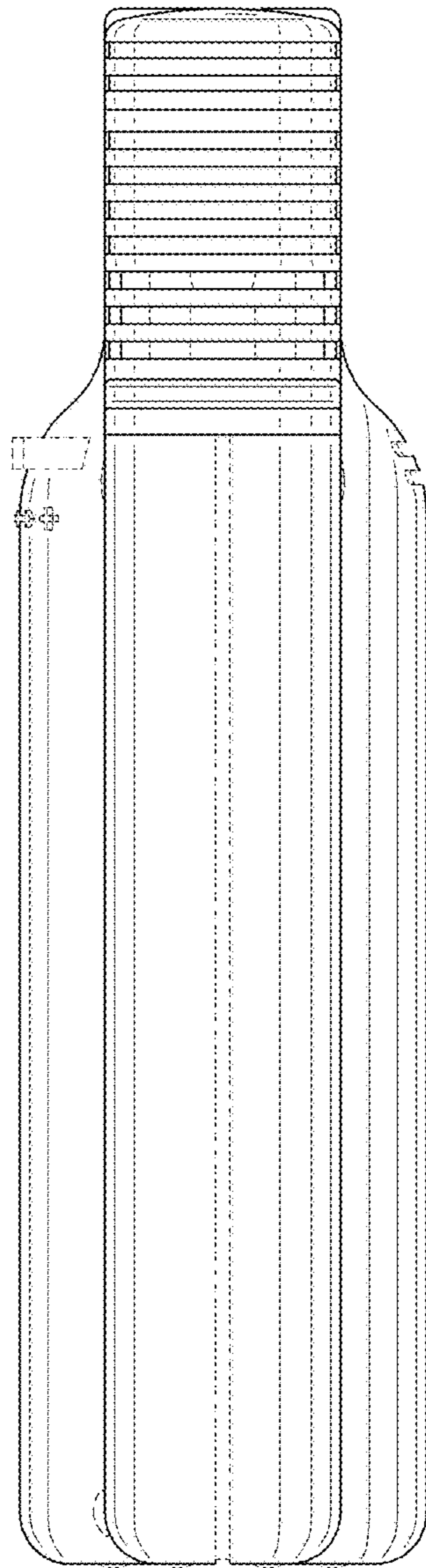


FIG. 5

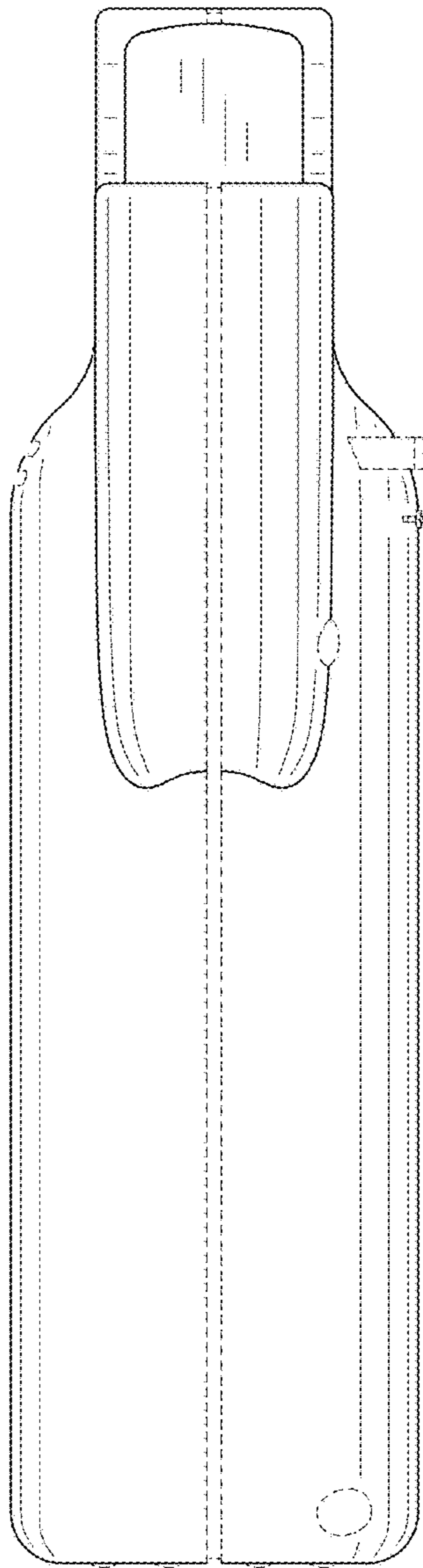


FIG. 6

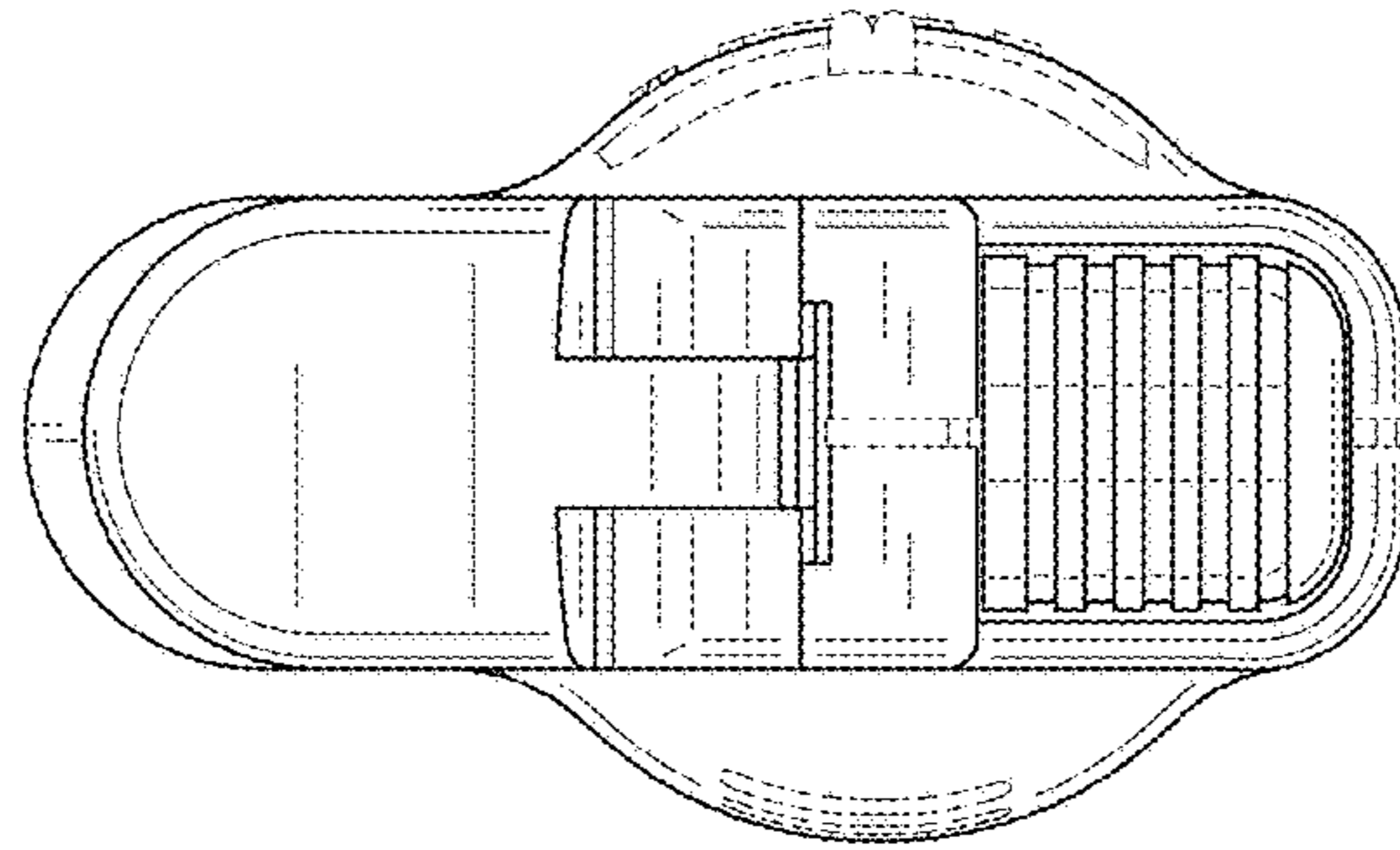


FIG. 7

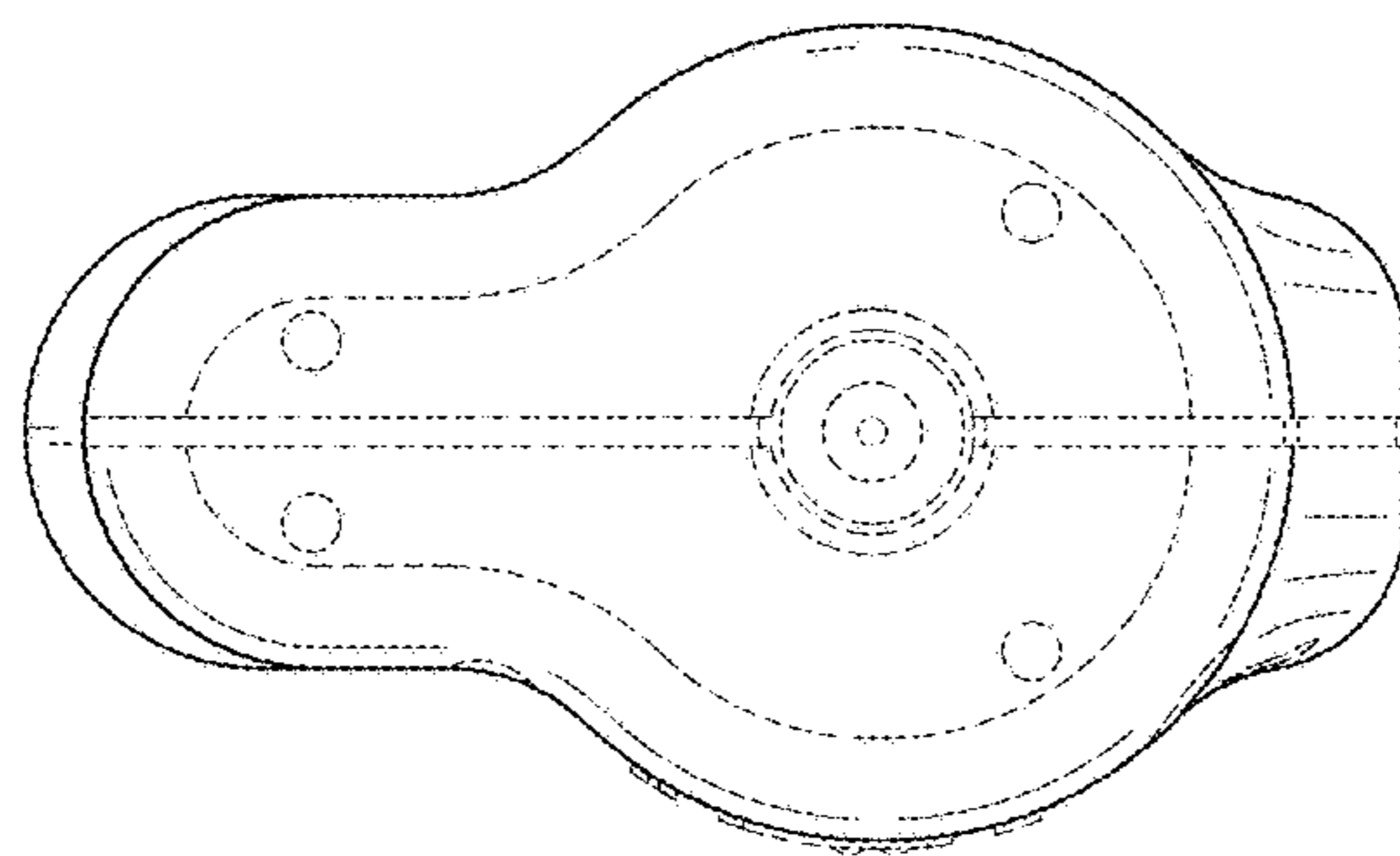


FIG. 8



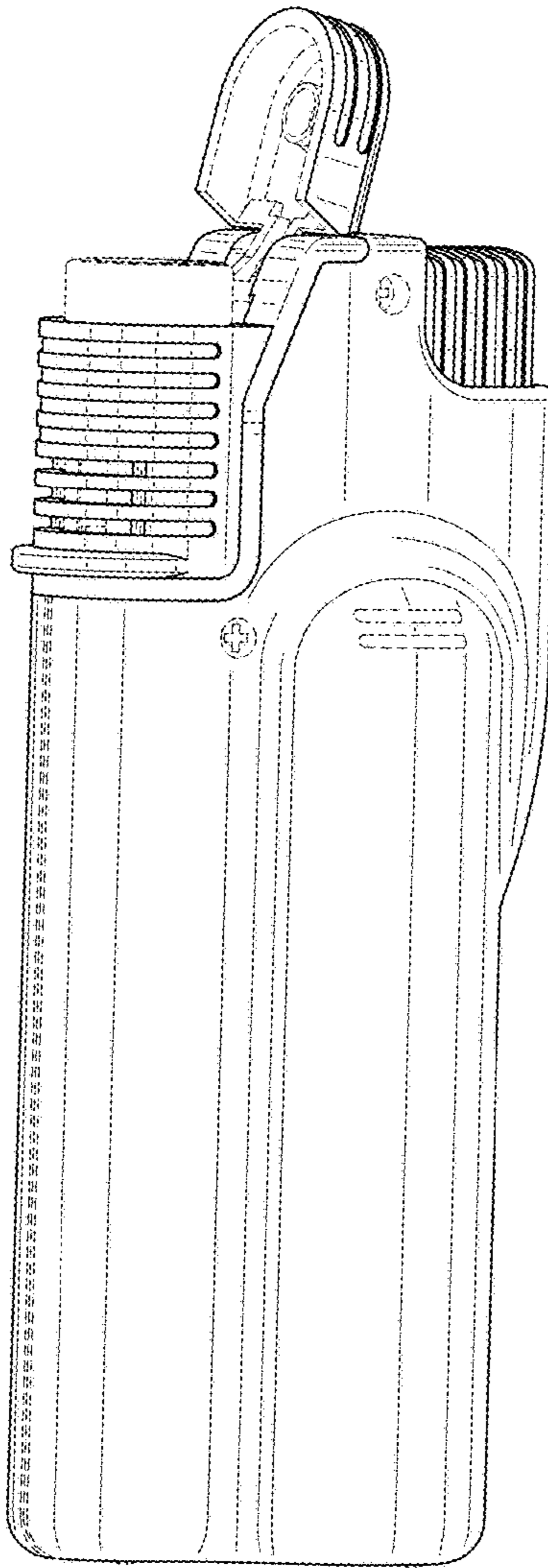


FIG. 9

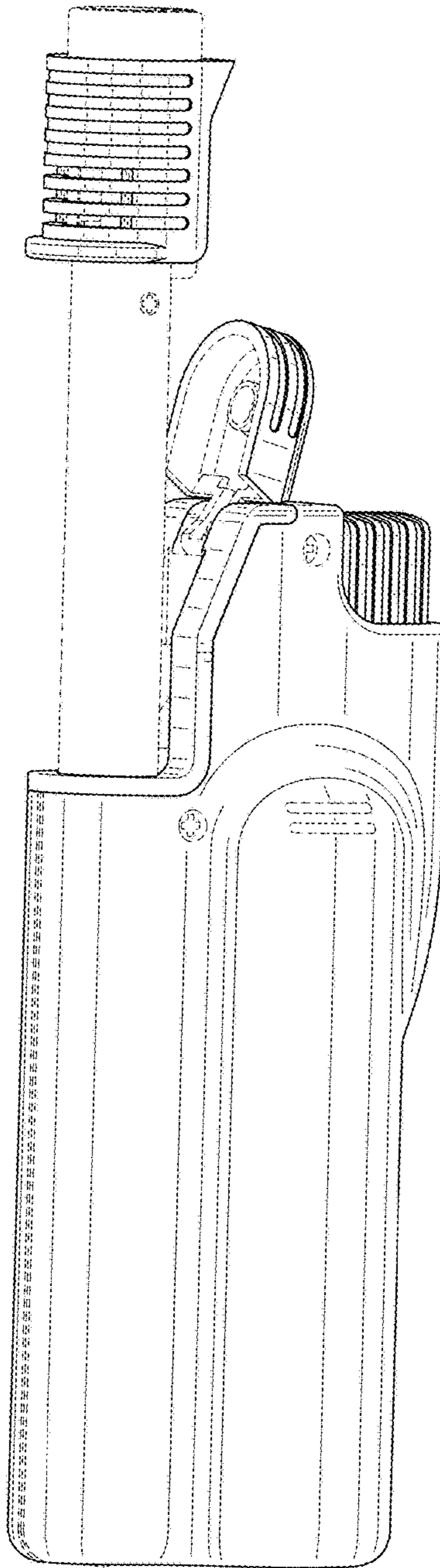


FIG. 10