

US00D860514S

(12) **United States Design Patent** (10) **Patent No.:** **US D860,514 S**  
**Sperling** (45) **Date of Patent:** **\*\* Sep. 17, 2019**

- (54) **LIGHT FIXTURE**
- (71) Applicant: **Maxim Lighting International, Inc.,**  
City of Industry, CA (US)
- (72) Inventor: **Jacob Sperling,** City of Industry, CA  
(US)
- (73) Assignee: **Maxim Lighting International, Inc.,**  
City of Industry, CA (US)
- (\*\*) Term: **15 Years**
- (21) Appl. No.: **29/590,421**
- (22) Filed: **Jan. 10, 2017**
- (51) **LOC (12) Cl.** ..... **26-05**
- (52) **U.S. Cl.**  
USPC ..... **D26/154**
- (58) **Field of Classification Search**  
USPC ..... D26/60, 74, 75, 76, 77, 78, 79, 80-85,  
D26/120, 121, 122, 128, 140, 145, 152,  
D26/154, 155  
CPC ..... F21S 2/00; F21S 4/003  
See application file for complete search history.

D659,899 S *	5/2012	Kong	.....	D26/138
D665,124 S *	8/2012	Gut	.....	D26/154
D701,994 S *	4/2014	Schuyler	.....	D26/142
D703,866 S *	4/2014	Schuyler	.....	D26/142
D757,328 S *	5/2016	Anderson	.....	D26/84
D766,500 S *	9/2016	Nahabedian	.....	D26/154
D774,680 S *	12/2016	Vidmar	.....	D26/84
D796,729 S *	9/2017	Sonneman	.....	D26/118
D797,354 S *	9/2017	Sonneman	.....	D26/118
D797,355 S *	9/2017	Sonneman	.....	D26/118
D797,356 S *	9/2017	Sonneman	.....	D26/118
D797,979 S *	9/2017	Sonneman	.....	D26/84
D800,369 S *	10/2017	Sonneman	.....	D26/84

\* cited by examiner

*Primary Examiner* — Mark A Goodwin  
*Assistant Examiner* — Benjamin M Weeks  
(74) *Attorney, Agent, or Firm* — Polsinelli PC; Adam C. Rehm

(57) **CLAIM**

The ornamental design for a light fixture, as shown and described.

**DESCRIPTION**

FIG. 1 is a front, top side perspective view of a light fixture according to the new design;  
FIG. 2 is a front side elevation view thereof;  
FIG. 3 is a rear side elevation view thereof;  
FIG. 4 is a left side elevation view thereof;  
FIG. 5 is a right side elevation view thereof;  
FIG. 6 is a top plan view thereof;  
FIG. 7 is a bottom plan view thereof; and,  
FIG. 8 is a front, bottom, right side perspective view thereof.  
The broken lines shown on the drawings depict portions of the light fixture that form no part of the claimed design.

**1 Claim, 8 Drawing Sheets**

(56) **References Cited**

U.S. PATENT DOCUMENTS

D121,211 S *	6/1940	Levin	.....	D26/154
D403,796 S *	1/1999	Crosby	.....	D26/85
D430,503 S *	9/2000	Kavalek	.....	D11/90
D439,864 S *	4/2001	Cohen	.....	A44C 17/001
				D11/90
D534,303 S *	12/2006	Yando	.....	D26/154
D576,349 S *	9/2008	Mair	.....	D26/154
D626,685 S *	11/2010	Gut	.....	D26/154
D638,575 S *	5/2011	Meyer	.....	D26/154
D649,283 S *	11/2011	Wegscheider	.....	D26/154

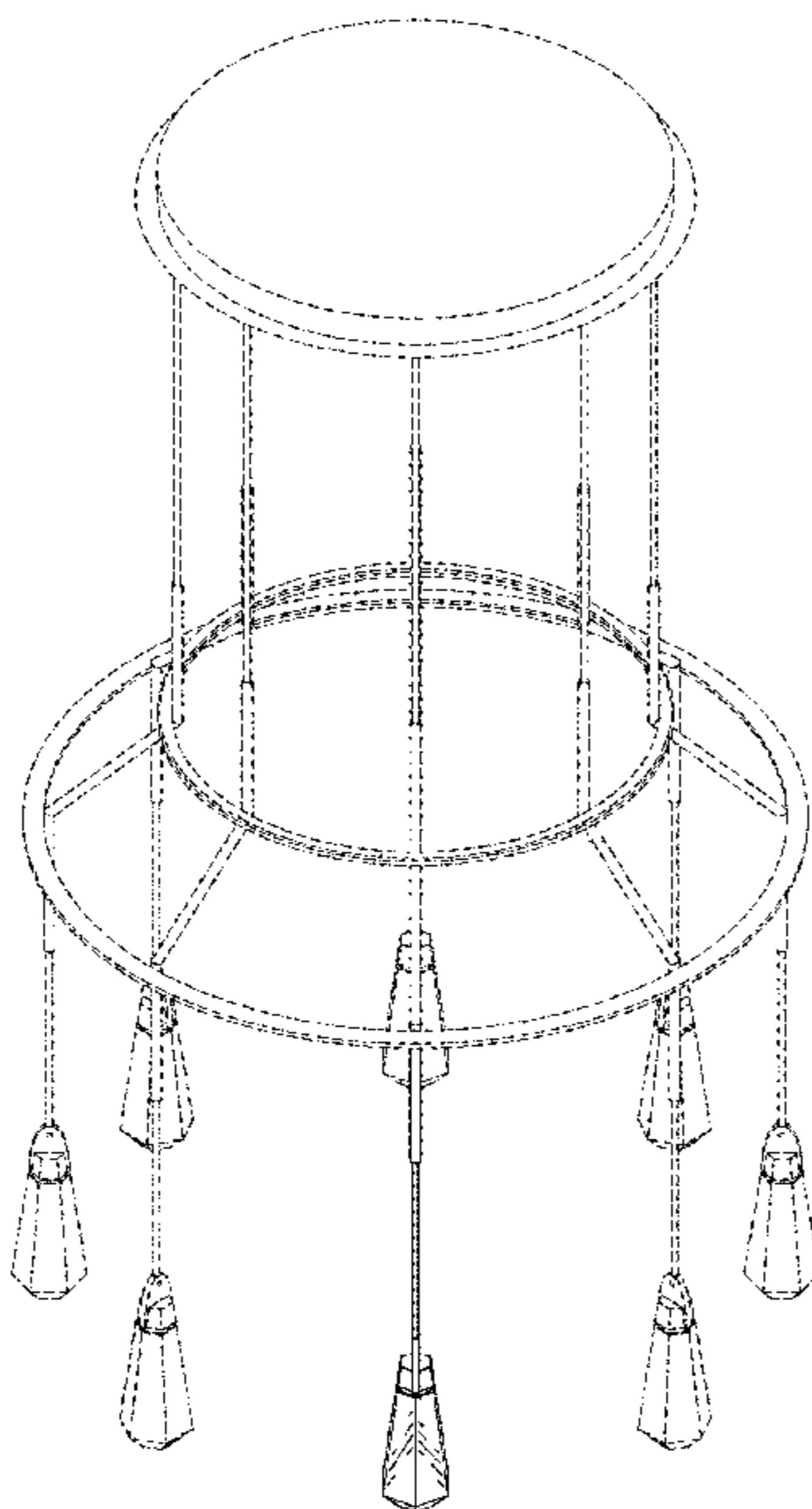


FIG. 1

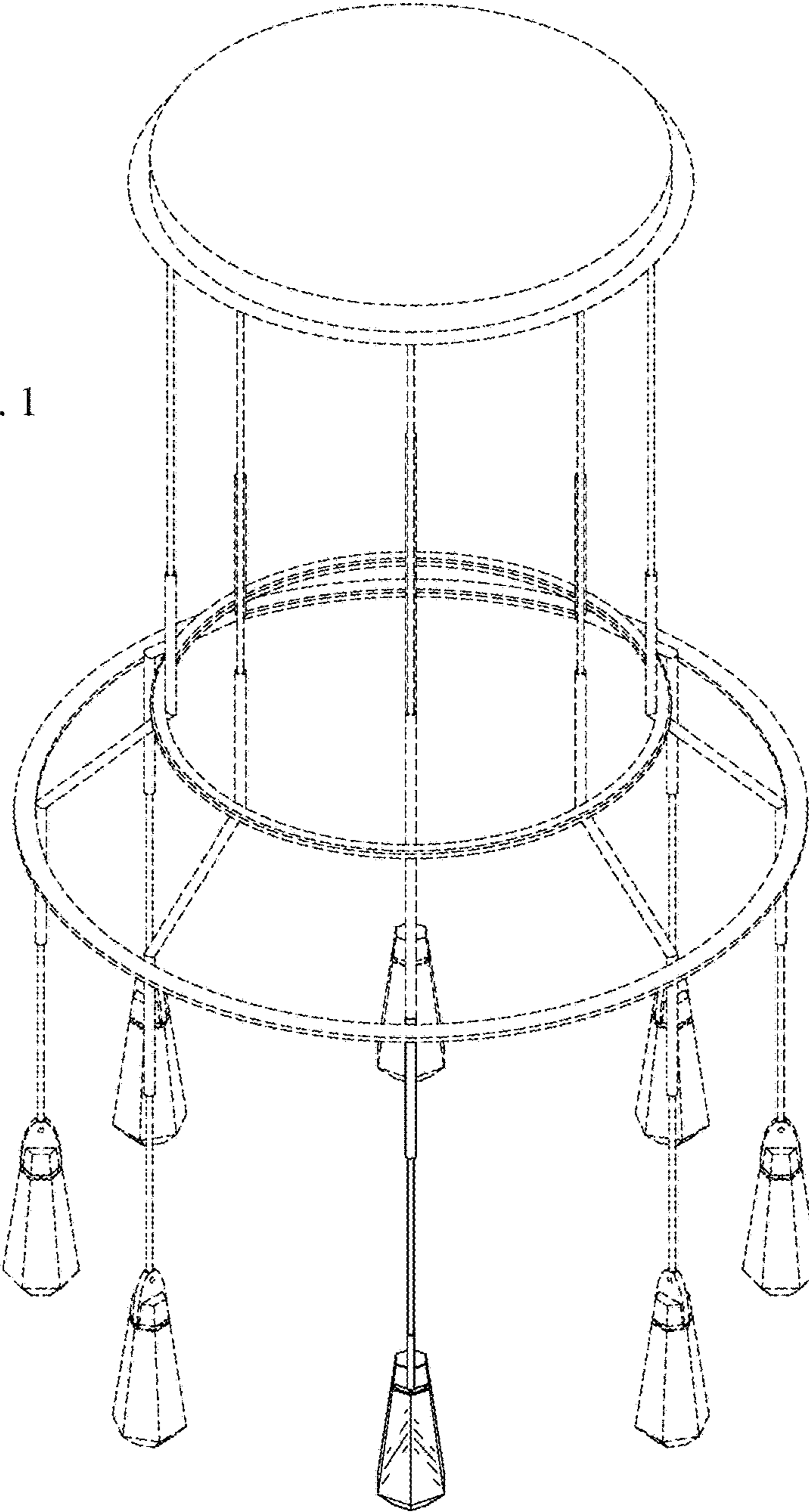


FIG. 2

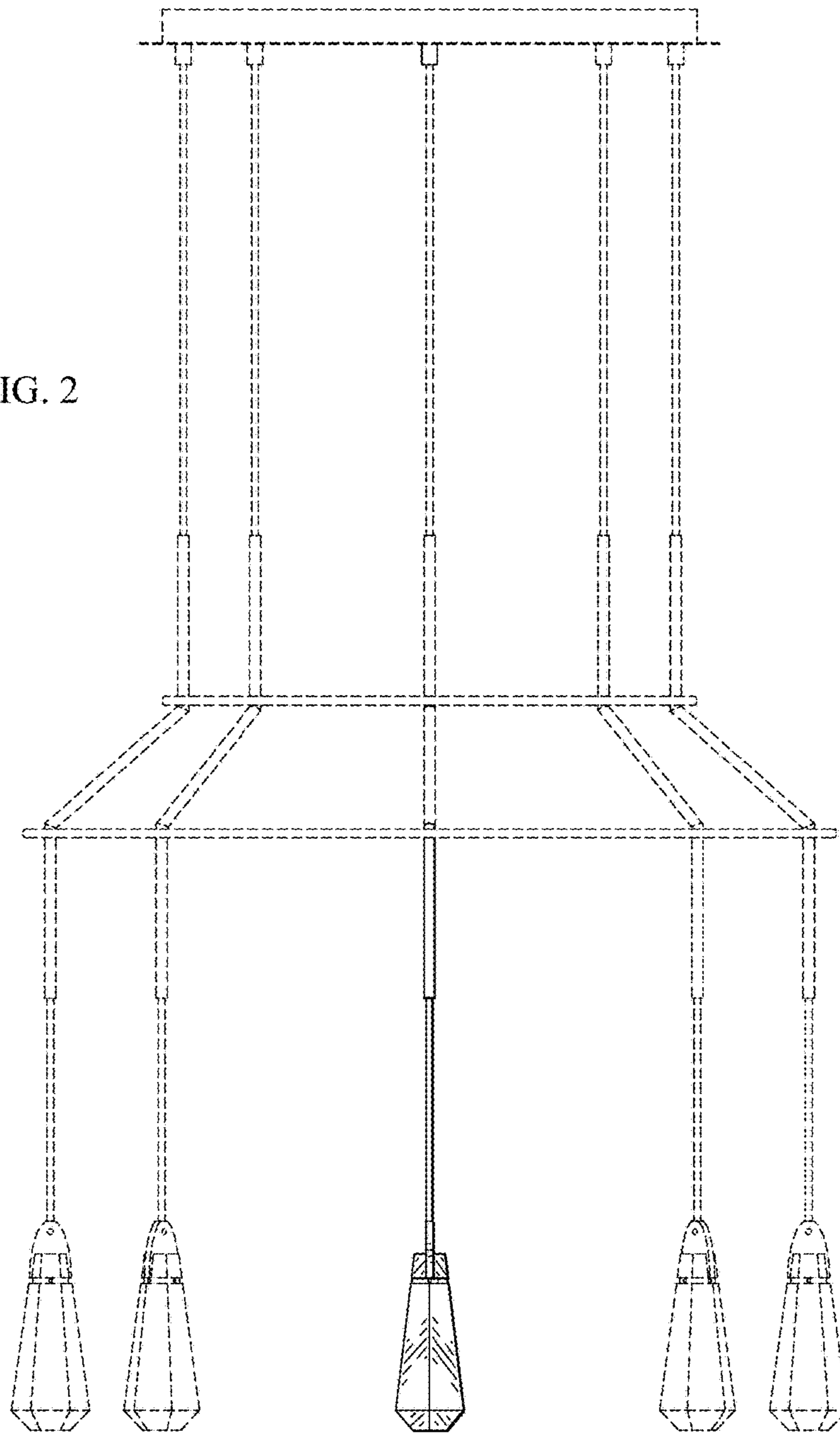


FIG. 3

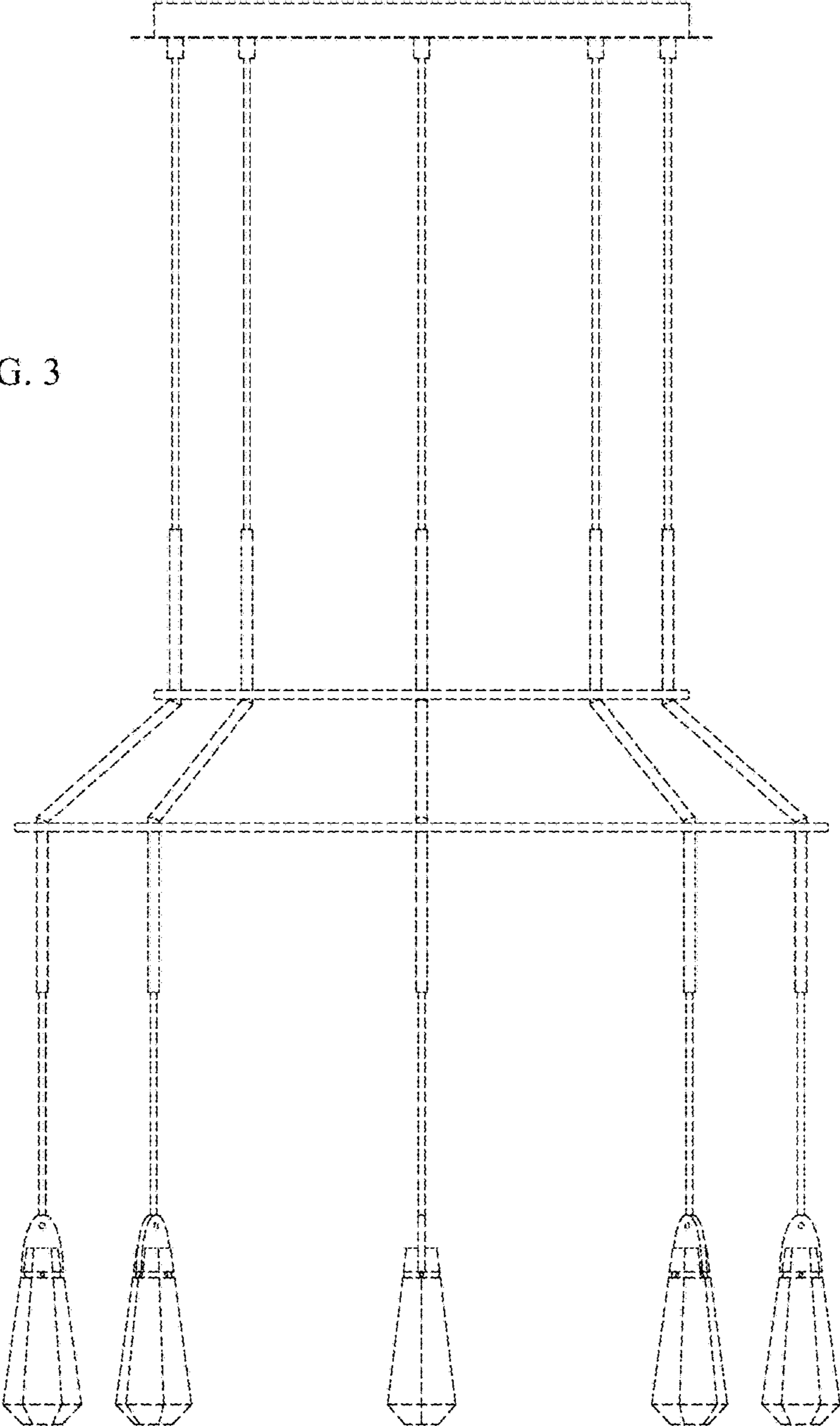


FIG. 4

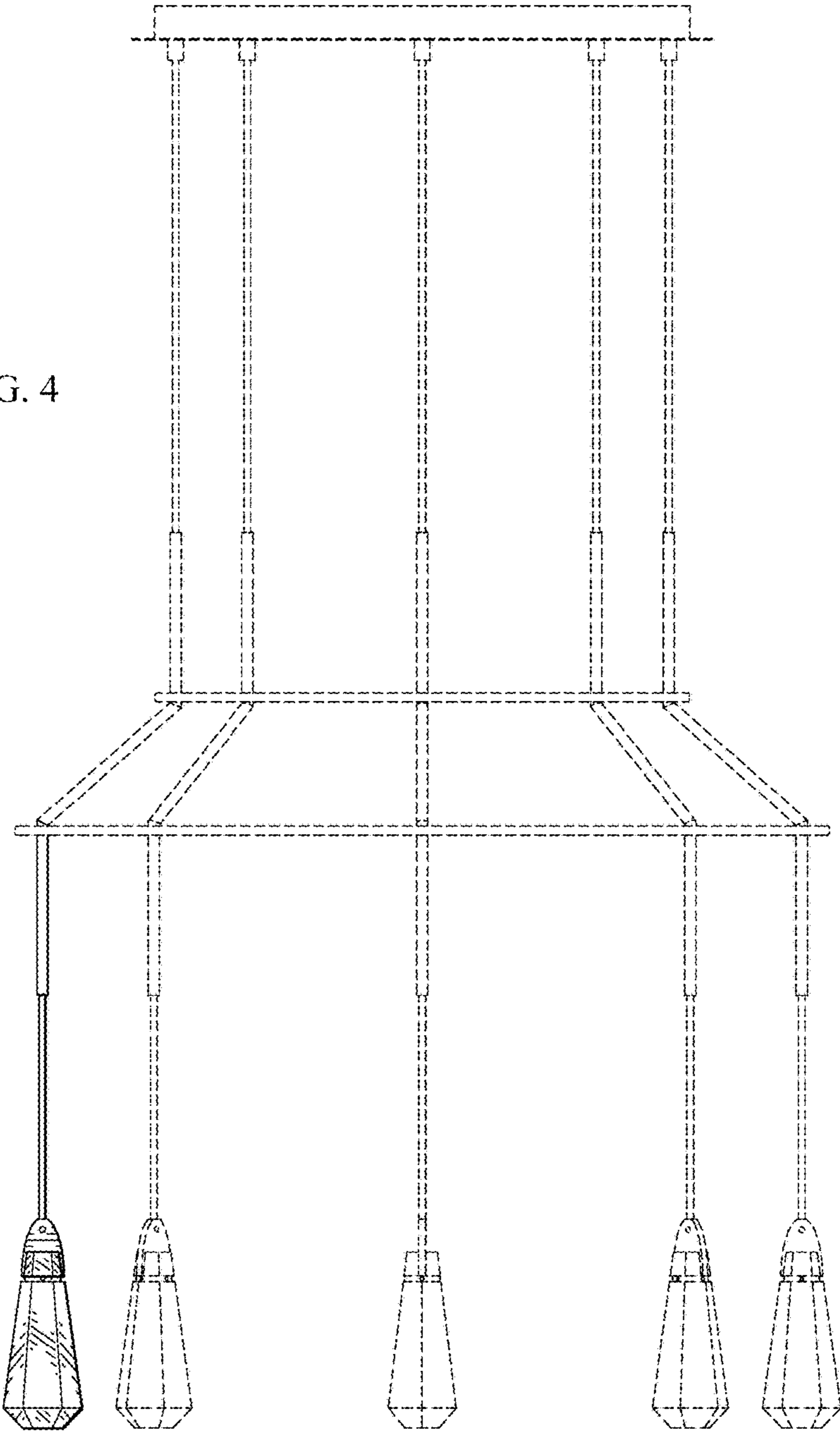
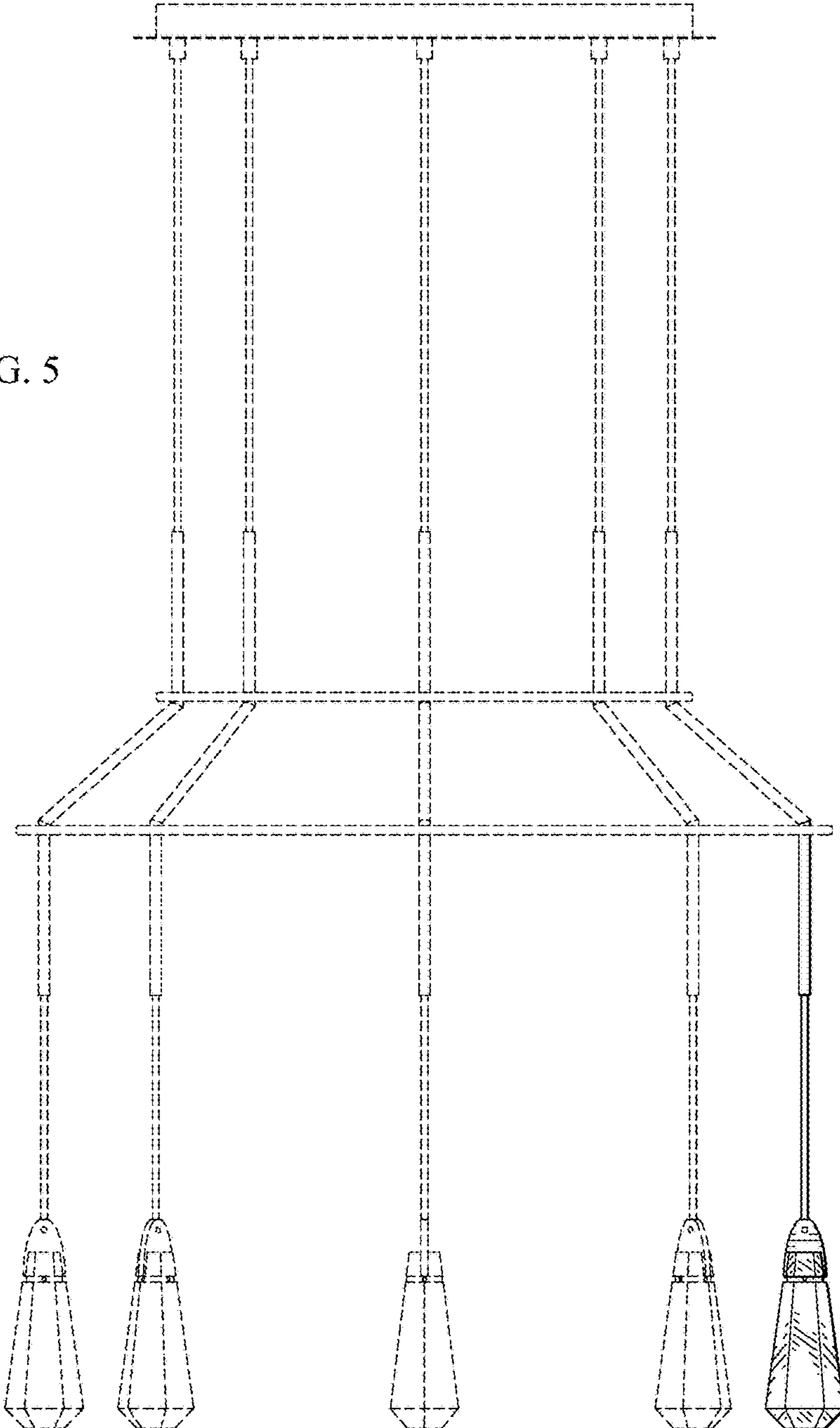


FIG. 5



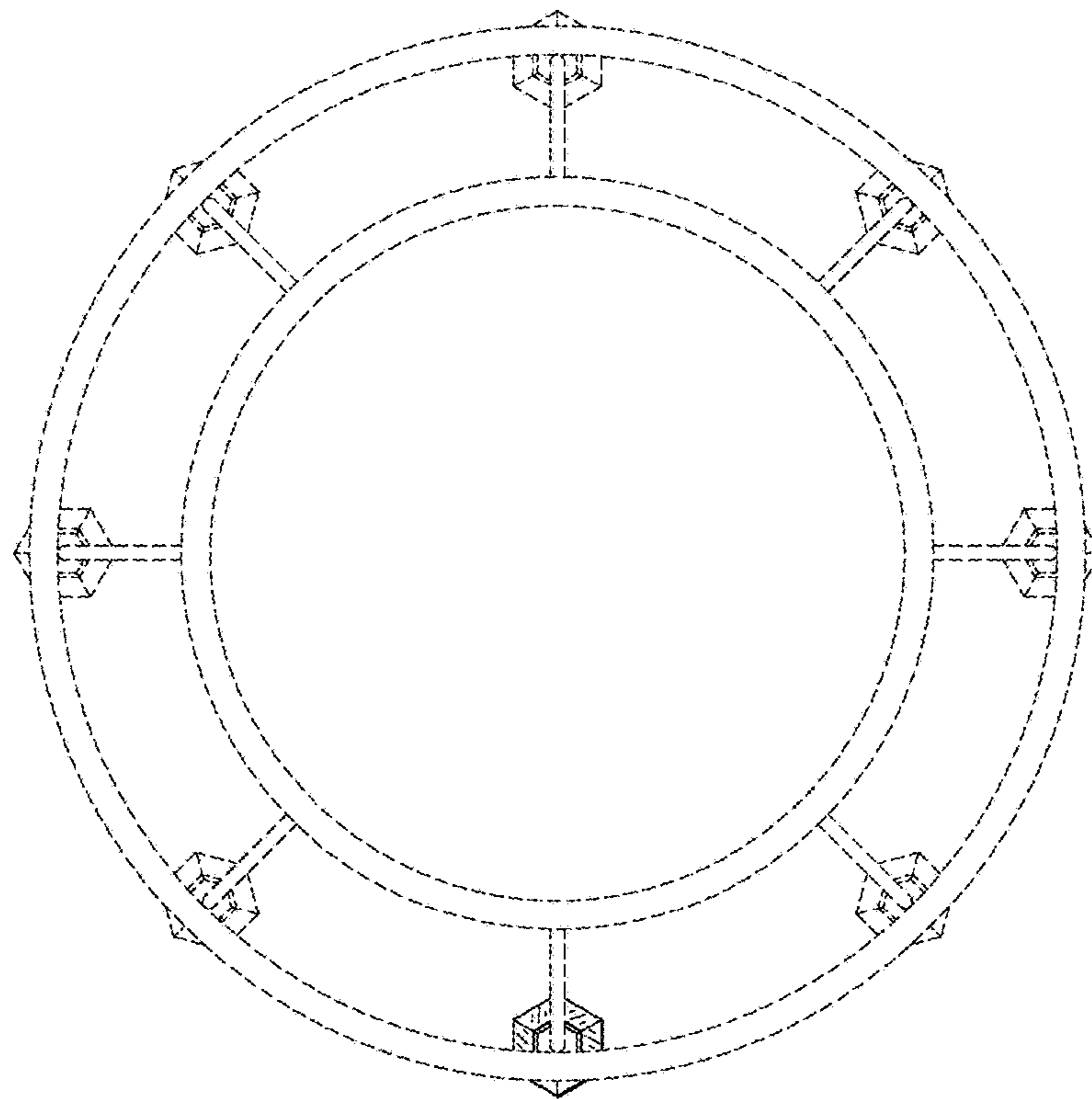


FIG. 6

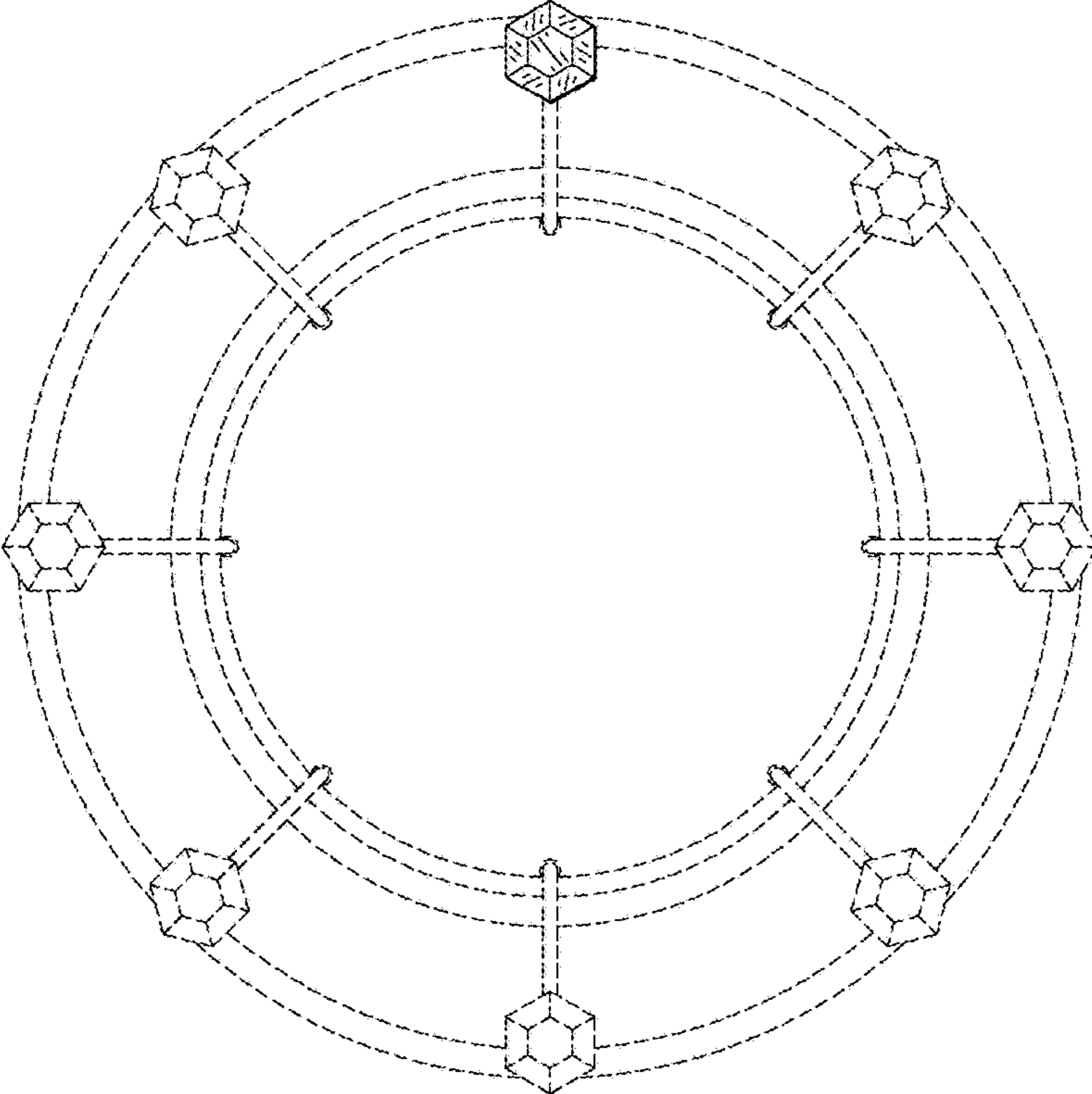


FIG. 7



FIG. 8

