



US00D860513S

(12) **United States Design Patent**
Yang et al.

(10) **Patent No.:** **US D860,513 S**

(45) **Date of Patent:** **** Sep. 17, 2019**

(54) **LAMPHOLDER FOR DISCHARGE LAMP**

(71) Applicant: **Shenzhen Longood Intelligent Electric Co., Ltd**, Shenzhen, Guangdong (CN)

(72) Inventors: **Xiong Yang**, Guangdong (CN); **Fei Liao**, Guangdong (CN); **Qingsong Chu**, Guangdong (CN); **Wei Wu**, Guangdong (CN)

(73) Assignee: **Shenzhen Longood Intelligent Electric Co., Ltd**, Shenzhen (CN)

(**) Term: **15 Years**

(21) Appl. No.: **29/636,552**

(22) Filed: **Feb. 9, 2018**

(30) **Foreign Application Priority Data**

Sep. 21, 2017 (CN) 2017 3 0450788

(51) **LOC (12) Cl.** **26-05**

(52) **U.S. Cl.**
USPC **D26/142**

(58) **Field of Classification Search**
USPC D26/1, 2, 3, 26, 42, 65, 67, 68, 72, 79,
D26/81, 84, 88, 85, 87, 113, 114, 118,
D26/124, 128, 131, 134, 138, 140, 141,
D26/142, 143, 152, 153
CPC F21S 8/03; F21S 8/031; F21S 8/033; F21S
8/036; F21S 9/03; F21S 9/037; F21V
21/025; F21V 17/08; F21V 17/10
See application file for complete search history.

(56) **References Cited**

U.S. PATENT DOCUMENTS

4,939,359 A * 7/1990 Freeman G01V 8/10
250/221
D535,775 S * 1/2007 Lueken D26/67

D707,386 S * 6/2014 McKenzie D26/142
9,513,424 B2 * 12/2016 Castillo G02B 6/0046
D791,994 S * 7/2017 Liu D10/106.8
D796,111 S * 8/2017 Trzcielinski D26/142
D802,199 S * 11/2017 Zhuo D26/85
D803,456 S * 11/2017 Yang D26/85
D805,236 S * 12/2017 Exley D26/85
D813,439 S * 3/2018 Hou D26/85
D816,259 S * 4/2018 Liu D26/85
9,945,540 B2 * 4/2018 Zheng F21V 17/107
D822,874 S * 7/2018 Hu D26/85
D825,365 S * 8/2018 Van Der Bijl D10/104.1
D829,956 S * 10/2018 Liu D26/85

* cited by examiner

Primary Examiner — Mark A Goodwin

Assistant Examiner — Benjamin M Weeks

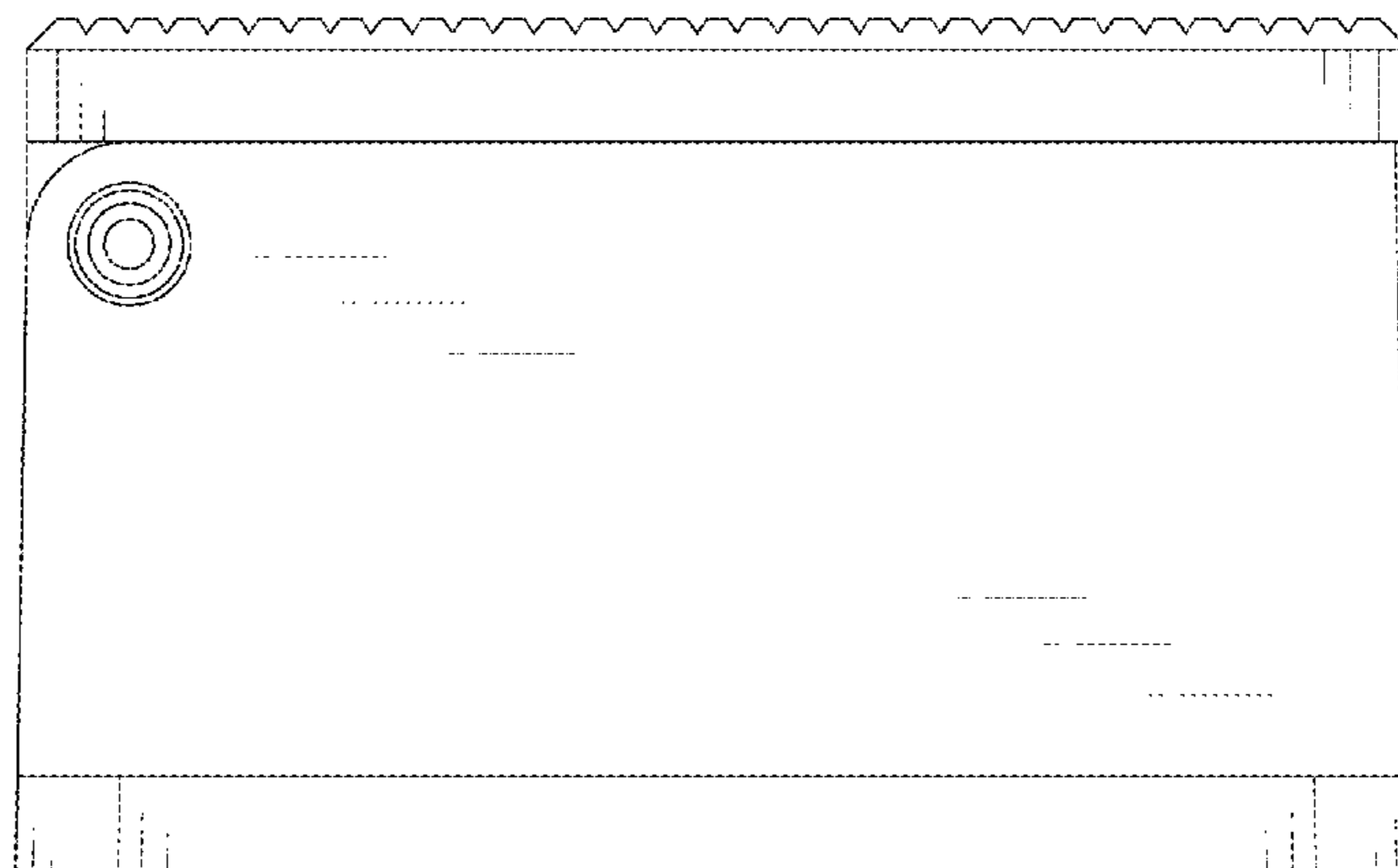
(57) **CLAIM**

The ornamental design for a lampholder for discharge lamp, as shown and described.

DESCRIPTION

FIG. 1 is a front elevational view of a lampholder for discharge lamp showing our new design;
FIG. 2 is a rear elevational view thereof;
FIG. 3 is a left side view thereof;
FIG. 4 is a right side view thereof;
FIG. 5 is a top plan view thereof;
FIG. 6 is a bottom plan view thereof;
FIG. 7 is a front, right and top perspective view thereof; and,
FIG. 8 is a rear, left and bottom perspective view thereof.
The broken lines in the drawings illustrate portions of the lampholder for discharge lamp which form no part of the claimed design.

1 Claim, 8 Drawing Sheets



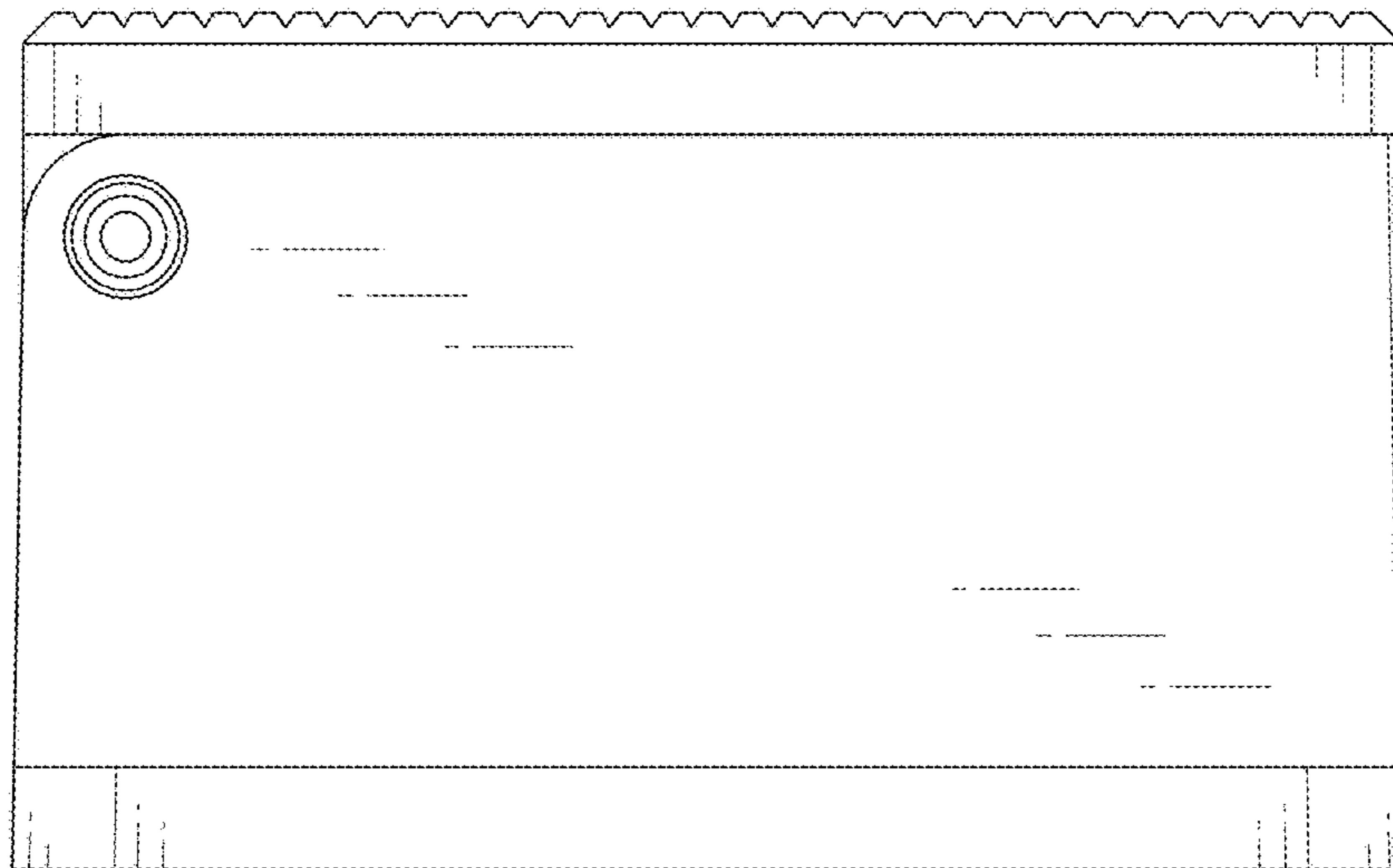


FIG.1

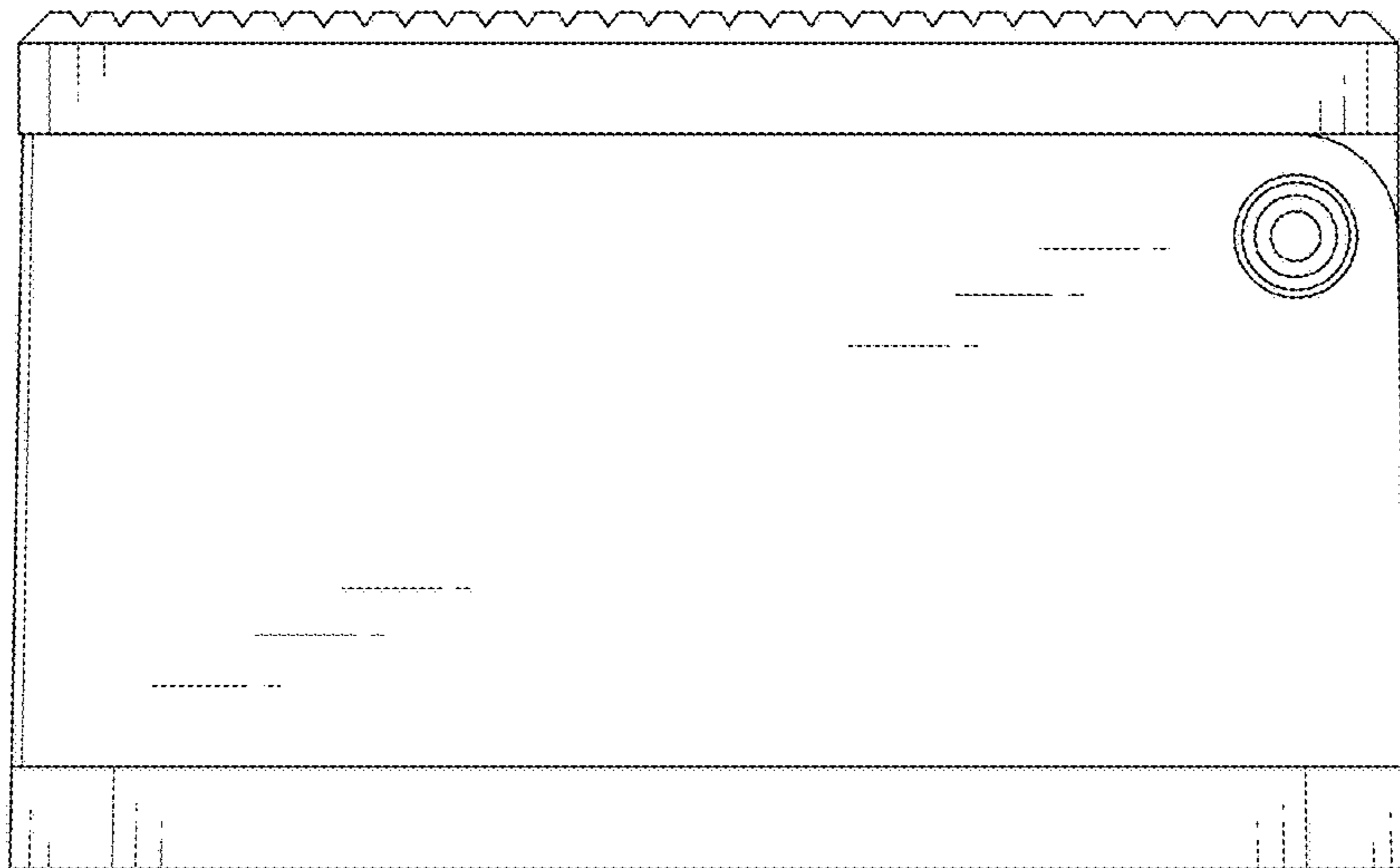


FIG.2

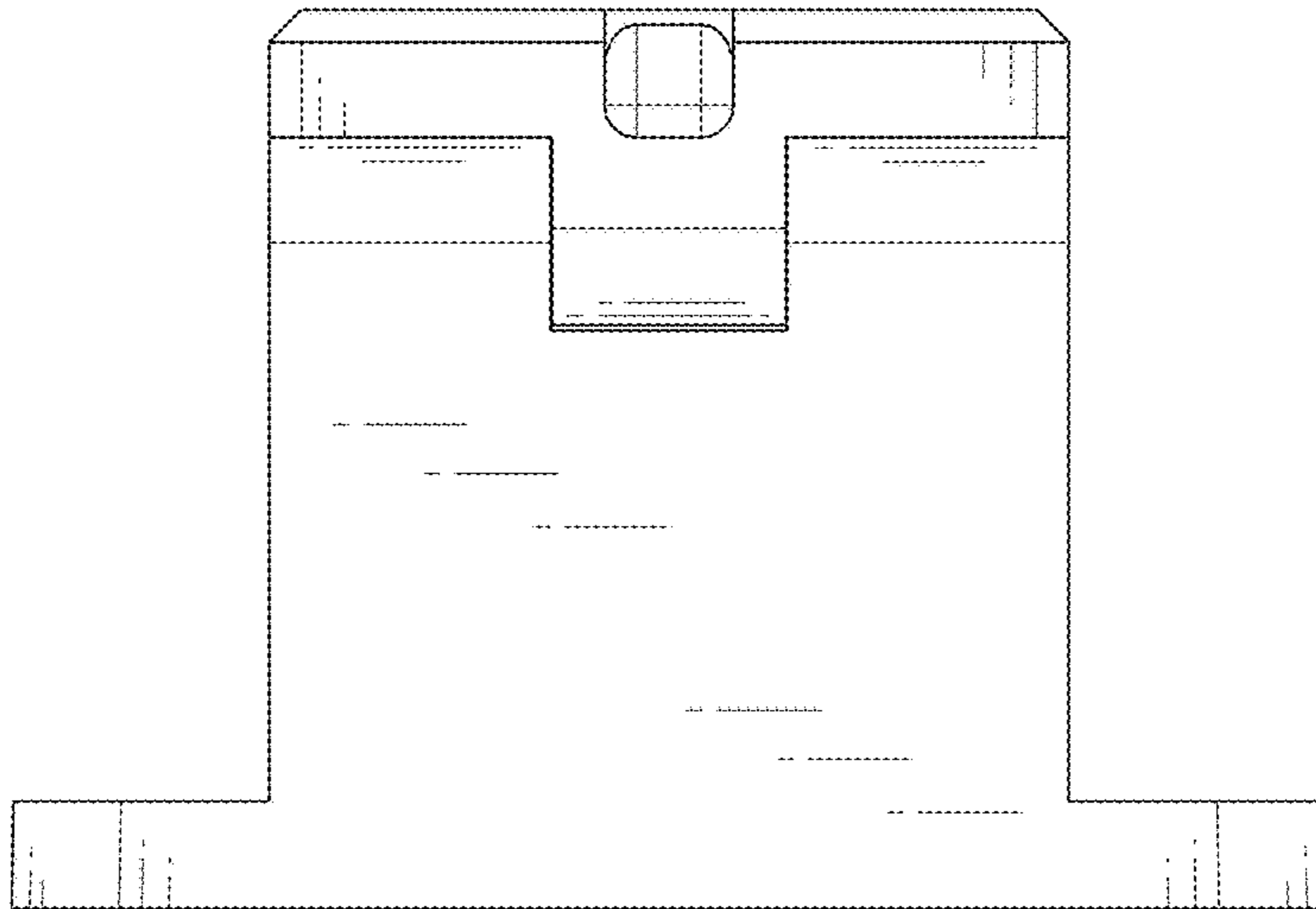


FIG.3

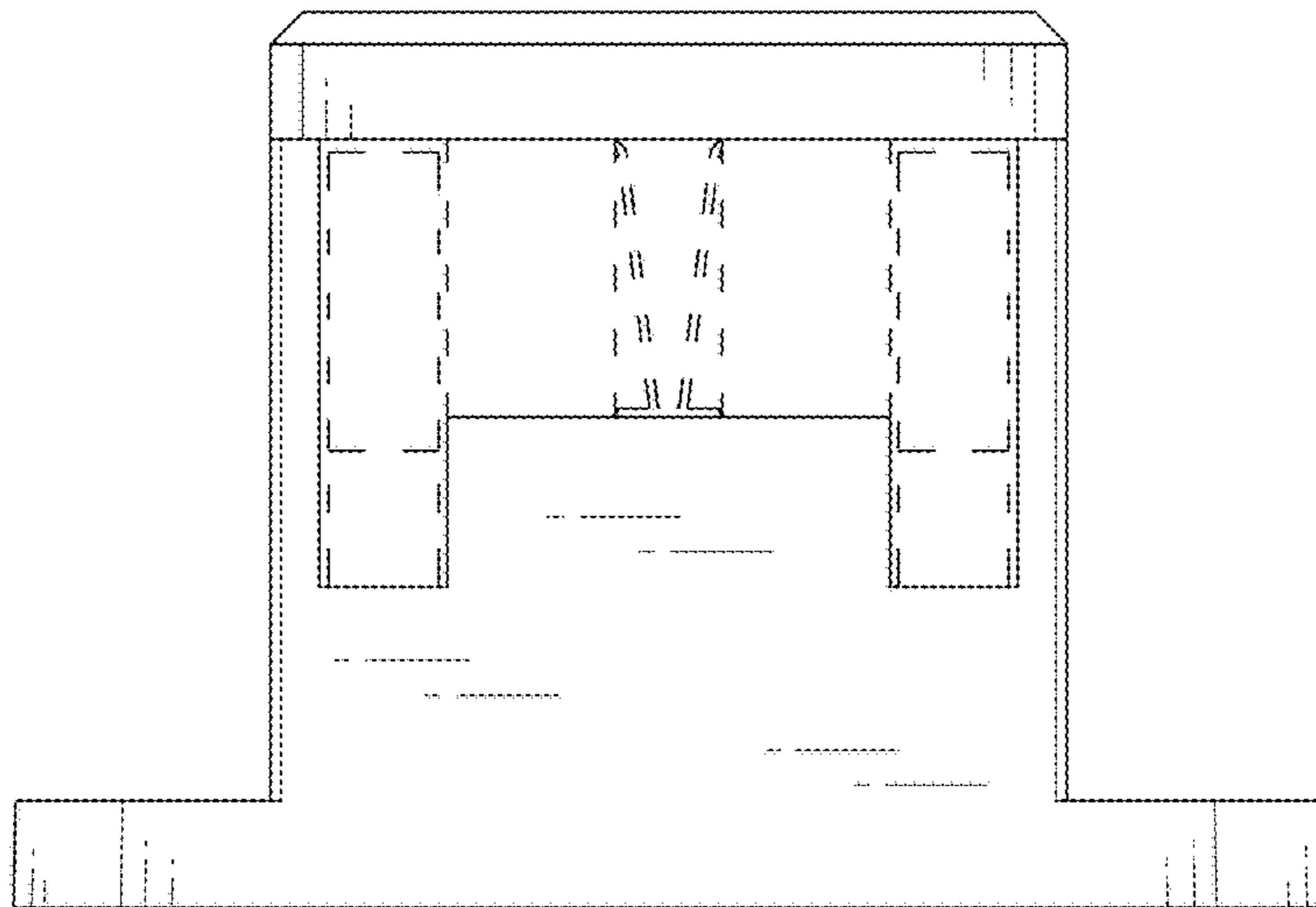


FIG. 4

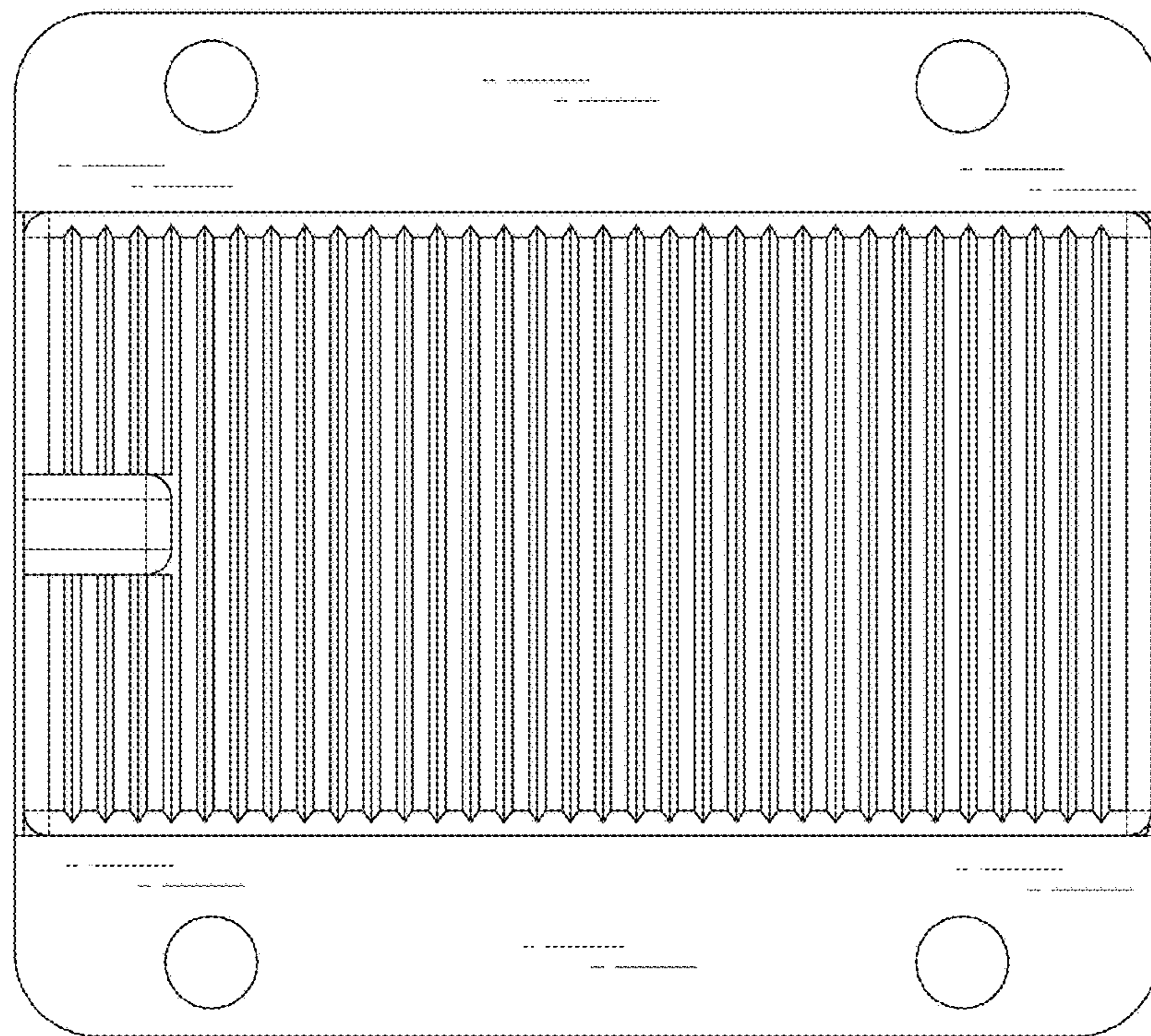


FIG. 5

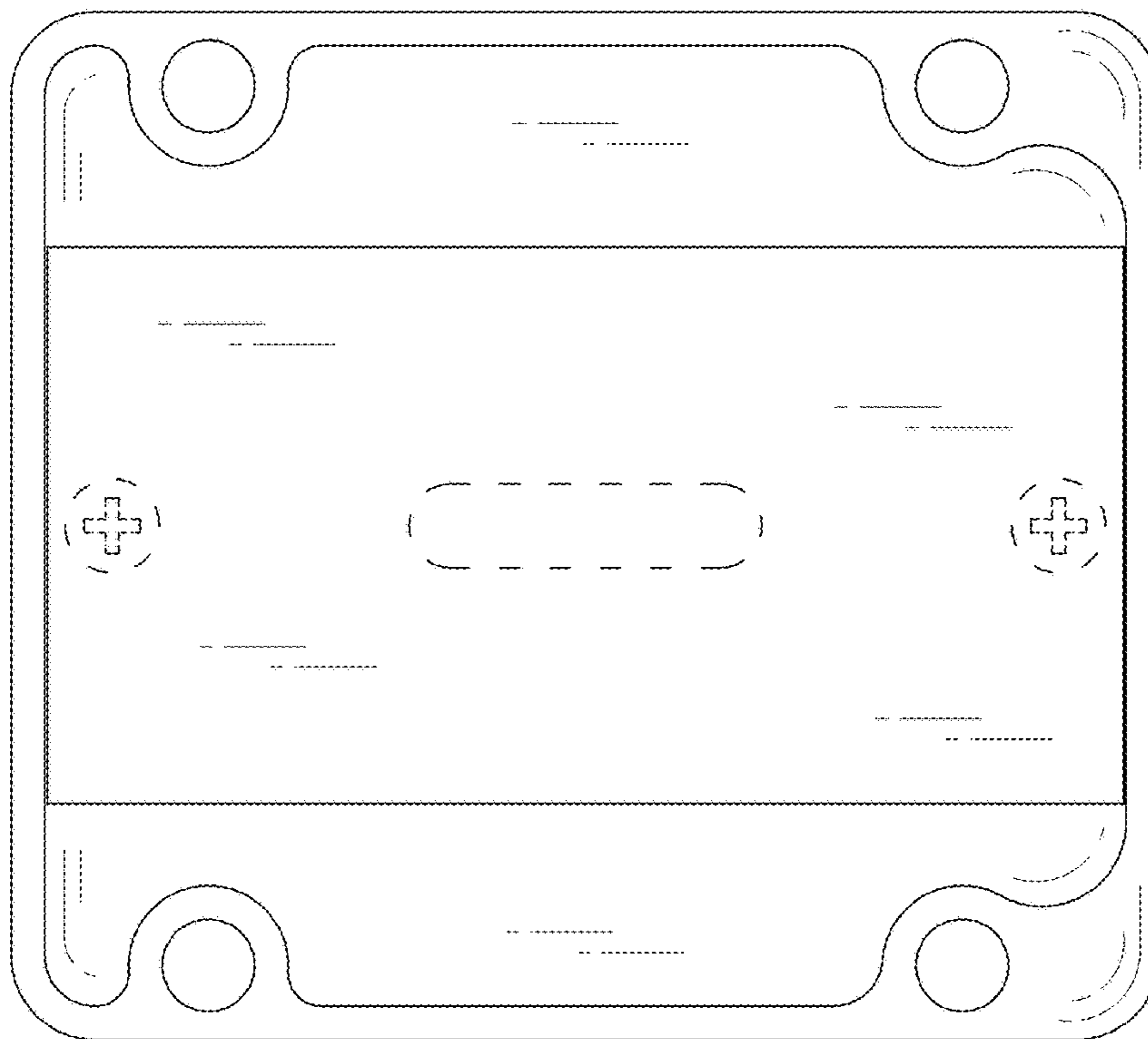


FIG.6

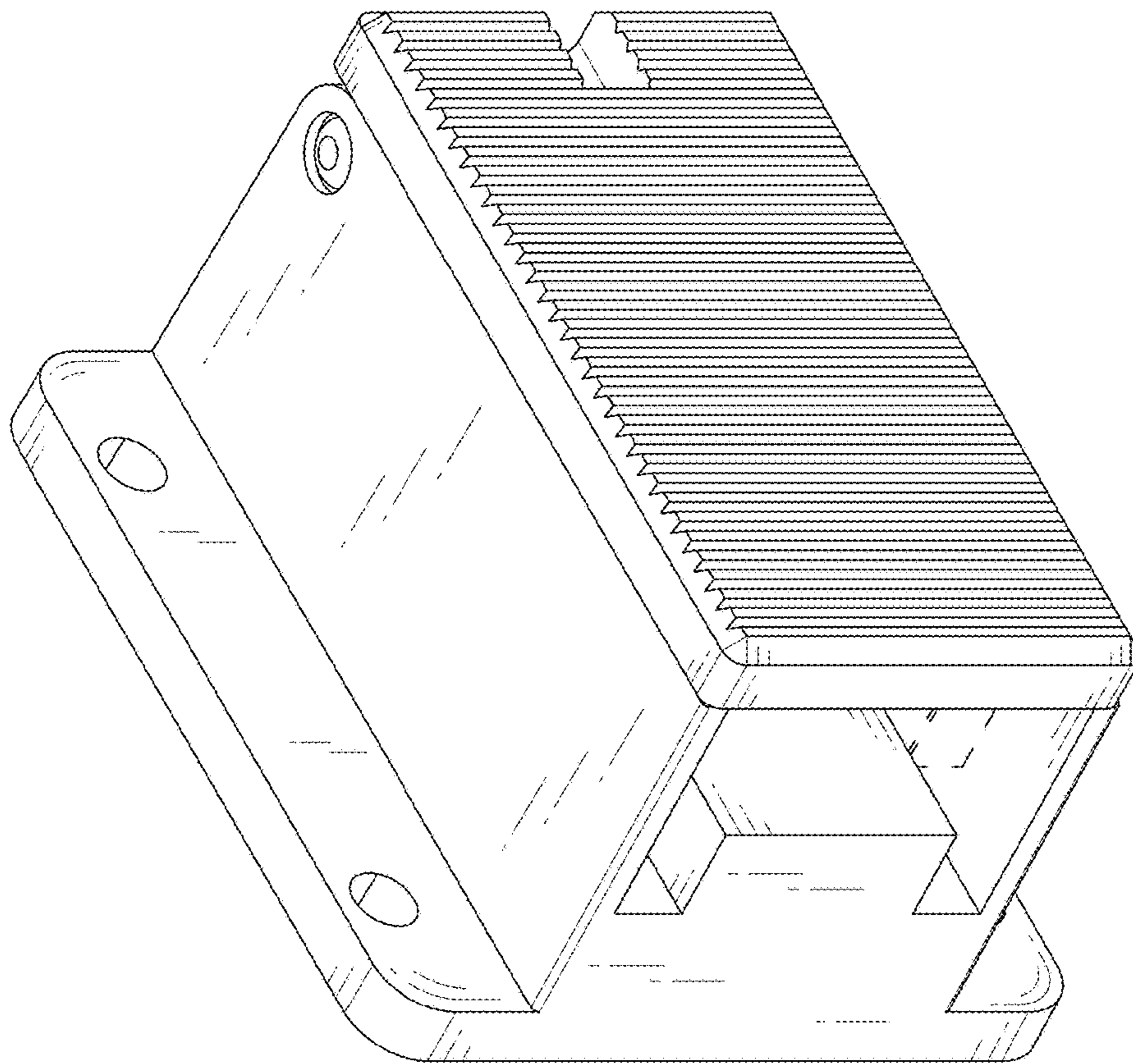


FIG.7

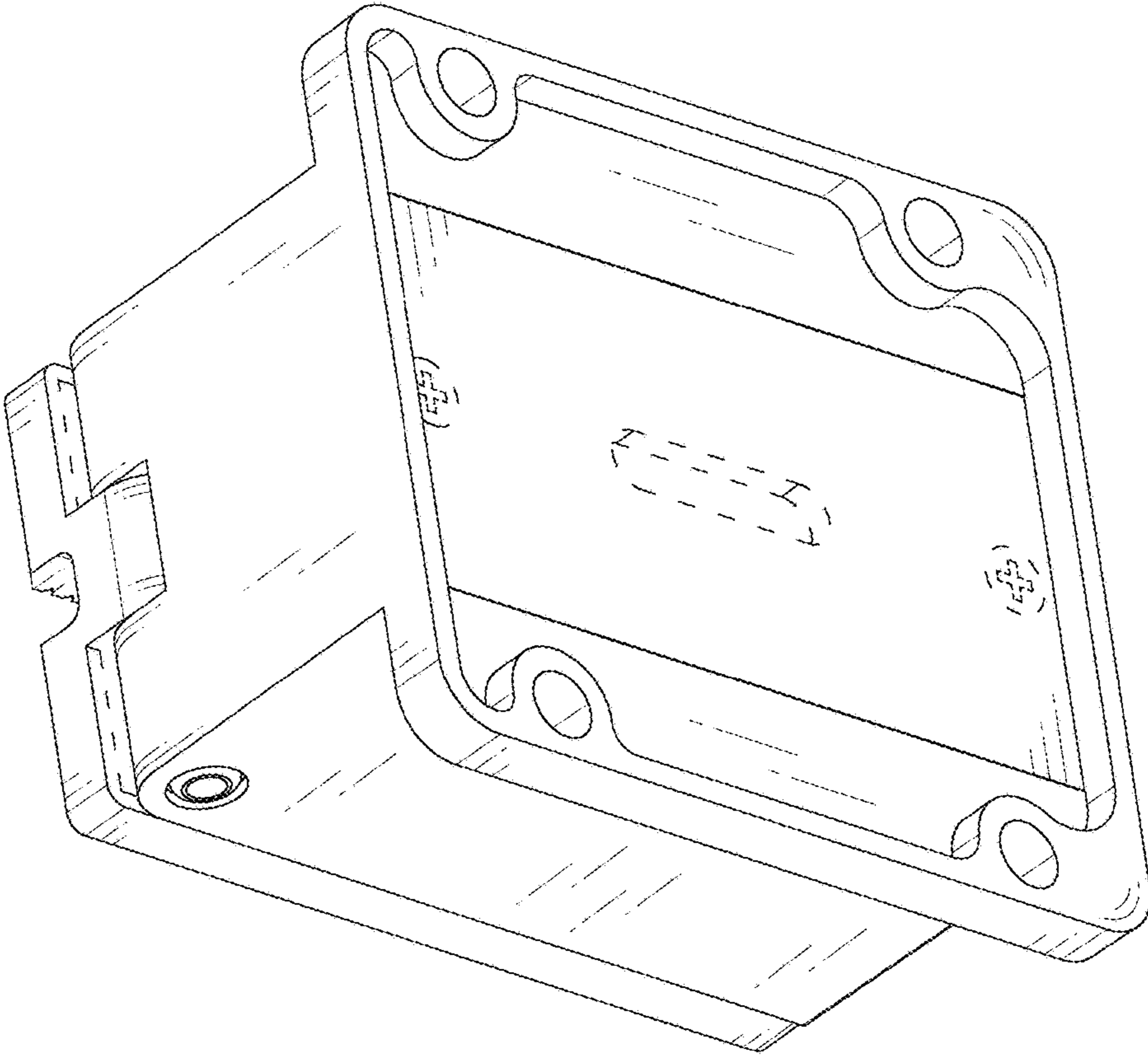


FIG.8