



US00D860512S

(12) **United States Design Patent**
Sonneman

(10) **Patent No.:** **US D860,512 S**

(45) **Date of Patent:** **** Sep. 17, 2019**

(54) **LIGHT FIXTURE**

(71) Applicant: **Contemporary Visions, LLC**,
Larchmont, NY (US)

(72) Inventor: **Robert A. Sonneman**, Mamaroneck,
NY (US)

(73) Assignee: **Contemporary Visions, LLC**,
Larchmont, NY (US)

(**) Term: **15 Years**

(21) Appl. No.: **29/672,691**

(22) Filed: **Dec. 7, 2018**

(51) **LOC (12) Cl.** **26-99**

(52) **U.S. Cl.**
USPC **D26/118**; D26/88

(58) **Field of Classification Search**
USPC D26/63, 72, 85, 88, 90, 113, 118, 138
CPC F21S 8/043; F21S 8/046; F21S 8/06; F21S
8/061; F21S 8/063; F21S 8/065; F21S
8/066; F21S 8/068; F21V 21/008; F21V
21/02; F21V 21/03; F21V 21/112; F21V
21/38

See application file for complete search history.

(56) **References Cited**

U.S. PATENT DOCUMENTS

D669,621 S * 10/2012 Sabernig D26/90
D702,869 S * 4/2014 Kondou D26/88

D769,507 S * 10/2016 Raasch D26/88
D780,979 S * 3/2017 Urquiola D26/88
D805,676 S * 12/2017 Piano D26/88
D829,958 S * 10/2018 Brennenstuhl D26/88

* cited by examiner

Primary Examiner — Brian N. Vinson

(74) *Attorney, Agent, or Firm* — Gottlieb, Rackman &
Reisman, P.C.

(57) **CLAIM**

The ornamental design for a light fixture, as shown and
described.

DESCRIPTION

FIG. 1 is a perspective view of a light fixture showing our
new design;

FIG. 2 is a front elevational view thereof;

FIG. 3 is a rear elevational view thereof;

FIG. 4 is a right side elevational view thereof;

FIG. 5 is a left side elevational view thereof;

FIG. 6 is a top plan view thereof;

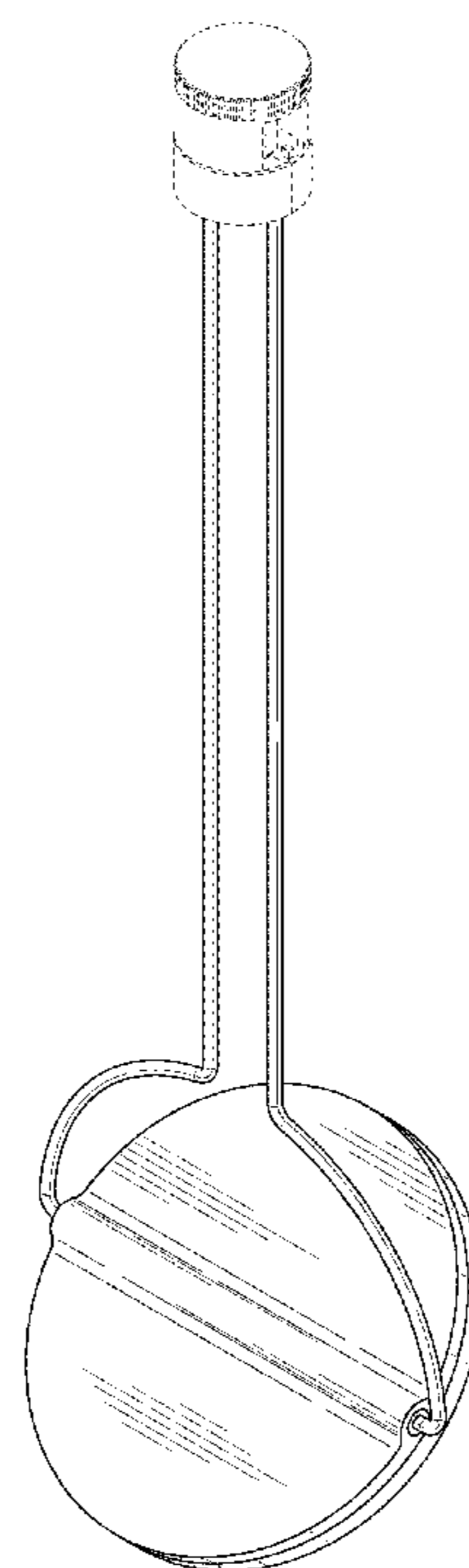
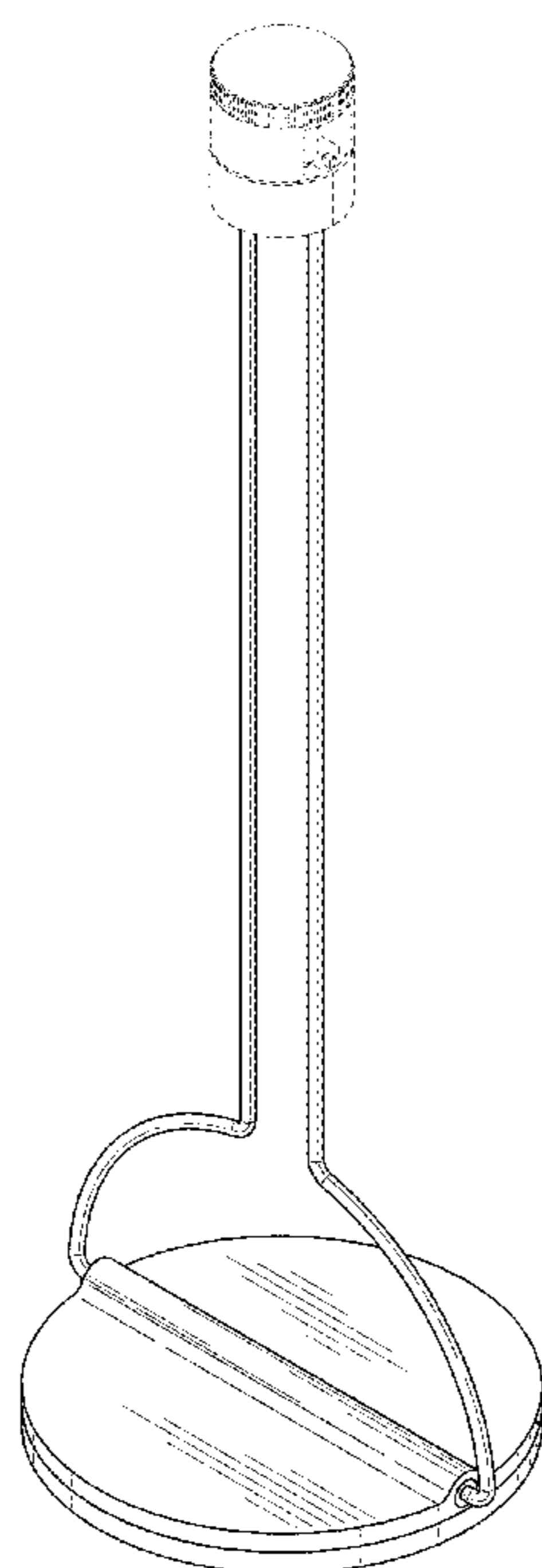
FIG. 7 is a bottom plan view thereof;

FIG. 8 is a perspective view thereof rotated at an angled
position; and,

FIG. 9 is a perspective view thereof rotated at another angled
position.

The broken lines shown in the drawings are included for the
purpose of illustrating elements of the light fixture that can
be hung from a surface and form no part of the claimed
design.

1 Claim, 6 Drawing Sheets



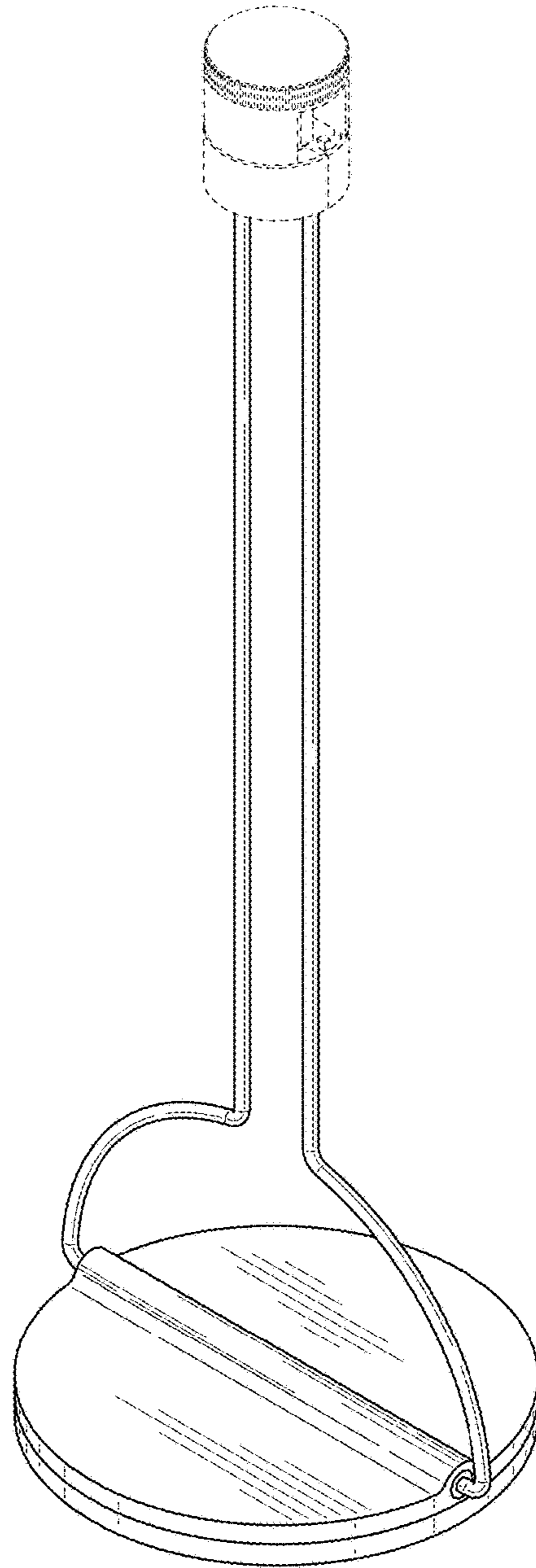


FIG. 1

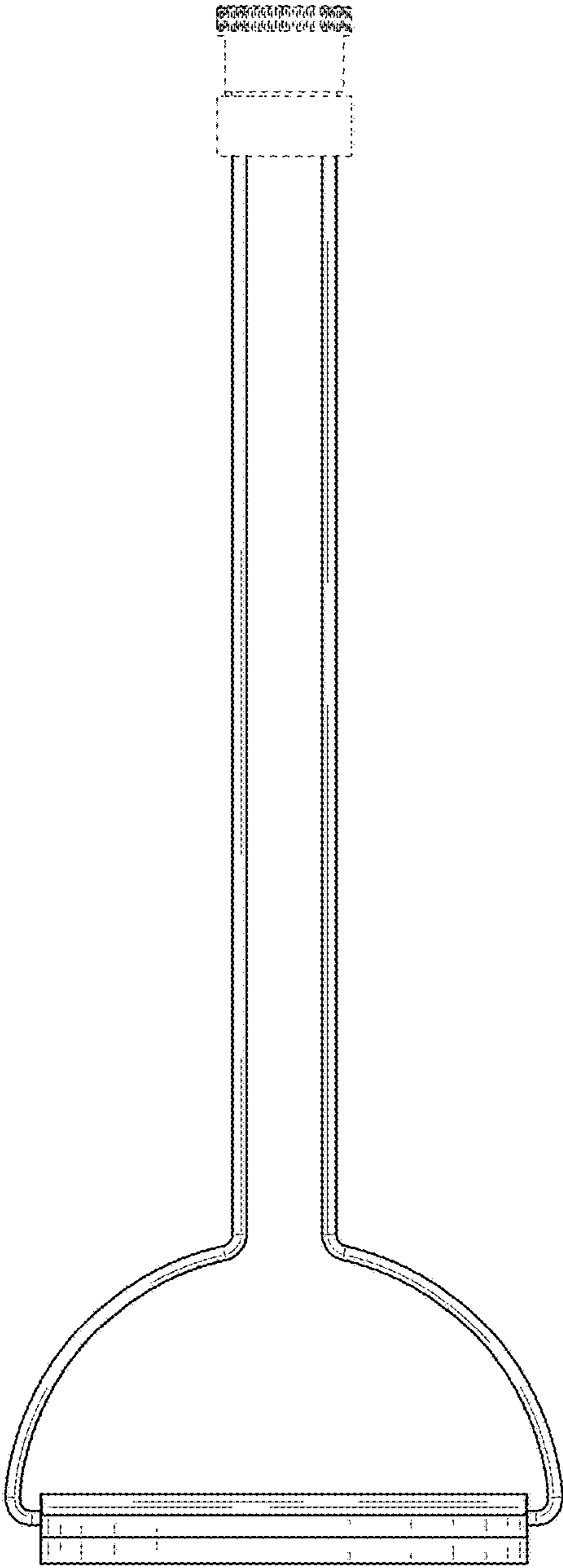


FIG. 2

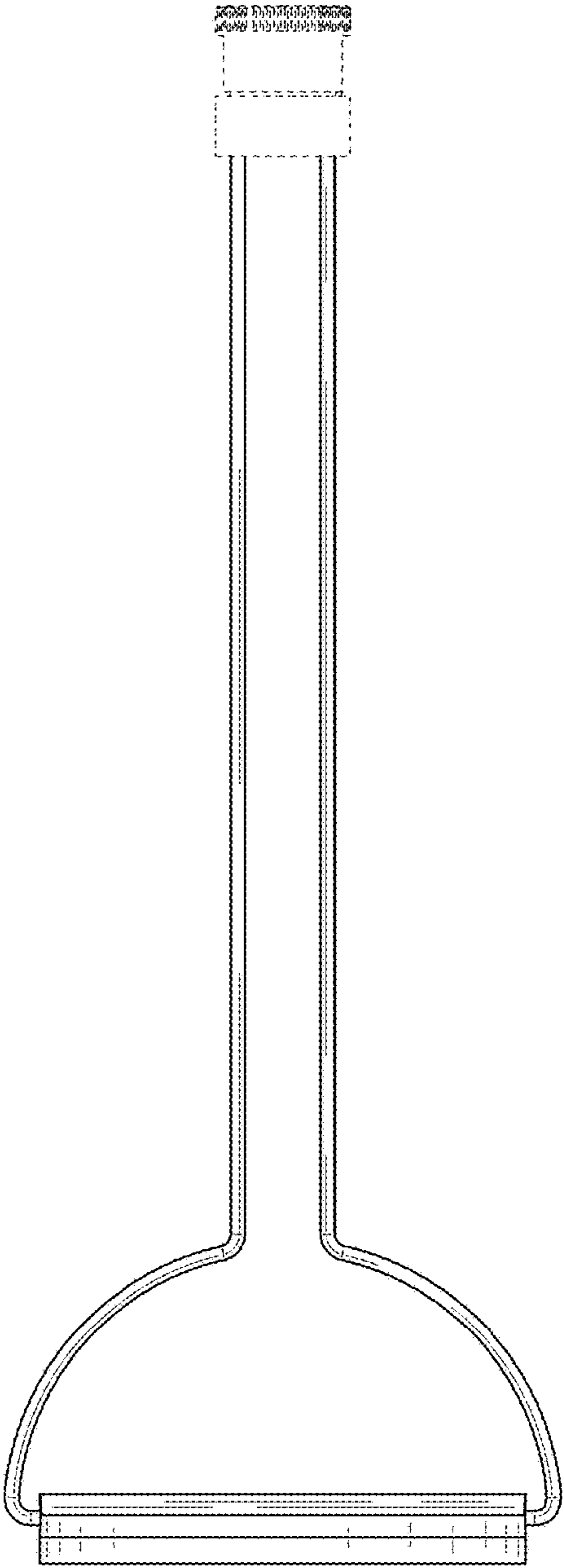


FIG. 3

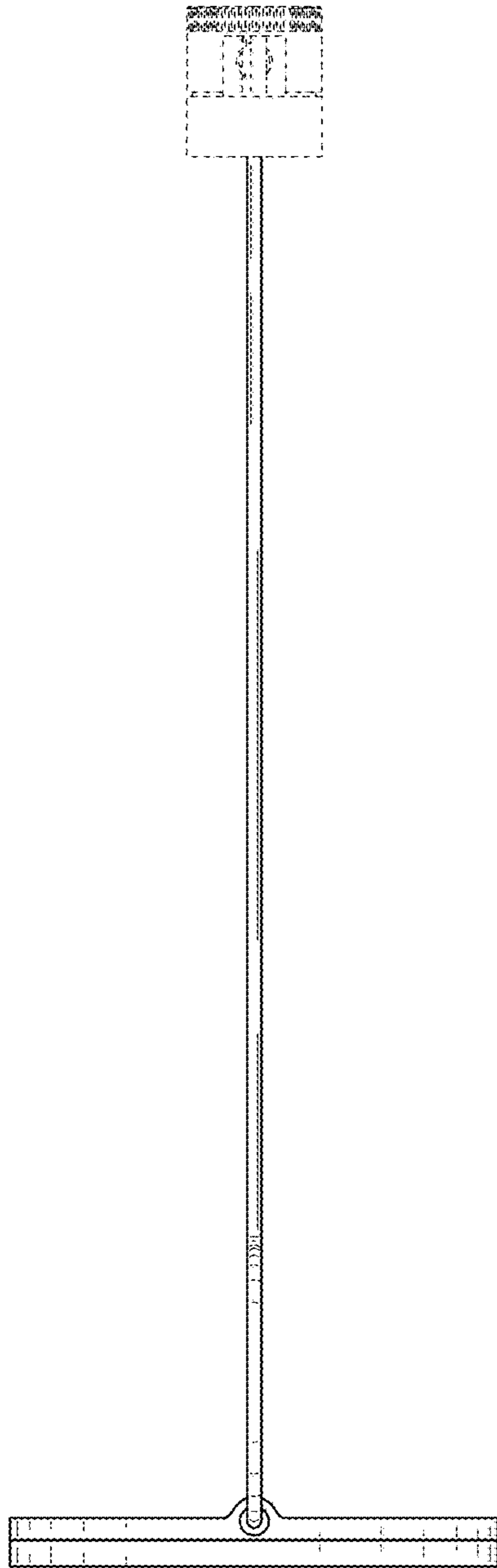


FIG. 4

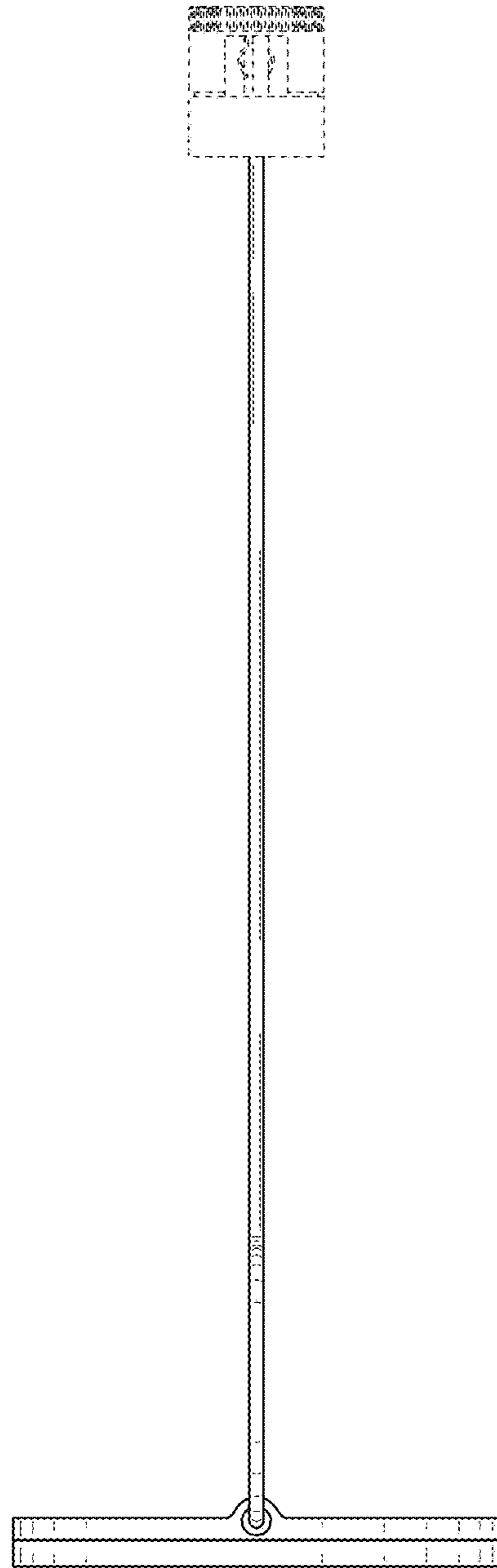


FIG. 5

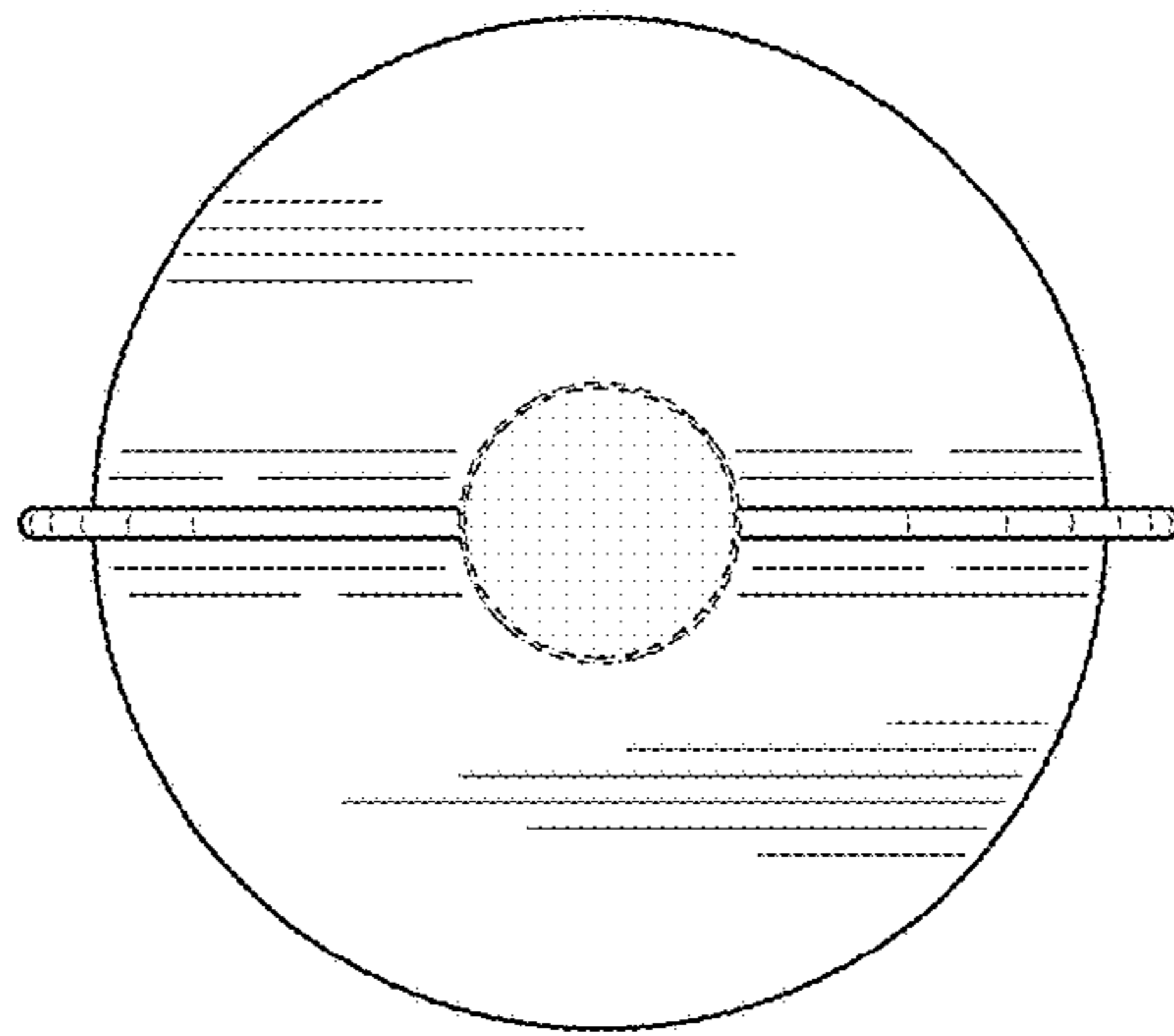


FIG. 6

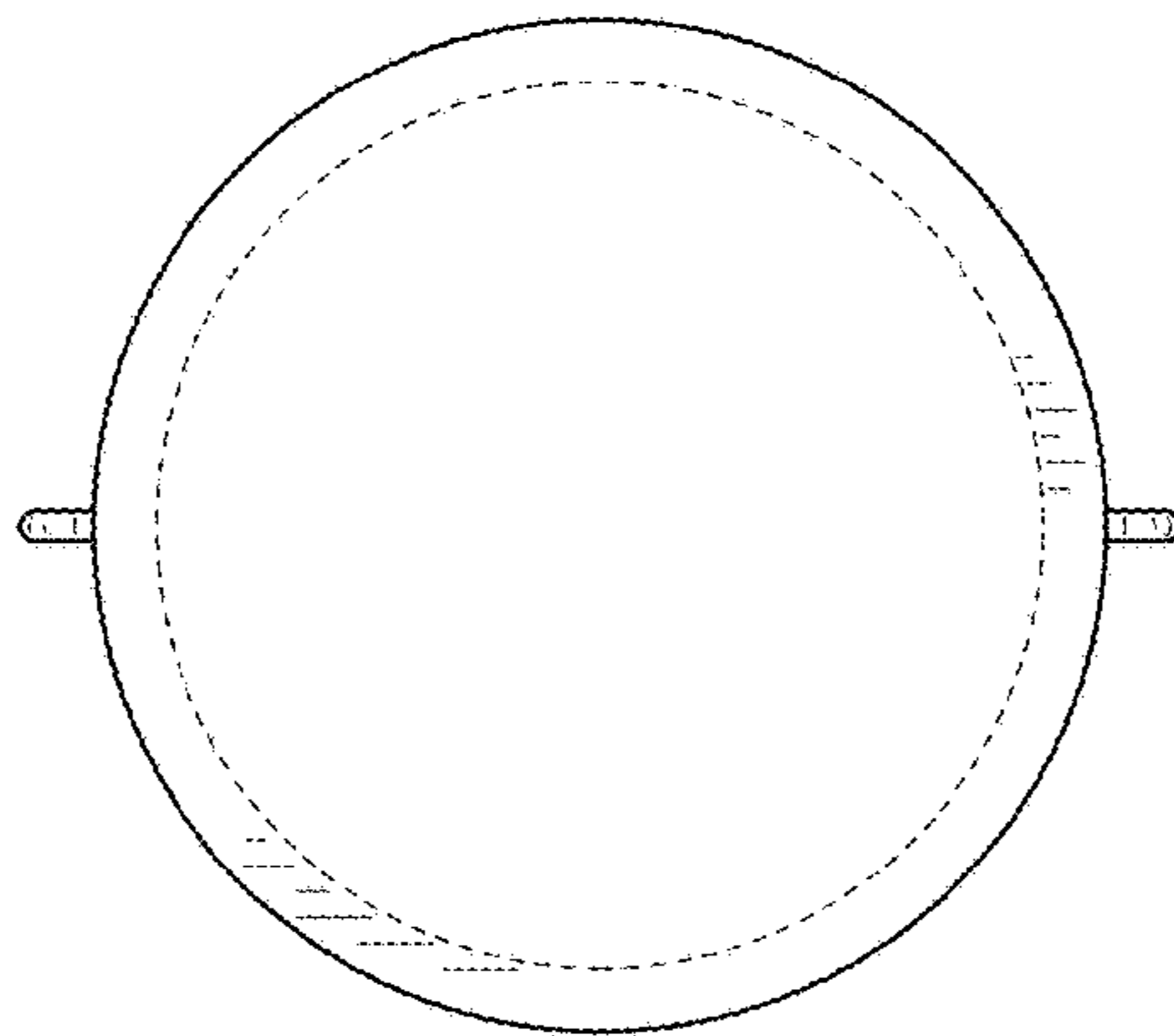


FIG. 7

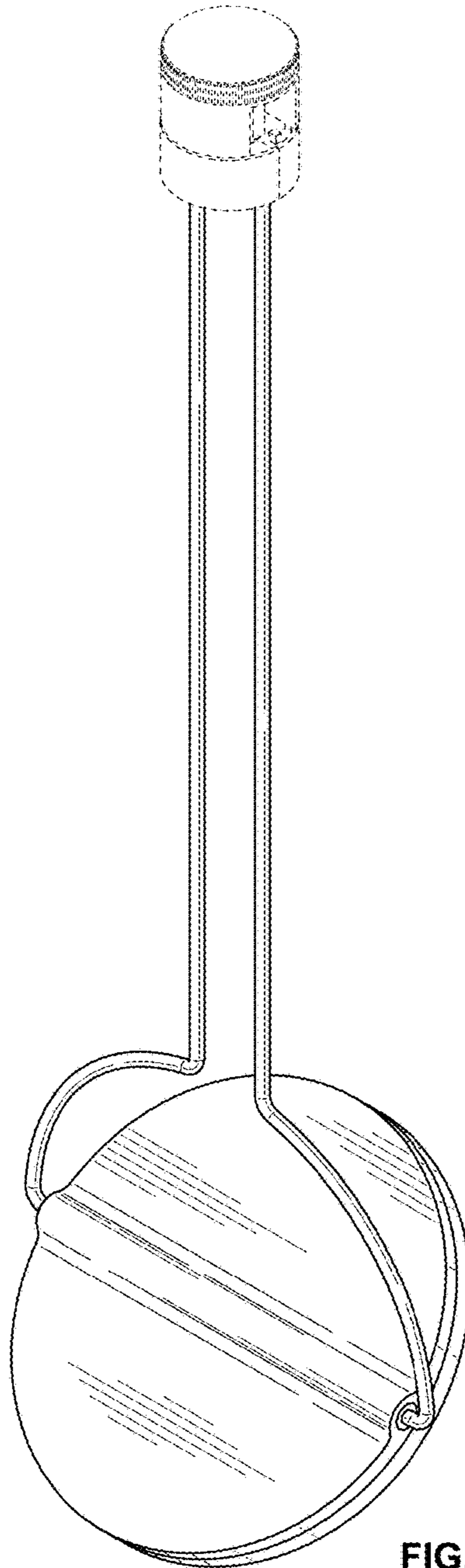


FIG. 8

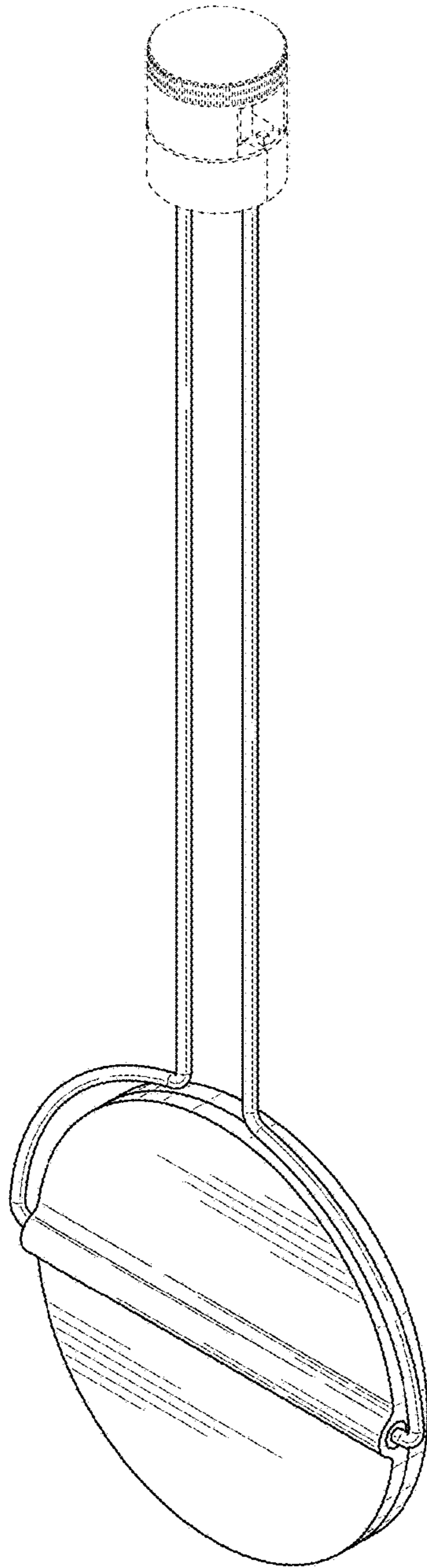


FIG. 9