

US00D860511S

(12) **United States Design Patent** (10) **Patent No.:** **US D860,511 S**  
**Pessenda** (45) **Date of Patent:** **\*\* Sep. 17, 2019**

(54) **ATTACHABLE GARDEN NOZZLE LIGHT**

5,836,515 A \* 11/1998 Fonzes ..... B05B 1/24  
239/102.2  
D444,537 S \* 7/2001 Giles ..... D23/214  
D727,465 S \* 4/2015 Gladstone ..... D23/214  
D824,062 S \* 7/2018 Qiu ..... D26/60  
D843,039 S \* 3/2019 Fan ..... D26/60

(71) Applicant: **Jodi Beth Pessenda**, Delray Beach, FL  
(US)

(72) Inventor: **Jodi Beth Pessenda**, Delray Beach, FL  
(US)

(\*\*) Term: **15 Years**

(21) Appl. No.: **29/657,431**

(22) Filed: **Jul. 23, 2018**

(51) **LOC (12) Cl.** ..... **26-03**

(52) **U.S. Cl.**  
USPC ..... **D26/94; D26/60**

(58) **Field of Classification Search**  
USPC ..... D26/94, 24; D23/214, 217  
CPC ..... B05B 1/24; F21S 8/08; F21S 8/043; F21S  
6/00; F21S 6/004; F21S 6/003; F21S  
6/005; F21S 6/006; F21S 6/007; F21V  
33/00; F21V 21/088; F21W 2121/00;  
F21W 2131/10; F21W 2131/30  
See application file for complete search history.

(56) **References Cited**

**U.S. PATENT DOCUMENTS**

D310,477 S \* 9/1990 Fleecs ..... D23/217  
D356,386 S \* 3/1995 Cerbini ..... D11/157

\* cited by examiner

*Primary Examiner* — Brian N. Vinson  
(74) *Attorney, Agent, or Firm* — Malin Haley DiMaggio  
& Bowen, P.A.

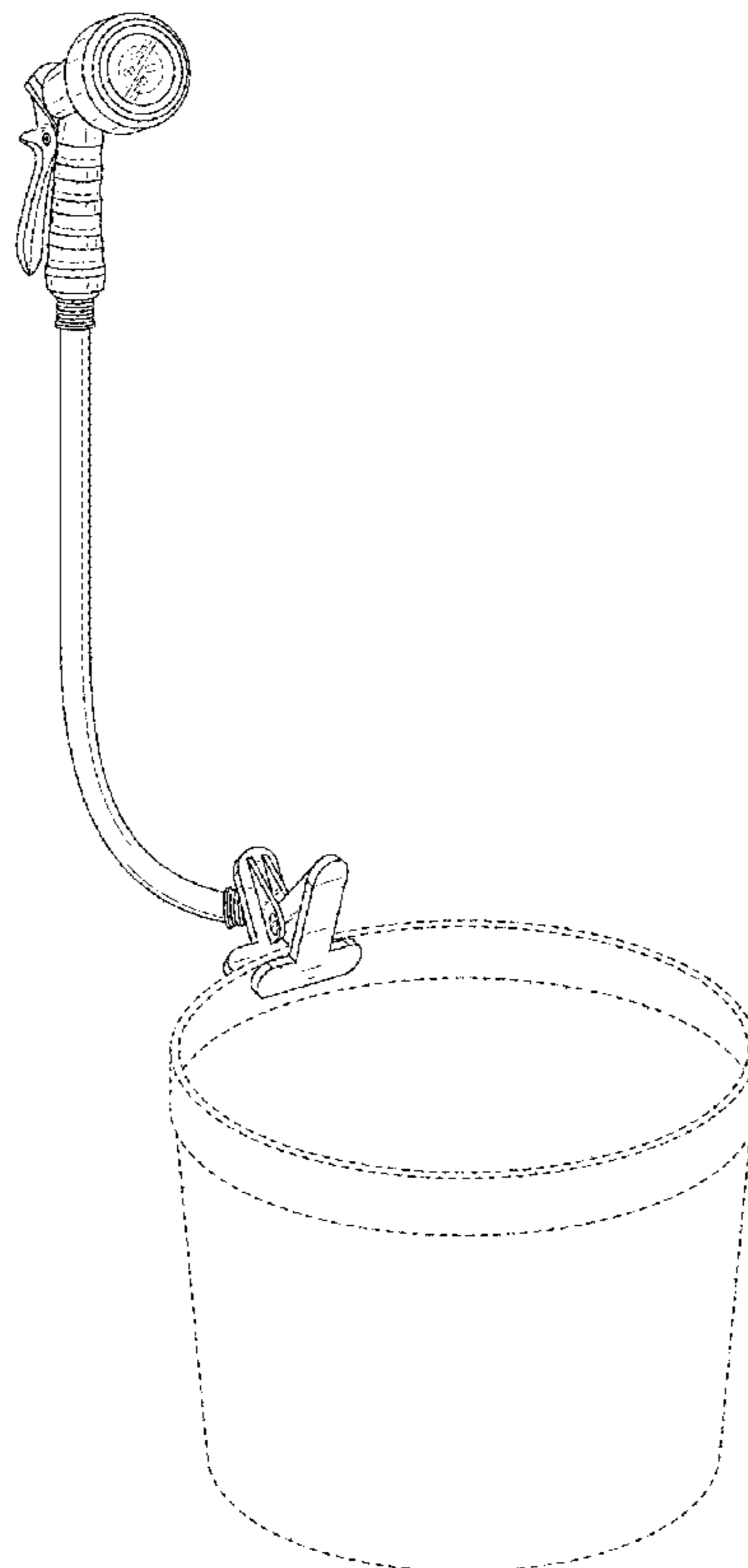
(57) **CLAIM**

The ornamental design for an attachable garden nozzle light,  
as shown and described.

**DESCRIPTION**

FIG. 1 is a perspective view of the present invention,  
showing the new design of the attachable garden nozzle  
light;  
FIG. 2 is a front elevational view thereof;  
FIG. 3 is a rear elevational view thereof;  
FIG. 4 is a left side elevational view thereof;  
FIG. 5 is a right side elevational view thereof;  
FIG. 6 is a top plan view thereof; and,  
FIG. 7 is a bottom plan view thereof.  
The broken line disclosure forms no part of the claimed  
design.

**1 Claim, 7 Drawing Sheets**



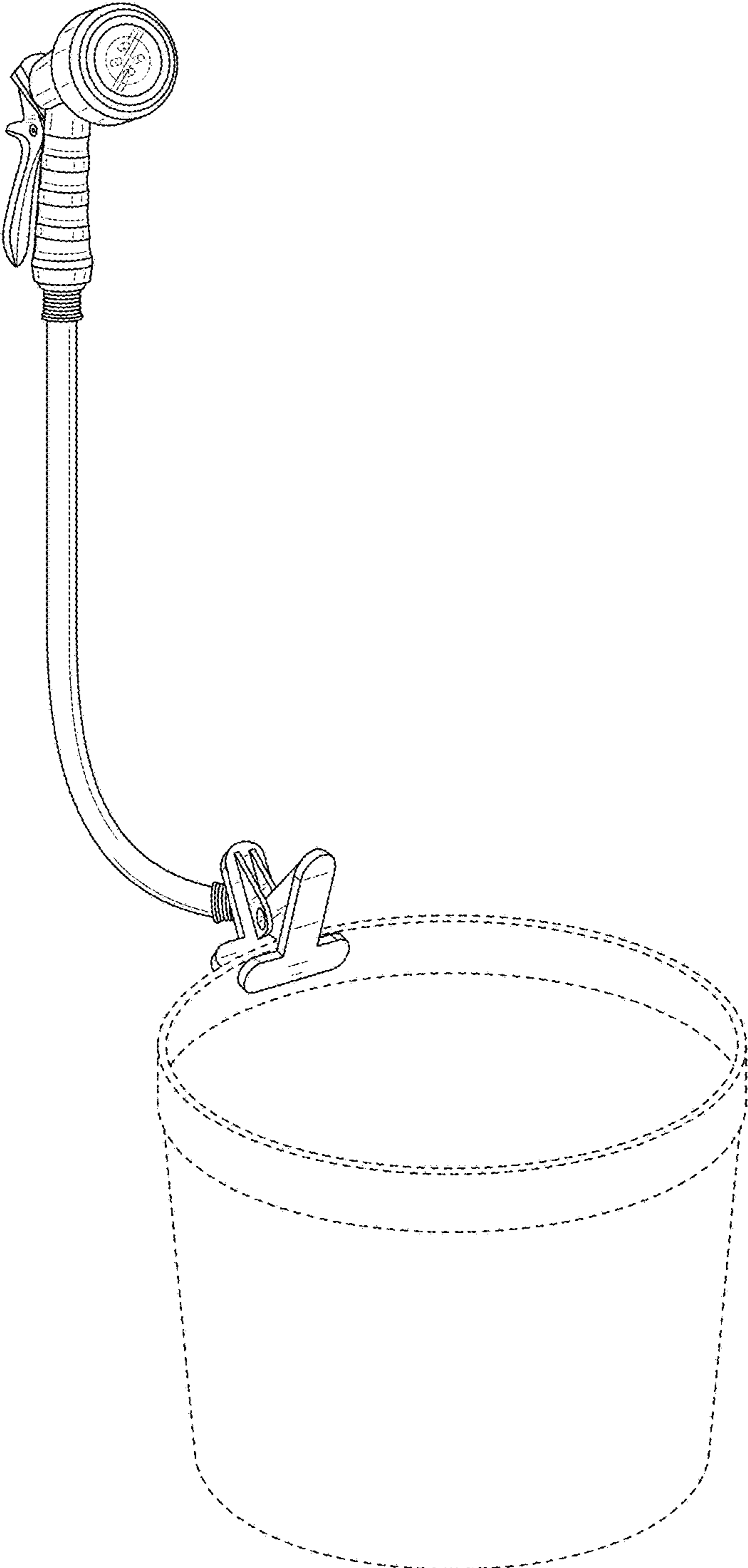


FIG. 1

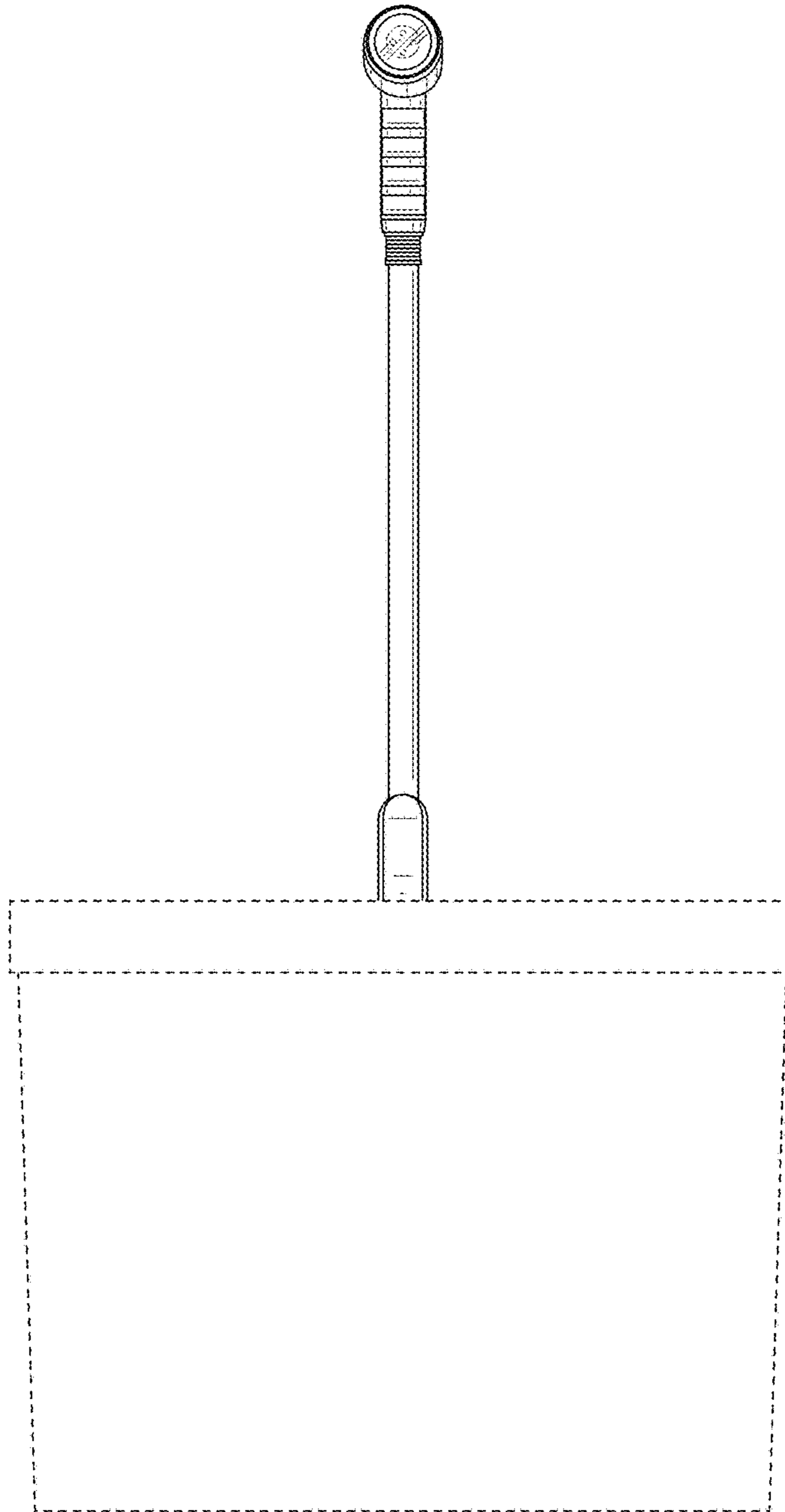


FIG. 2

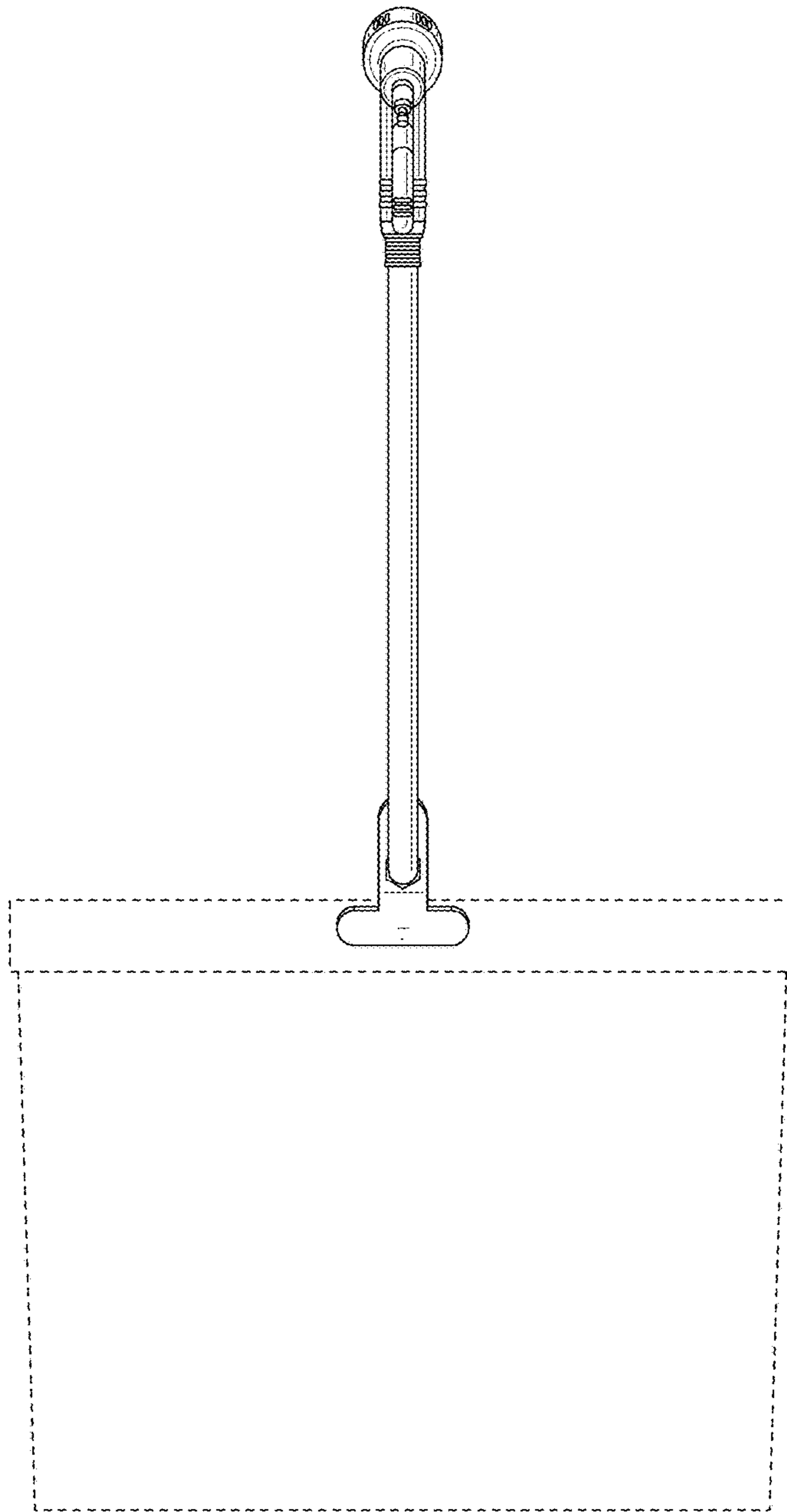


FIG. 3

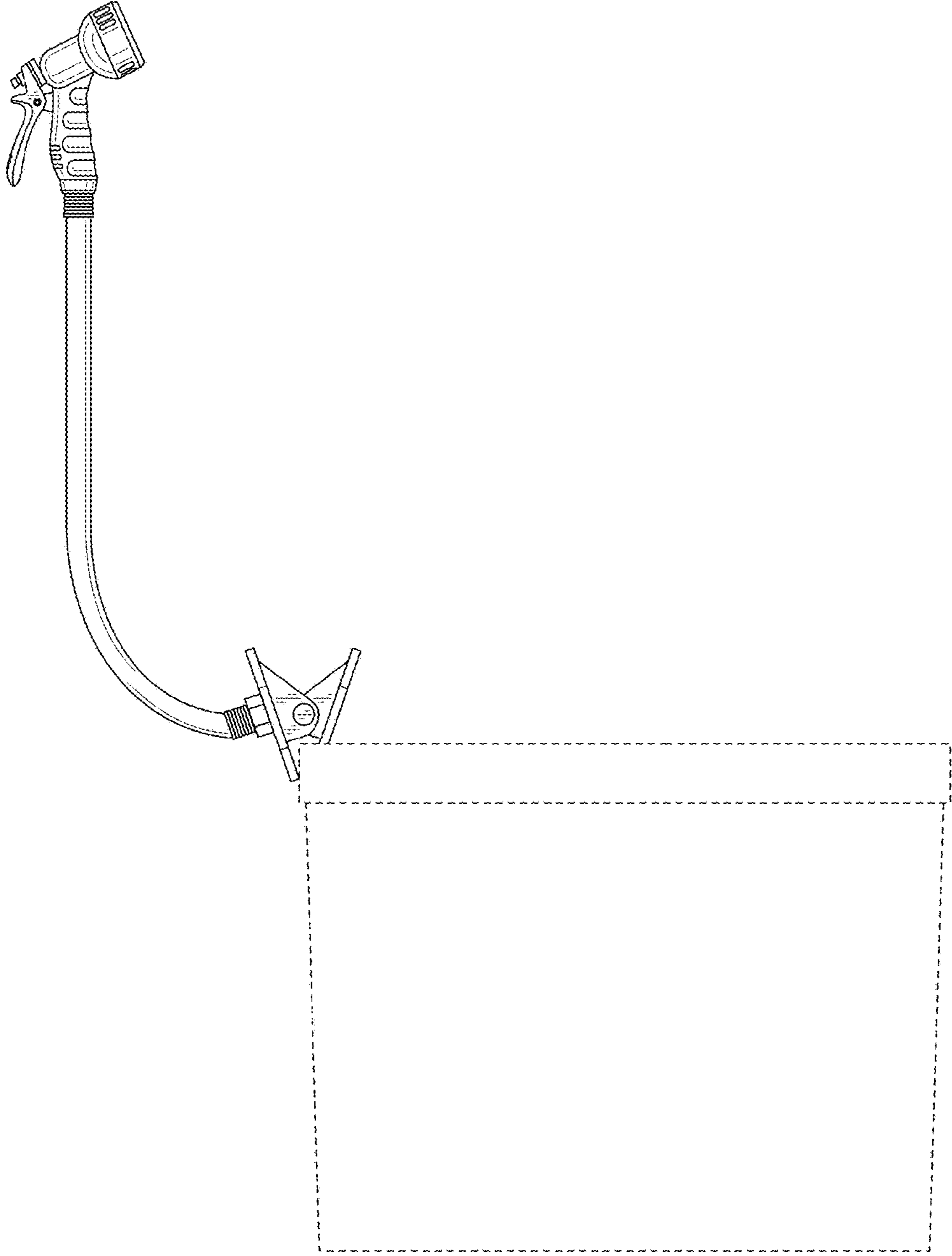


FIG. 4

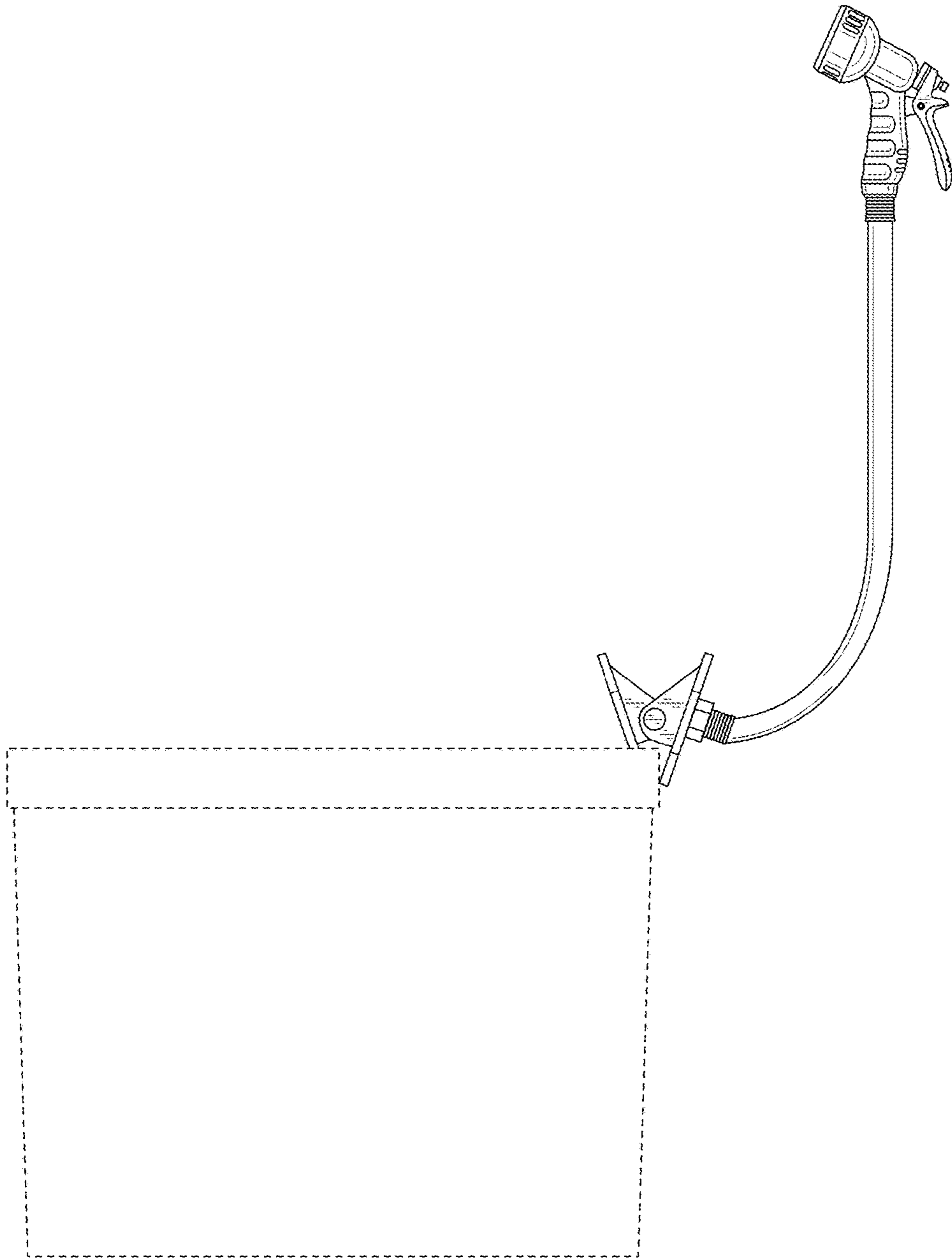


FIG. 5

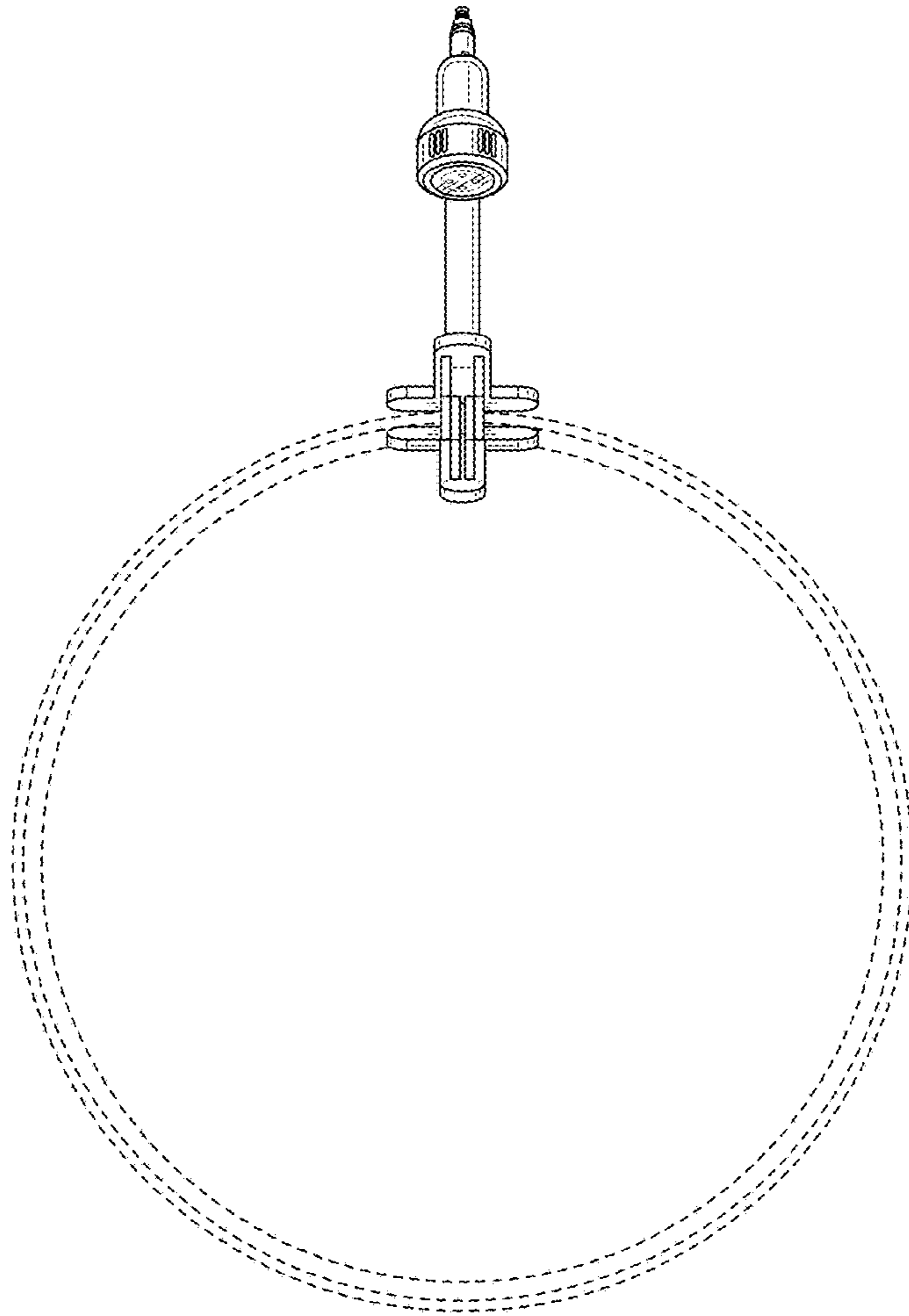


FIG. 6

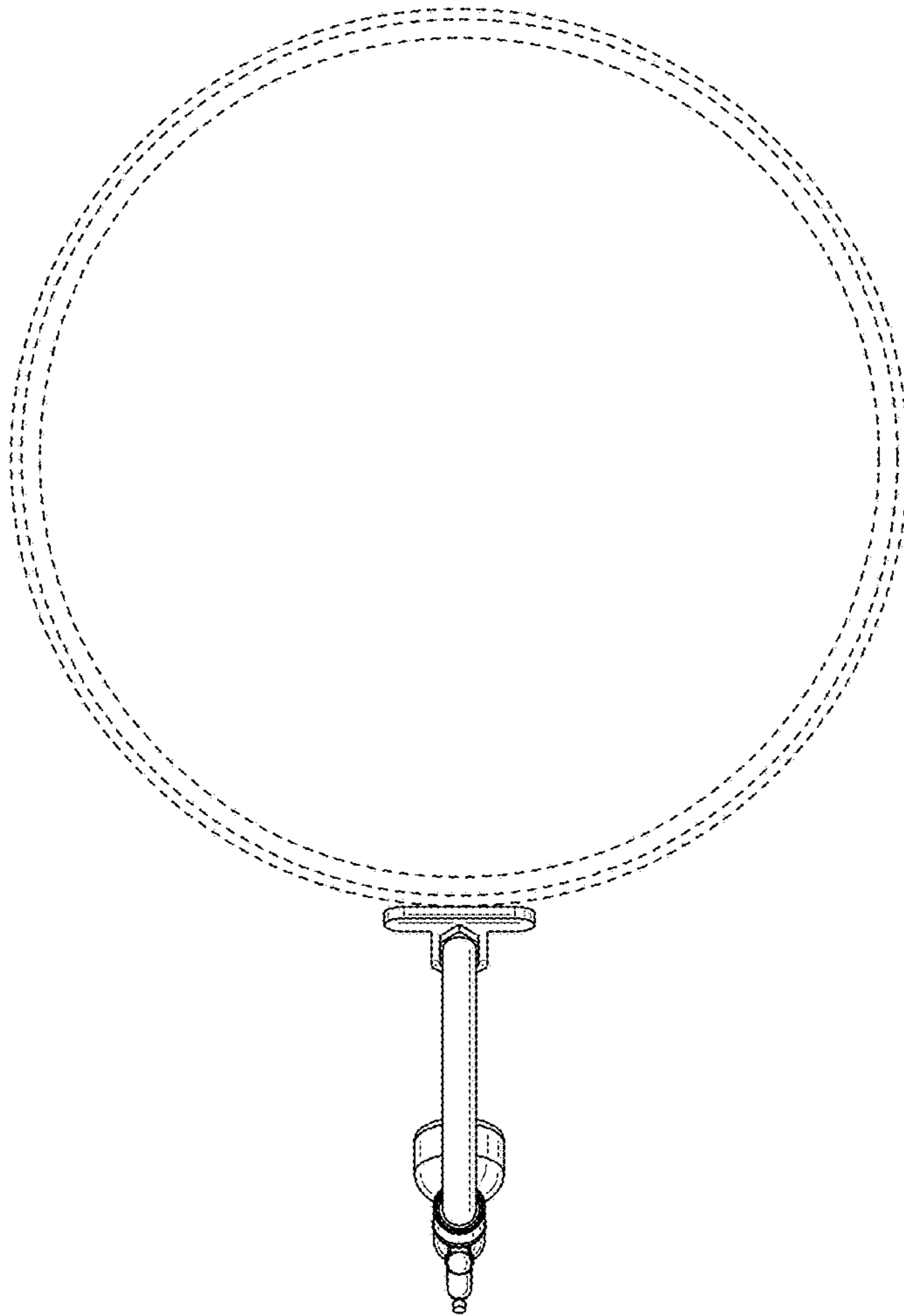


FIG. 7