



US00D860509S

(12) **United States Design Patent**
Ma

(10) **Patent No.:** **US D860,509 S**

(45) **Date of Patent:** **** Sep. 17, 2019**

(54) **LIGHT FIXTURE**

(71) Applicant: **Foshan GrowSpec Eco-Agriculture Technology Co., Ltd.**, Foshan, Guangdong (CN)

(72) Inventor: **Yong Ma**, Guangdong (CN)

(73) Assignee: **Foshan GrowSpec Eco-Agriculture Technology Co., Ltd.**, Foshan (CN)

(**) Term: **15 Years**

(21) Appl. No.: **29/633,529**

(22) Filed: **Jan. 15, 2018**

(30) **Foreign Application Priority Data**

Sep. 7, 2017 (CN) 2017 3 0422609

(51) **LOC (12) Cl.** **26-05**

(52) **U.S. Cl.**
USPC **D26/89**

(58) **Field of Classification Search**

USPC D26/42, 58, 72, 75, 76, 80, 81, 88, 89, D26/90, 102; D10/106.8

CPC . F21V 7/043; F21V 7/045; F21V 7/05; F21V 29/74; F21V 29/76; F21V 29/763; F21V 29/77; F21S 8/031; F21S 8/04; F21S 8/06; F21S 8/061; F21S 8/063

See application file for complete search history.

(56) **References Cited**

U.S. PATENT DOCUMENTS

D545,457 S * 6/2007 Chen D26/2
D596,765 S * 7/2009 Chiu D26/2

D651,735 S * 1/2012 Dai D26/72
D673,320 S * 12/2012 Guercio D26/89
D690,453 S * 9/2013 Guercio D26/72
8,985,816 B2 * 3/2015 Guercio F21S 8/04
362/147
D784,597 S * 4/2017 Wilson D26/88
D802,197 S * 11/2017 Ding D26/72
D831,261 S * 10/2018 Ding D26/88
D841,870 S * 2/2019 Holscher D26/89
2012/0268941 A1 * 10/2012 Shih F21V 3/02
362/294
2013/0223083 A1 * 8/2013 Kimiya F21V 23/006
362/382
2014/0021884 A1 * 1/2014 Fetterly H05B 33/0854
315/297

* cited by examiner

Primary Examiner — Cathron C Brooks

(57) **CLAIM**

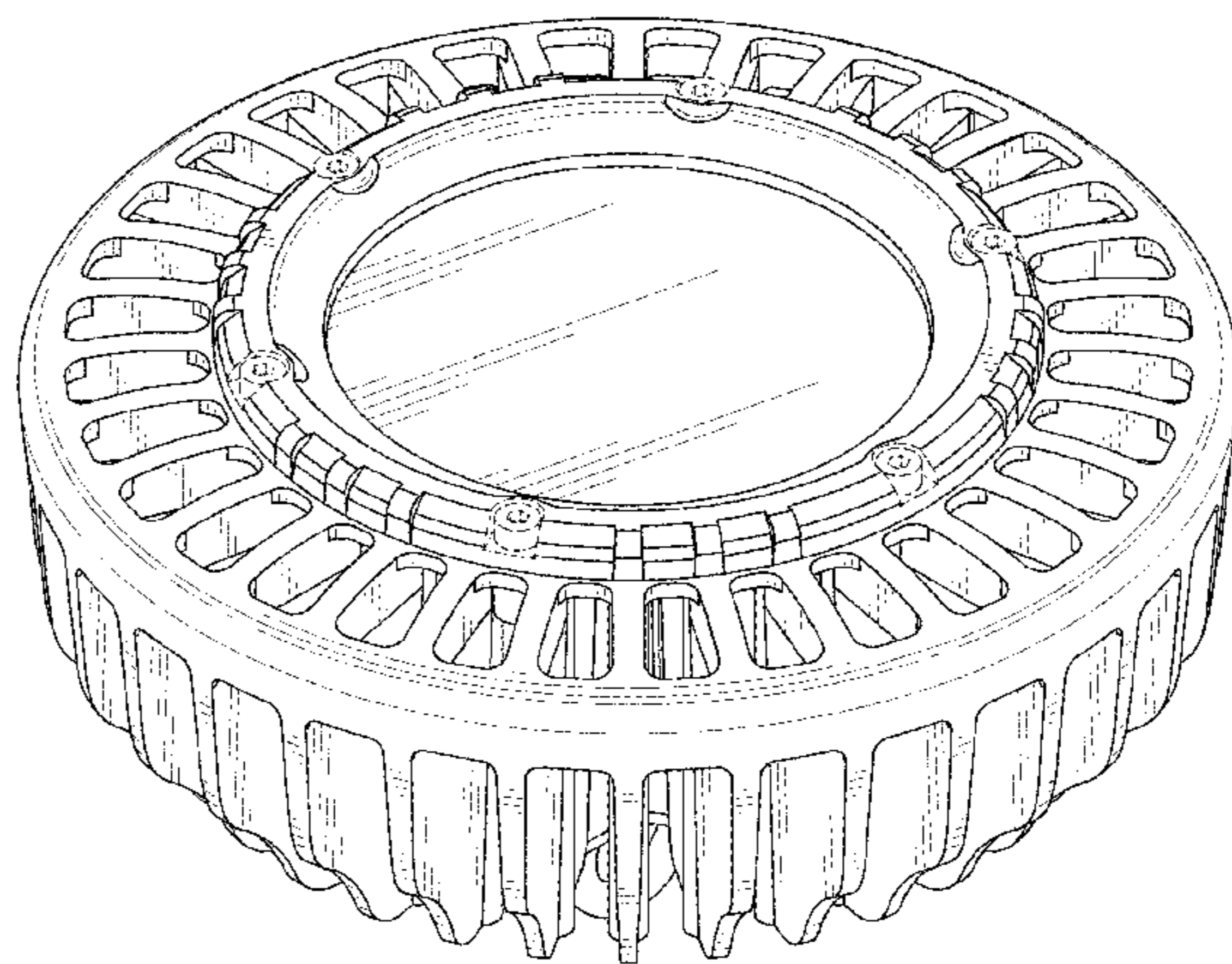
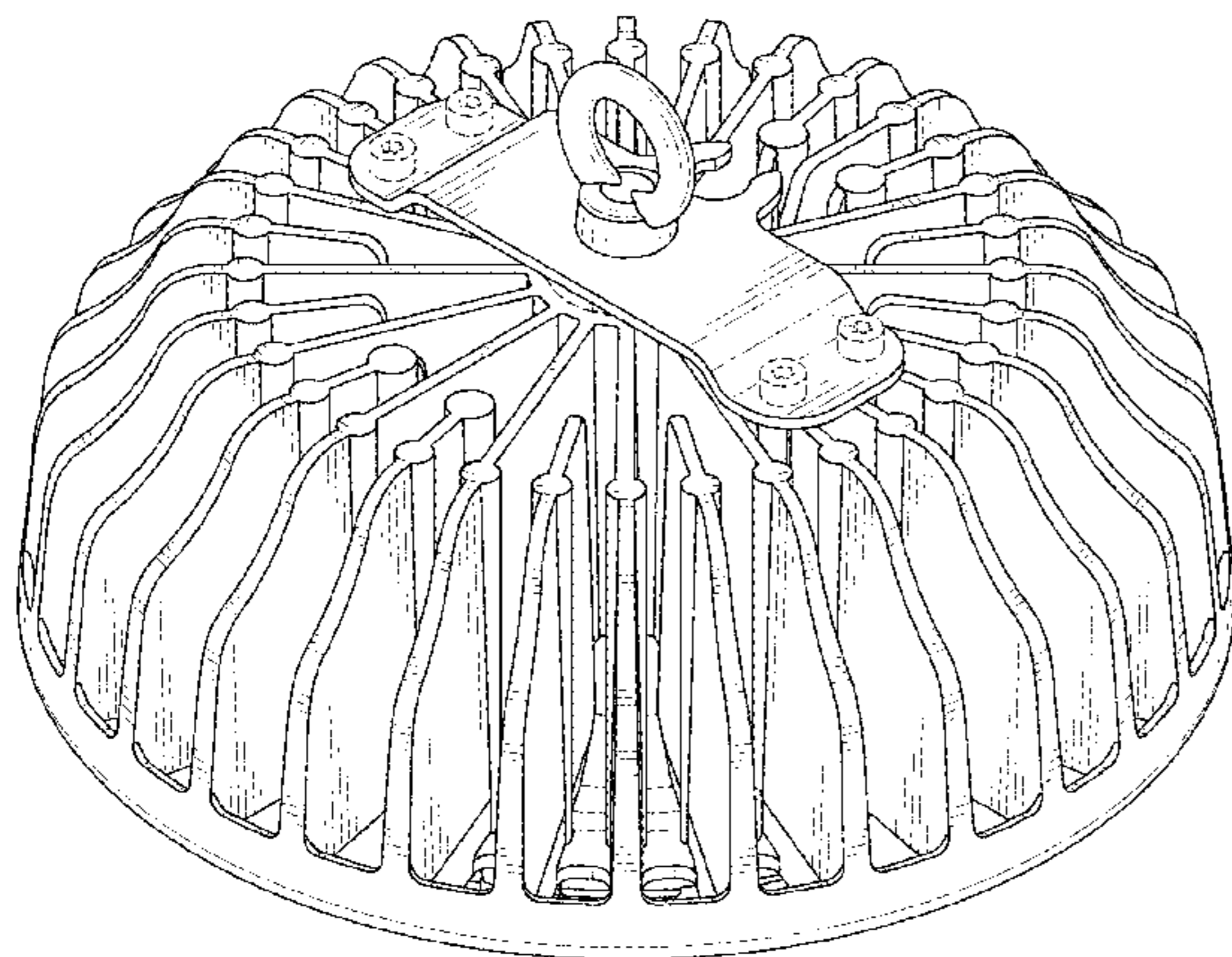
The ornamental design for a light fixture, as shown and described.

DESCRIPTION

FIG. 1 is a top perspective view of a light fixture showing my new design;
FIG. 2 is a bottom perspective view thereof;
FIG. 3 is a front elevational view thereof;
FIG. 4 is a rear elevational view thereof;
FIG. 5 is a left side view thereof;
FIG. 6 is a right side view thereof;
FIG. 7 is a top plan view thereof; and,
FIG. 8 is a bottom plan view thereof.

The broken lines in the drawings illustrate portions of the Light fixture which form no part of the claimed design.

1 Claim, 8 Drawing Sheets



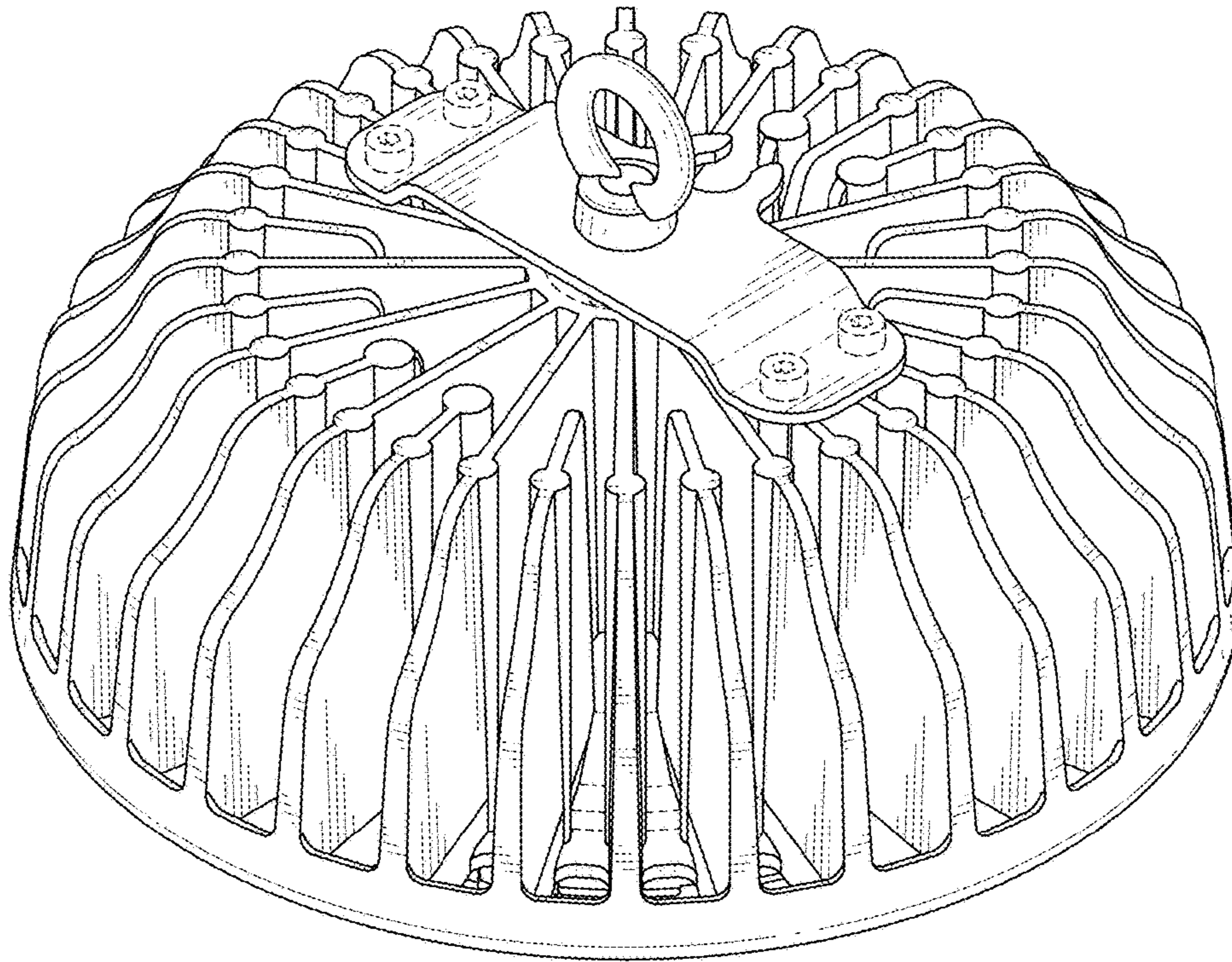


FIG. 1

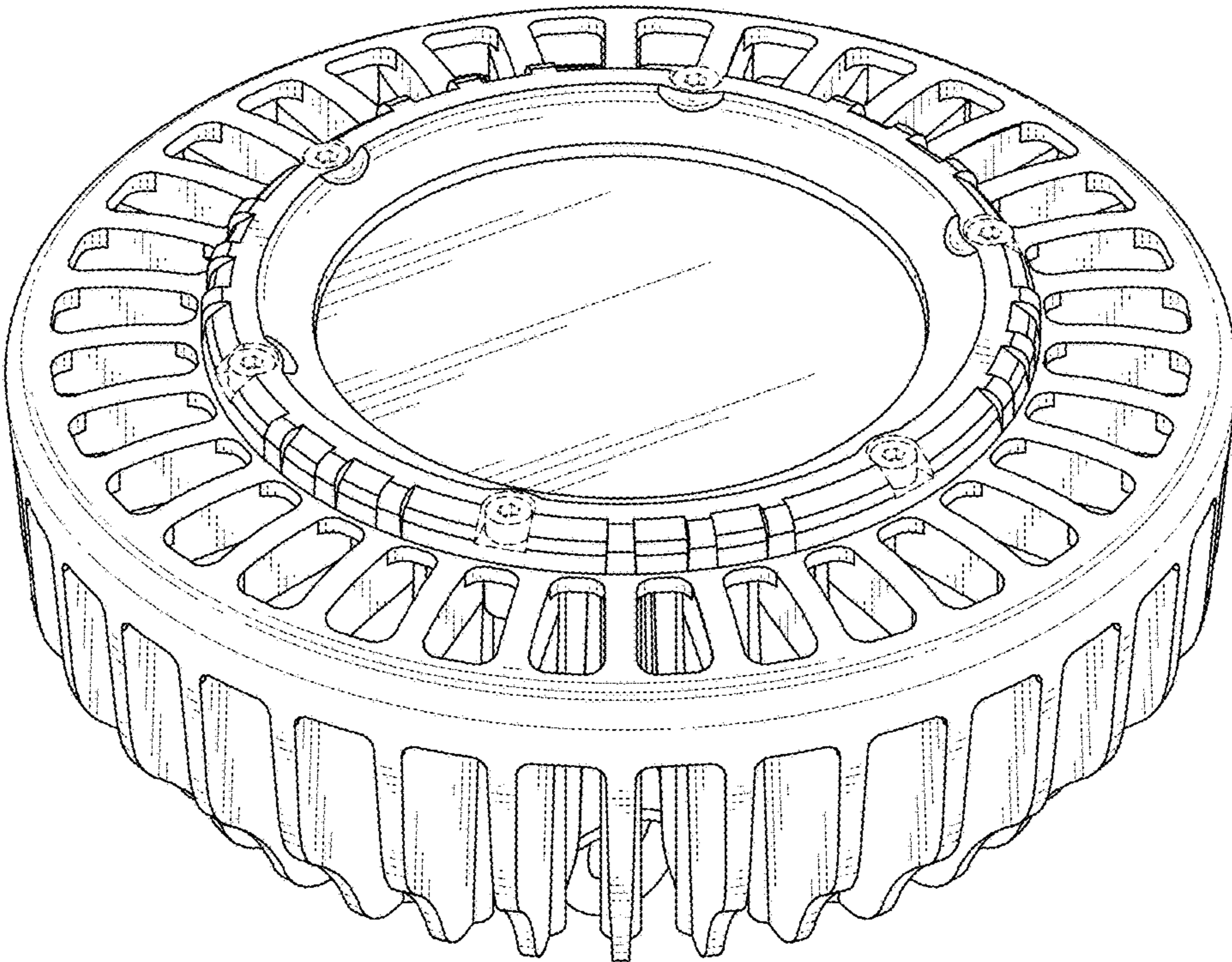


FIG. 2

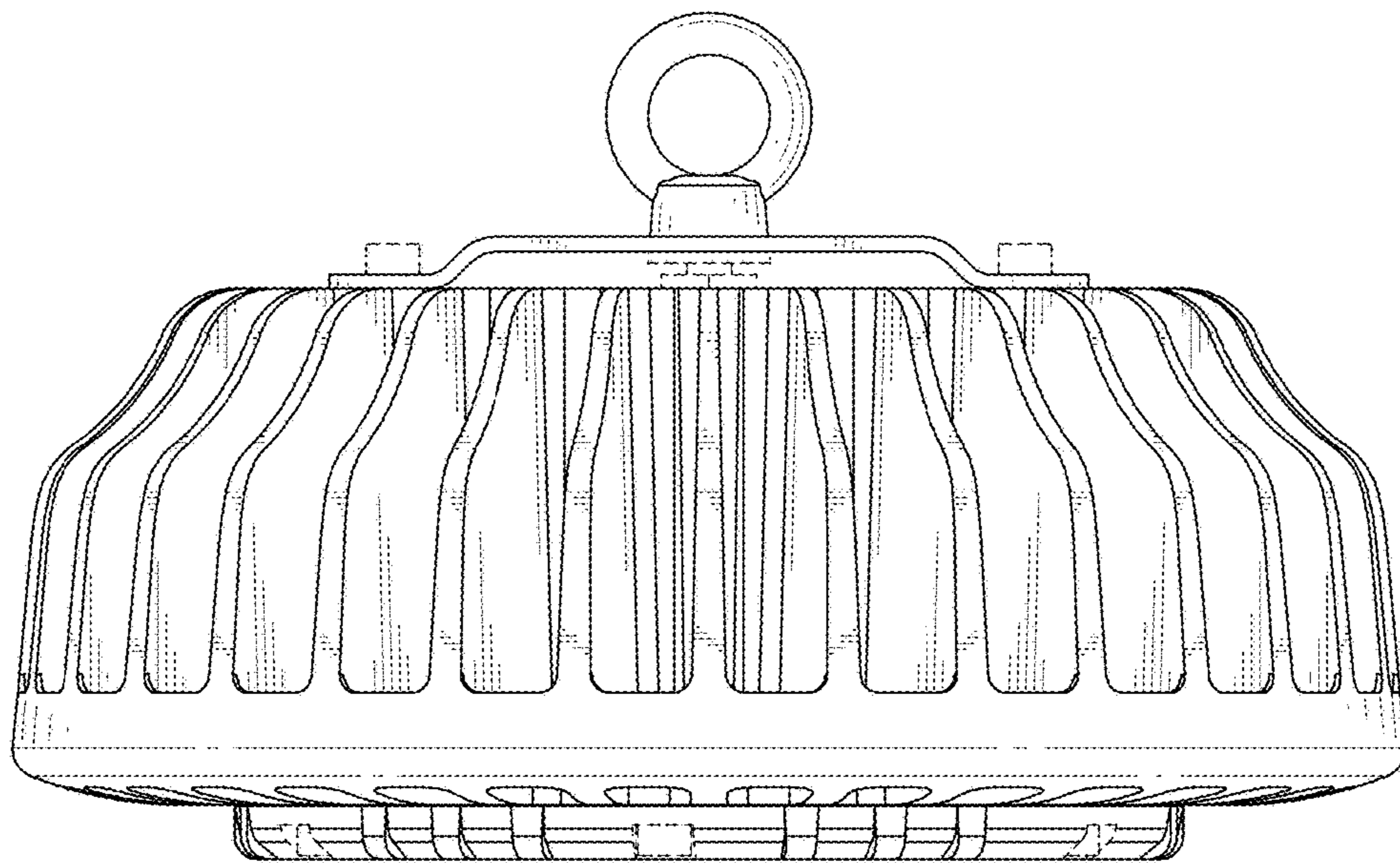


FIG. 3

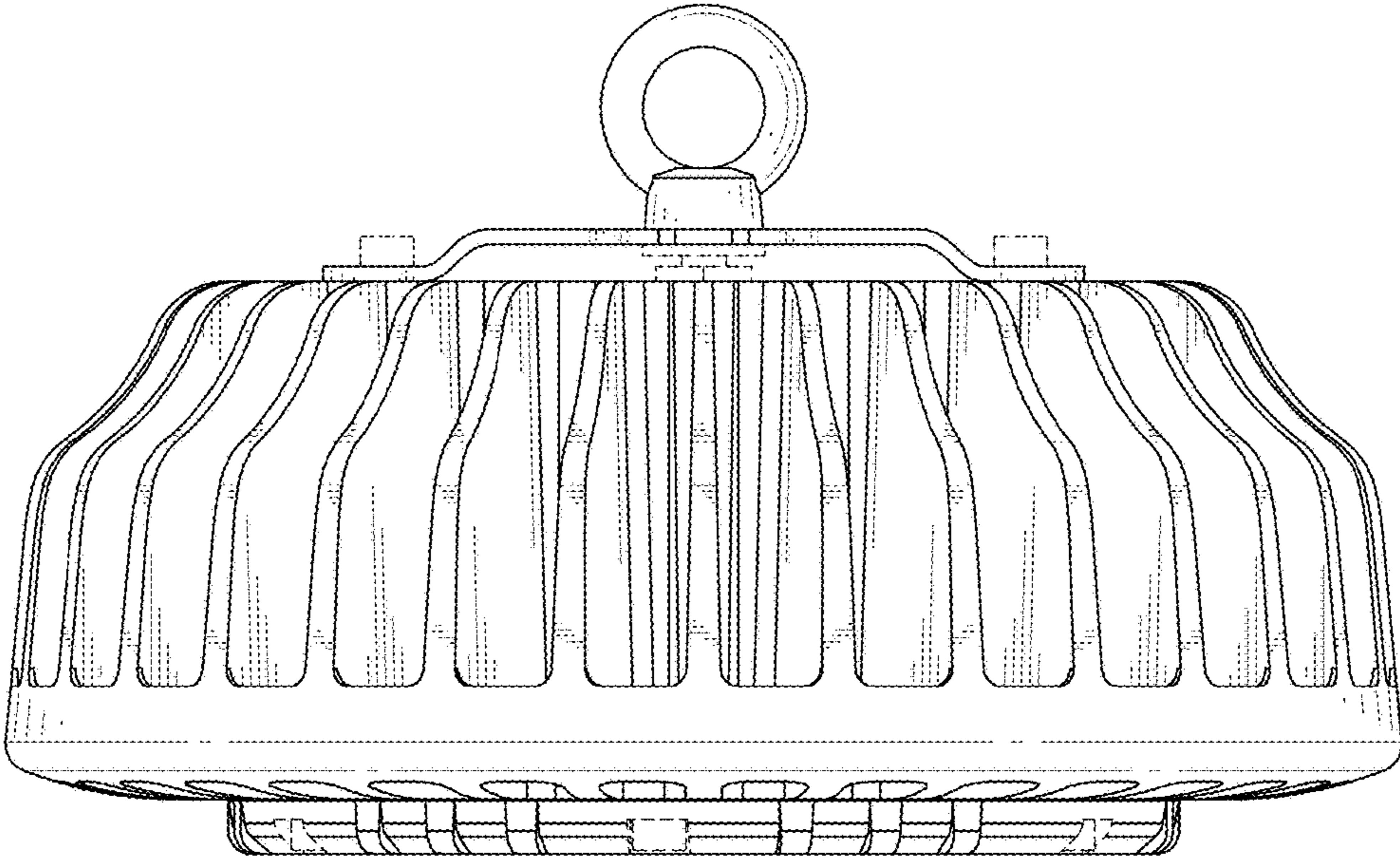


FIG. 4

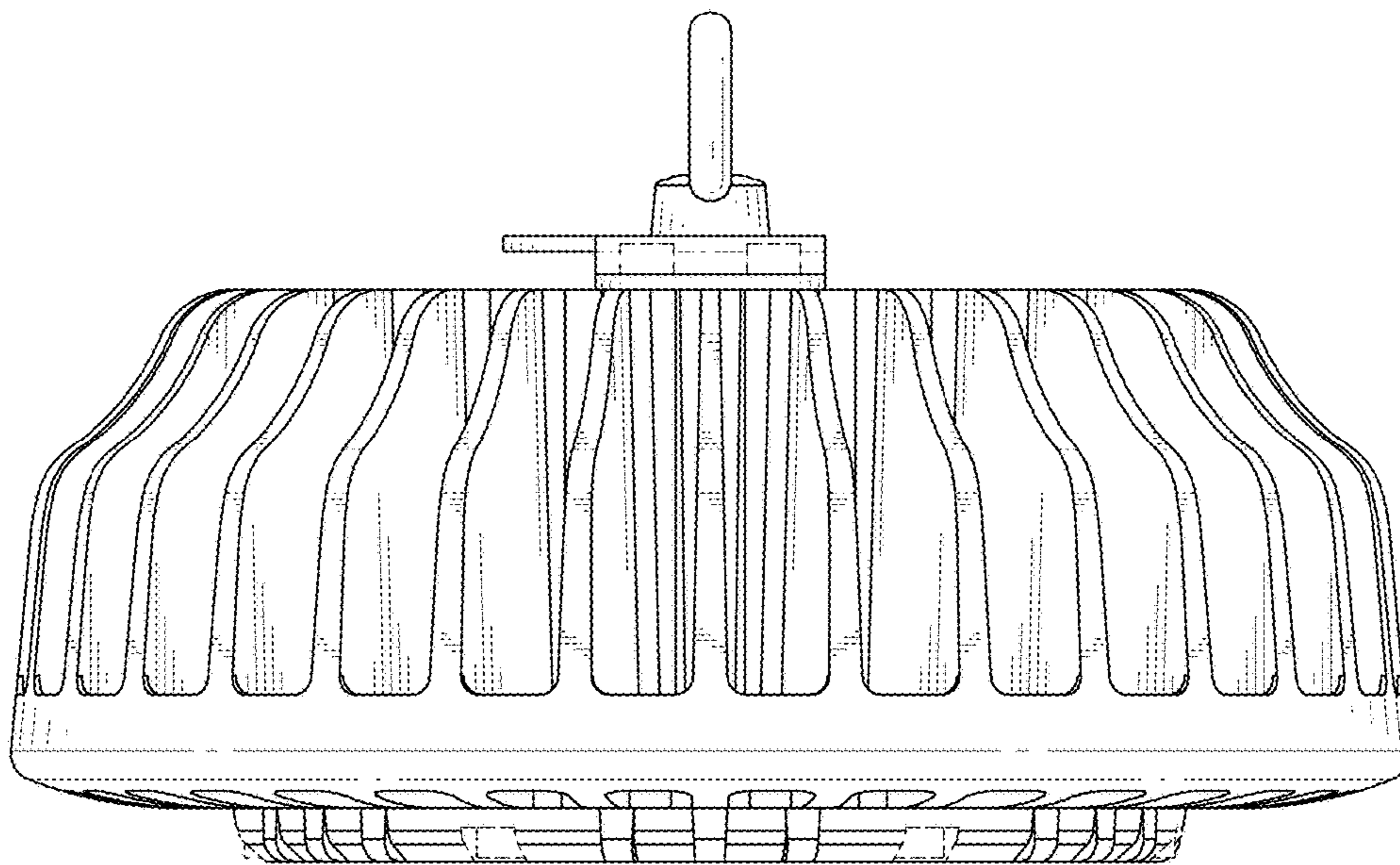


FIG. 5

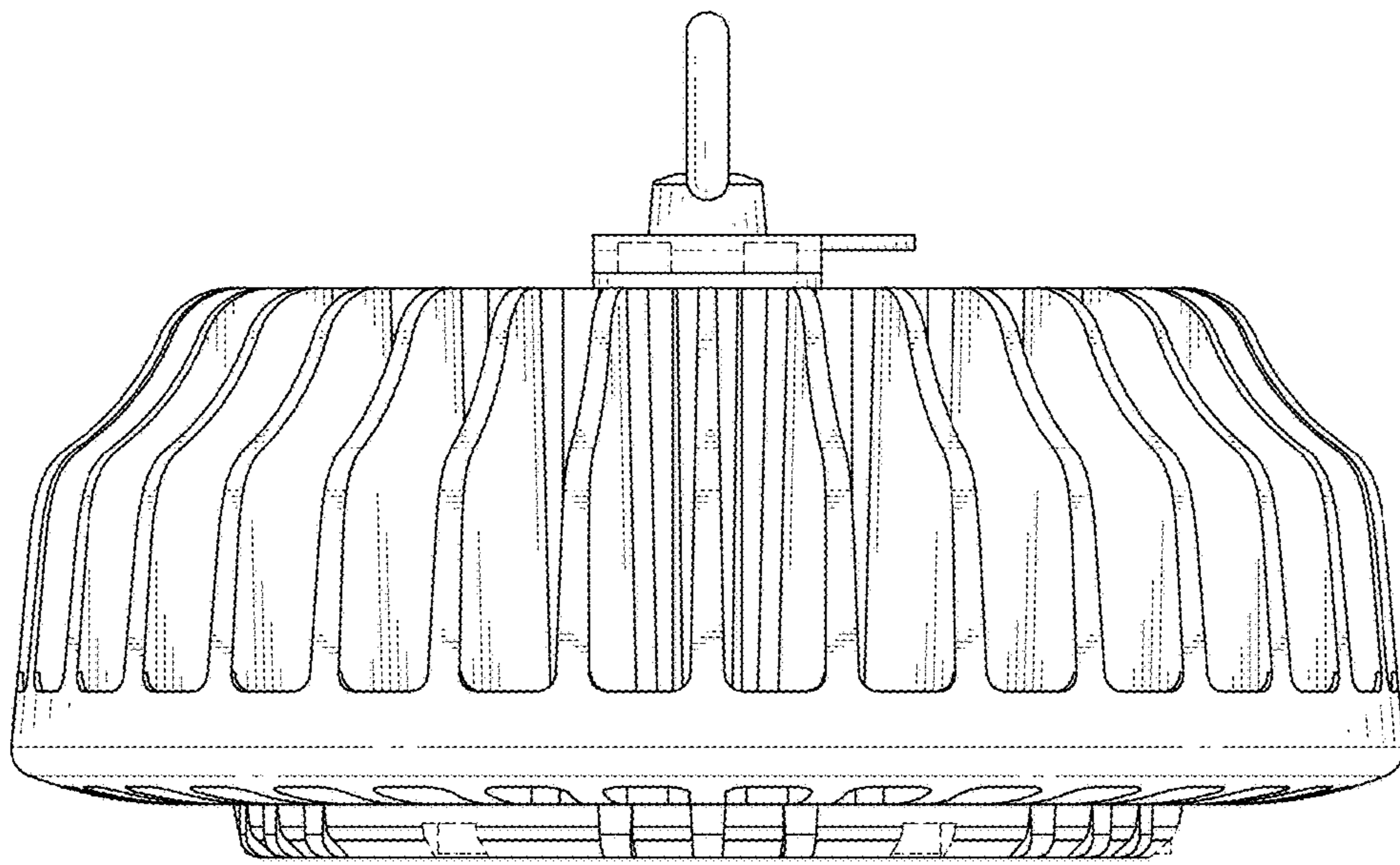


FIG. 6

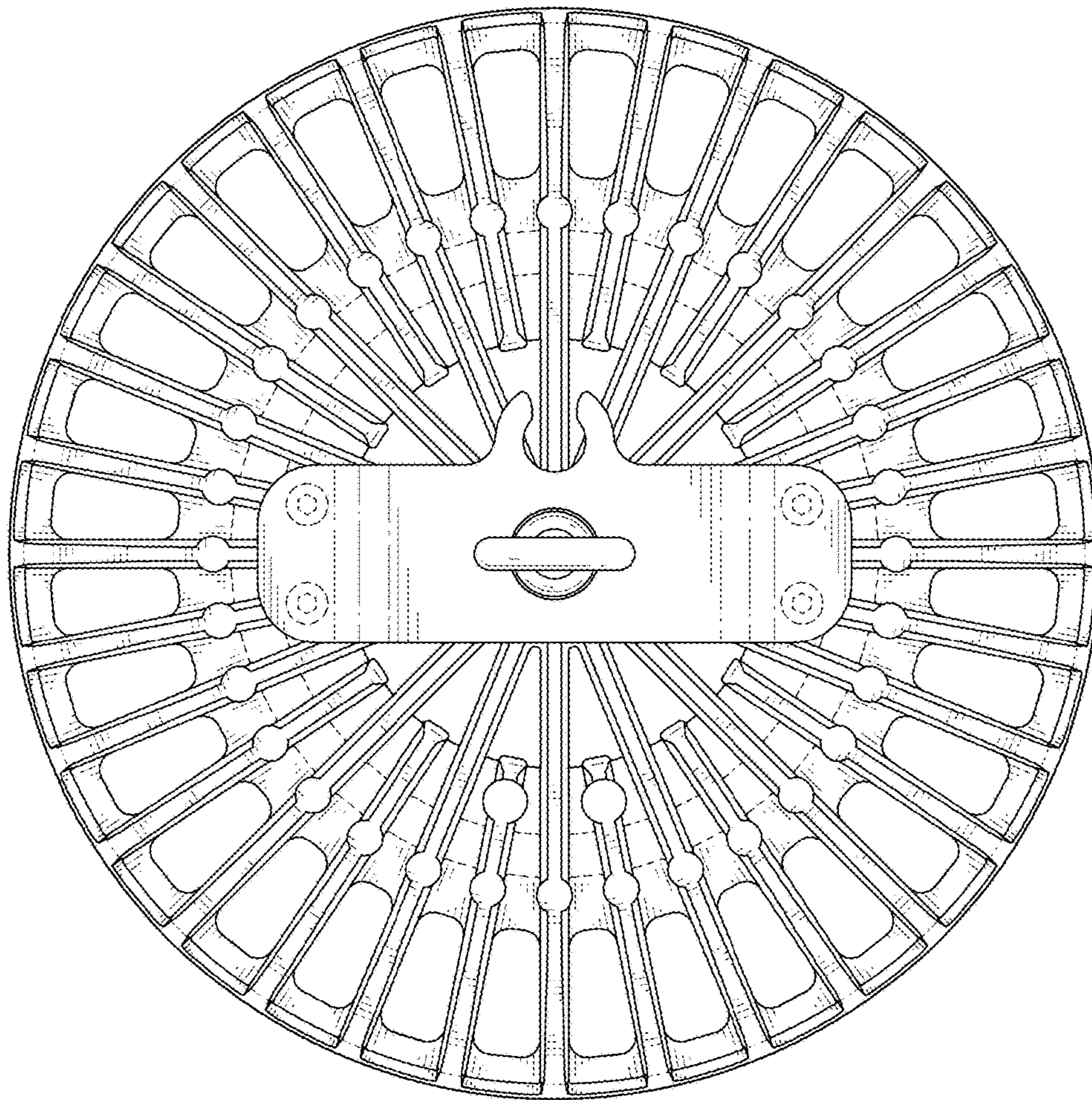


FIG. 7

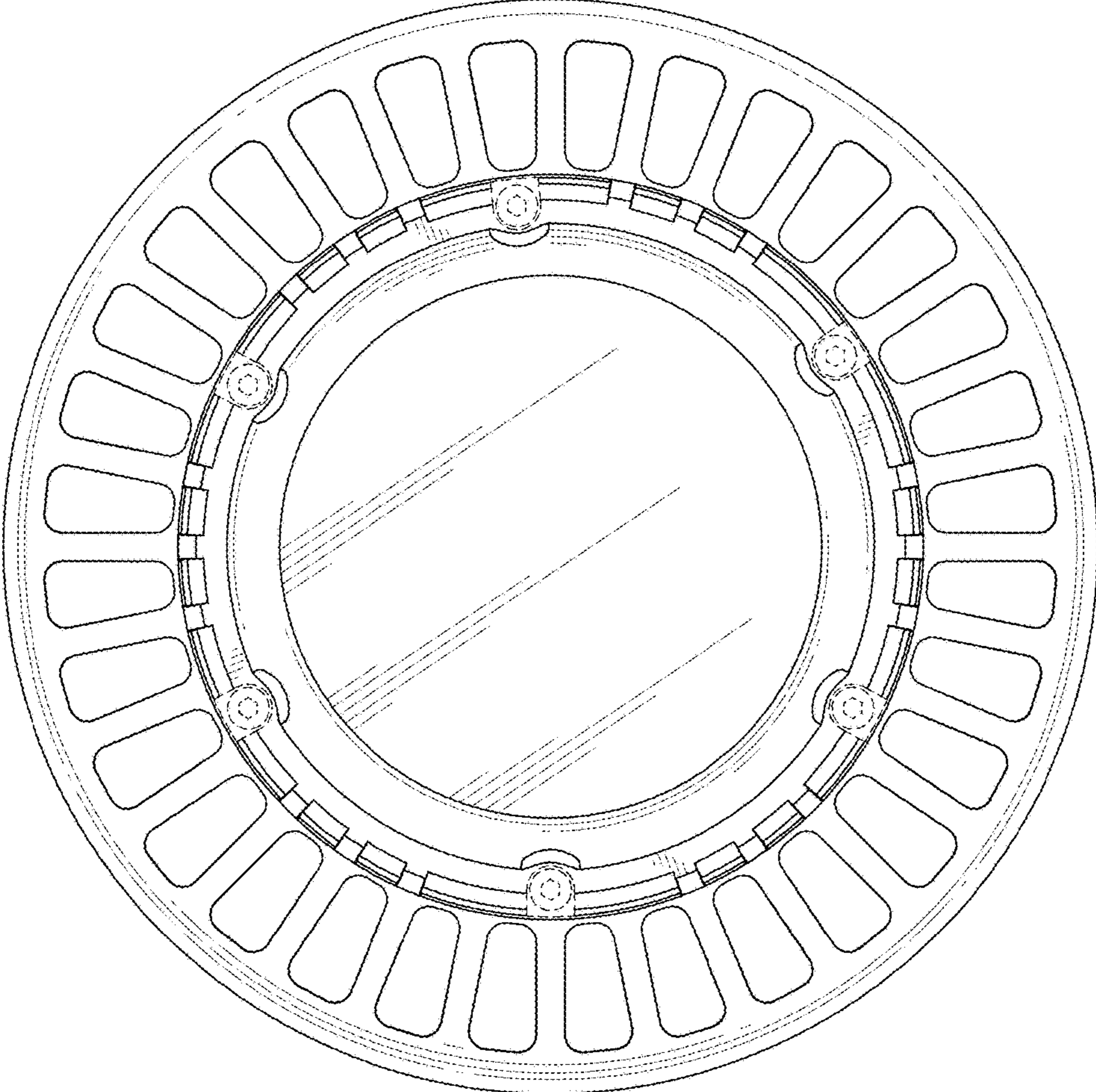


FIG. 8