



US00D860506S

(12) **United States Design Patent**
Engle et al.

(10) **Patent No.:** **US D860,506 S**

(45) **Date of Patent:** **** Sep. 17, 2019**

(54) **BAY LUMINAIRE**

(71) Applicant: **Hubbell Incorporated**, Shelton, CT
(US)

(72) Inventors: **Joseph Engle**, Taylors, SC (US);
Thomas Holscher, Simpsonville, SC
(US); **Alan Seward**, Simpsonville, SC
(US)

(73) Assignee: **Hubbell Incorporated**, Shelton, CT
(US)

(**) Term: **15 Years**

(21) Appl. No.: **29/624,598**

(22) Filed: **Nov. 2, 2017**

Related U.S. Application Data

(62) Division of application No. 29/562,054, filed on Apr.
22, 2016, now Pat. No. Des. 803,460.

(51) **LOC (12) Cl.** **26-03**

(52) **U.S. Cl.**
USPC **D26/88**

(58) **Field of Classification Search**
USPC D26/24, 63, 72, 80, 84, 88, 89, 118, 152
CPC F21S 8/04; F21S 8/026; F21S 8/033; F21S
8/036; F21S 8/03; F21S 8/043; F21S
8/046; F21S 8/06; F21S 8/061; F21S
8/063; F21S 8/068; F21S 13/02; F21V
21/04; F21V 17/02; F21V 17/04; F21V
17/164

See application file for complete search history.

(56) **References Cited**

U.S. PATENT DOCUMENTS

D163,812 S 7/1951 Mehr
3,413,462 A 11/1968 Spero
4,300,190 A 11/1981 Mershon

D268,876 S 5/1983 Leithauser, Jr.
5,136,490 A 8/1992 Morrison
D405,210 S 2/1999 Egleston
D418,938 S 1/2000 McCartney
D428,512 S 7/2000 Minissi
D442,720 S 5/2001 Minissi
D442,733 S 5/2001 Minissi
D450,406 S 11/2001 Knappstein
D488,880 S 4/2004 Rahn
D544,127 S 6/2007 Posey
D583,980 S 12/2008 Guercio
D586,299 S 2/2009 Suzuki
D588,298 S 3/2009 Sabernig
D592,792 S 5/2009 Keller
D627,502 S 11/2010 Zheng
D707,382 S 6/2014 Ni
D741,533 S 10/2015 Yeh
D780,972 S * 3/2017 Morello D26/72

(Continued)

OTHER PUBLICATIONS

LGI Technology "LEDzilla" High-Bay Acrylic fixture; © 2012.
From the lgitek.com website visited Dec. 13, 2016. (2 pages). (Year:
2016).*

(Continued)

Primary Examiner — Clare E Heflin

(74) *Attorney, Agent, or Firm* — Michael Best &
Friedrich, LLP

(57) **CLAIM**

The ornamental design for a bay luminaire, as shown and
described.

DESCRIPTION

FIG. 1 is a top perspective view of an embodiment of the
design;

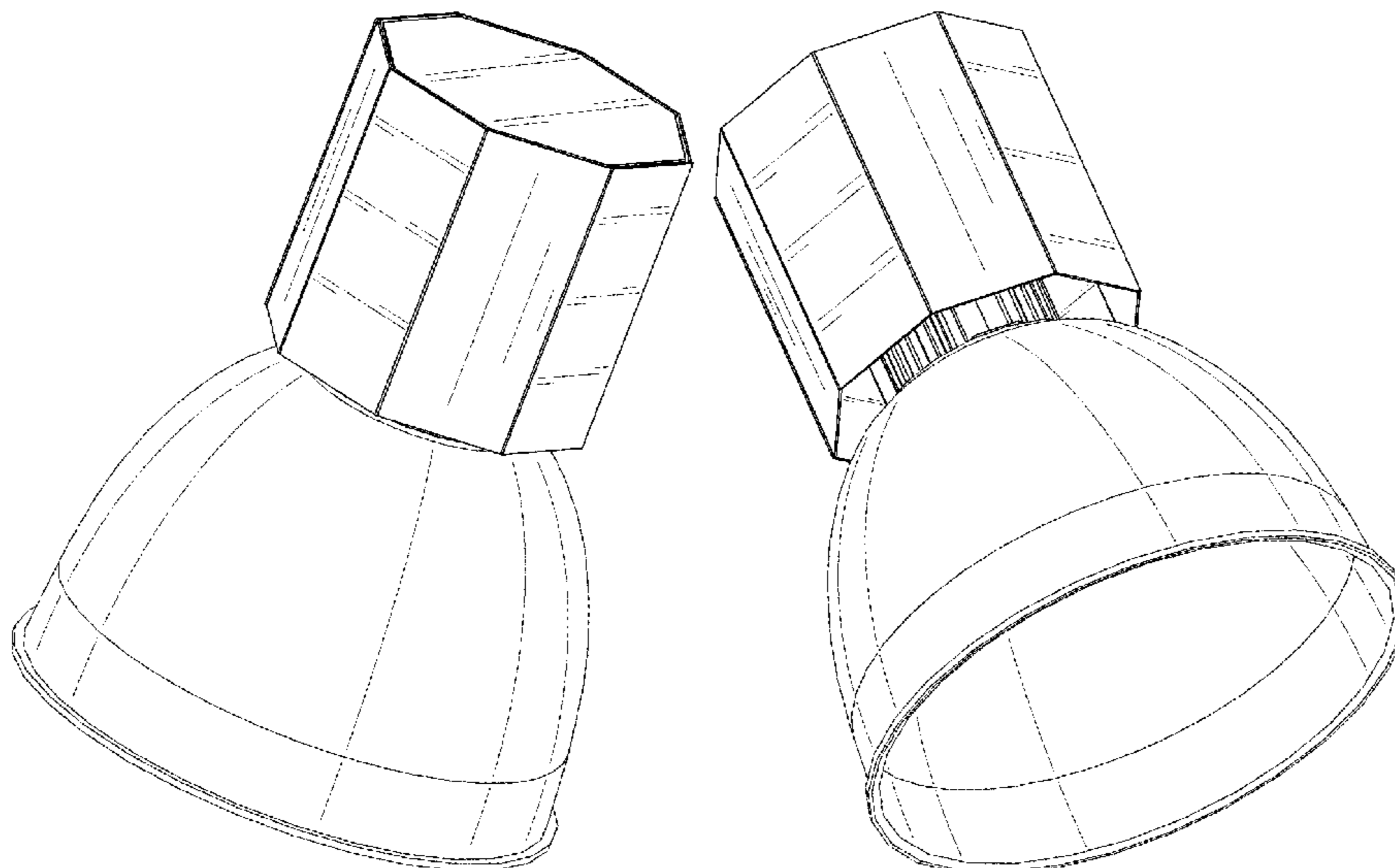
FIG. 2 is a bottom perspective view of FIG. 1;

FIG. 3 is a side view of FIG. 1;

FIG. 4 is a top view of FIG. 1; and,

FIG. 5 is a bottom view of FIG. 1.

1 Claim, 2 Drawing Sheets



(56)

References Cited

U.S. PATENT DOCUMENTS

D784,591 S * 4/2017 Bryant D26/72
D803,453 S * 11/2017 Engle D26/72
2010/0020549 A1 1/2010 Arceneaux
2012/0206927 A1* 8/2012 Miyahara F21V 29/004
362/382
2012/0275163 A1 11/2012 Chen
2013/0100677 A1* 4/2013 Powell F21S 8/06
362/296.01
2014/0233233 A1 8/2014 Park
2015/0323162 A1 11/2015 Xu
2016/0290603 A1* 10/2016 Morello F21V 13/02

OTHER PUBLICATIONS

LGI Technologi "LEDzilla" High-Bay Acrylic fixture; 2012. From the lgitek.com website visited Dec. 13, 2016. (2 pages).

* cited by examiner

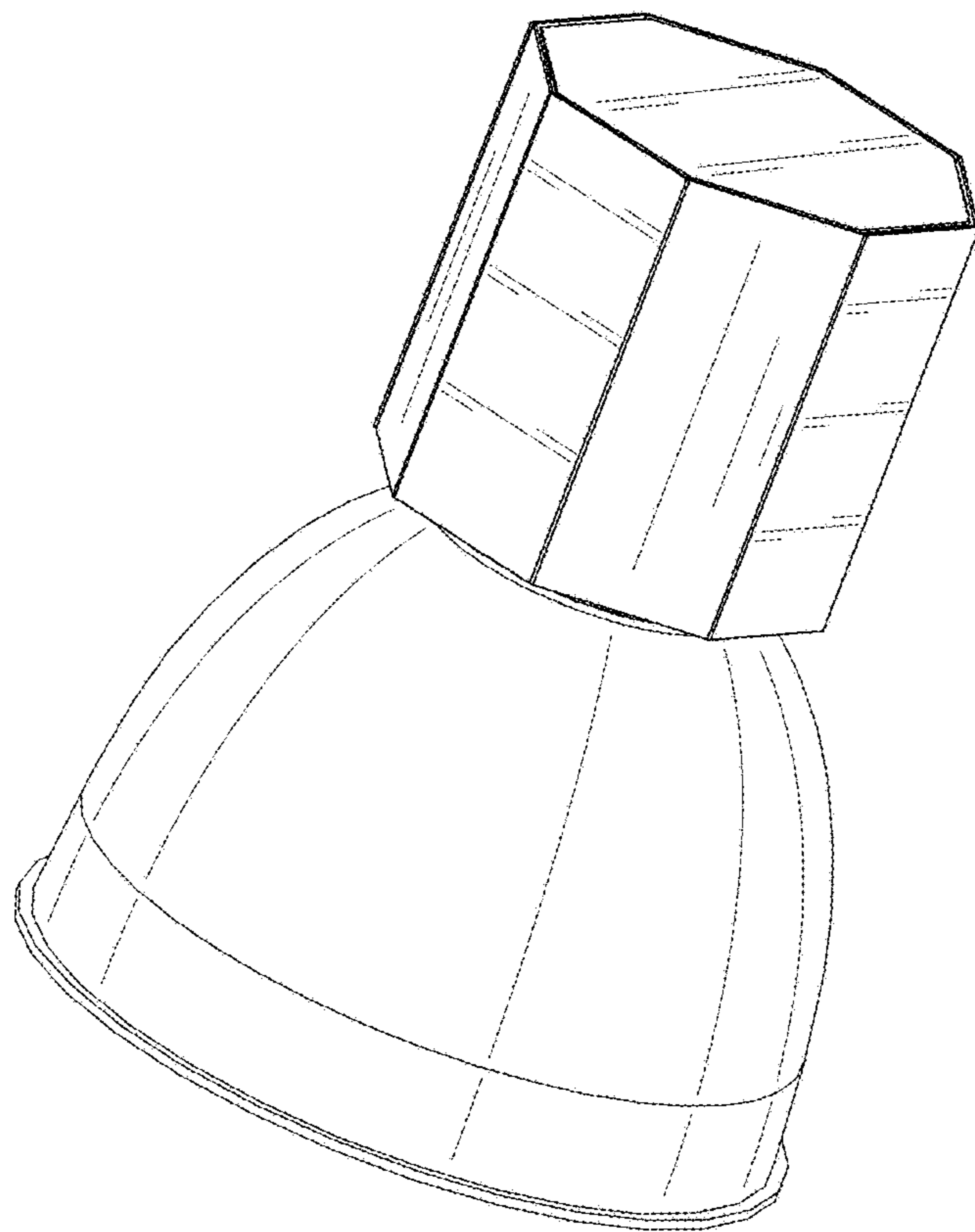


FIG. 1

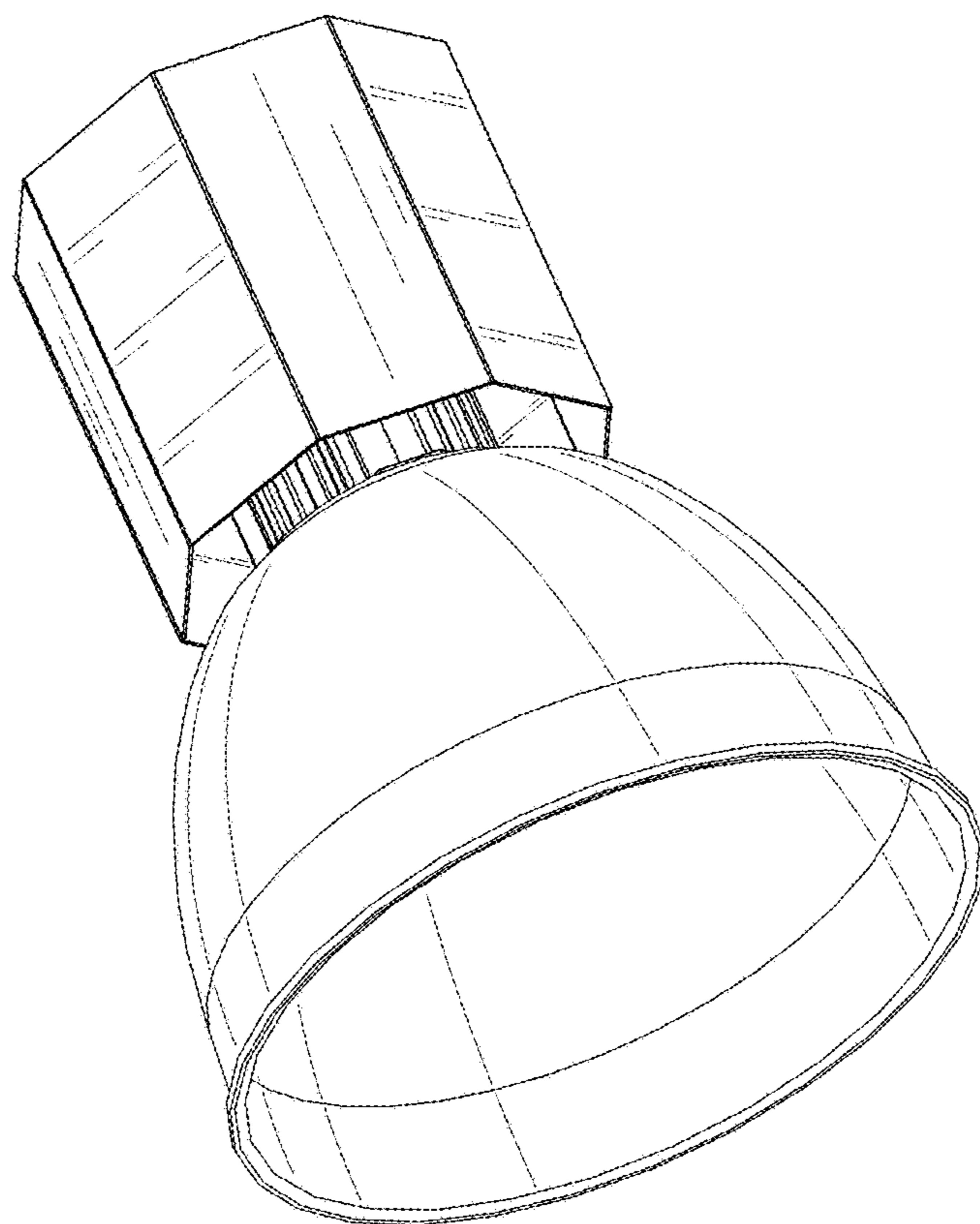


FIG. 2

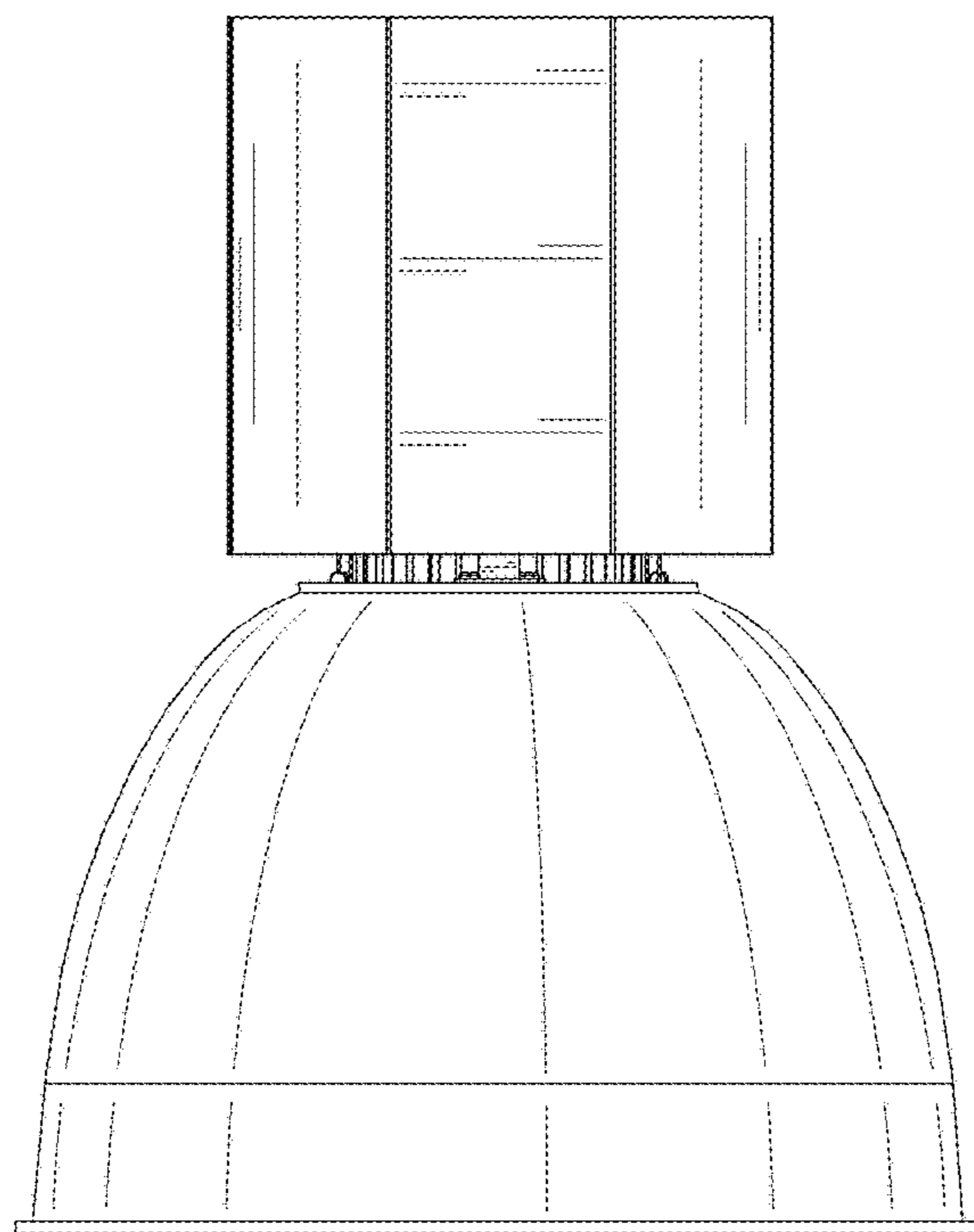


FIG. 3

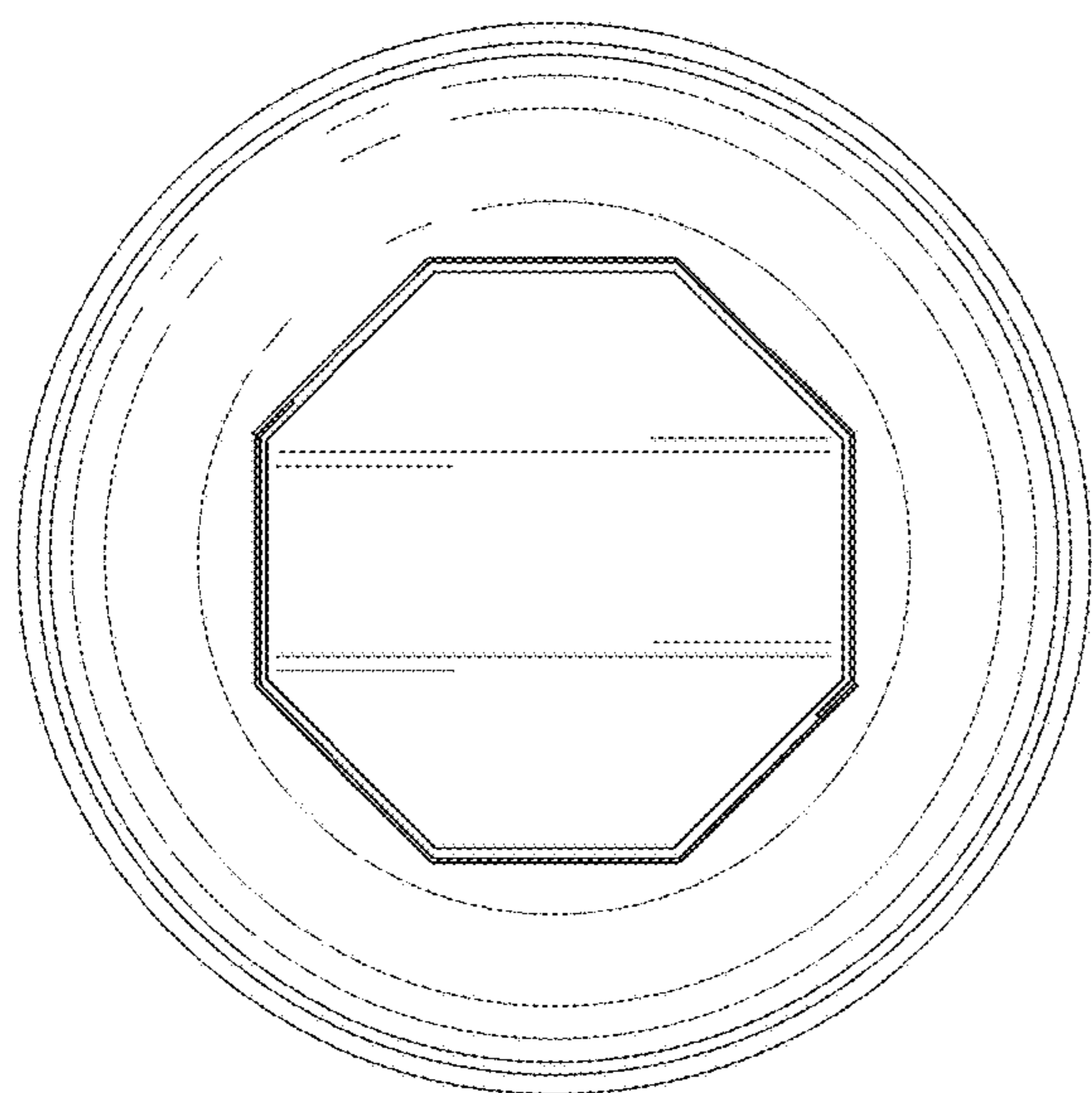


FIG. 4

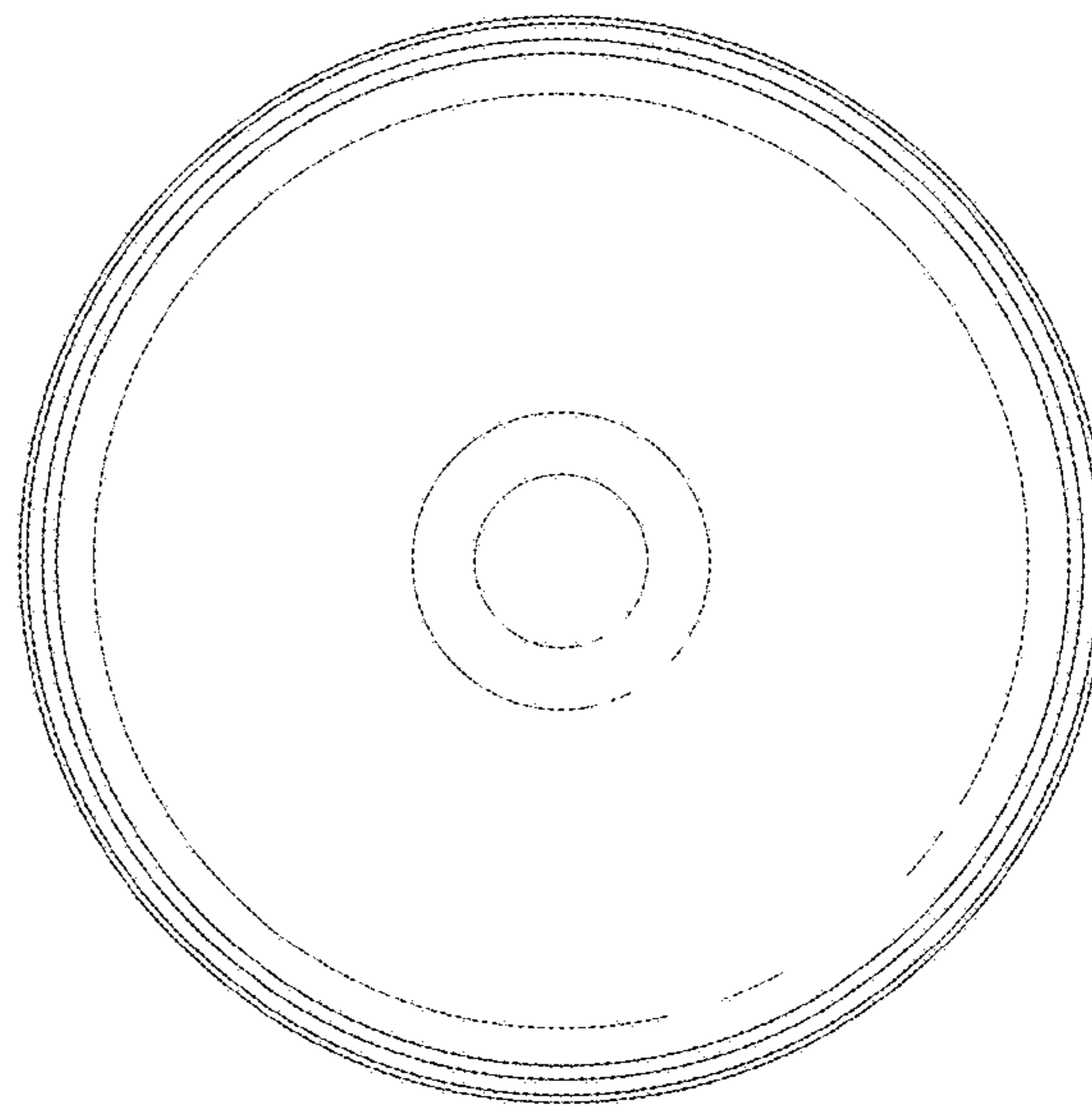


FIG. 5