

US00D860505S

(12) **United States Design Patent**
Liu et al.

(10) **Patent No.:** **US D860,505 S**

(45) **Date of Patent:** **** Sep. 17, 2019**

(54) **WALLPACK LIGHT FIXTURE**

(71) Applicant: **Shenzhen HG Lighting Co., Ltd,**
Shenzhen (CN)

(72) Inventors: **Zhongding Liu,** Shenzhen (CN);
Jinlong Liao, Shenzhen (CN); **Linlin Zhu,**
Shenzhen (CN); **Zixiang Shu,** Shenzhen (CN)

(73) Assignee: **Shenzhen HG Lighting Co., Ltd,**
Shenzhen (CN)

(**) Term: **15 Years**

(21) Appl. No.: **29/684,562**

(22) Filed: **Mar. 22, 2019**

(30) **Foreign Application Priority Data**

Oct. 26, 2018 (CN) 2018 3 0602111

(51) **LOC (12) Cl.** **26-03**

(52) **U.S. Cl.**
USPC **D26/85**

(58) **Field of Classification Search**
USPC D26/72, 85
CPC F21S 8/03; F21S 8/033; F21W 2131/107
See application file for complete search history.

(56) **References Cited**

U.S. PATENT DOCUMENTS

D272,193 S *	1/1984	Sangiamo	D26/85
D336,964 S *	6/1993	Janssen	D26/28
D440,683 S *	4/2001	Guercio	D26/24
D561,376 S	2/2008	Guercio		
D583,977 S	12/2008	Guercio		
D584,445 S	1/2009	Guercio		
D815,331 S *	4/2018	Yang	D26/85
D819,255 S *	5/2018	Kollarits	D26/85

D833,055 S *	11/2018	Deng	D26/85
2014/0177228 A1 *	6/2014	Ellingson	F21V 3/06 362/294
2014/0293612 A1 *	10/2014	Tsao	F21S 8/033 362/297
2015/0167936 A1 *	6/2015	Yong	F21V 29/83 362/190
2017/0261183 A1 *	9/2017	Elmore	F21V 15/01
2017/0370556 A1 *	12/2017	Zheng	F21V 17/107
2018/0031191 A1 *	2/2018	Xiang	F21V 15/01
2018/0299096 A1 *	10/2018	Zhou	F21V 5/007

FOREIGN PATENT DOCUMENTS

TW	D126173	11/2008
TW	D130019	7/2009

OTHER PUBLICATIONS

WPAS Architectural Wall Pack—Small. From hew.com visited May 13, 2019. (Year: 2019).*

(Continued)

Primary Examiner — Clare E Heflin

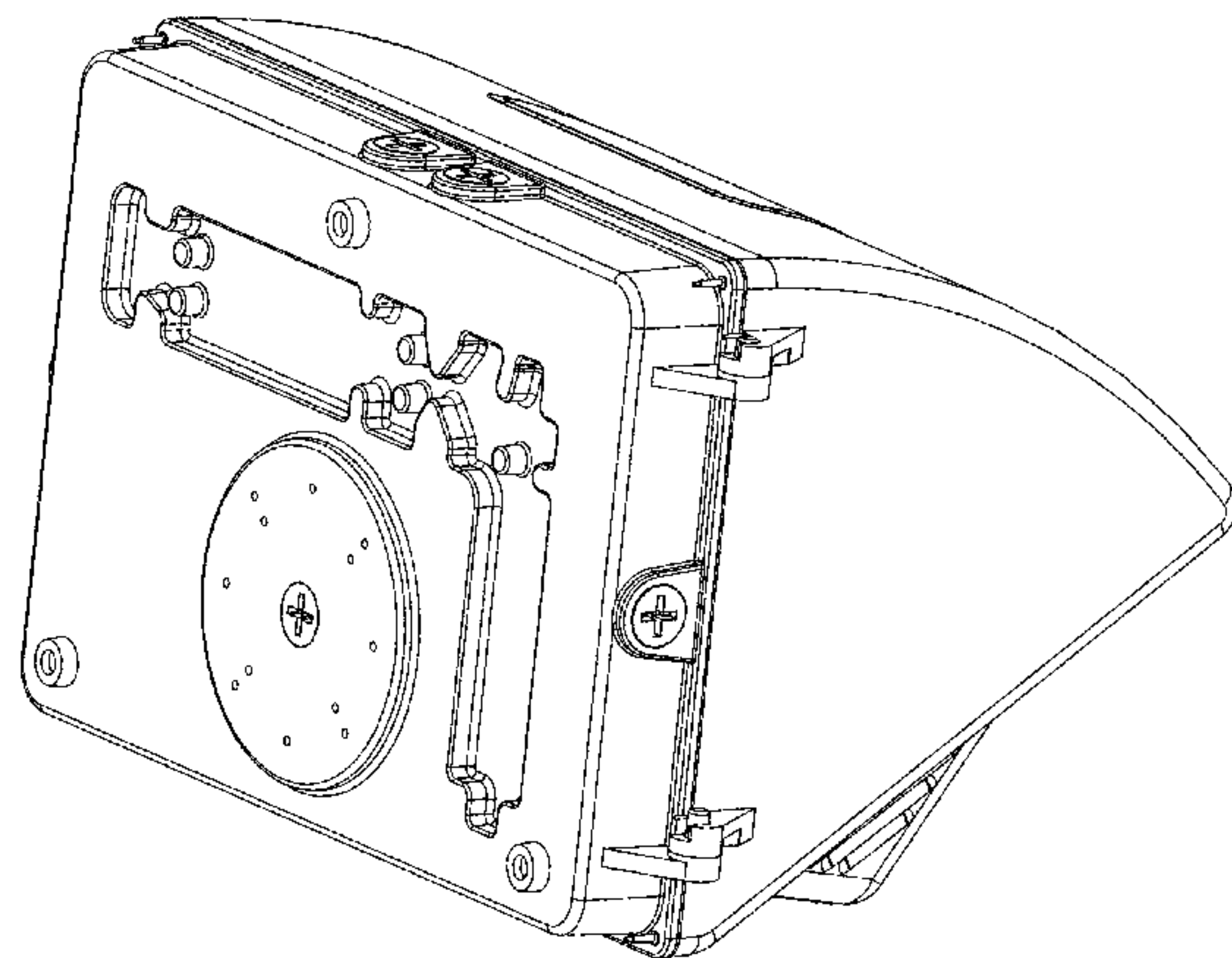
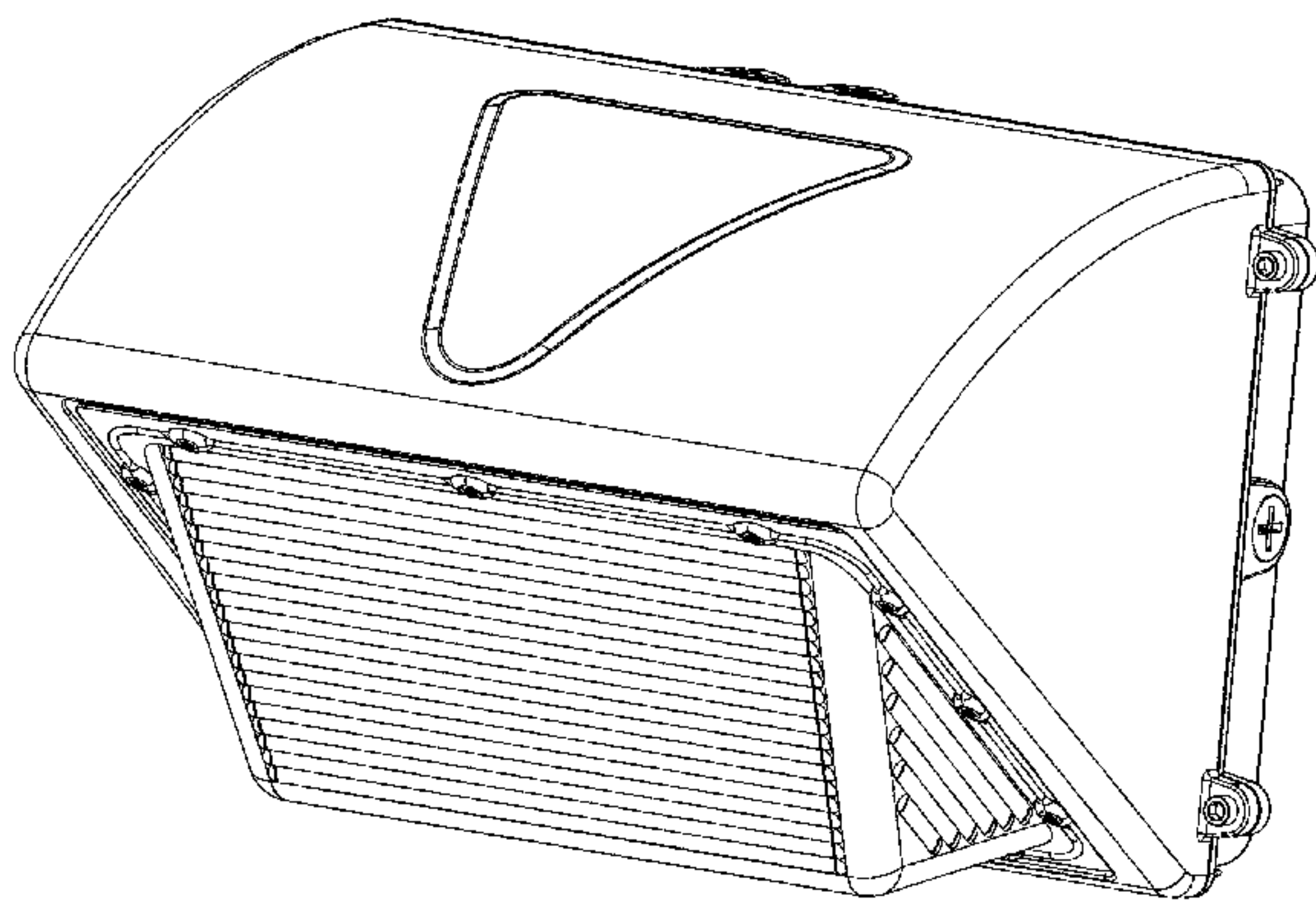
(57) **CLAIM**

The ornamental design for a wallpack light fixture, as shown and described.

DESCRIPTION

FIG. 1 is a front elevational view of a wallpack light fixture showing my new design;
FIG. 2 is a rear elevational view thereof;
FIG. 3 is a right side elevational view thereof;
FIG. 4 is a left side elevational view thereof;
FIG. 5 is a top plan view thereof;
FIG. 6 is a bottom plan view thereof;
FIG. 7 is a perspective view thereof; and,
FIG. 8 is another perspective view thereof.

1 Claim, 8 Drawing Sheets



(56)

References Cited

OTHER PUBLICATIONS

55W DLC LED Wall Pack—7100 Lumens, LED Powered Outdoor Security Semi Cutoff Wall Pack Lights—Commercial or Industrial Durable Security Lighting—5000K—U—5 Year Warranty, by Green Light Depot. Date first available at amazon.com—May 30, 2018. (Year: 2018).*

Dakason 60W LED wall Pack Light Fixture with Dusk to Dawn Photocell. By Dakason. Date first available at amazon.com—Oct. 26, 2018. (Year: 2018).*

Hyperikon 60W LED Wall Pack by Hyperikon. Date first available at amazon.com—Nov. 14, 2018. (Year: 2018).*

Hyperikon LED Wall Pack 50W Fixture. Date first available at amazon.com—Jan. 11, 2018. (Year: 2018).*

“Parmida LED Wall Pack Light, 60W (250W MH Replacement), 0-10V Dimmable, 5000K, 7200LM, DLC 4.2 & ETL, Made with Real Glass, Waterproof Rated, Outdoor Wall Light”, [Retrieved Mar. 13, 2019]. Retrieved from Internet, <https://www.amazon.com/Parmida-LED-Replacement-Dimmable-Waterproof/dp/B074JJWK98/>

ref=sr_1_4?crd=2JI7T8KK2W7X7&keywords=wallpack+lights&qid=1552468048&s=gateway&sprefix=wallpack+lig%2Caps%2C595&sr=8-4.

“UL & DLC—60W LED Outdoor Wall Pack Light with Photocell Sensor, 5000K Cool White, 7500 Lumens, 400 Watt Equivalency, Waterproof, Easy Mount, Commercial/Industrial/Residential”, [Retrieved Mar. 13, 2019]. Retrieved from Internet, https://www.amazon.com/DLC-Equivalency-Waterproof-Commercial-Residential/dp/B07DXJVG7B/ref=sr_1_1_sspa?crd=2JI7T8KK2W7X7&keywords=wallpack+lights&qid=1552468487&s=gateway&sprefix=wallpack+lig%2Caps%2C595&sr=8-1-spons&psc=1.

“GKOLED 70W LED Wall Pack Fixture, 8100 Lumens, 5000K Daylight, 400W HPS/HID Replacement, Waterproof Commercial Grade Wall Pack Light, UL Listed & DLC 4.2 Qualified, Shatterproof Optical Lens”, [Retrieved Mar. 13, 2019]. Retrieved from Internet, https://www.amazon.com/GKOLED-Replacement-Waterproof-Commercial-Shatterproof/dp/B0721TN18Z/ref=sr_1_2_sspa?crd=2JI7T8KK2W7X7&keywords=wallpack+lights&qid=1552468487&s=gateway&sprefix=wallpack+lig%2Caps%2C595&sr=8-2-spons&psc=1.

* cited by examiner

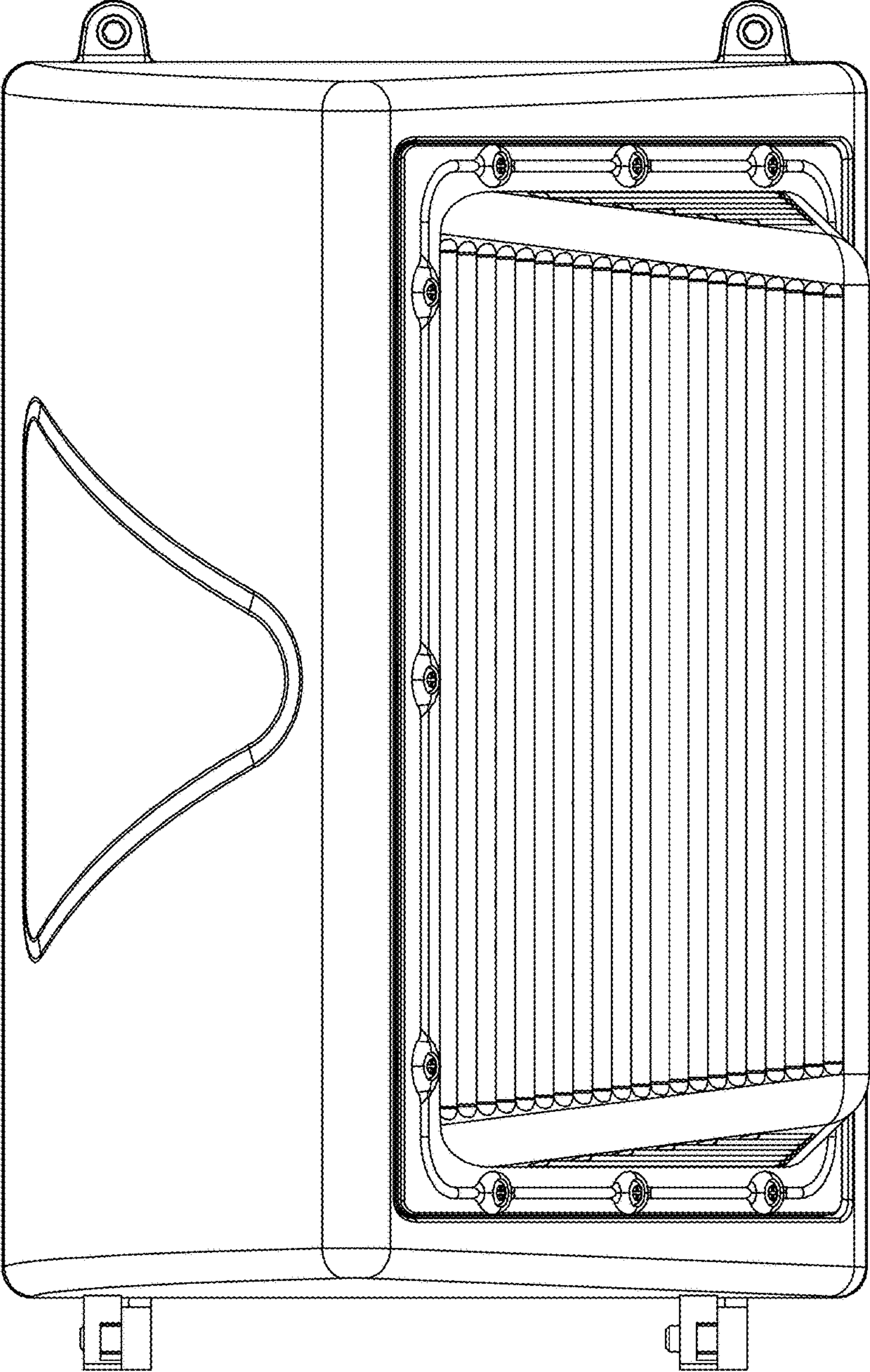


FIG. 1

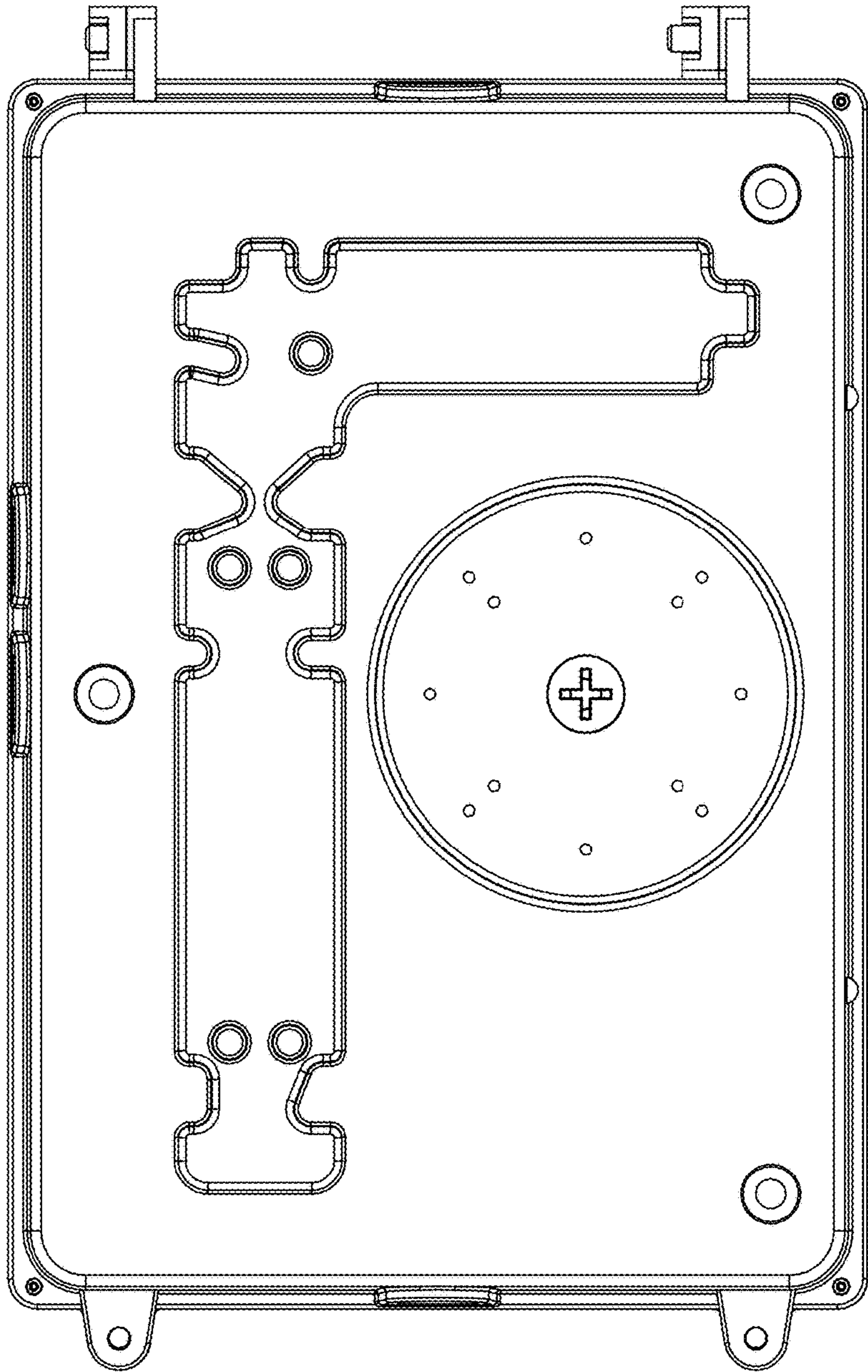


FIG. 2

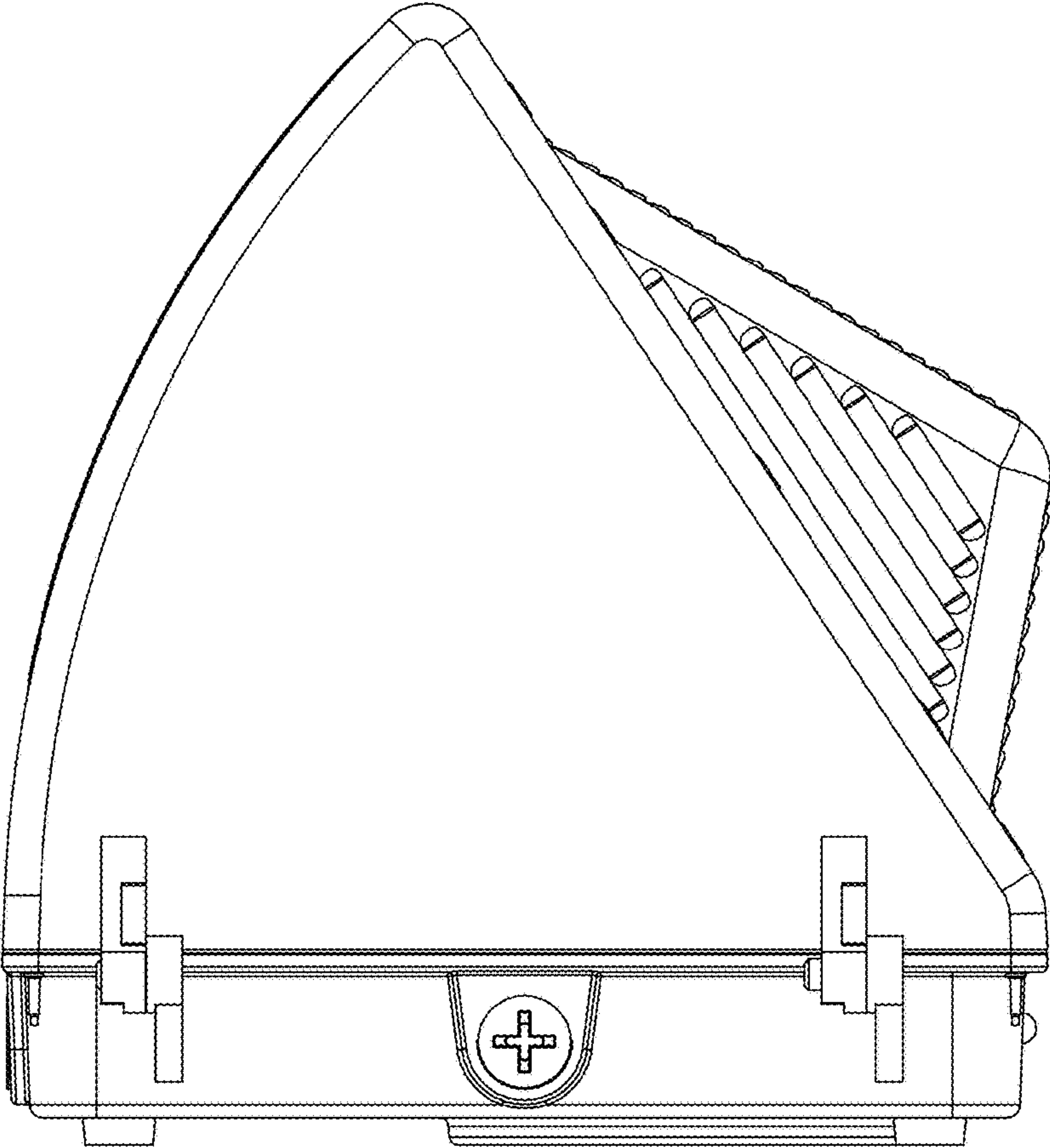


FIG. 3

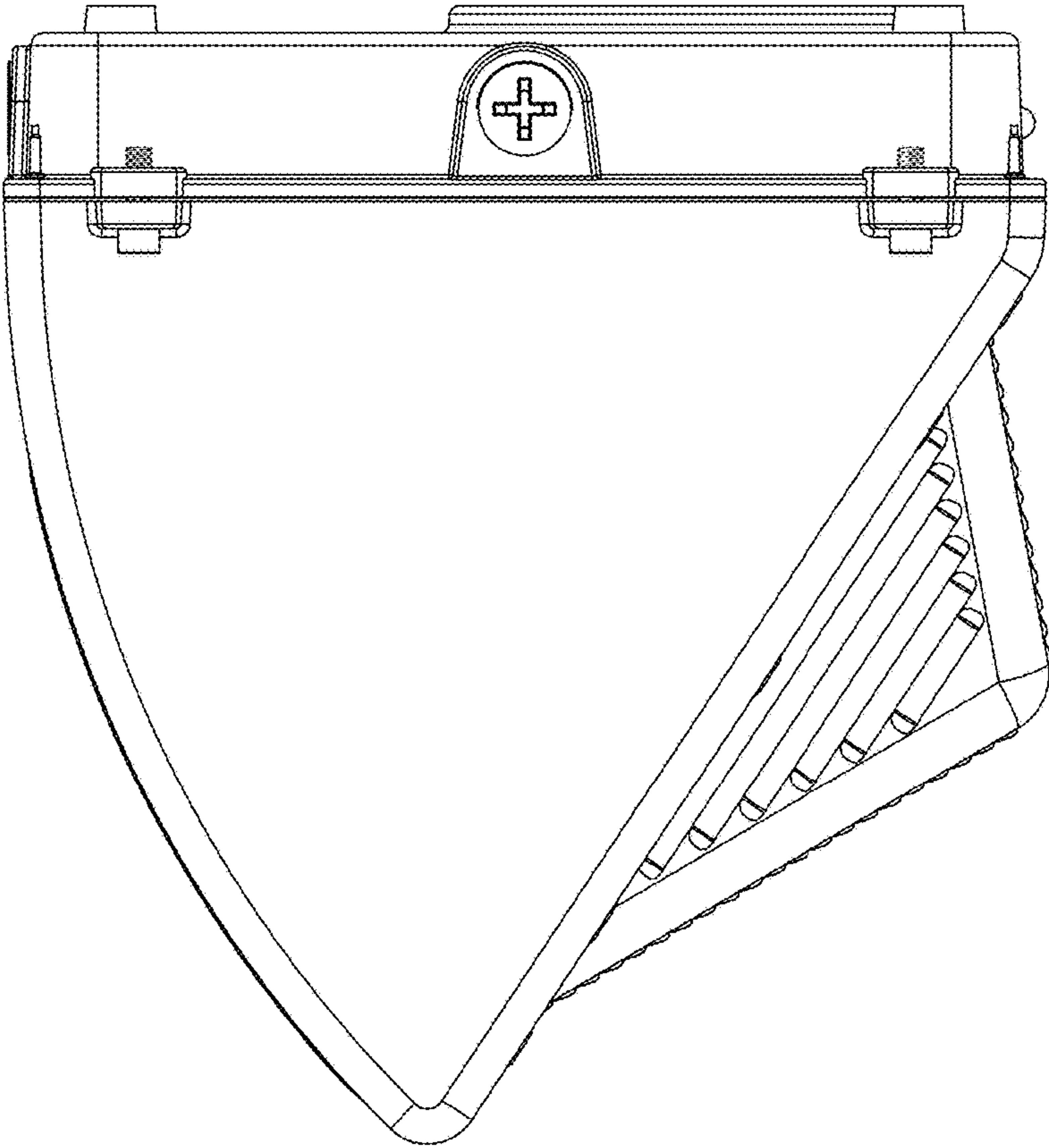


FIG. 4

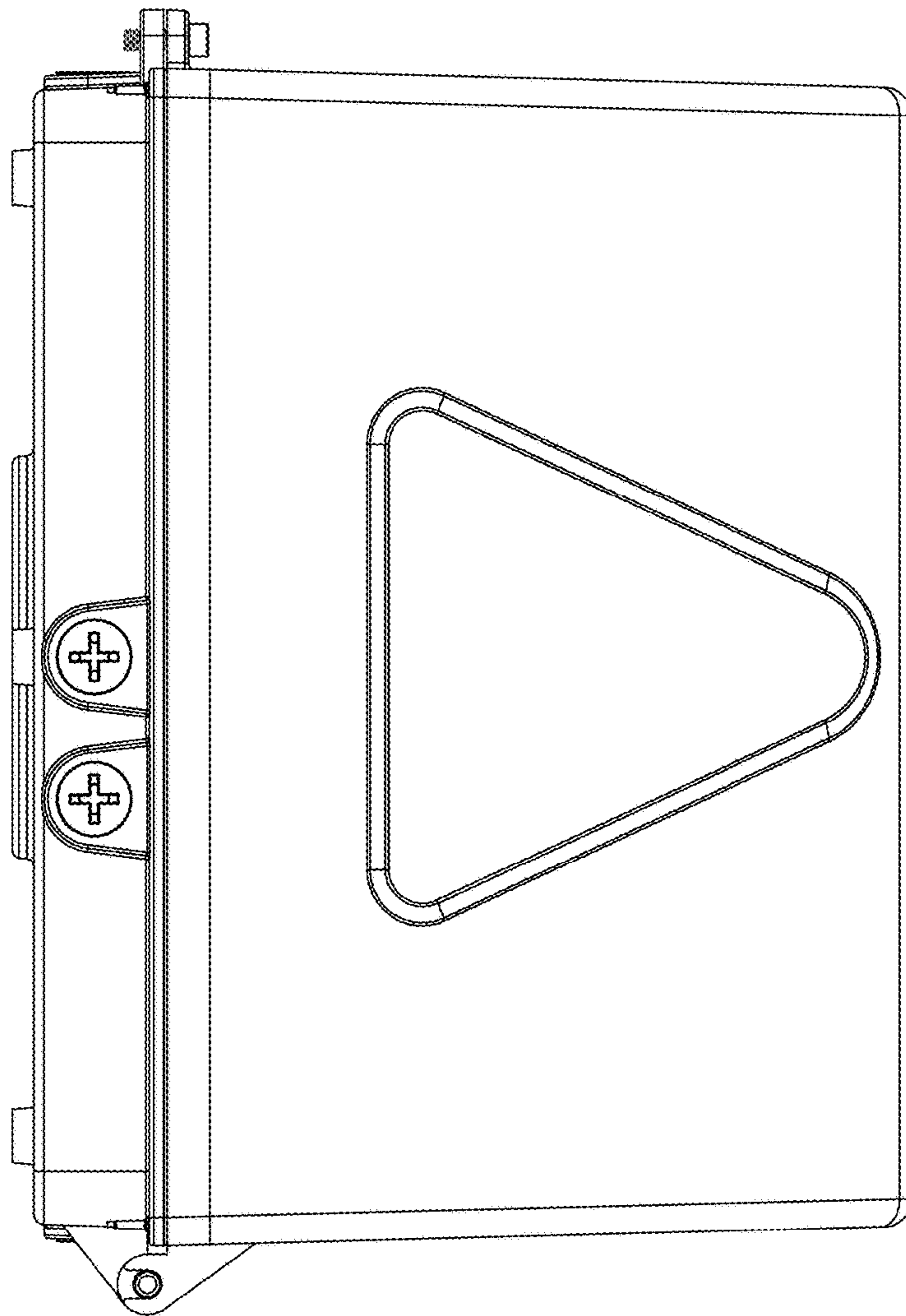


FIG. 5

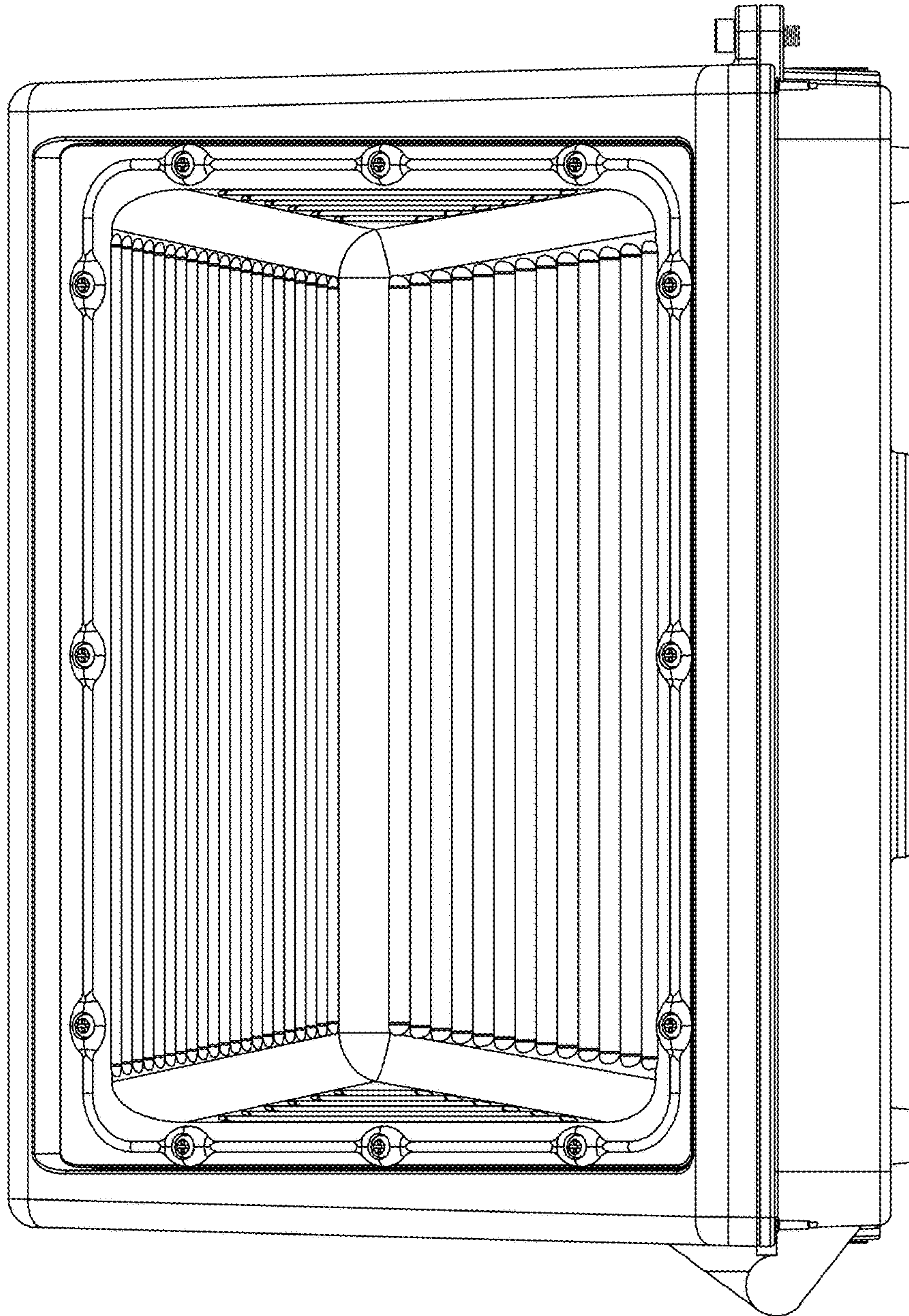


FIG. 6

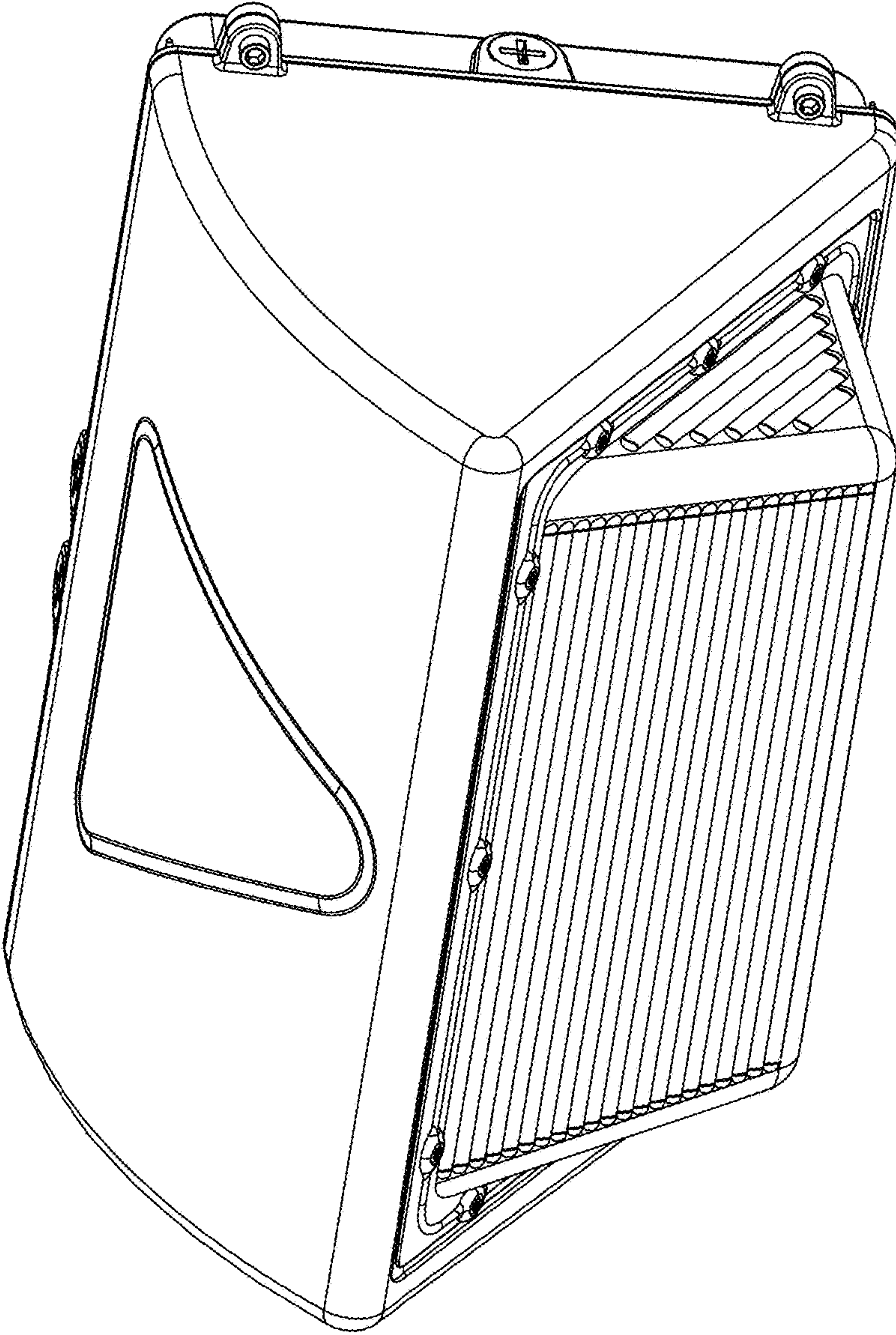


FIG. 7

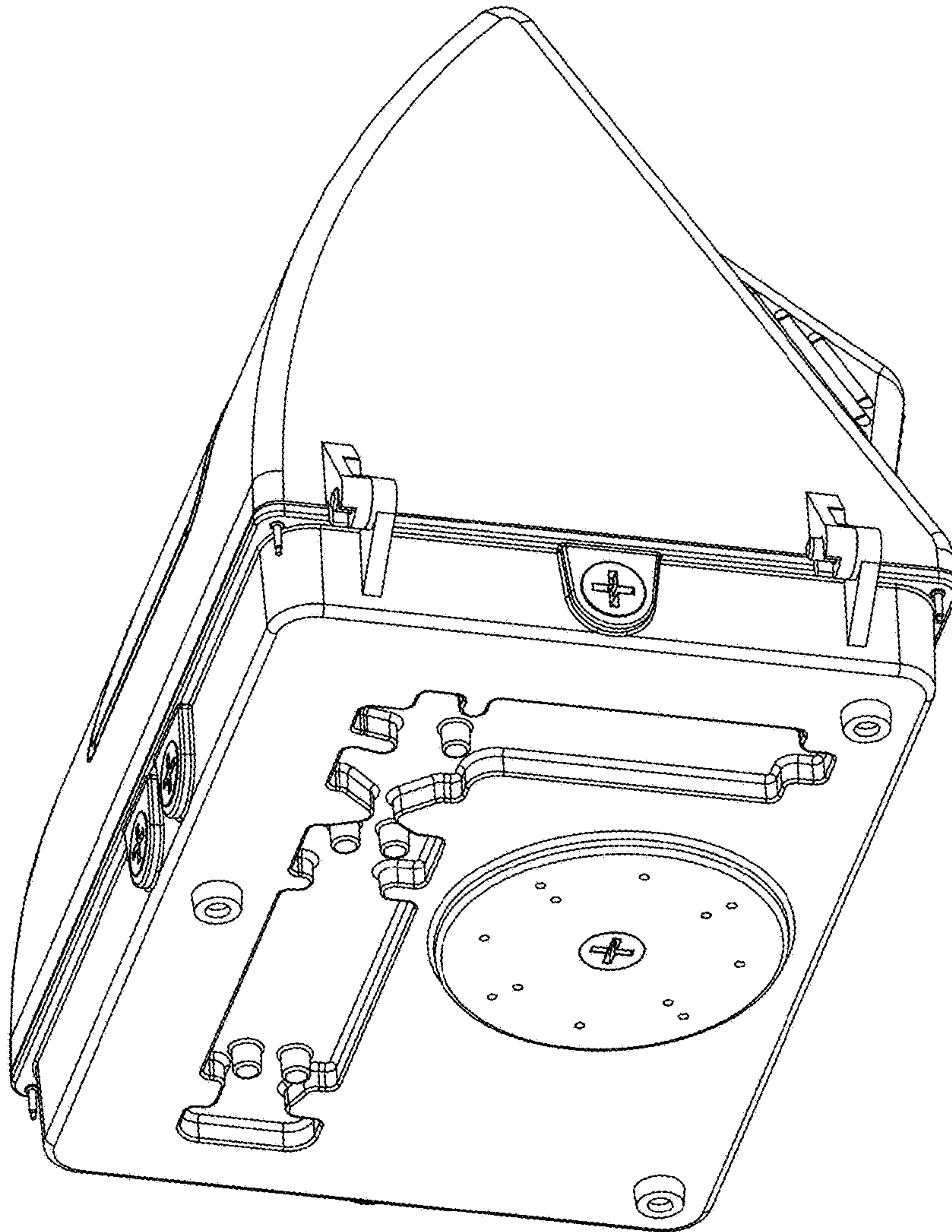


FIG. 8