



US00D860504S

(12) **United States Design Patent** (10) **Patent No.:** **US D860,504 S**
Coombes et al. (45) **Date of Patent:** **** Sep. 17, 2019**

- (54) **LAMP**
- (71) Applicant: **GIOPATO & COOMBES S.R.L.**,
Treviso (IT)
- (72) Inventors: **Christopher Coombes**, Treviso (IT);
Cristiana Giopato, Treviso (IT)
- (73) Assignee: **GIOPATO & COOMBES S.R.L.**,
Treviso (IT)
- (**) Term: **15 Years**
- (21) Appl. No.: **29/642,360**
- (22) Filed: **Mar. 29, 2018**
- (51) **LOC (12) Cl.** **26-03**
- (52) **U.S. Cl.**
USPC **D26/82; D26/90**
- (58) **Field of Classification Search**
USPC D26/72, 80, 81, 82, 84, 85, 86, 88, 90,
D26/91, 118
CPC F21S 8/04; F21S 8/043; F21S 8/046; F21S
8/06; F21S 8/063; F21S 8/065; F21S
8/066; F21S 8/068
See application file for complete search history.

(56) **References Cited**

U.S. PATENT DOCUMENTS

D24,737 S *	10/1895	Ferguson	D26/81
D38,638 S *	6/1907	Weyer	D26/88
D76,194 S *	8/1928	Knorr	D26/84
D90,017 S *	5/1933	Bush	D26/84
D162,278 S *	3/1951	Ainsworth	D26/78
D220,206 S *	3/1971	Hamburger	D26/75
D304,768 S *	11/1989	Dicola	D26/84
D342,338 S *	12/1993	Thun	D26/88
D436,210 S *	1/2001	Miranda	D26/81
D697,251 S *	1/2014	Baylar	F21S 8/06
				D26/88
D705,475 S *	5/2014	Kitts	D26/81

D713,090 S *	9/2014	Kim	D26/90
D728,141 S *	4/2015	Nicholas	D26/81
D728,145 S *	4/2015	Shiqiang	D26/88

(Continued)

OTHER PUBLICATIONS

CIRQUE Pendant Light. From archetypal.hk visited Apr. 11, 2019.
(Year: 2019).*

Primary Examiner — Clare E Heflin

(74) *Attorney, Agent, or Firm* — Cantor Colburn LLP

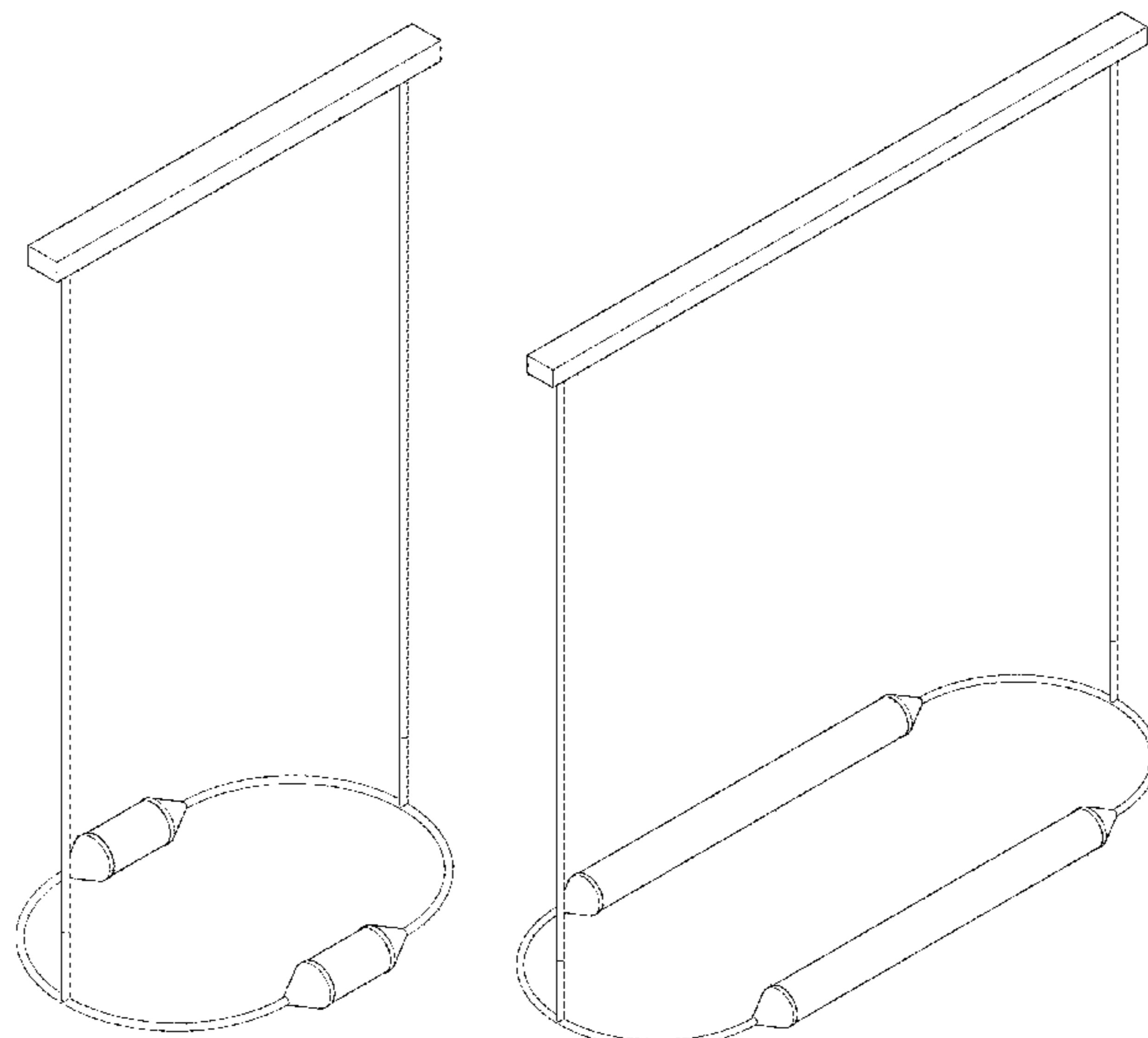
(57) **CLAIM**

We claim, the ornamental design for a lamp, as shown and described.

DESCRIPTION

FIG. 1 is a perspective view of a lamp, showing my new design;
 FIG. 2 is a front elevation view thereof;
 FIG. 3 is a rear elevation view thereof;
 FIG. 4 is a left side elevation view thereof;
 FIG. 5 is a right side elevation view thereof;
 FIG. 6 is a top plan view thereof;
 FIG. 7 is a bottom plan view thereof;
 FIG. 8 is a perspective view of another embodiment thereof;
 FIG. 9 is a front elevation view thereof;
 FIG. 10 is a rear elevation view thereof;
 FIG. 11 is a left side elevation view thereof;
 FIG. 12 is a right side elevation view thereof;
 FIG. 13 is a top plan view thereof;
 FIG. 14 is a bottom plan view thereof;
 FIG. 15 is a perspective view of another embodiment thereof;
 FIG. 16 is a front elevation view thereof;
 FIG. 17 is a rear elevation view thereof;
 FIG. 18 is a left side elevation view thereof;
 FIG. 19 is a right side elevation view thereof;
 FIG. 20 is a top plan view thereof; and,
 FIG. 21 is a bottom plan view thereof.

1 Claim, 18 Drawing Sheets



(56)

References Cited

U.S. PATENT DOCUMENTS

D779,102	S *	2/2017	Garraton	D26/81
D805,238	S *	12/2017	Amato	D26/88
D827,187	S *	8/2018	Silver	D26/90
D827,908	S *	9/2018	Silver	D26/90
2006/0098444	A1 *	5/2006	Petruzzi	F21S 8/06
				362/404
2012/0241579	A1 *	9/2012	Karlsson	F21V 21/096
				248/343

* cited by examiner

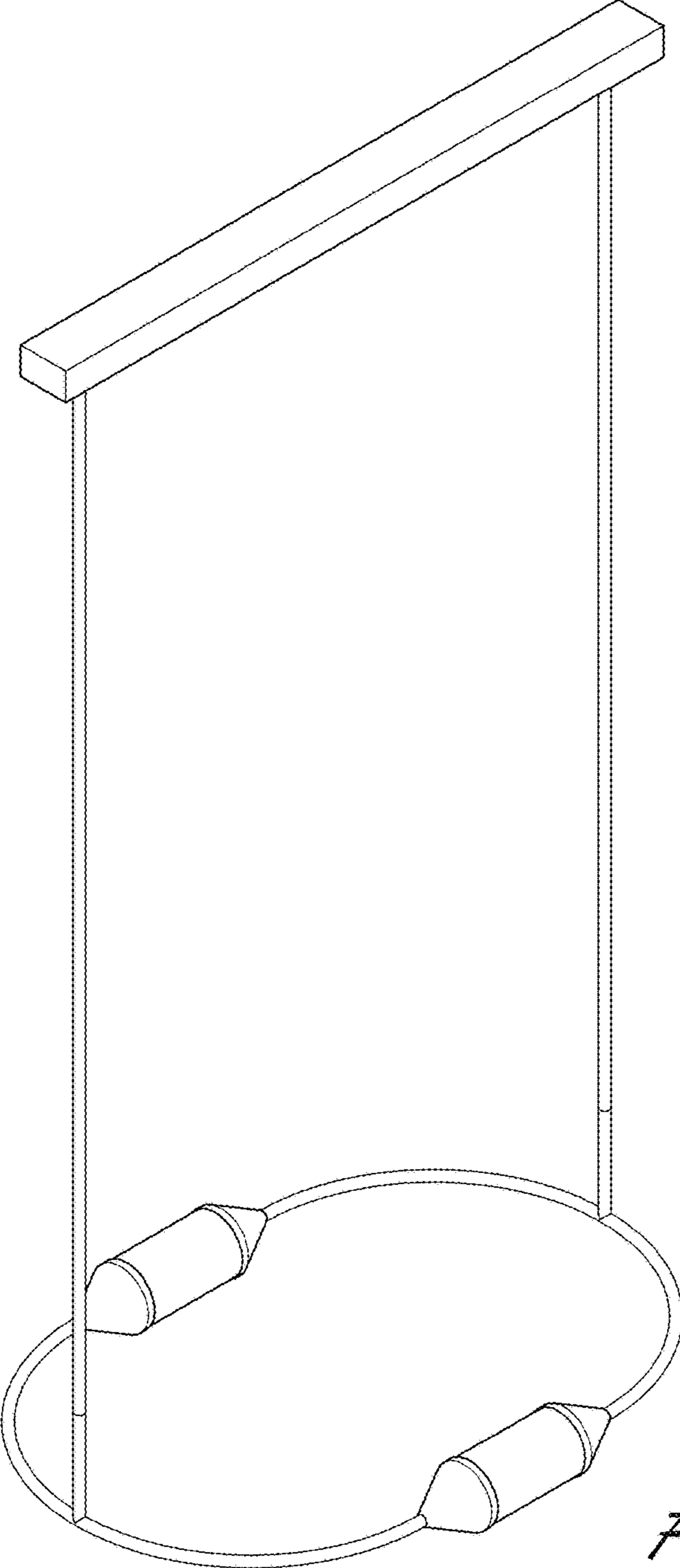


Fig. 1

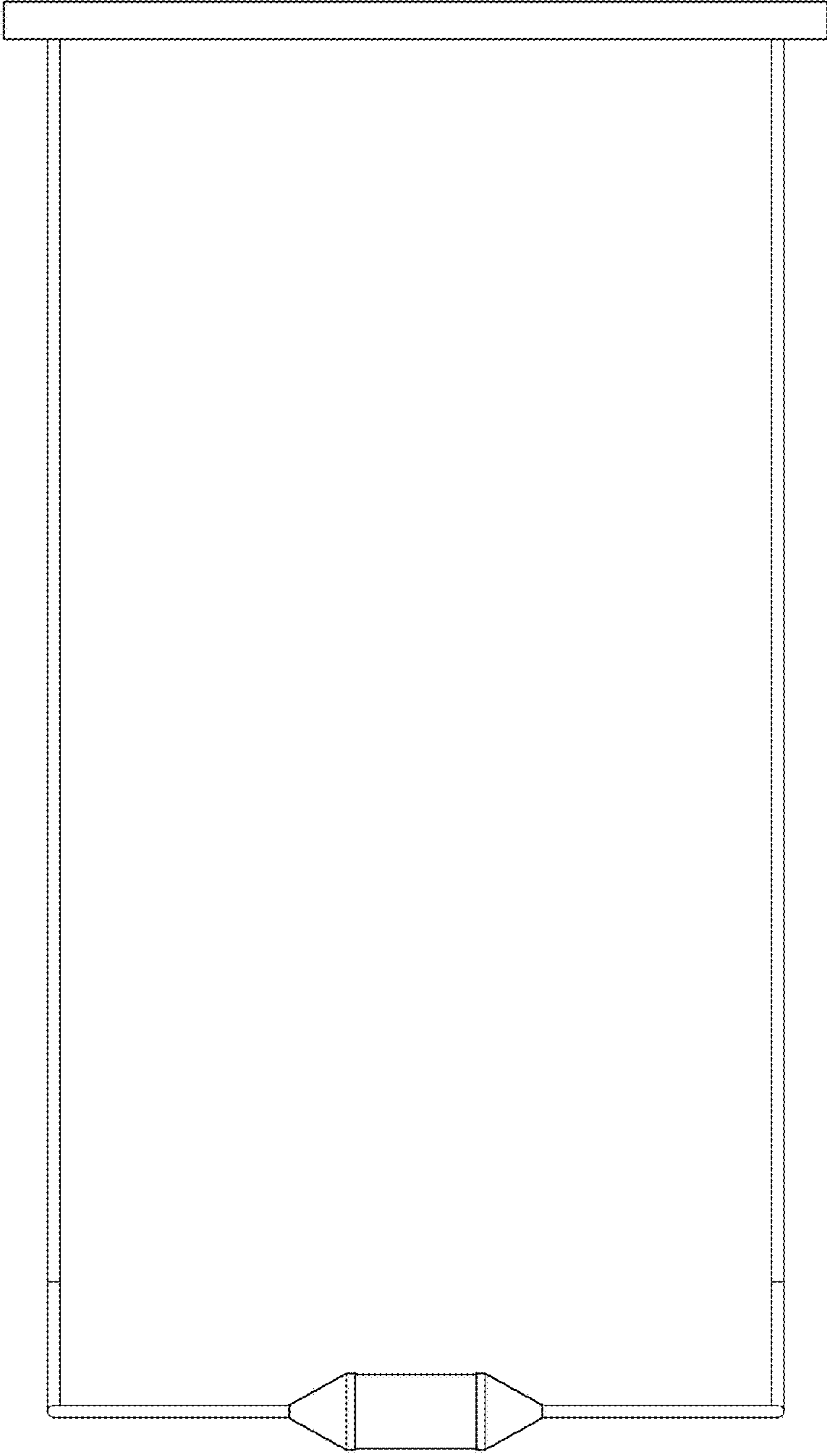


Fig. 2

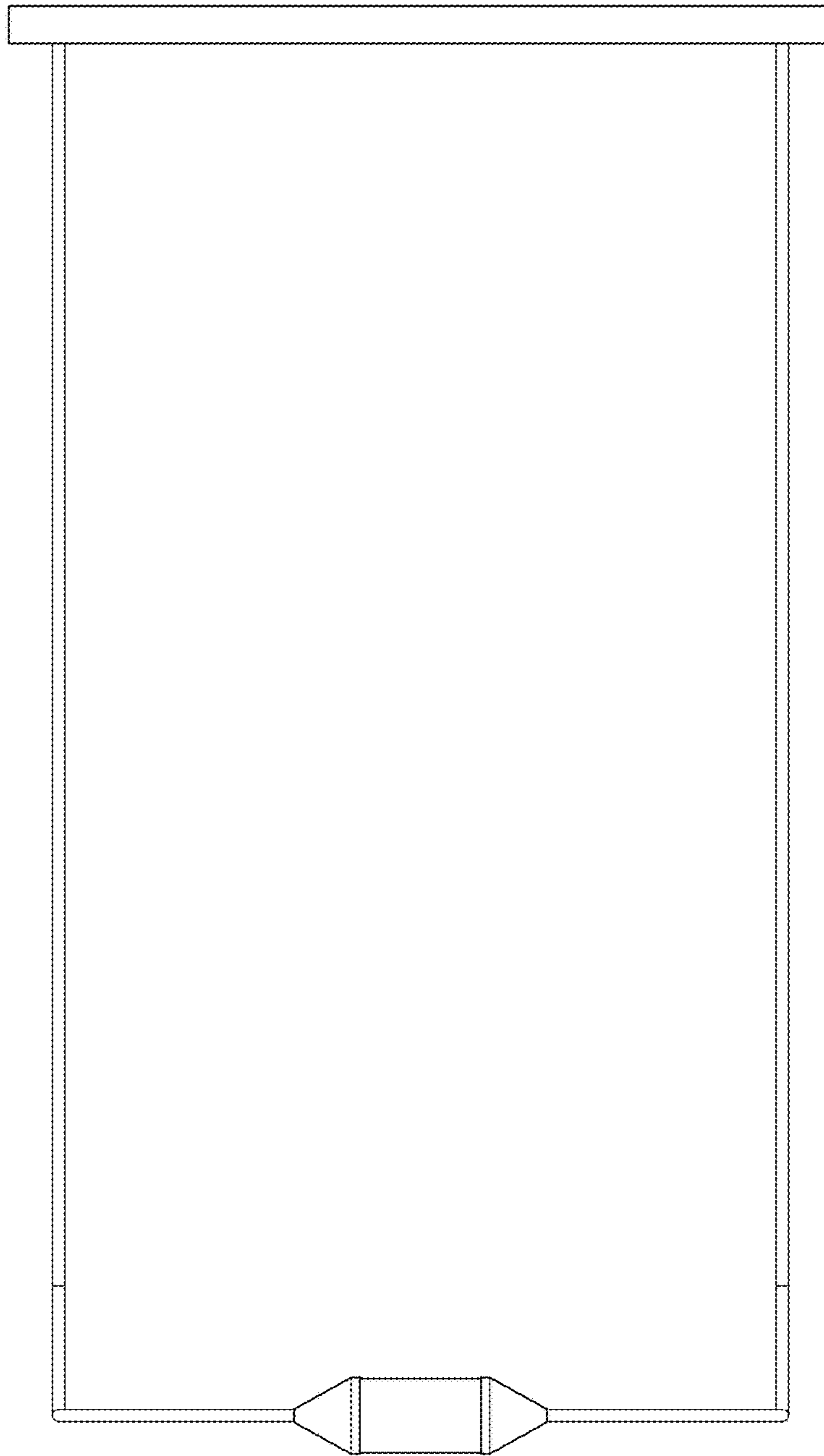


Fig. 3

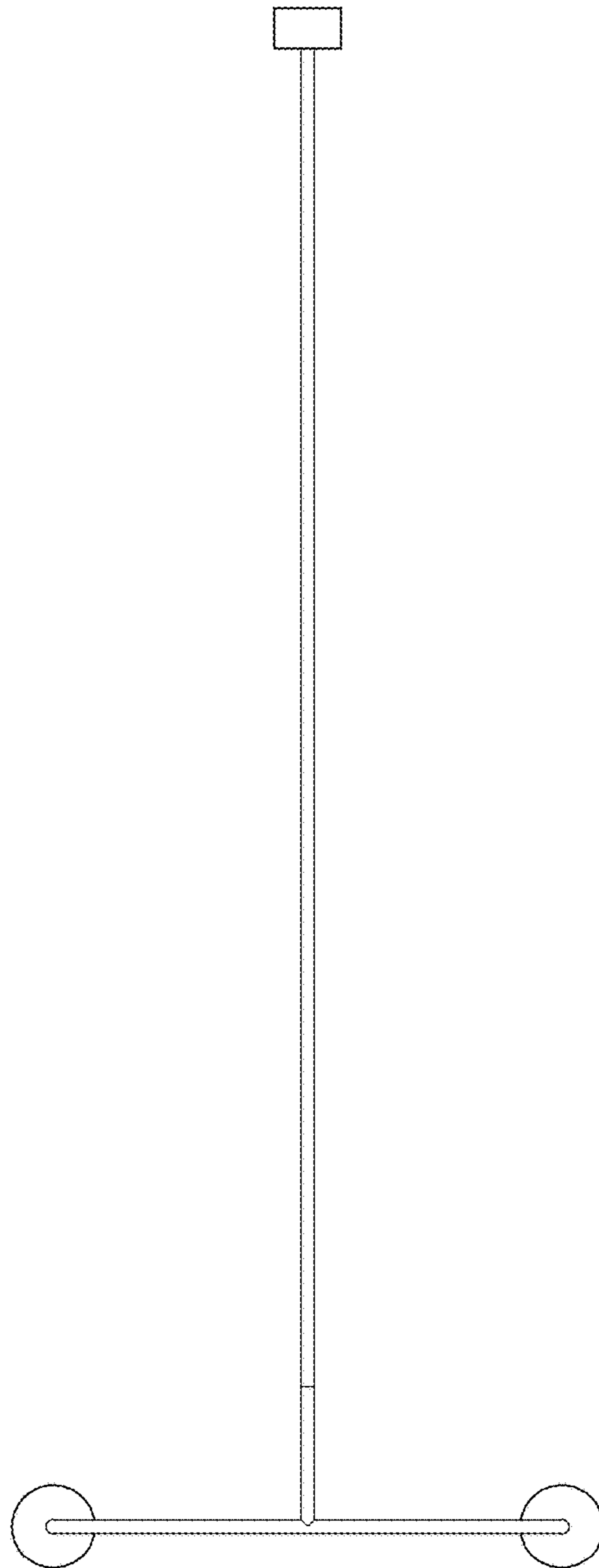


Fig. 4

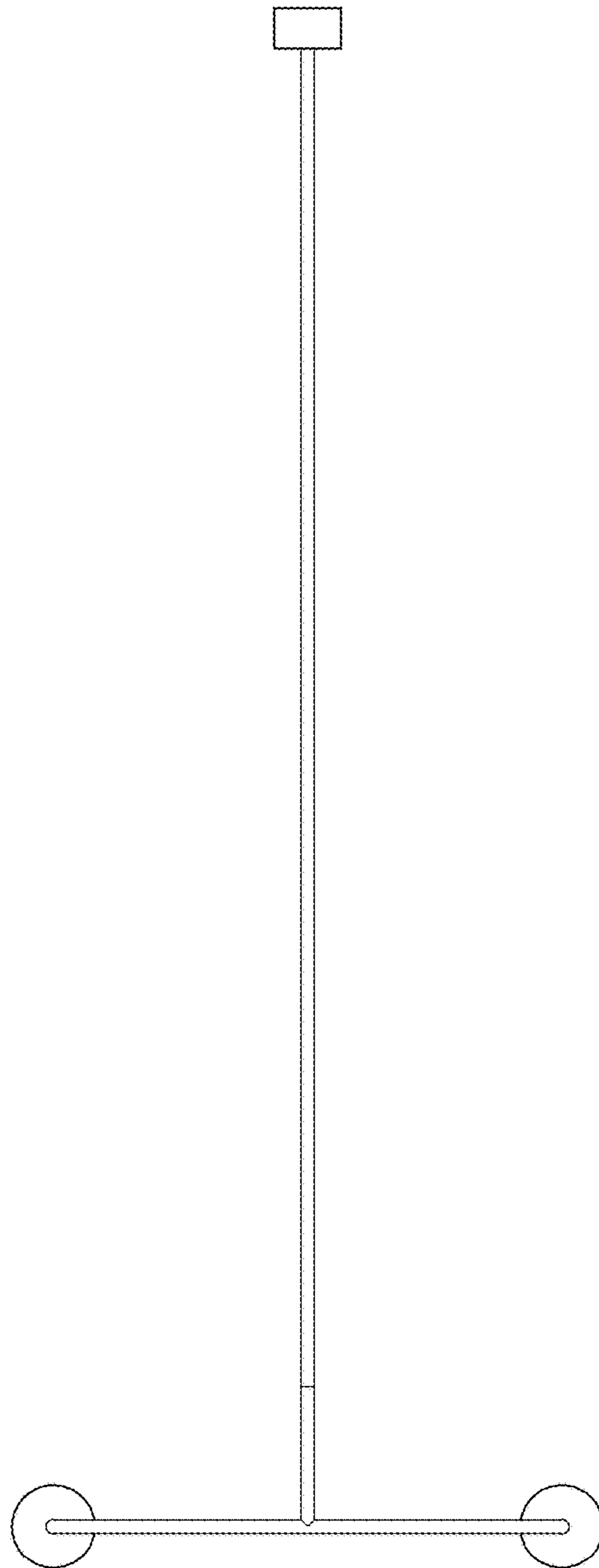


Fig. 5

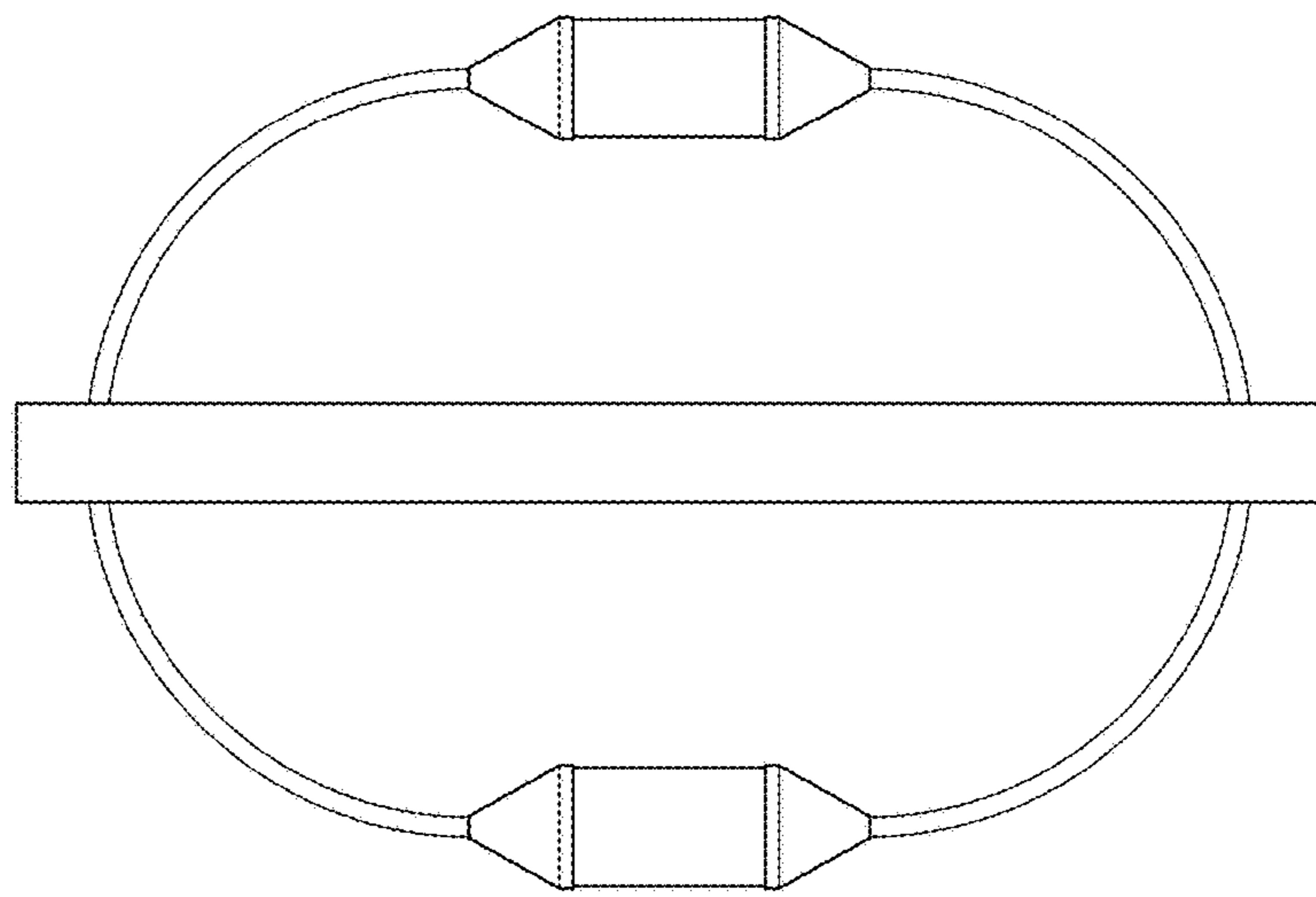


Fig. 6

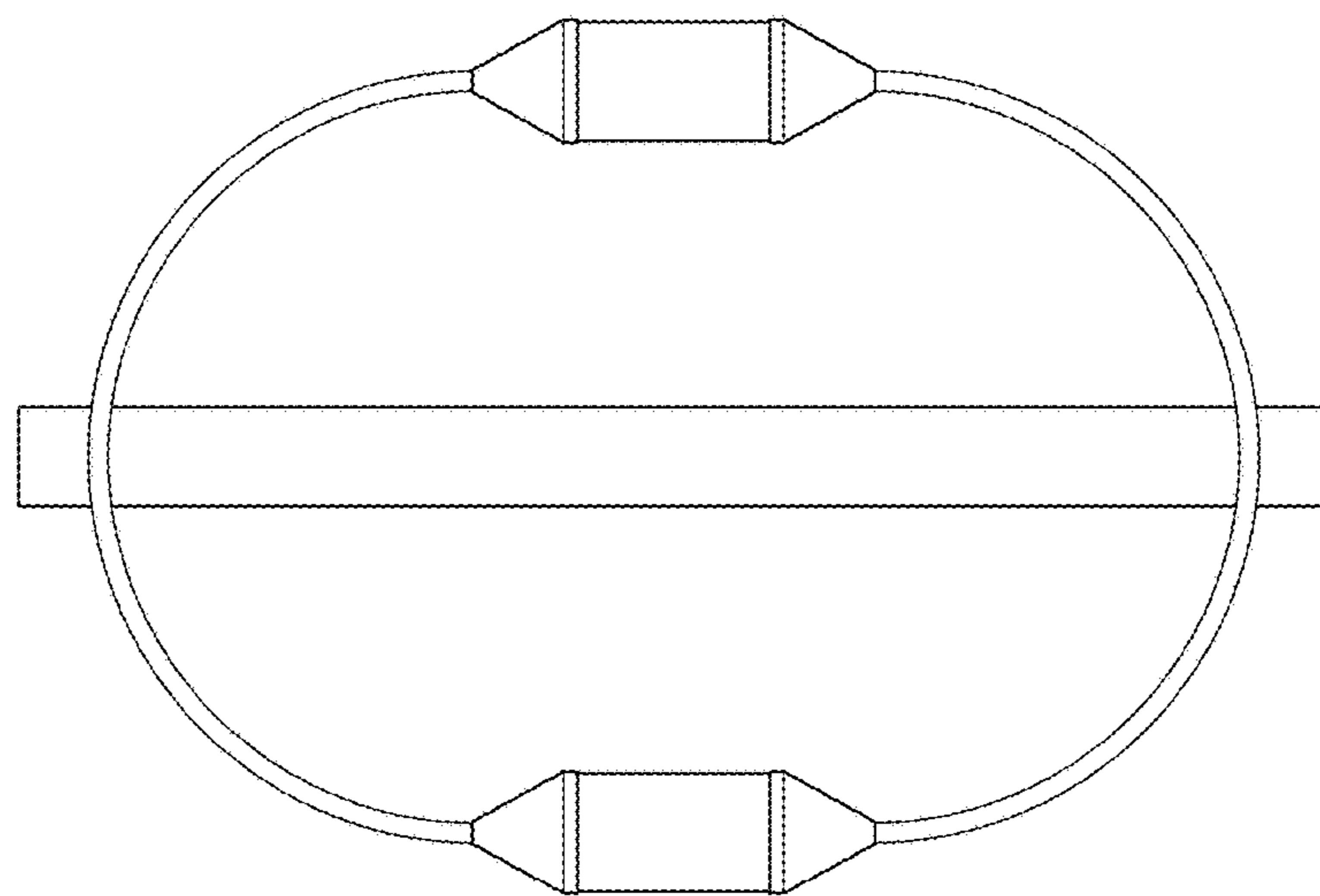


Fig. 7

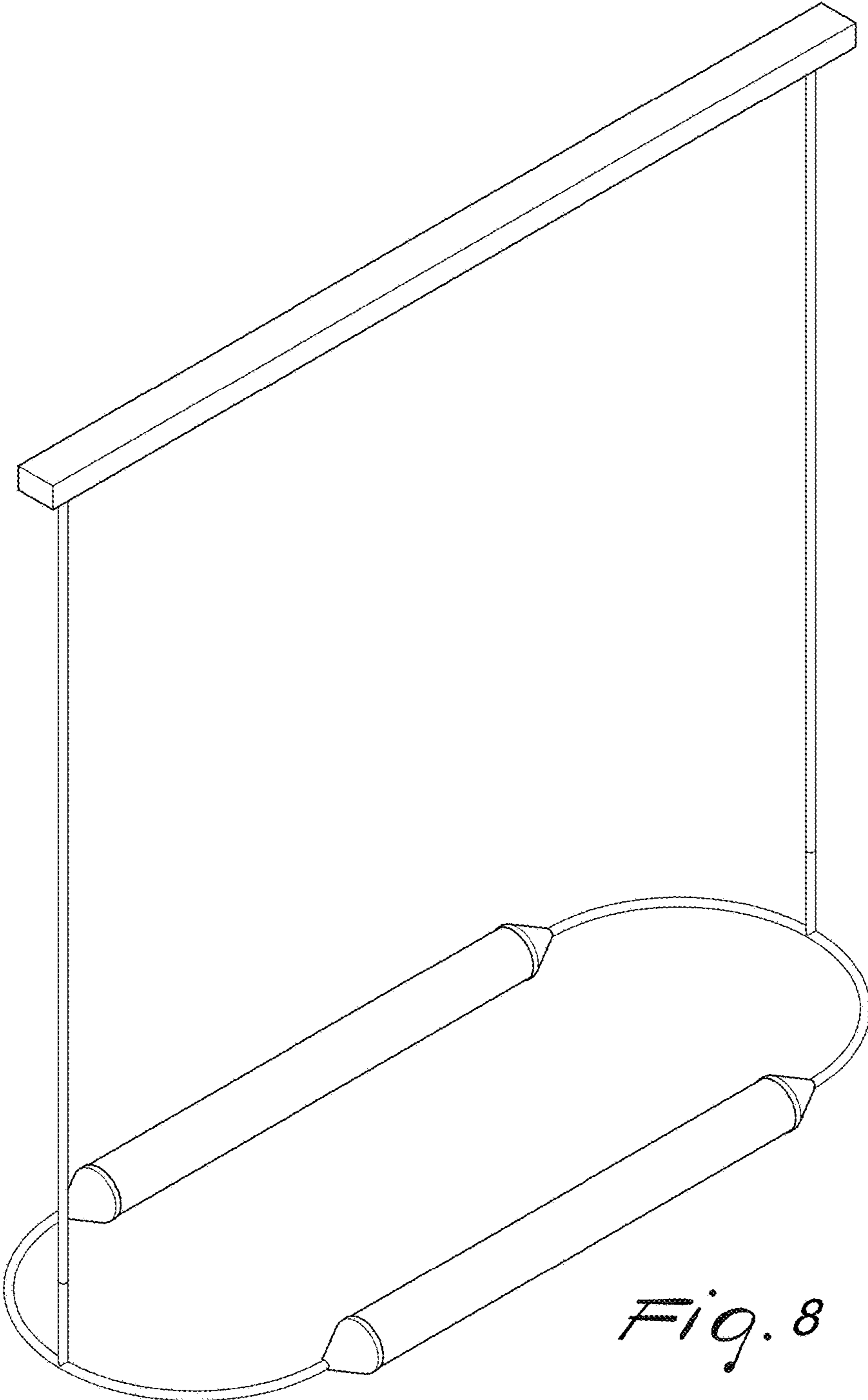


Fig. 8

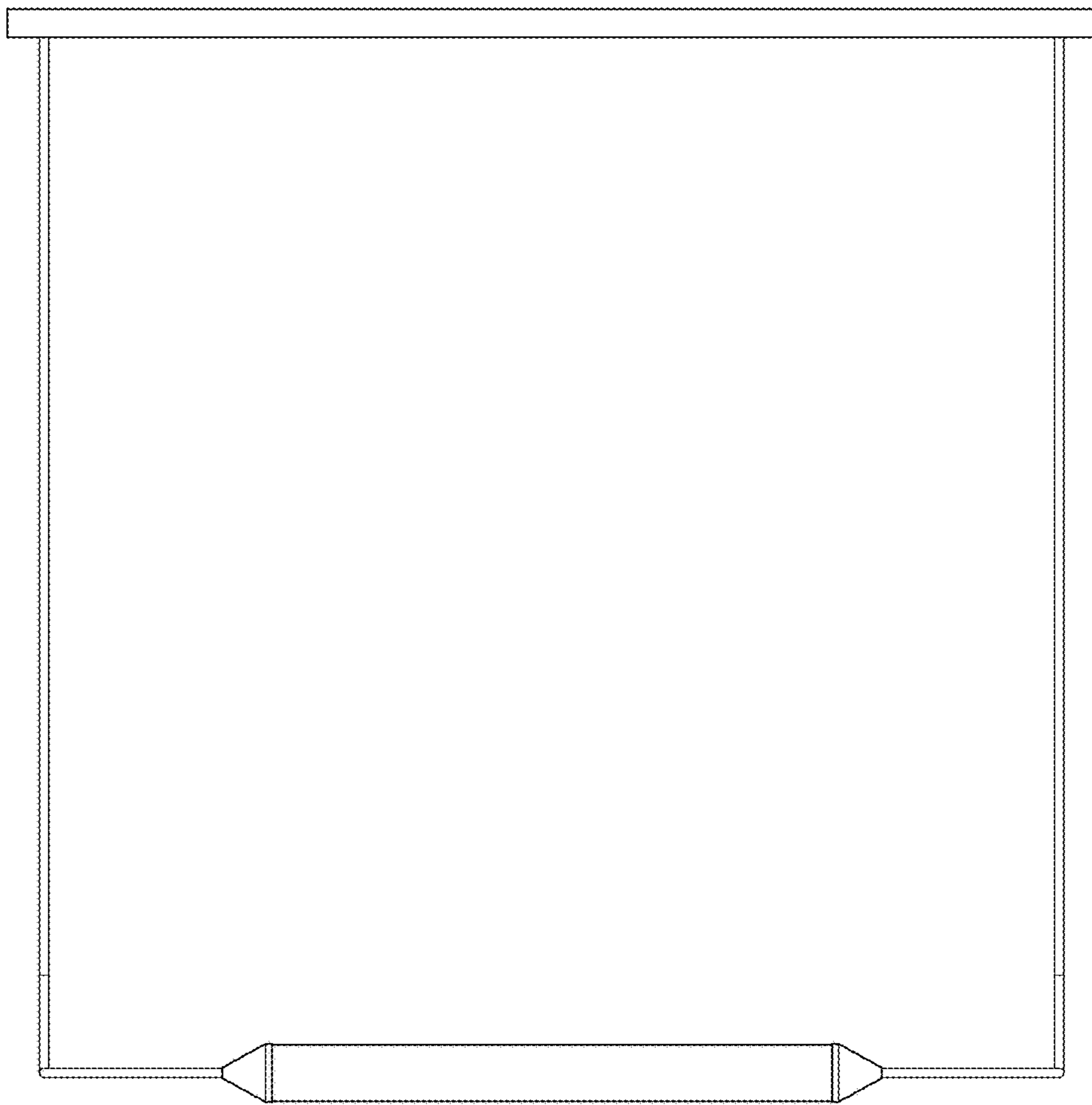


Fig. 9

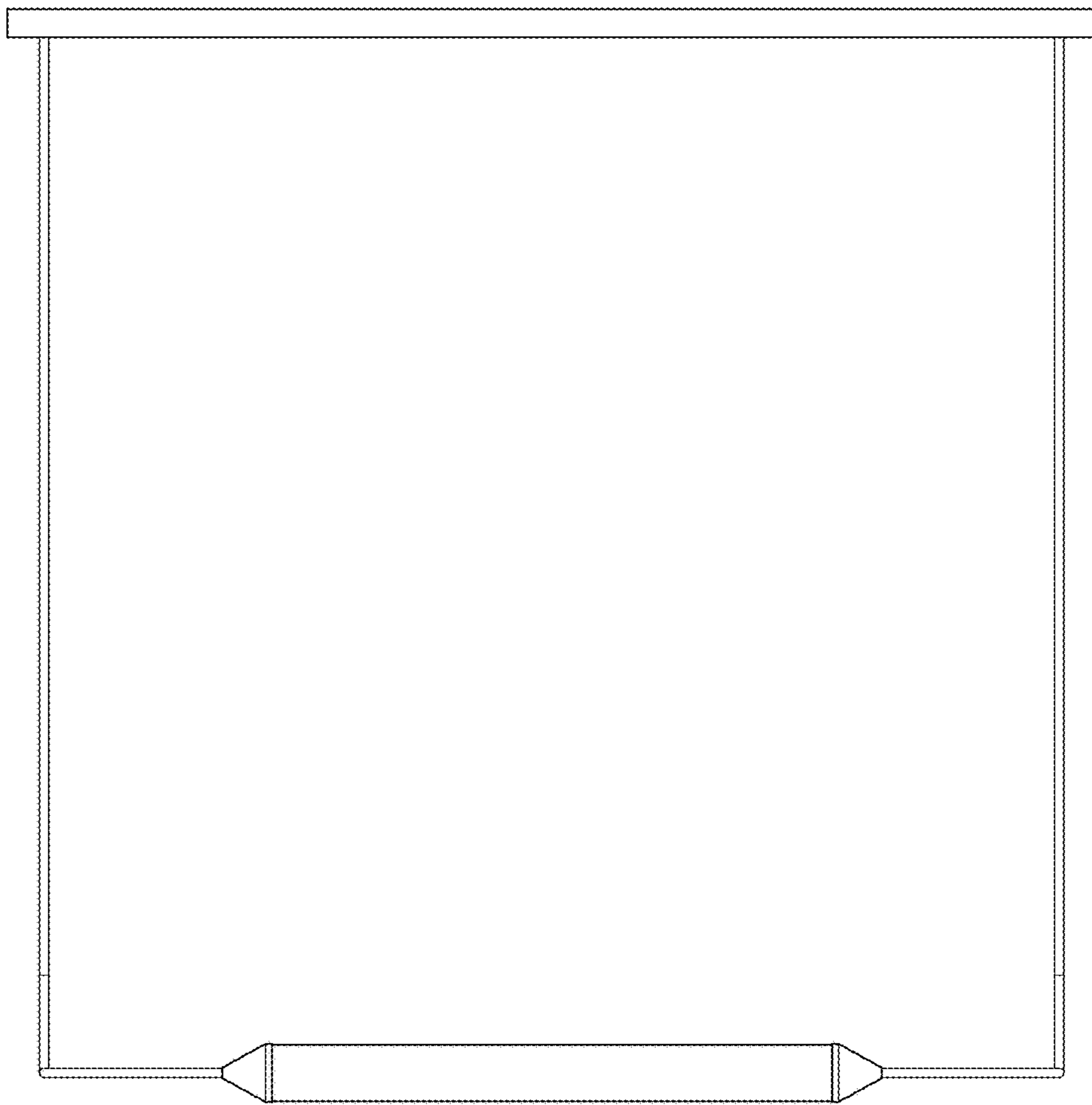


Fig. 10

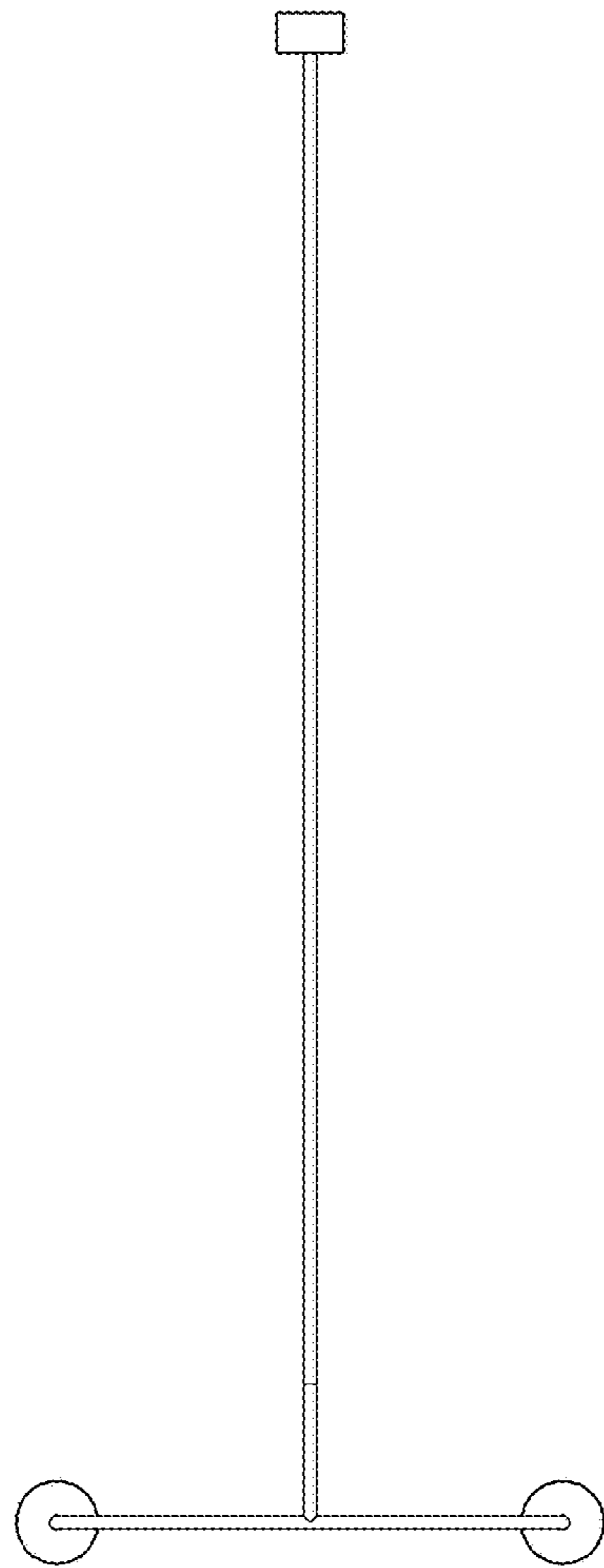


Fig. 11

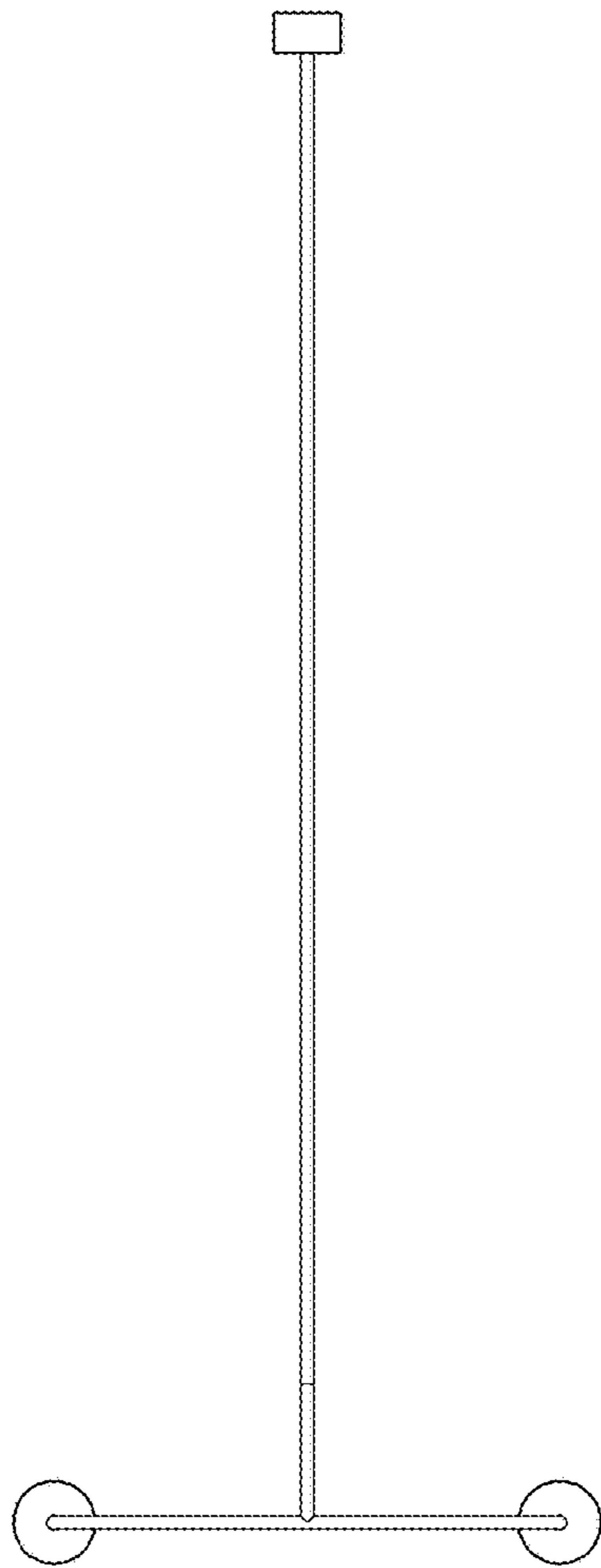


Fig. 12

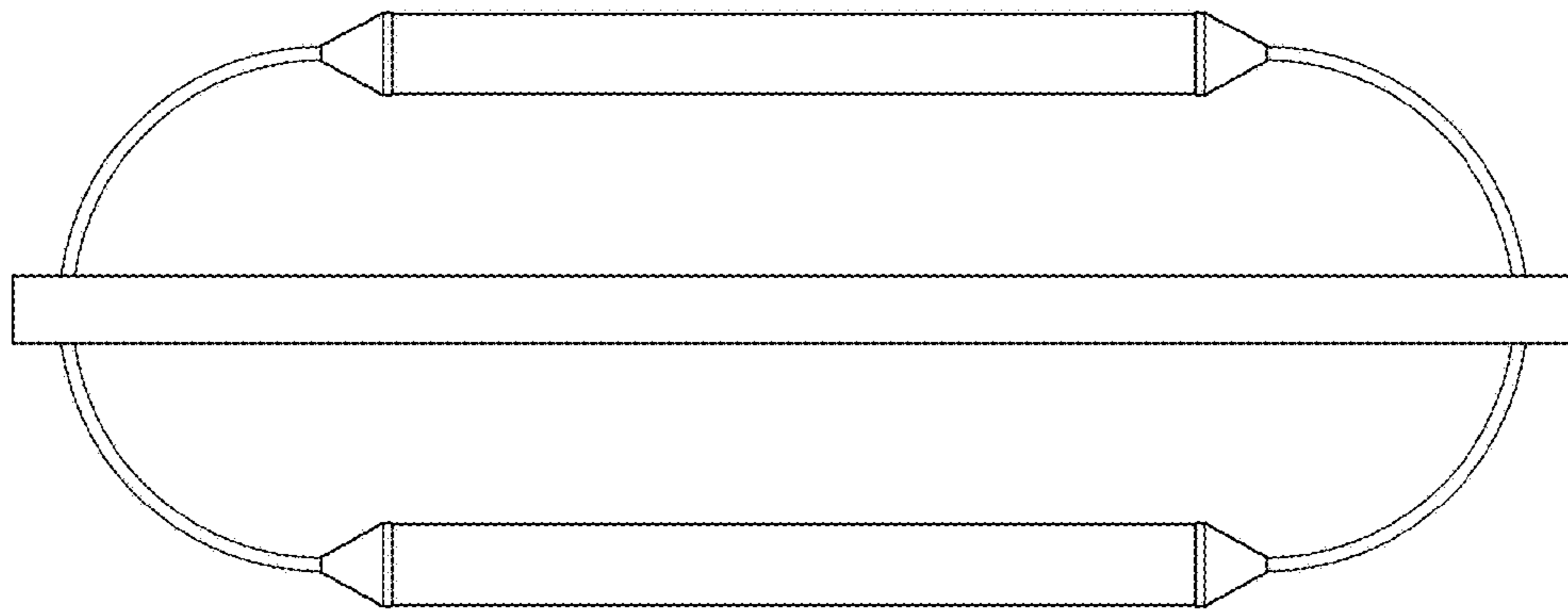


Fig. 13

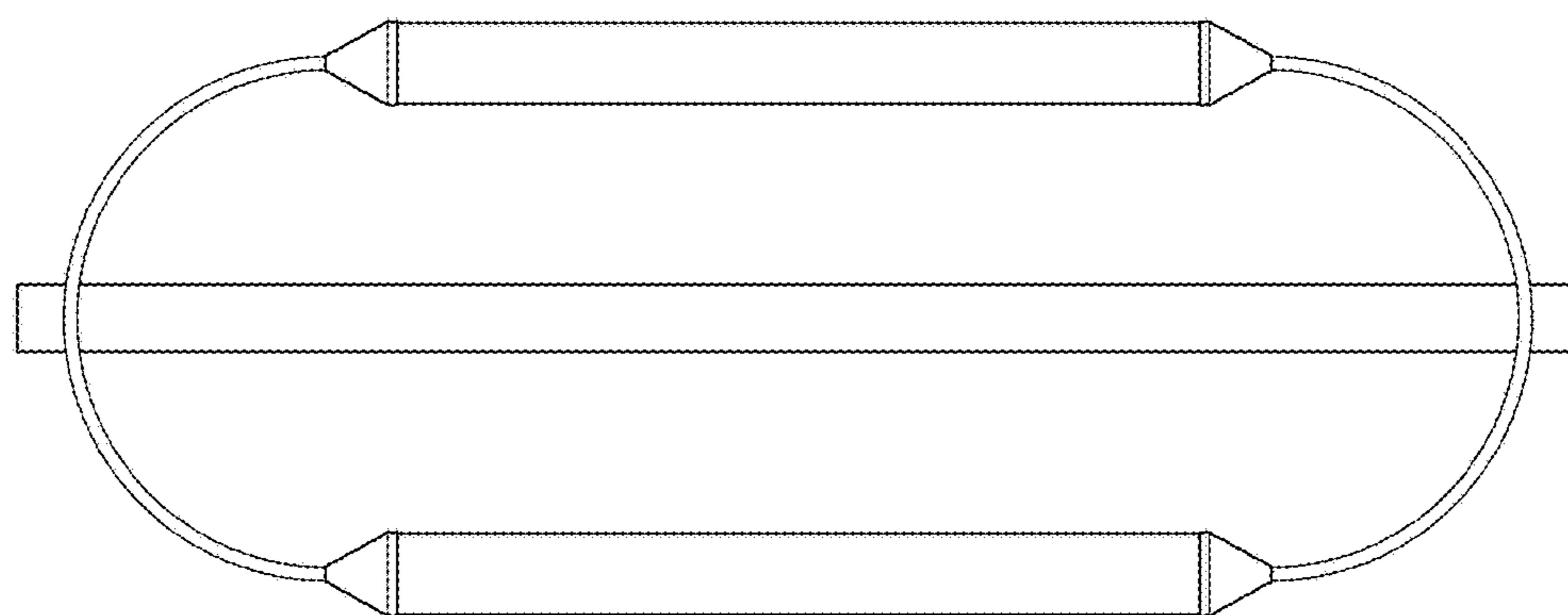


Fig. 14

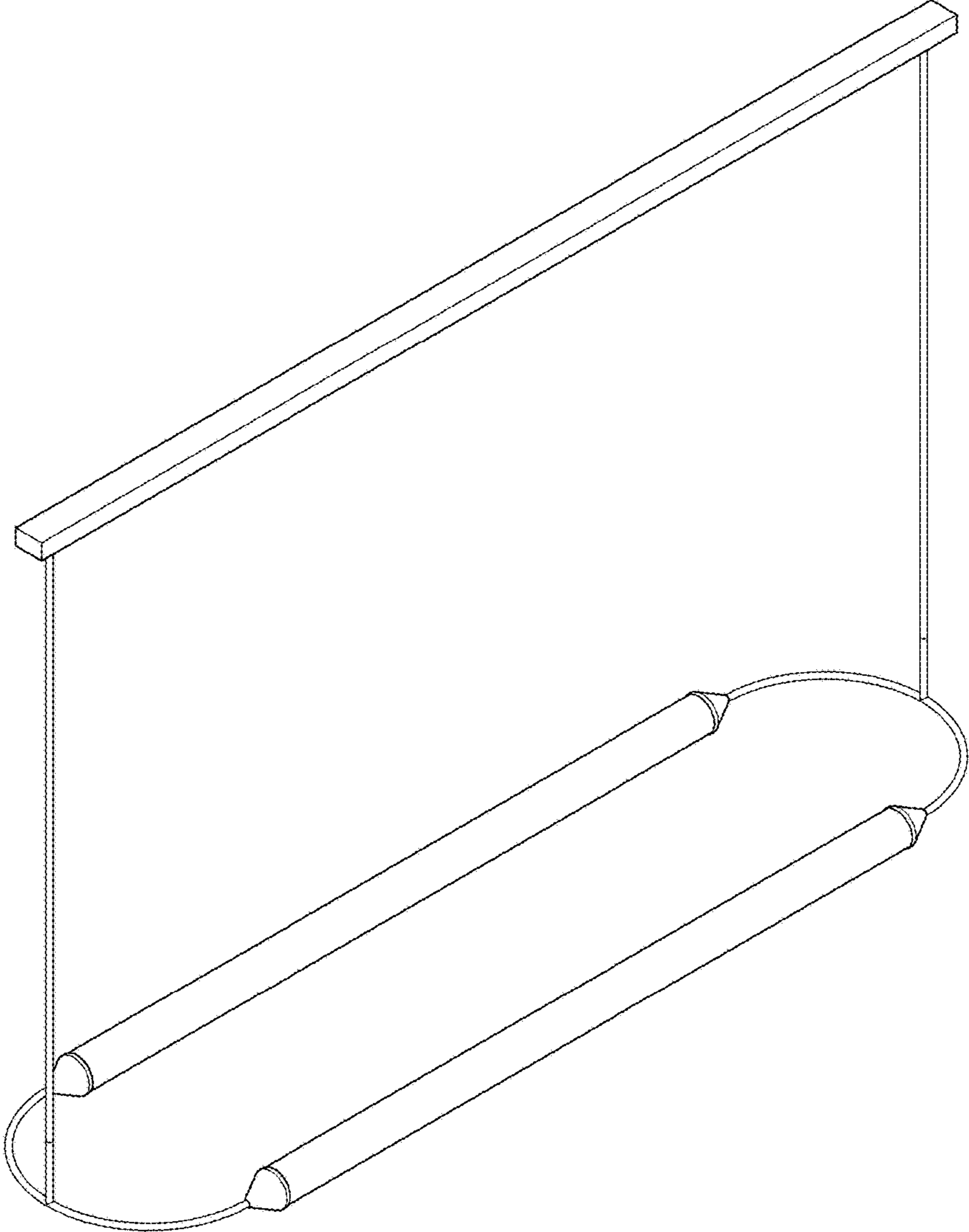


Fig. 15

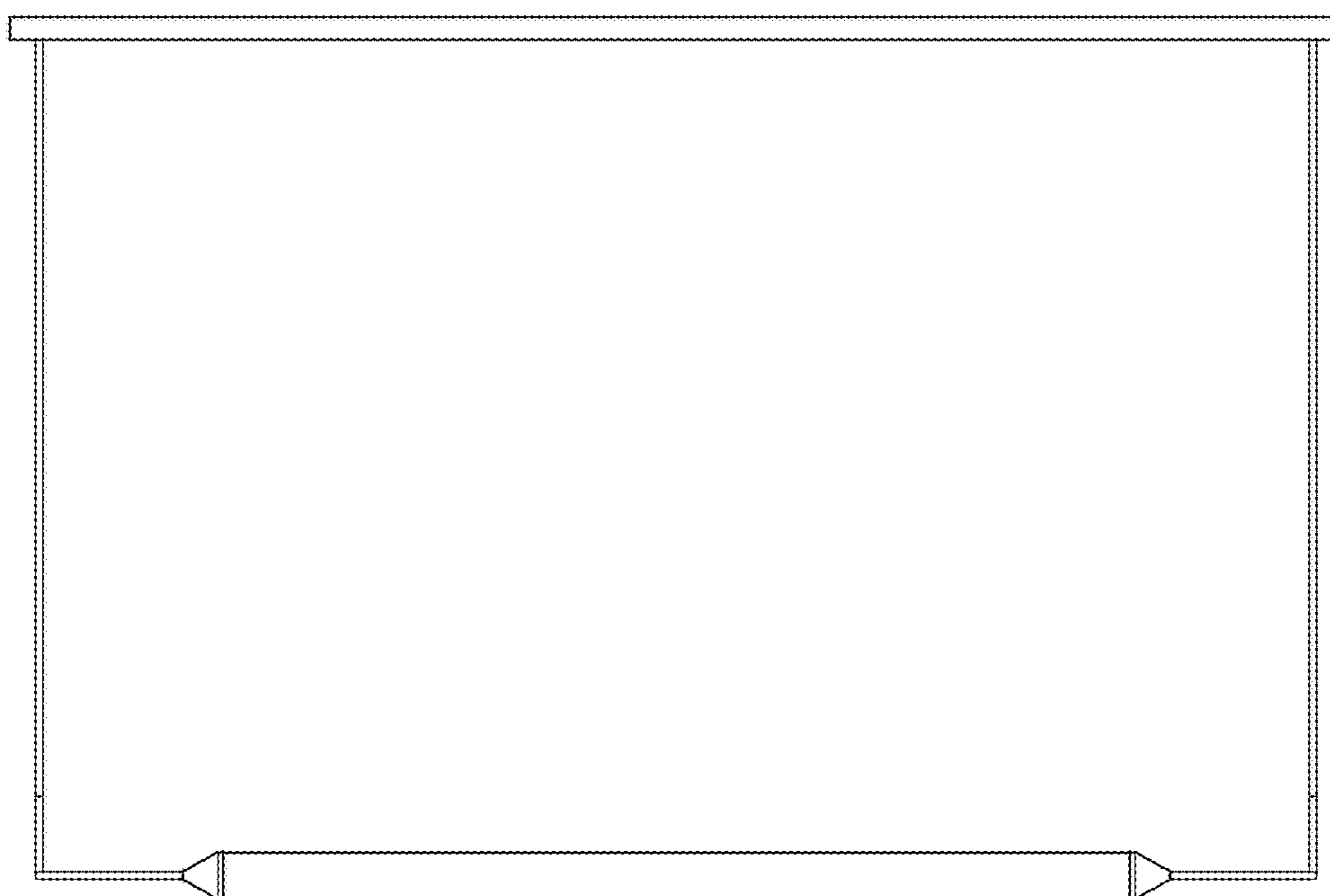


Fig. 16

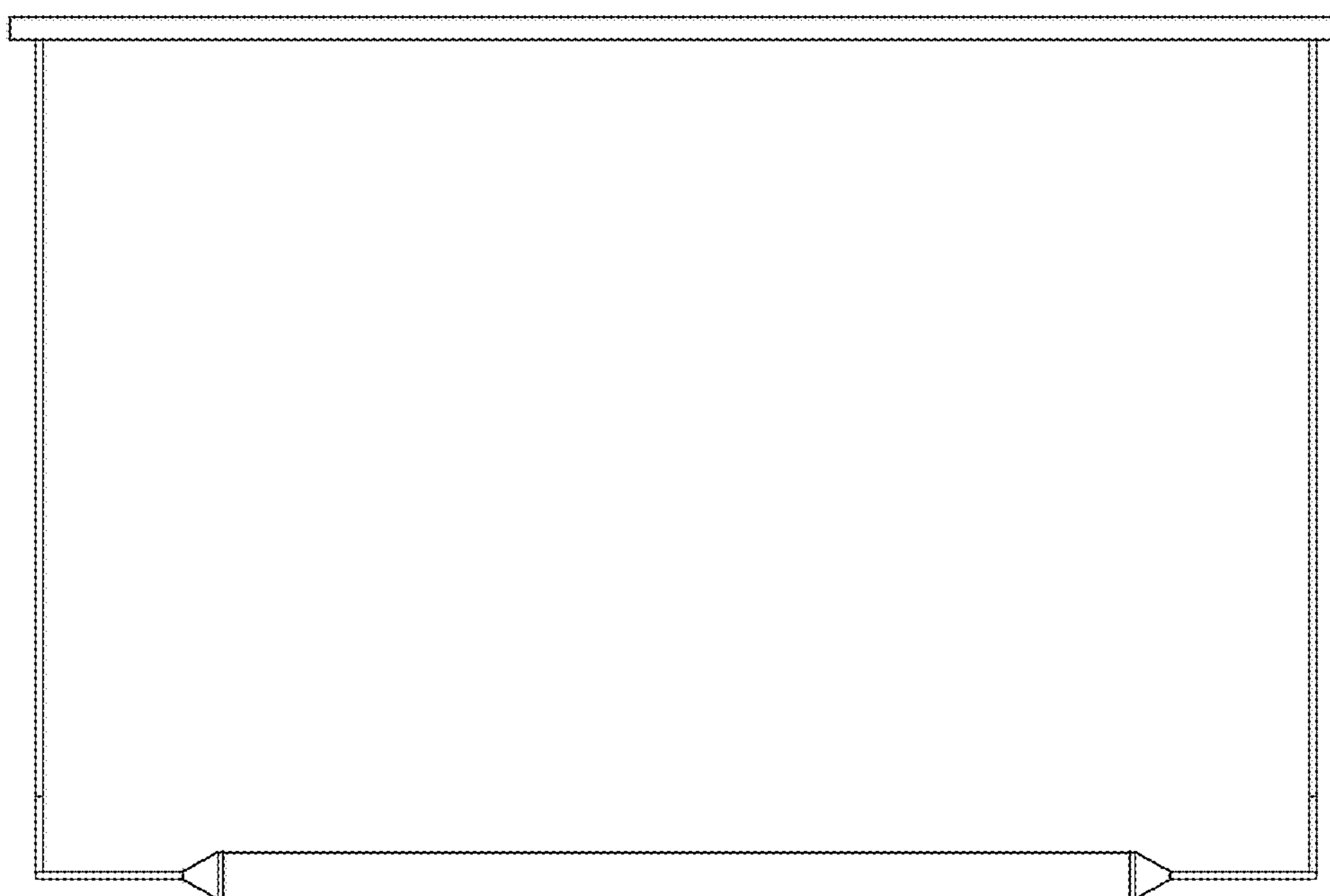


Fig. 17

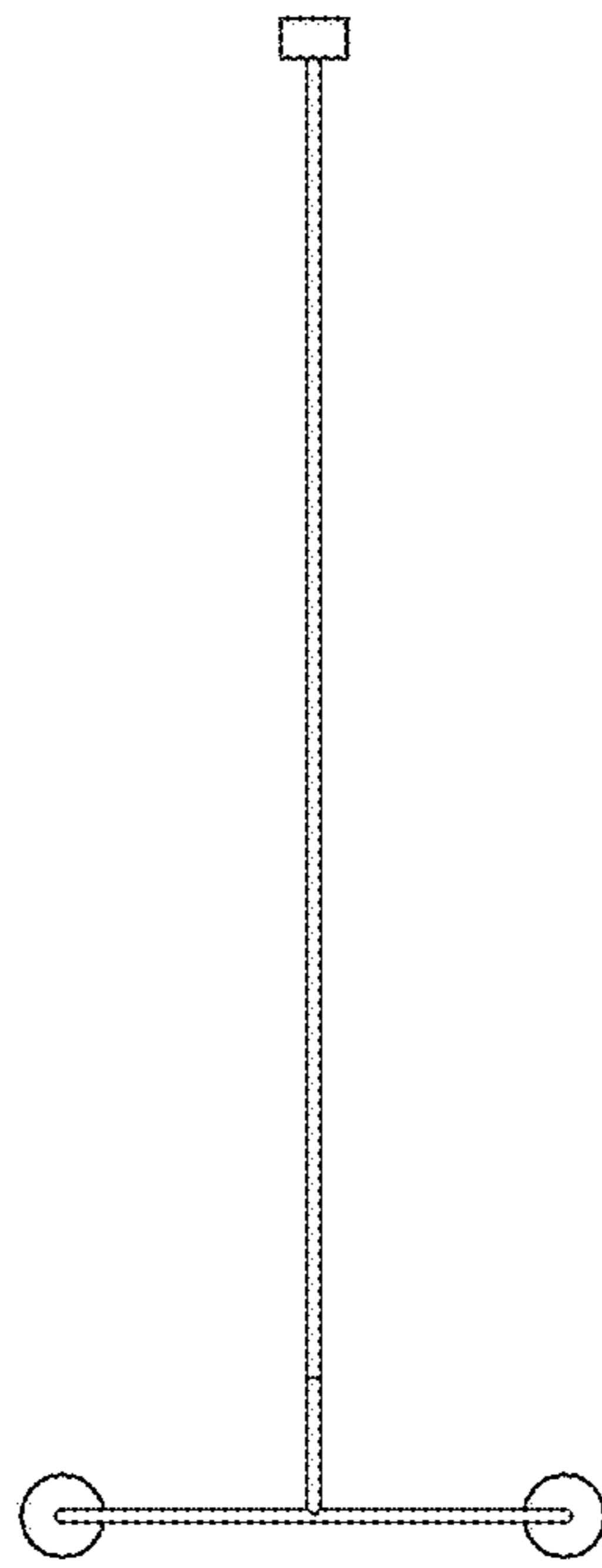


Fig. 18

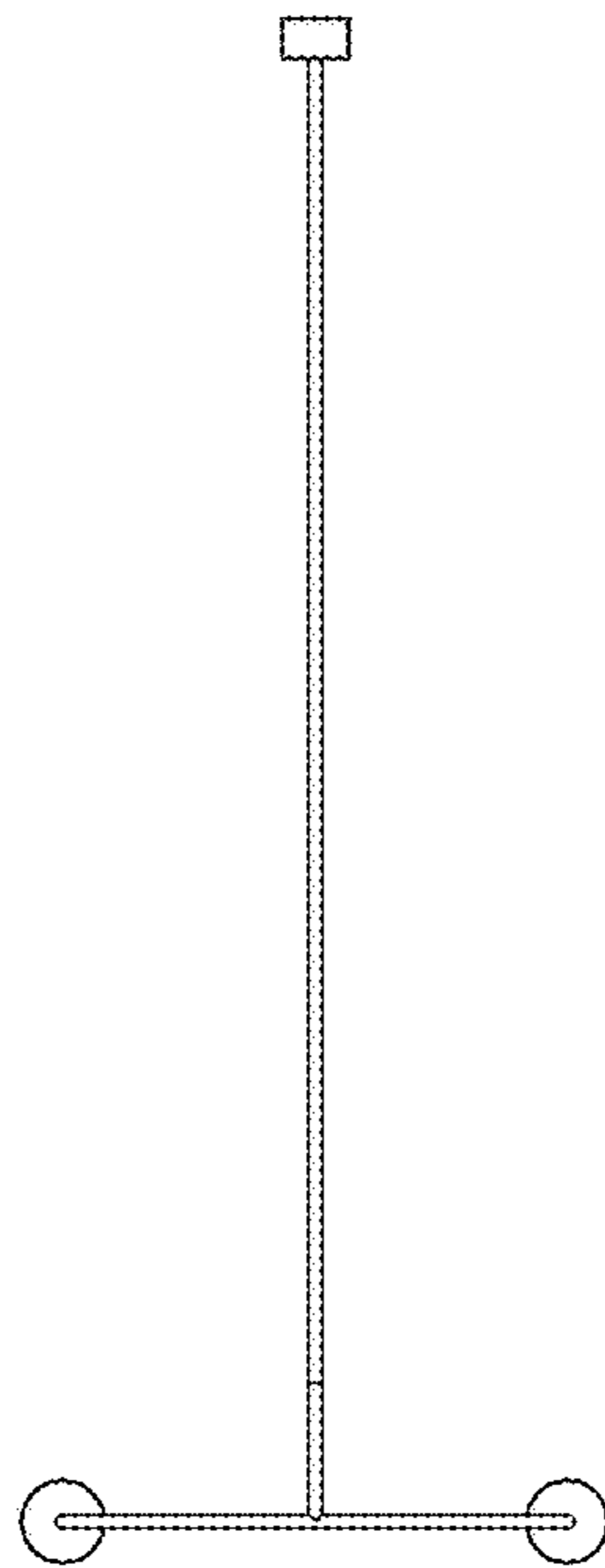


Fig. 19

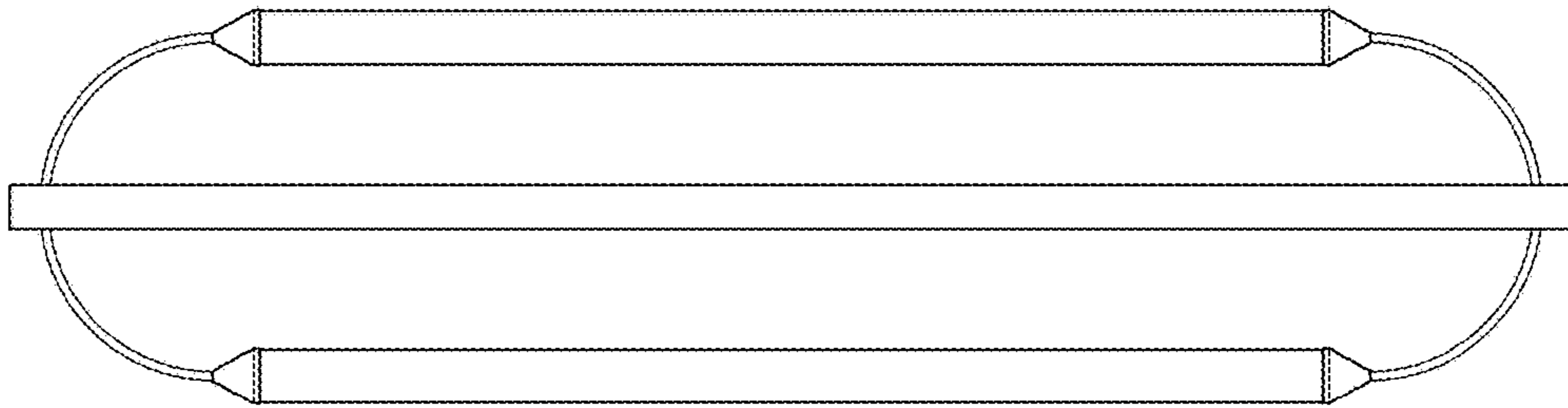


Fig. 20

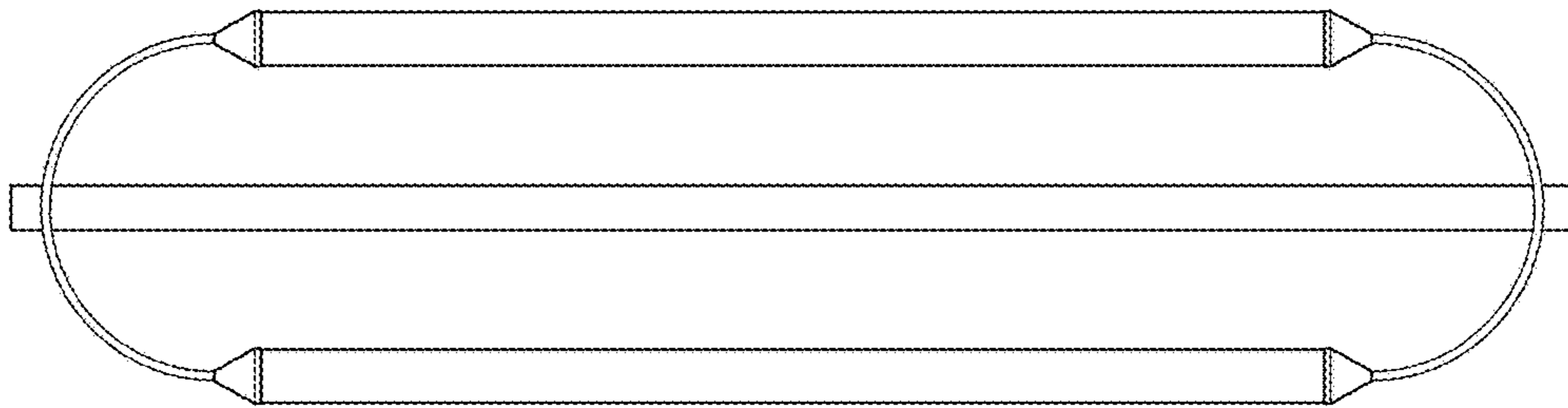


Fig. 21