



(12) **United States Design Patent**
Gregory

(10) **Patent No.:** **US D860,503 S**
(45) **Date of Patent:** **** Sep. 17, 2019**

- (54) **LIGHT**
- (71) Applicant: **Weston Gregory**, Tacoma, WA (US)
- (72) Inventor: **Weston Gregory**, Tacoma, WA (US)
- (**) Term: **15 Years**
- (21) Appl. No.: **29/635,748**
- (22) Filed: **Feb. 2, 2018**
- (51) **LOC (12) Cl.** **26-03**
- (52) **U.S. Cl.**
USPC **D26/80; D26/72**
- (58) **Field of Classification Search**
USPC D26/72, 80, 85, 89, 118
CPC F21S 8/03; F21S 8/031; F21S 8/04; F21S 8/043; F21S 8/06; F21S 8/061; F21S 8/063; A01G 7/045; F21V 29/83; F21V 29/677; F21V 29/67
See application file for complete search history.

(56) **References Cited**
U.S. PATENT DOCUMENTS

4,358,817	A *	11/1982	Bielemeier	F21V 21/16	362/220
D576,333	S *	9/2008	Benensohn	D26/72	
D637,752	S *	5/2011	Mekhtarian	D26/72	
8,333,487	B2 *	12/2012	Mekhtarian	A01G 7/045	362/249.02
D838,032	S *	1/2019	Drew	D26/118	
D838,399	S *	1/2019	Wei	D26/80	
2012/0104977	A1 *	5/2012	McKenzie	A01G 7/045	315/312
2013/0208452	A1 *	8/2013	Maxwell	F21V 33/004	362/101
2015/0029716	A1 *	1/2015	Reynolds	F21S 2/00	362/235
2015/0198321	A1 *	7/2015	Druchinin	H05B 33/0803	362/235
2016/0100536	A1 *	4/2016	Wu	A01G 31/06	47/64

2016/0278304	A1 *	9/2016	Elsegood	A01G 22/00	
2016/0379853	A1 *	12/2016	Schaller	H01L 21/67115	361/234
2019/0075735	A1 *	3/2019	Ma	A01G 9/023	

OTHER PUBLICATIONS

2-pack OPTIK 4 GEN3 COB LED Grow Lights 405W , from opticaldgrowlights.com visited Mar. 8, 2019 (Year: 2019).*

Philzon COB Series 2000W LED Plant Grow Light ASIN: BO7MZ1QHKC, first available at amazon.com Jan. 21, 2019. (Year: 2019).*

Upgrade LED Growlight 1800W Morsen Full-Spectrum Growing Lamp from amazon.com, visited Apr. 9, 2019. (Year: 2019).*

Screenshot from youtube video: "Optic LED Optic 8+ COB LED Review-CREE CXB 3590—Yield up to 2.5 Pounds!" posted by OPTIC LED Grow Lights on Oct. 21, 2017. (Year: 2017).*

* cited by examiner

Primary Examiner — Clare E Heflin
(74) *Attorney, Agent, or Firm* — John M. Janeway;
Janeway Patent Law PLLC

(57) **CLAIM**

The ornamental design for a light, as shown and described.

DESCRIPTION

FIG. 1 is a perspective view of a light according to the invention.

FIG. 2 is a front, elevation view of the light

FIG. 3 is a rear, elevation view of the light.

FIG. 4 is a left side, elevation view of the light.

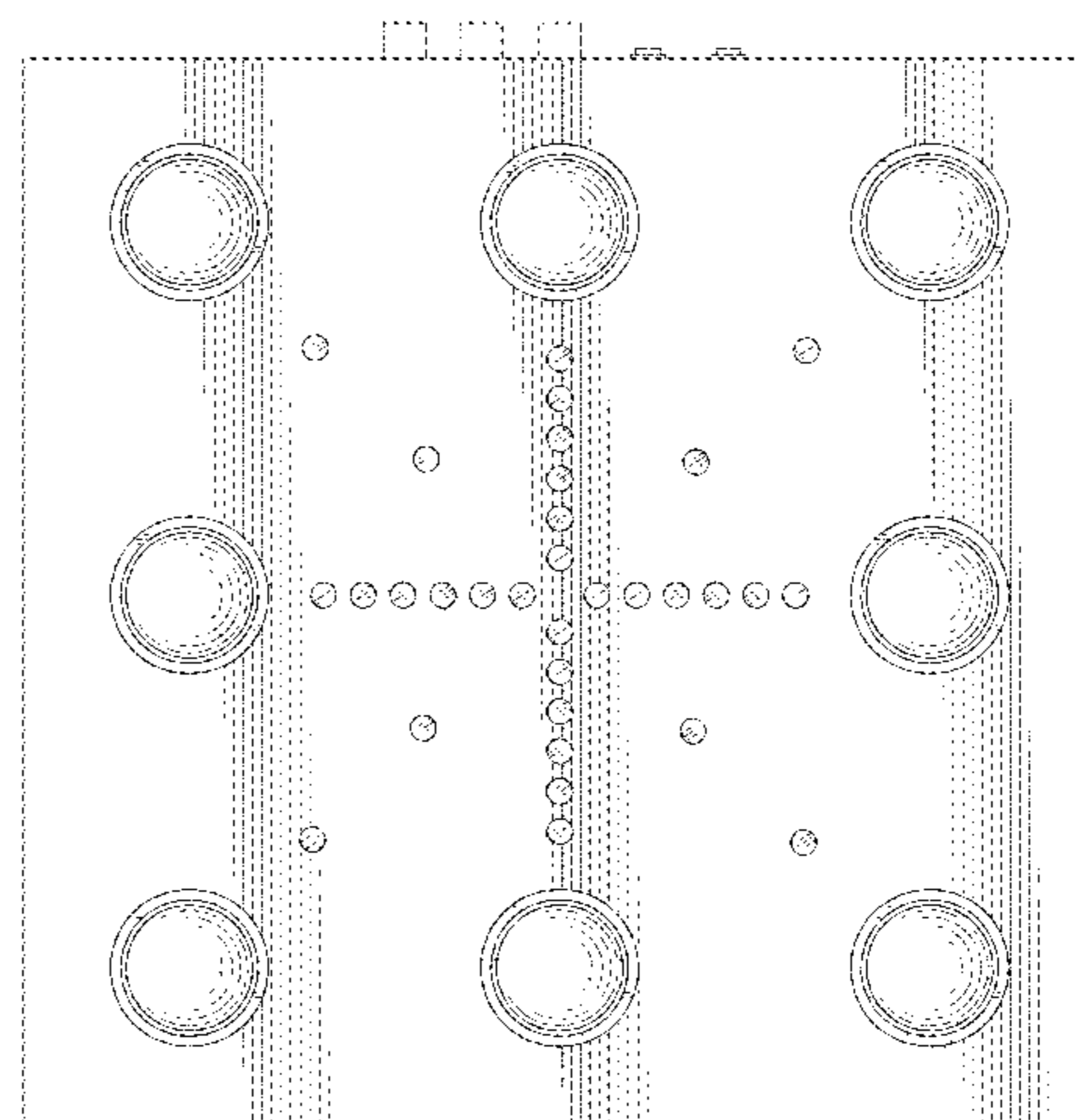
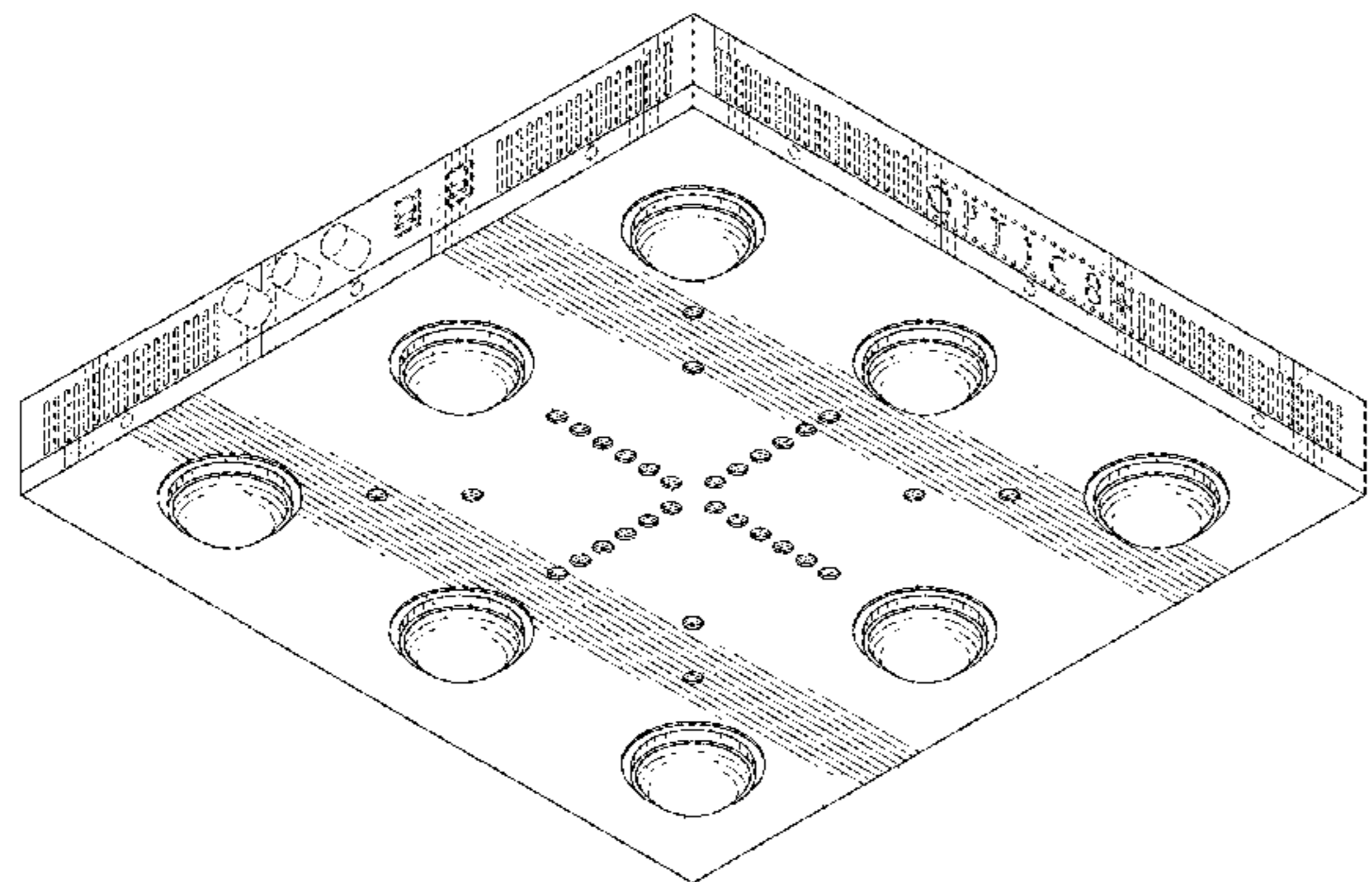
FIG. 5 is a right side, elevation view of the light.

FIG. 6 is a top, plan view of the light; and,

FIG. 7 is a bottom, plan view of the light.

The broken lines in FIGS. 1, 2, 3, 4, 5, 6 and 7 showing other structure of the light do not form a part of the claimed design.

1 Claim, 4 Drawing Sheets



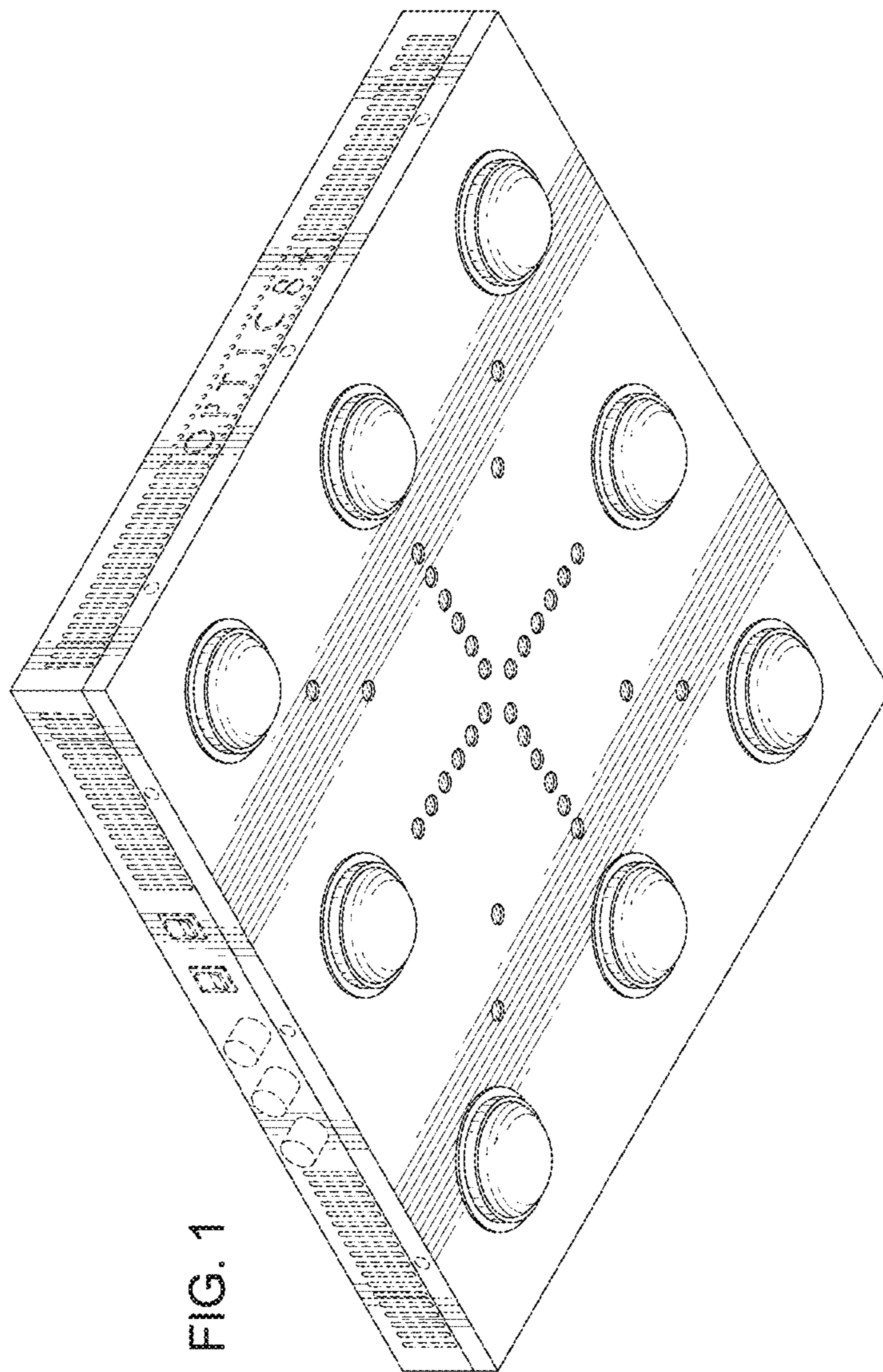


FIG. 2

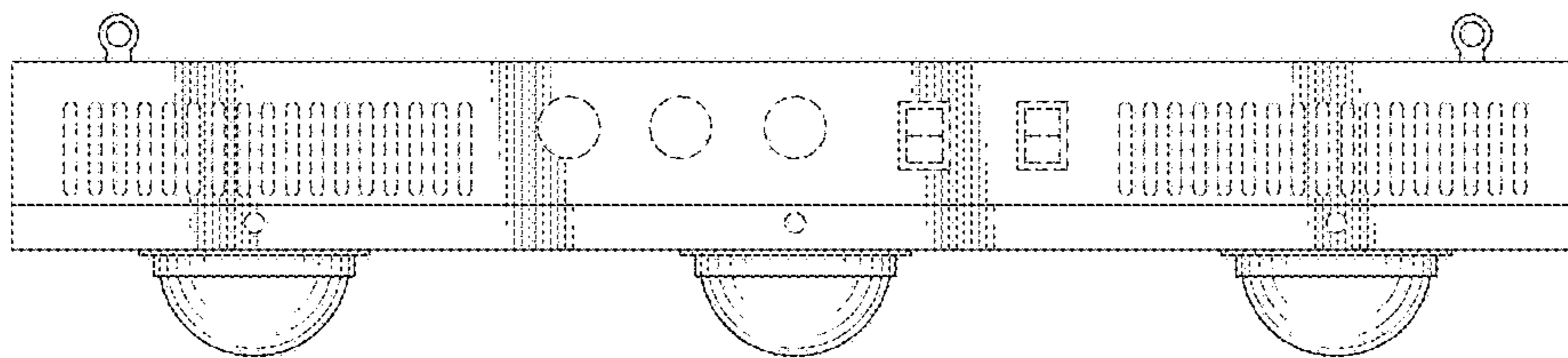


FIG. 3

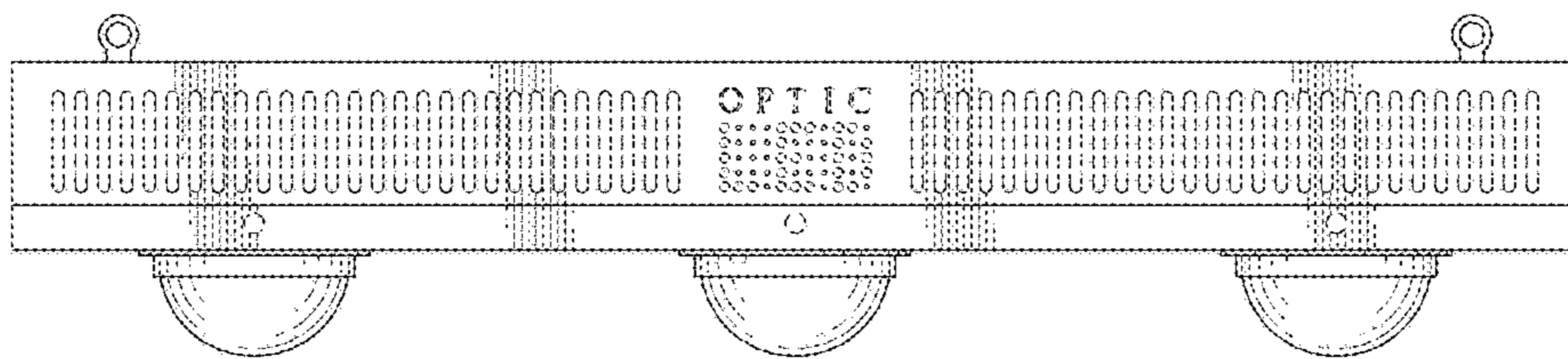


FIG. 4

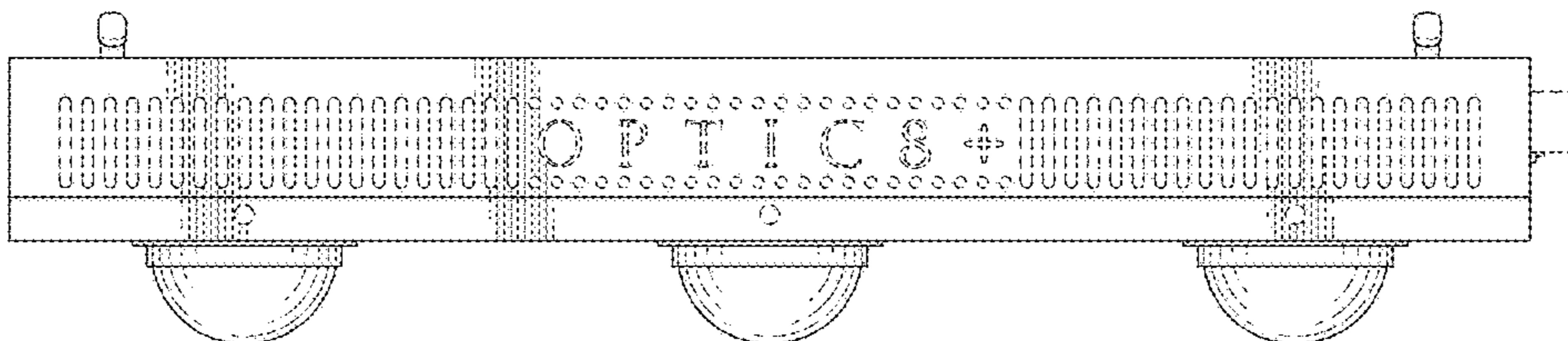


FIG. 5

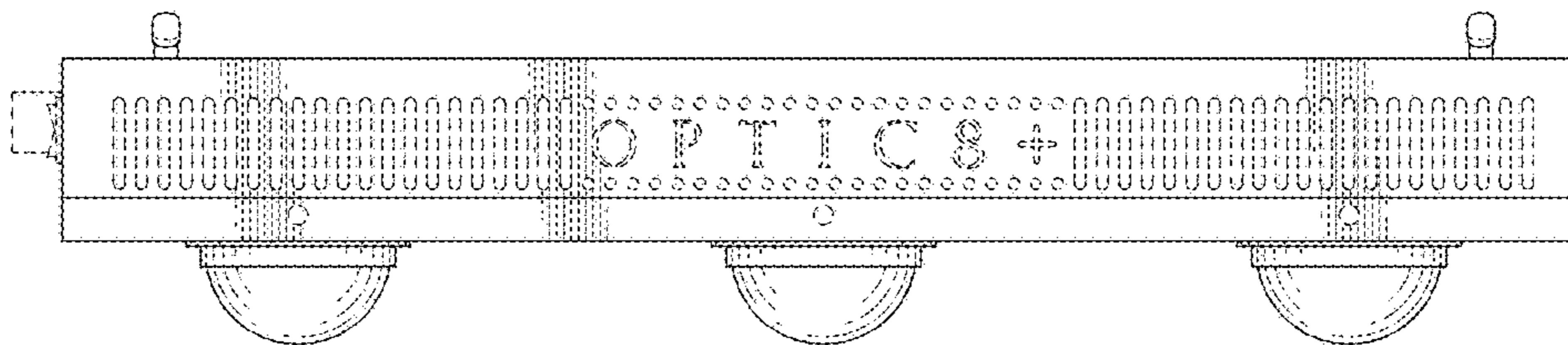


FIG. 6

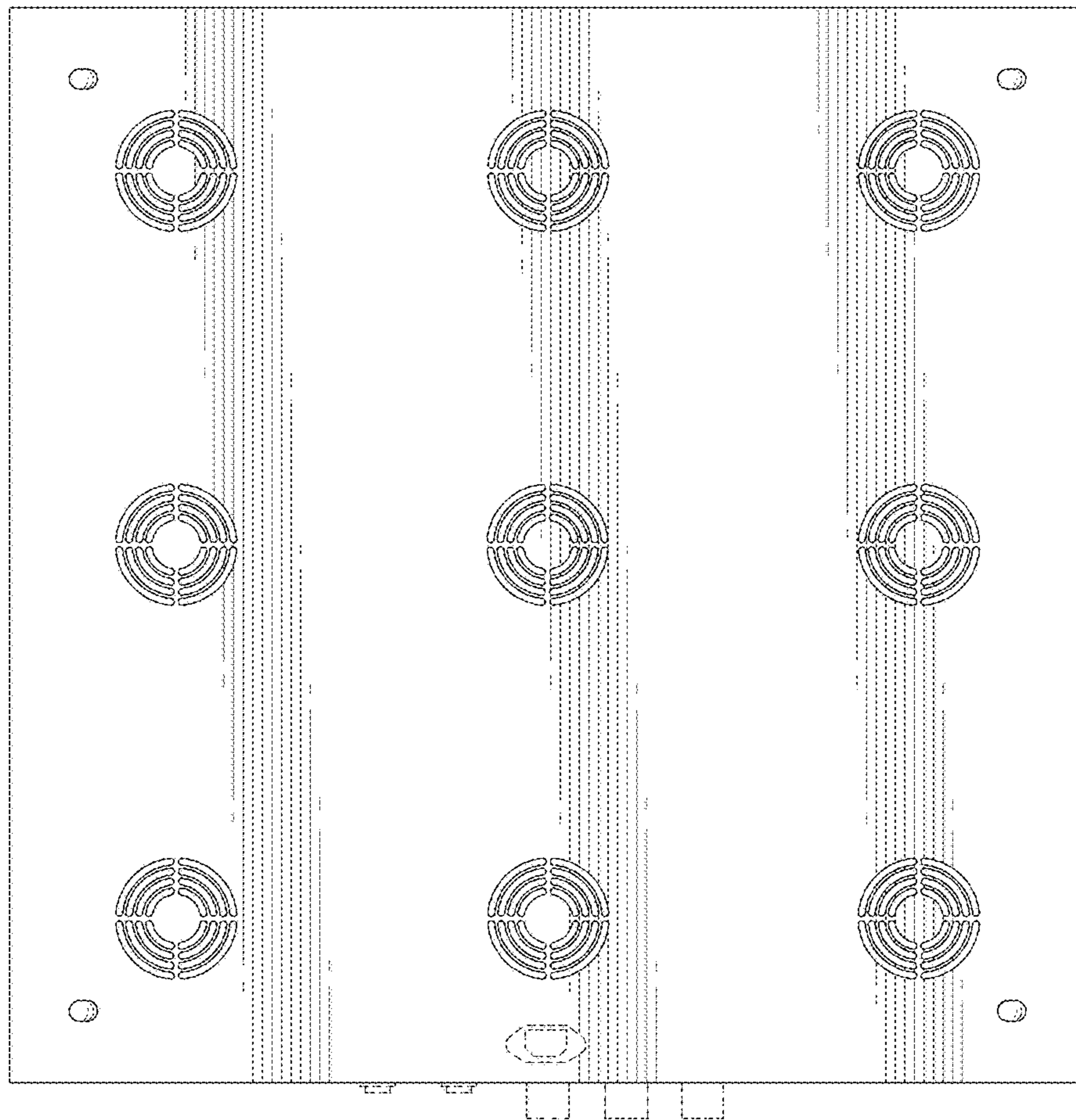


FIG. 7

