



US00D860501S

(12) **United States Design Patent**
Heiner et al.

(10) **Patent No.:** **US D860,501 S**

(45) **Date of Patent:** **** Sep. 17, 2019**

(54) **LIGHT FIXTURE**

D705,976 S * 5/2014 Hedstrom D26/119
D751,240 S * 3/2016 Wilcox D26/118
D775,393 S * 12/2016 Adams D26/63

(71) Applicant: **Illum Technology, LLC**, Mesa, AZ
(US)

* cited by examiner

(72) Inventors: **Johnathan J. Heiner**, Mesa, AZ (US);
Stephen P. Adams, Mesa, AZ (US);
Edgar A. Madril, Mesa, AZ (US)

Primary Examiner — Randall H Gholson

(74) *Attorney, Agent, or Firm* — Michael T. Wallace

(73) Assignee: **Illum Horticulture LLC**, Mesa, AZ
(US)

(57) **CLAIM**

The ornamental design for a light fixture, as shown and described.

(**) Term: **15 Years**

DESCRIPTION

(21) Appl. No.: **29/627,792**

(22) Filed: **Nov. 29, 2017**

(51) **LOC (12) Cl.** **26-03**

(52) **U.S. Cl.**
USPC **D26/76**

(58) **Field of Classification Search**
USPC ... D26/3, 37, 67, 71, 72, 75, 76, 78, 79, 80,
D26/81, 82, 83, 85, 86, 88, 90, 113, 118
CPC F21S 8/06; F21S 8/031; F21S 4/00; F21Y
2101/00
See application file for complete search history.

FIG. 1 is front, top, right perspective view of our new design for a light fixture;
FIG. 2 is a front, top, left perspective view thereof;
FIG. 3 is a front, bottom, right perspective view thereof;
FIG. 4 is a front, bottom, left perspective view thereof;
FIG. 5 is a back, top, right perspective view thereof;
FIG. 6 is a back, top, left perspective view thereof;
FIG. 7 is a back, bottom, right perspective view thereof;
FIG. 8 is a back, bottom, left perspective view thereof;
FIG. 9 is a front view thereof;
FIG. 10 is a back view thereof;
FIG. 11 is a right side view thereof;
FIG. 12 is a left side view thereof;
FIG. 13 is a top view thereof; and,
FIG. 14 is a bottom view thereof.

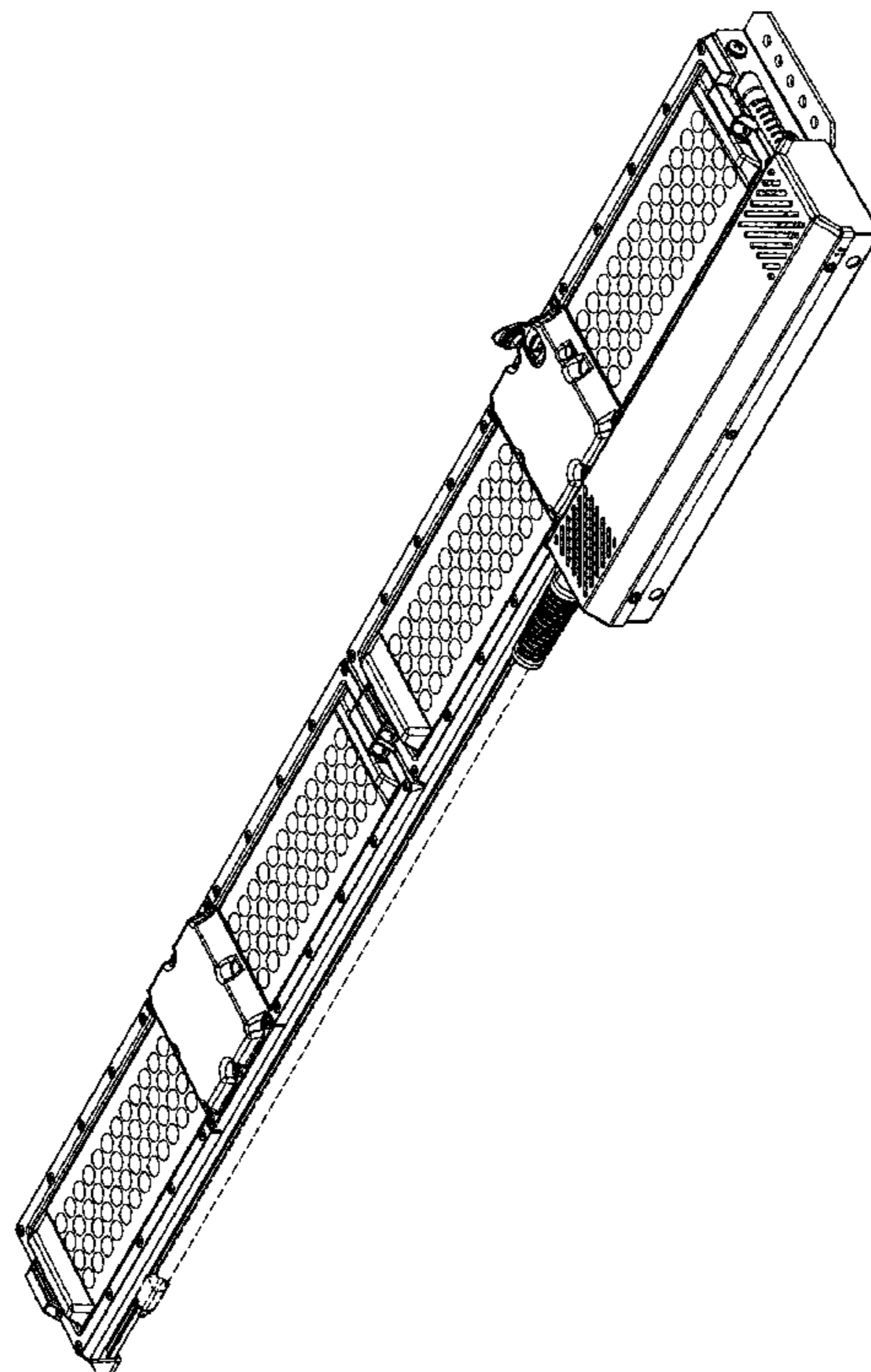
The broken lines in the drawings illustrate portions of the light fixture which form no part of the claimed design.

(56) **References Cited**

U.S. PATENT DOCUMENTS

D521,171 S * 5/2006 Skegin D26/72
D545,475 S * 6/2007 Hargreaves D26/75
D682,135 S * 5/2013 Grote, Jr. D10/114.4

1 Claim, 14 Drawing Sheets



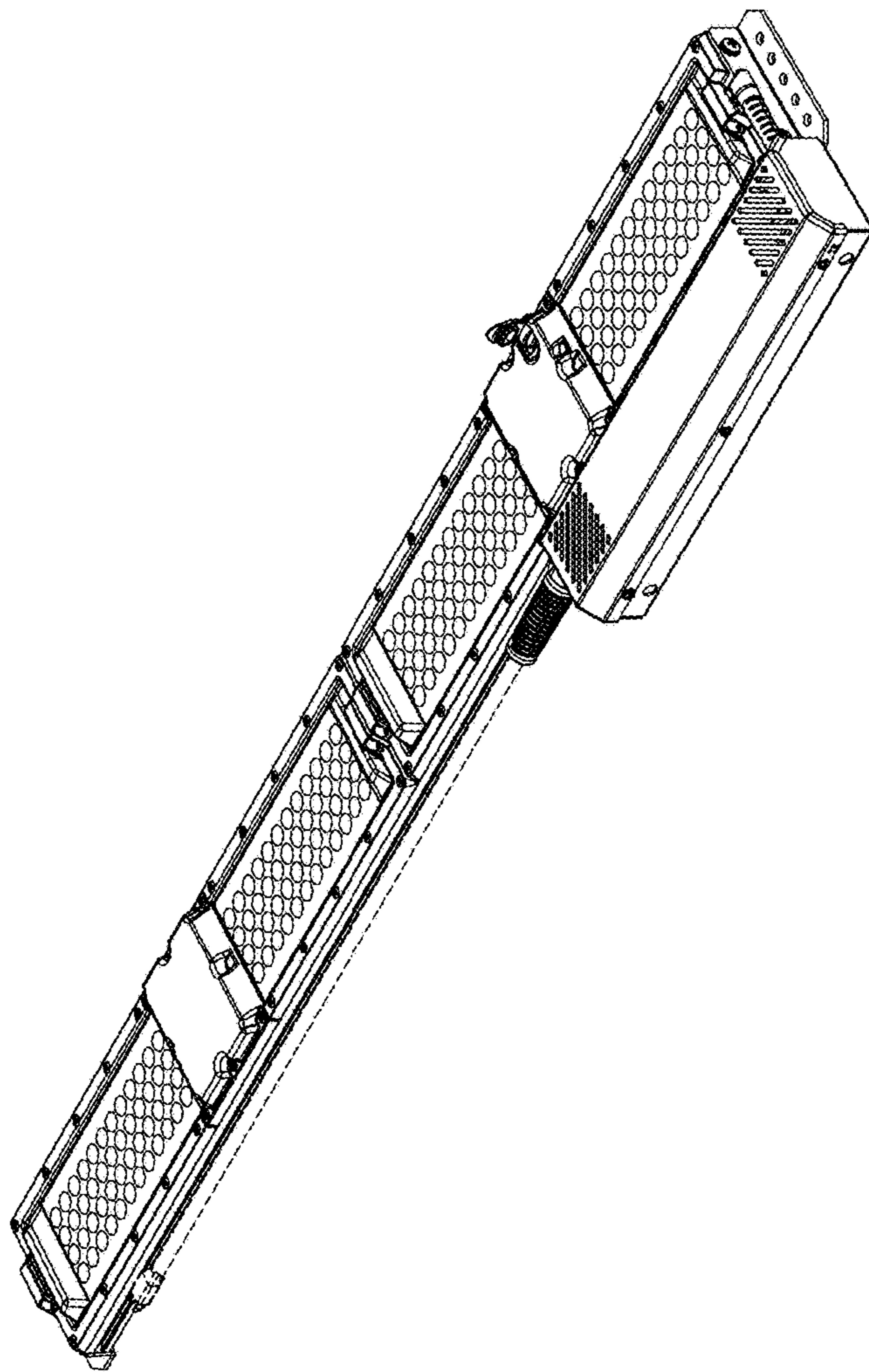


FIG. 1

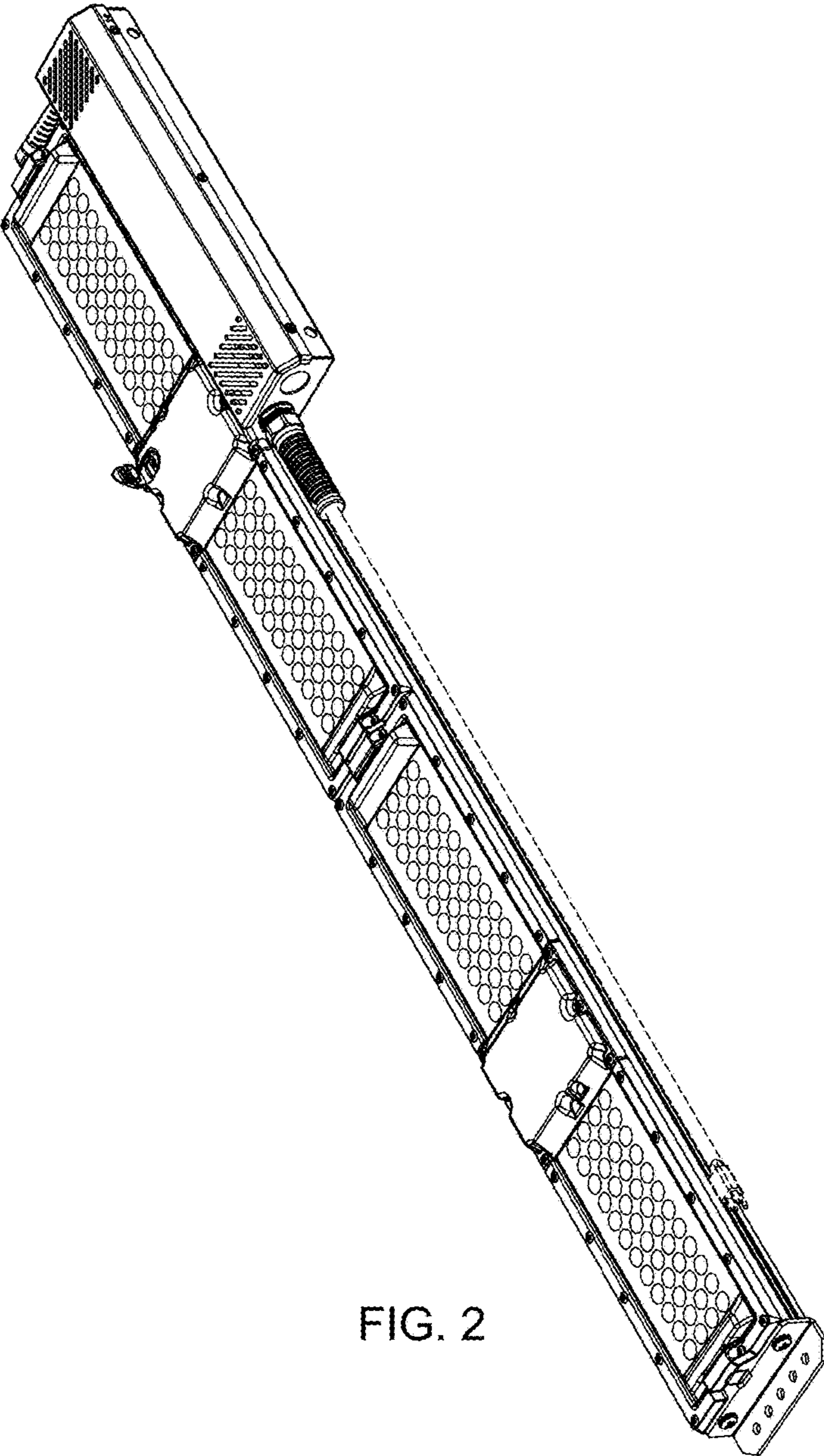


FIG. 2

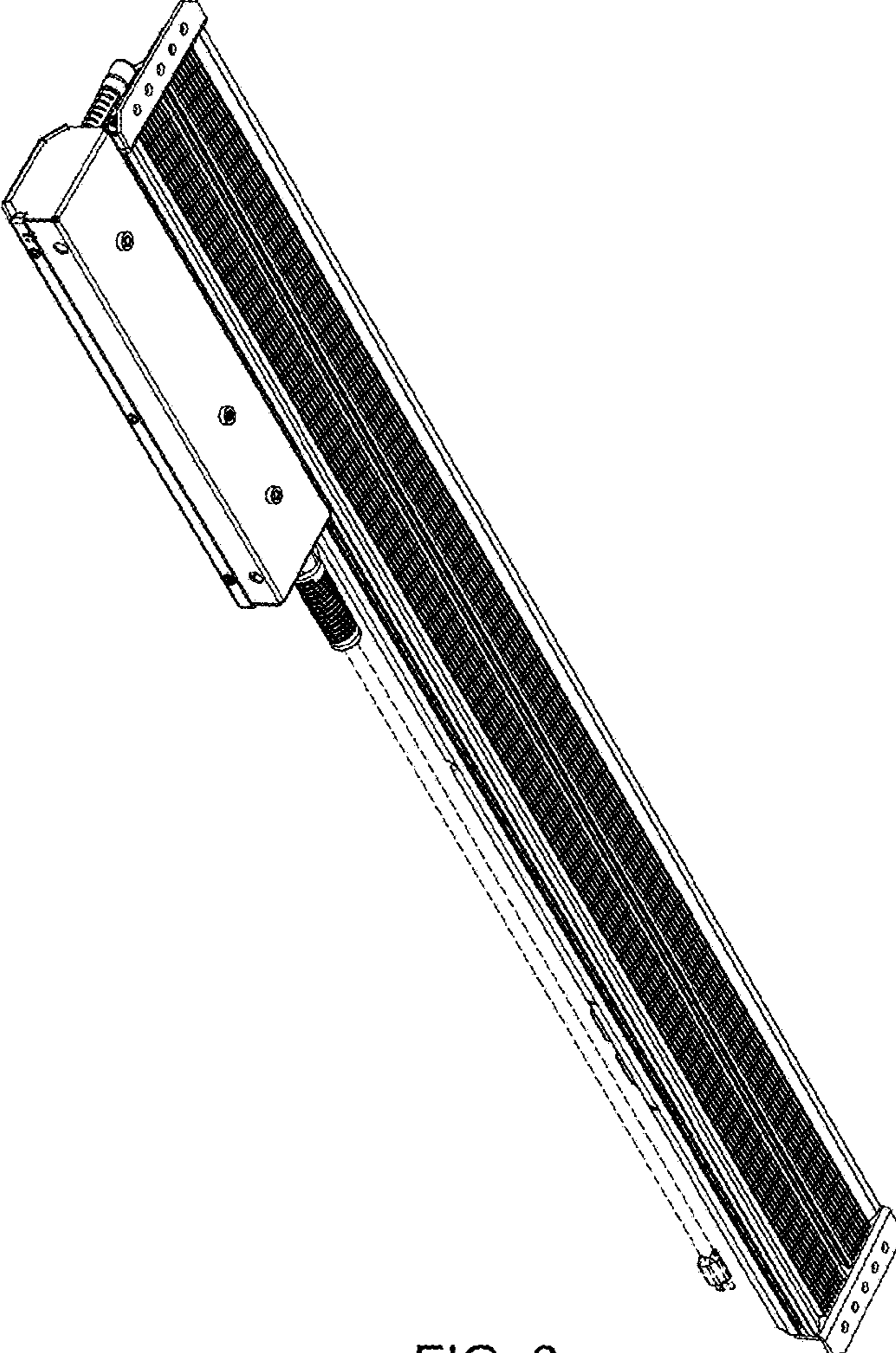


FIG. 3

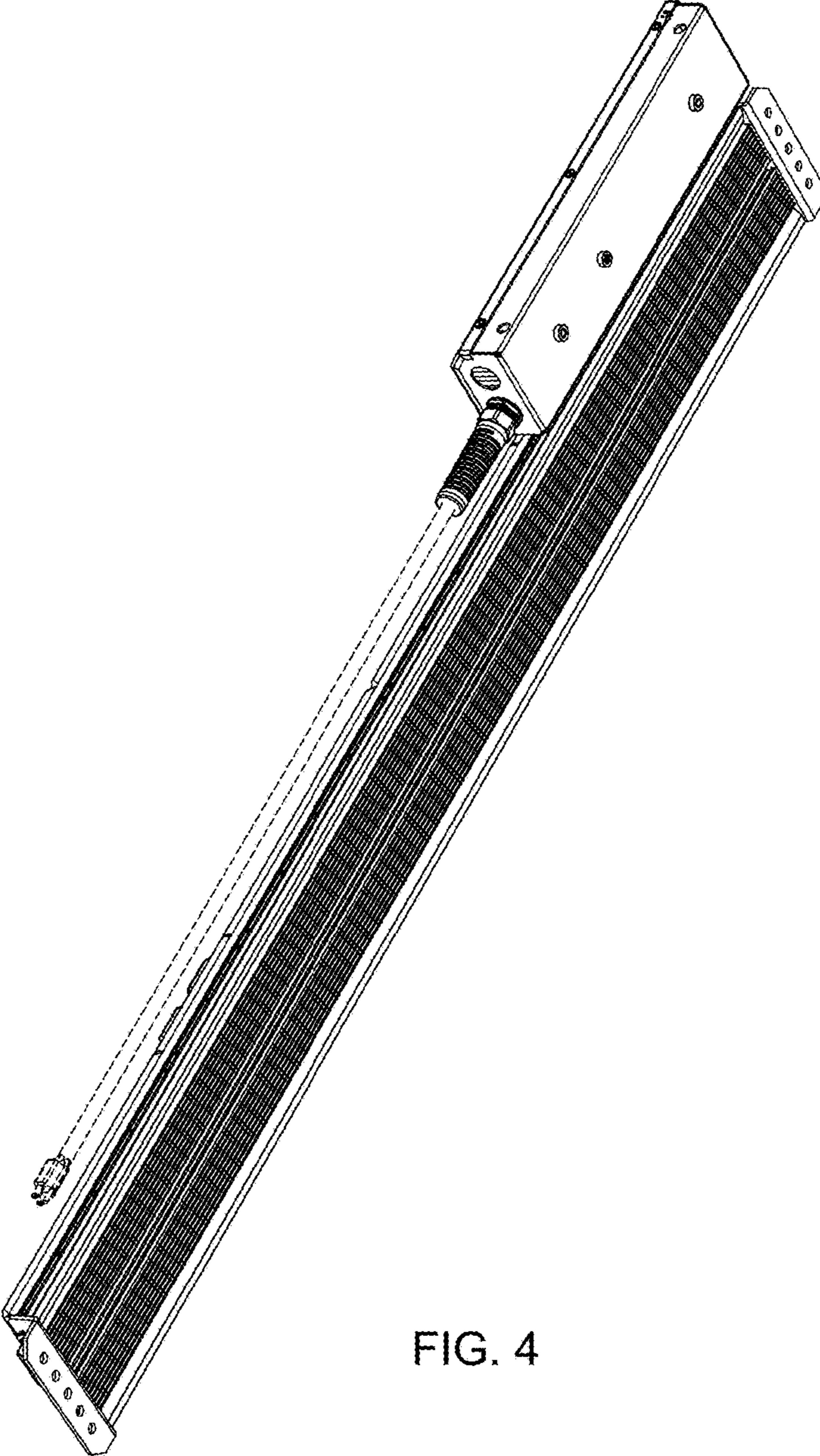


FIG. 4

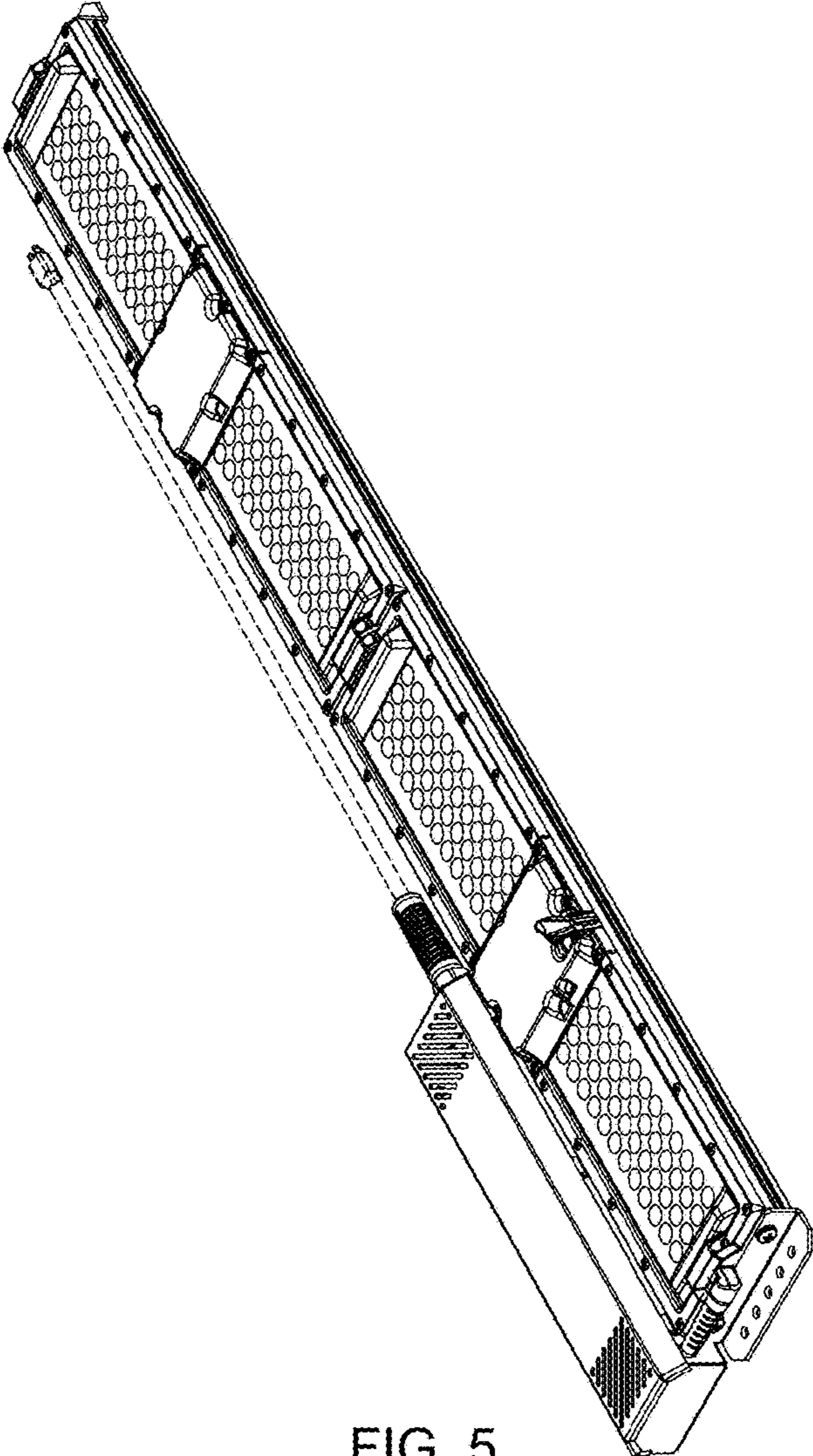


FIG. 5

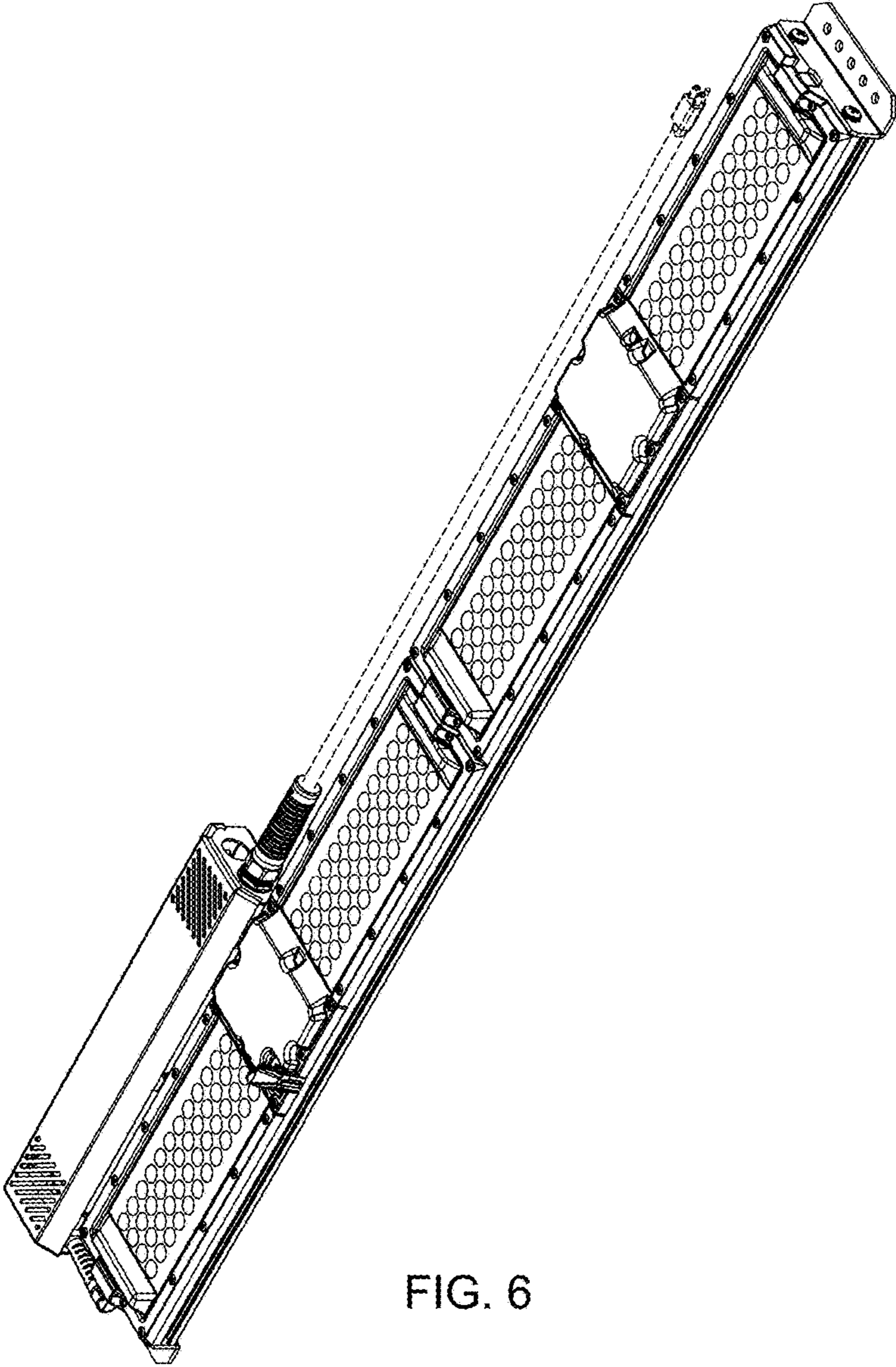


FIG. 6

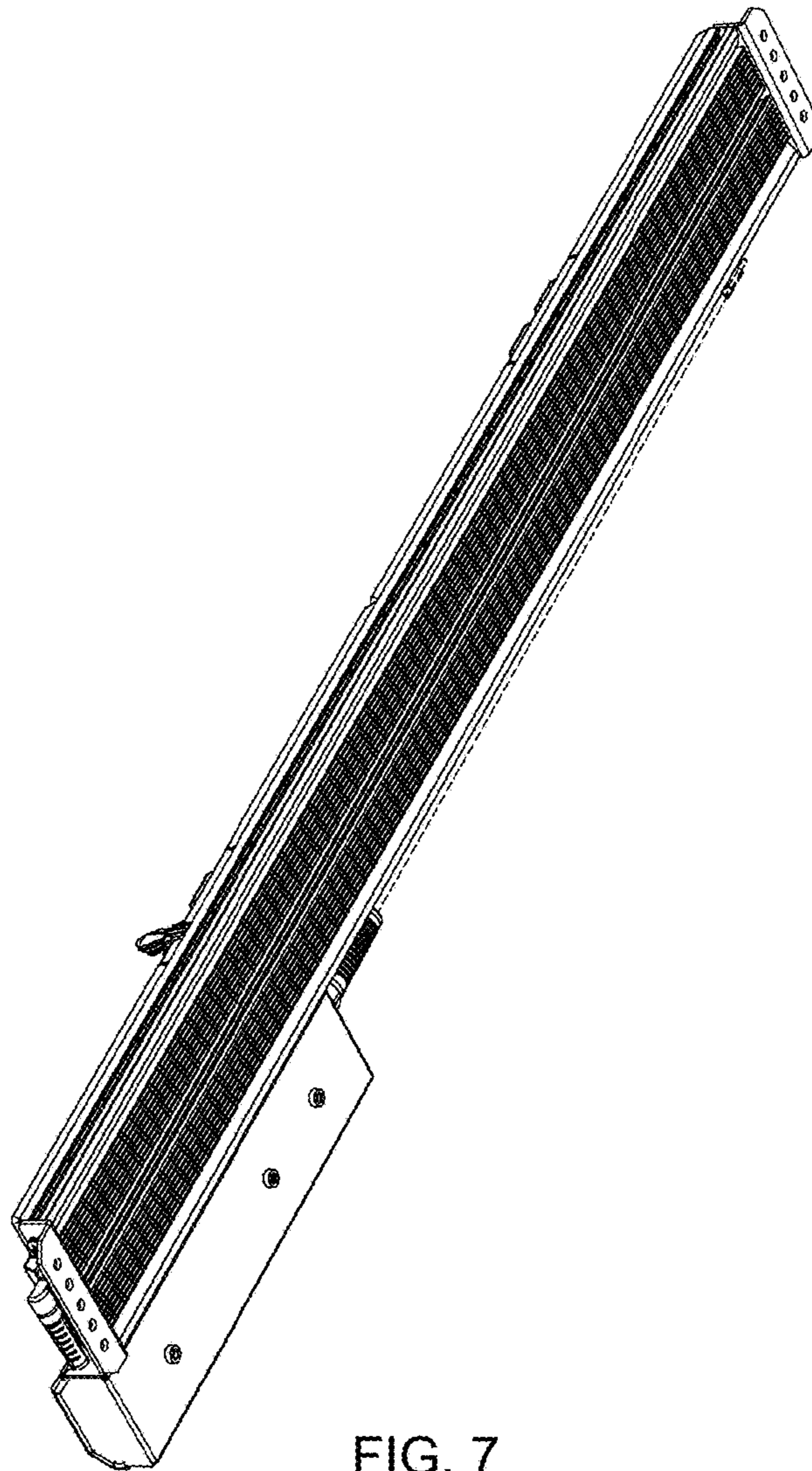


FIG. 7

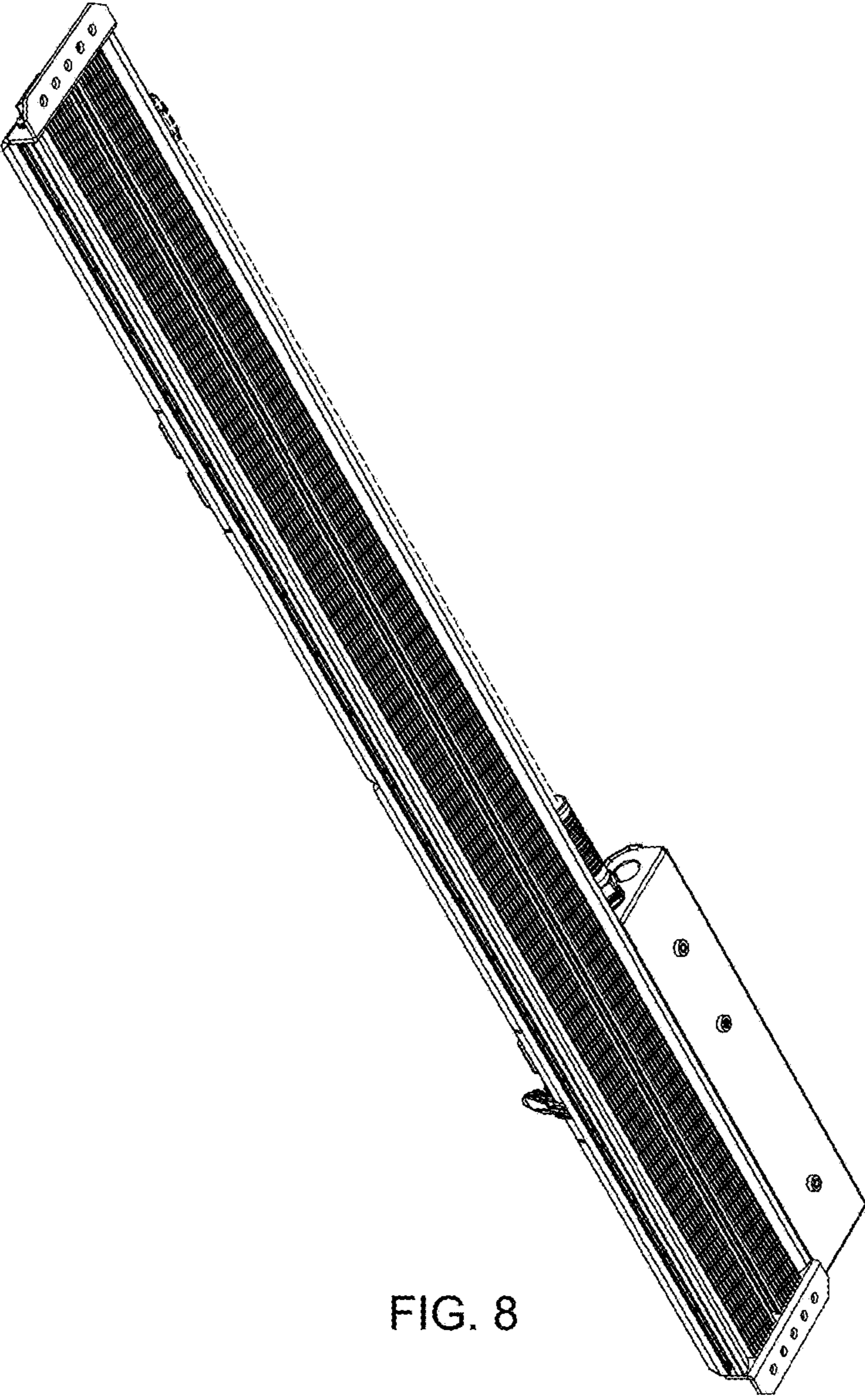


FIG. 8

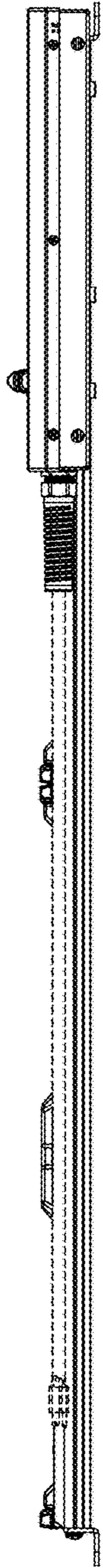


FIG. 9

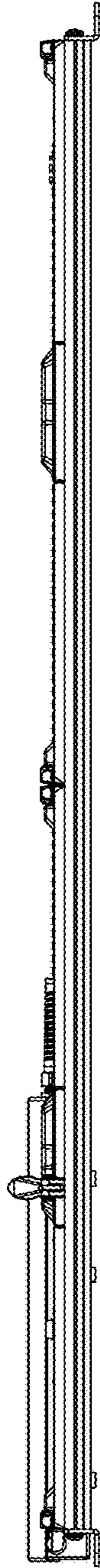


FIG. 10

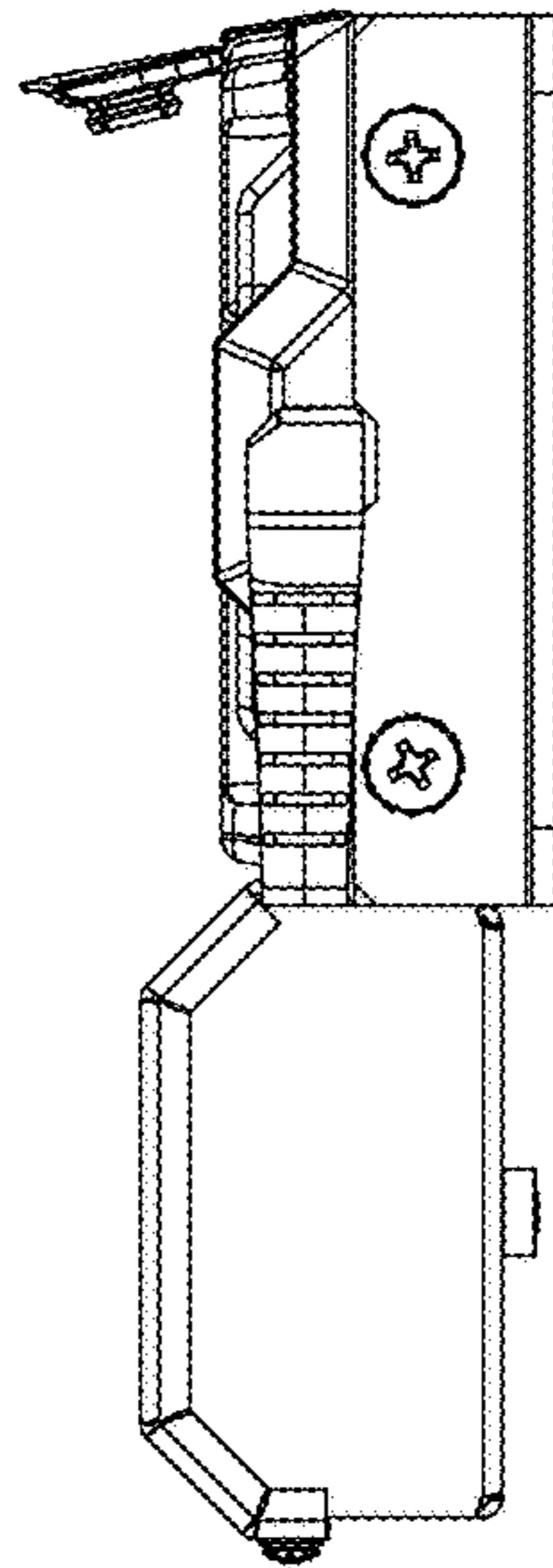


FIG. 11

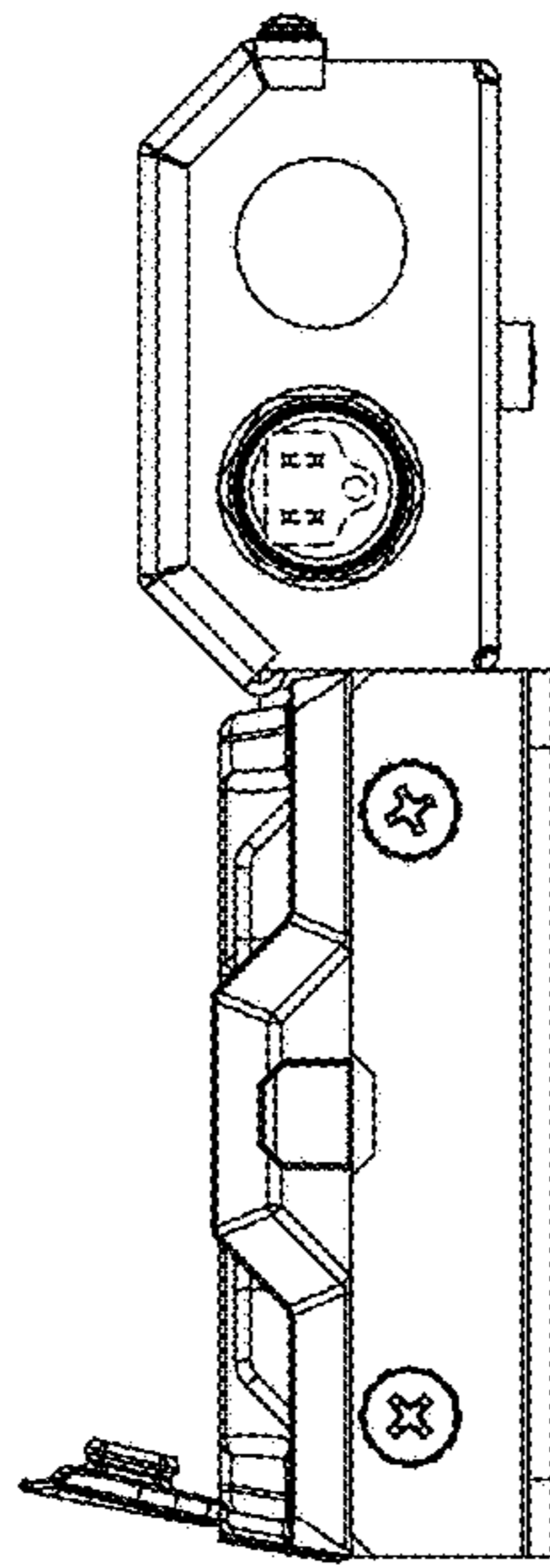


FIG. 12

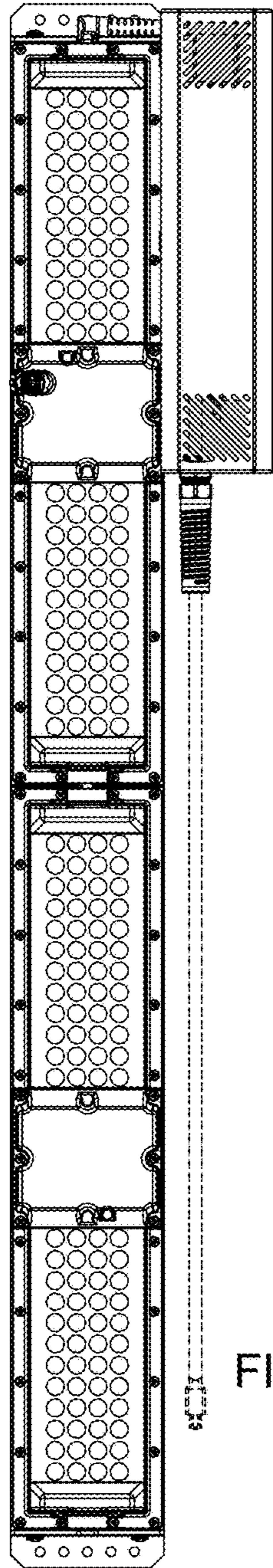


FIG. 13

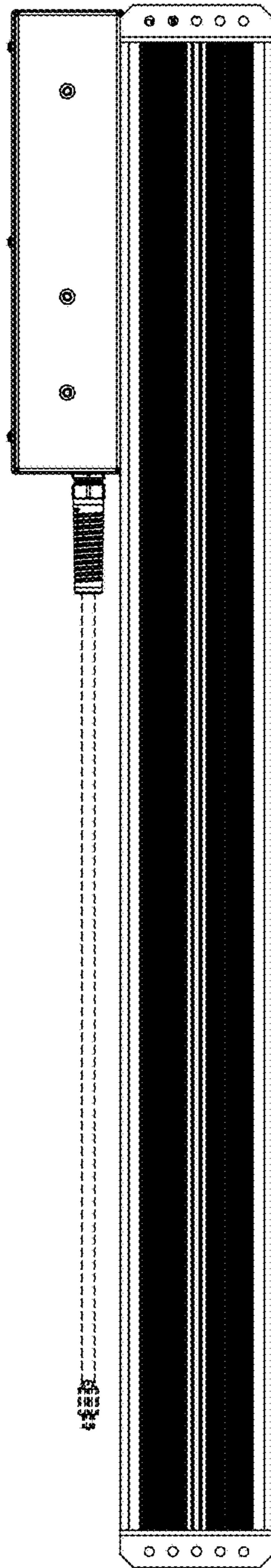


FIG. 14