



US00D860500S

(12) **United States Design Patent**
Farzan

(10) **Patent No.:** **US D860,500 S**

(45) **Date of Patent:** **** Sep. 17, 2019**

(54) **RECESSED LIGHTING FIXTURE WITH A FLEXIBLE DRIVER ASSEMBLY**

(71) Applicant: **NORA LIGHTING, INC.**, Commerce, CA (US)

(72) Inventor: **Fred Farzan**, Beverly Hills, CA (US)

(73) Assignee: **Nora Lighting, Inc.**, Commerce, CA (US)

(**) Term: **15 Years**

(21) Appl. No.: **29/591,401**

(22) Filed: **Jan. 19, 2017**

(51) **LOC (12) Cl.** **26-05**

(52) **U.S. Cl.**
USPC **D26/74**

(58) **Field of Classification Search**
USPC D26/74, 72, 75, 76, 77, 78, 85, 88, 89,
D26/118, 138, 141; 362/364, 365, 373,
362/145, 146, 147, 148, 150, 153, 153.1,
362/294, 296.01, 296.07, 296.08
See application file for complete search history.

(56) **References Cited**

U.S. PATENT DOCUMENTS

| | | | | | |
|------------|---|---------|-----------|-------|---------|
| D400,281 S | * | 10/1998 | Kerr | | D26/74 |
| D411,889 S | * | 7/1999 | Risi | | D25/108 |
| D473,670 S | * | 4/2003 | Kelmelis | | D26/74 |
| D493,559 S | * | 7/2004 | Park | | D26/74 |
| D599,943 S | * | 9/2009 | Bergmann | | D26/74 |
| D602,624 S | * | 10/2009 | Kawaguchi | | D26/74 |
| D611,641 S | * | 3/2010 | Dworschak | | D26/74 |

| | | | | | |
|------------|---|---------|------------|-------|--------|
| D633,243 S | * | 2/2011 | Call | | D26/72 |
| D646,831 S | * | 10/2011 | Pan | | D26/74 |
| D679,849 S | * | 4/2013 | Ham | | D26/74 |
| D702,868 S | * | 4/2014 | Patel | | D26/74 |
| D713,585 S | * | 9/2014 | Van Lierde | | D26/66 |

* cited by examiner

Primary Examiner — Angela J Lee

(74) *Attorney, Agent, or Firm* — K&L Gates LLP

(57) **CLAIM**

The ornamental design for a recessed lighting fixture with a flexible driver assembly, as shown and described.

DESCRIPTION

FIG. 1 is a perspective view of the front side of a recessed lighting fixture with a flexible driver assembly where the enclosure box is transparent;

FIG. 2 illustrates a top-perspective view of the recessed lighting fixture with the enclosure box shown as being transparent.

FIG. 3 illustrates a bottom-up view of the recessed lighting fixture with the enclosure box shown as being transparent.

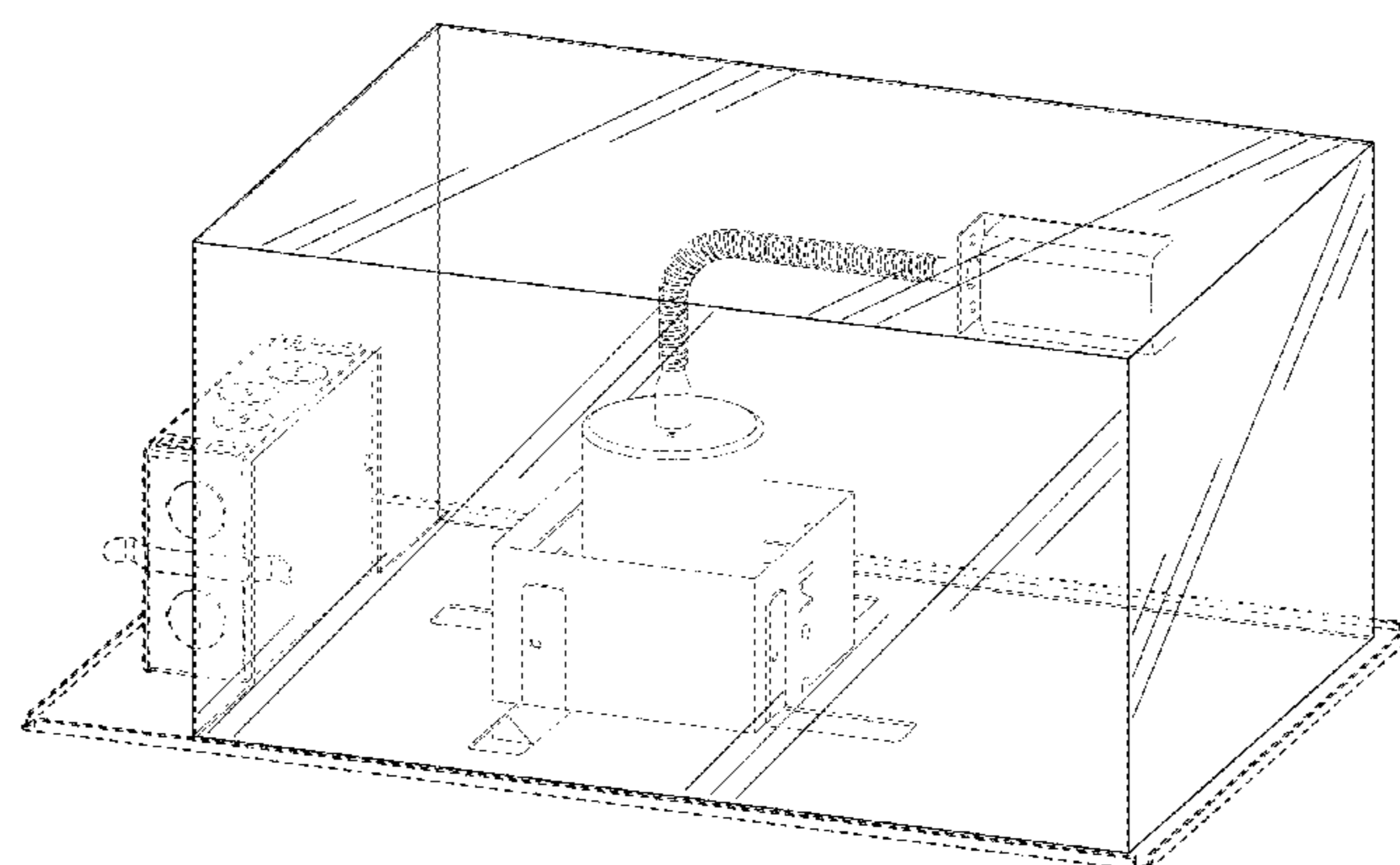
FIG. 4 illustrates a top-down view of the recessed lighting fixture with the enclosure box shown as being transparent.

FIG. 5 illustrates a first side view of the recessed lighting fixture with the enclosure box shown as being transparent; and,

FIG. 6 illustrates a second side view of the recessed lighting fixture with the enclosure box shown as being transparent.

The broken lines shown in the drawings represent portions of the recessed lighting fixture with a flexible driver assembly that form no part of the claimed design.

1 Claim, 6 Drawing Sheets



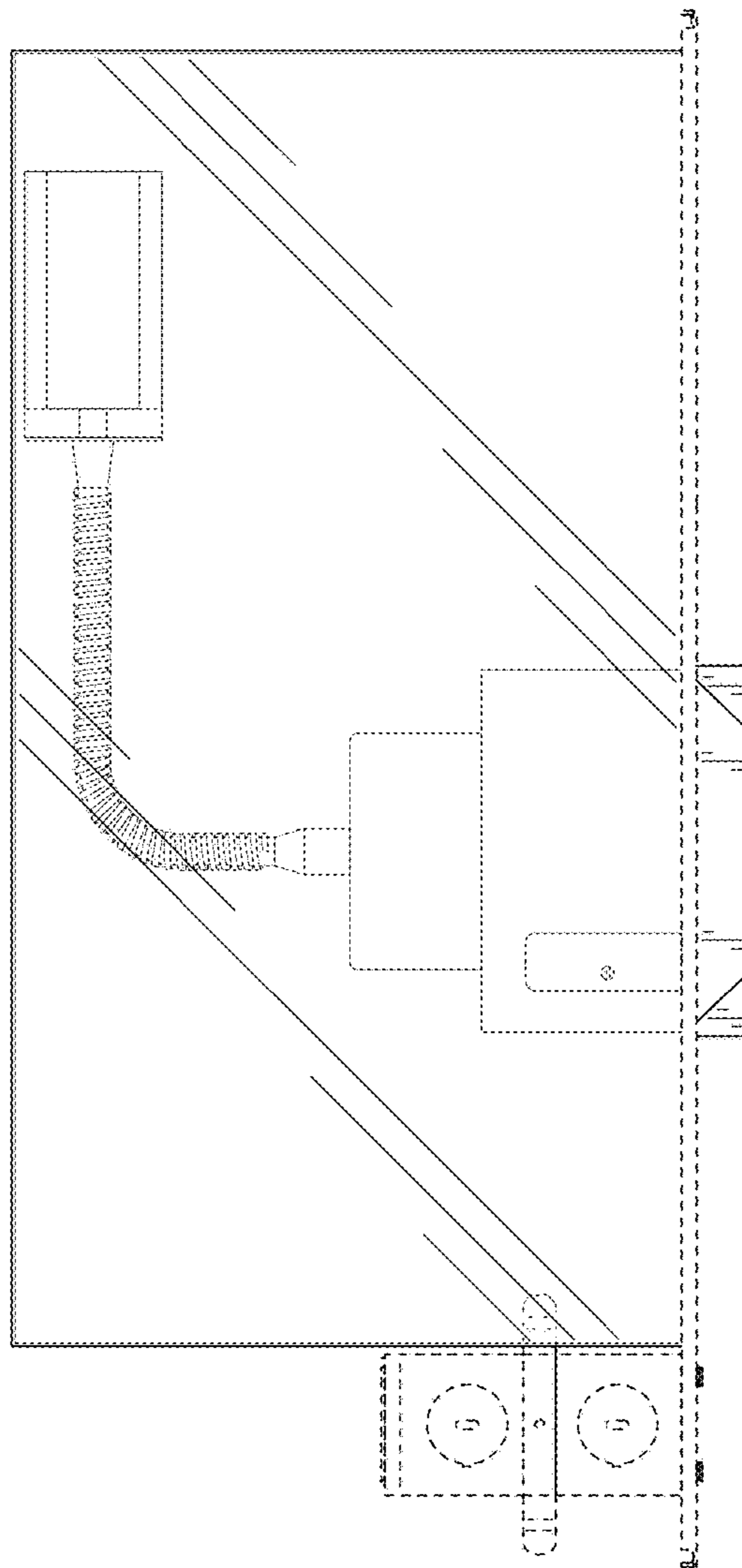


FIG. 1

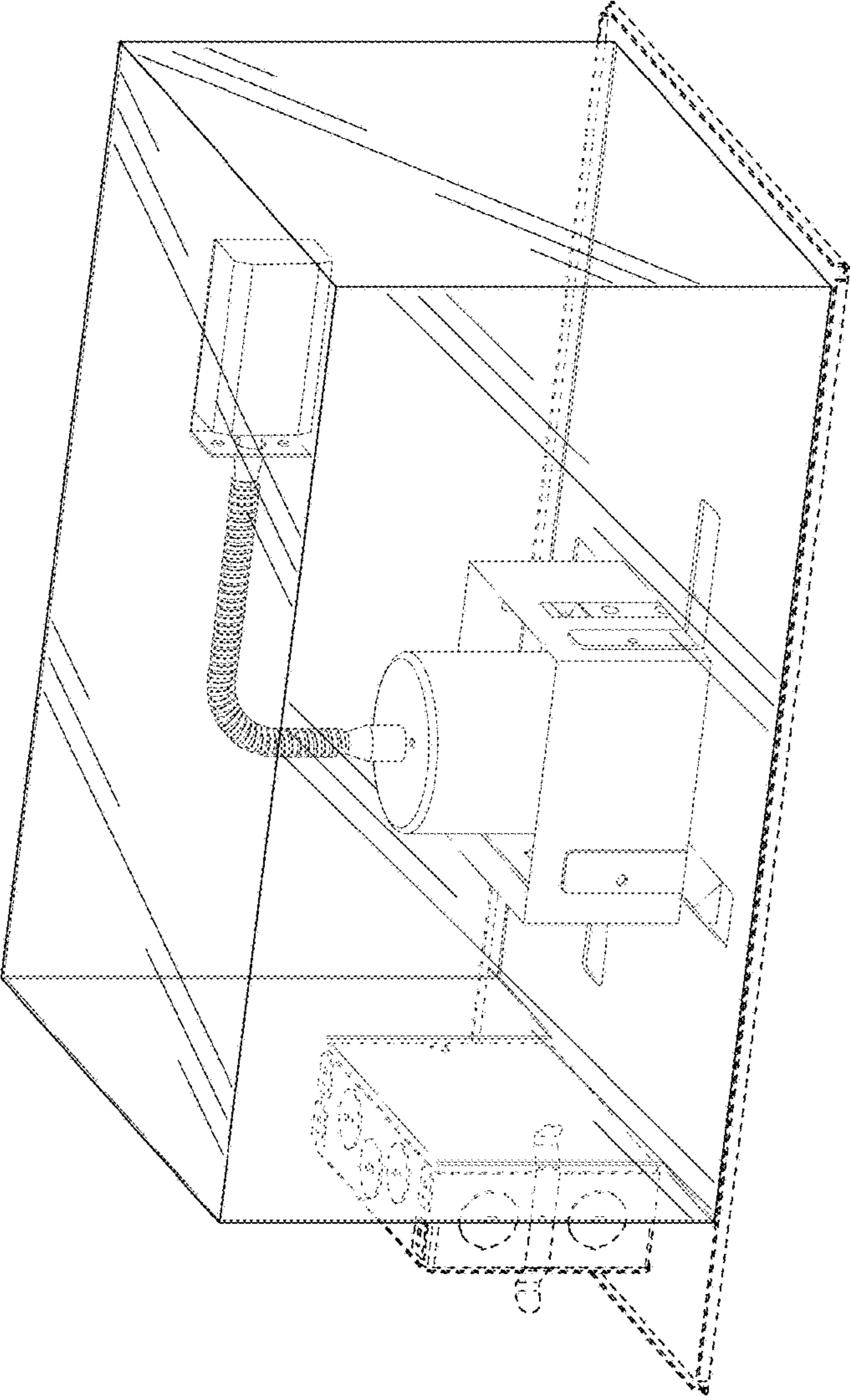


FIG. 2

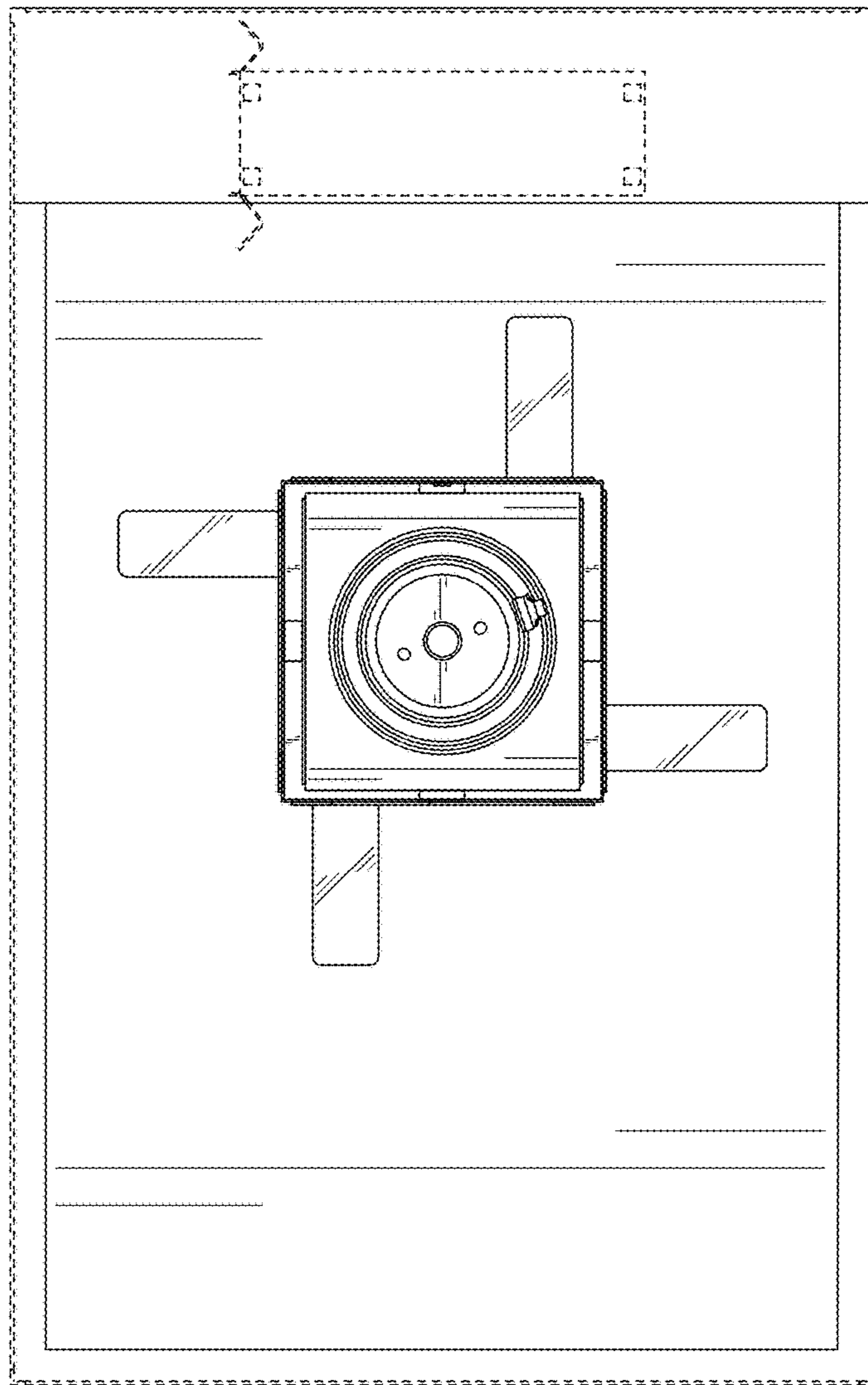


FIG. 3

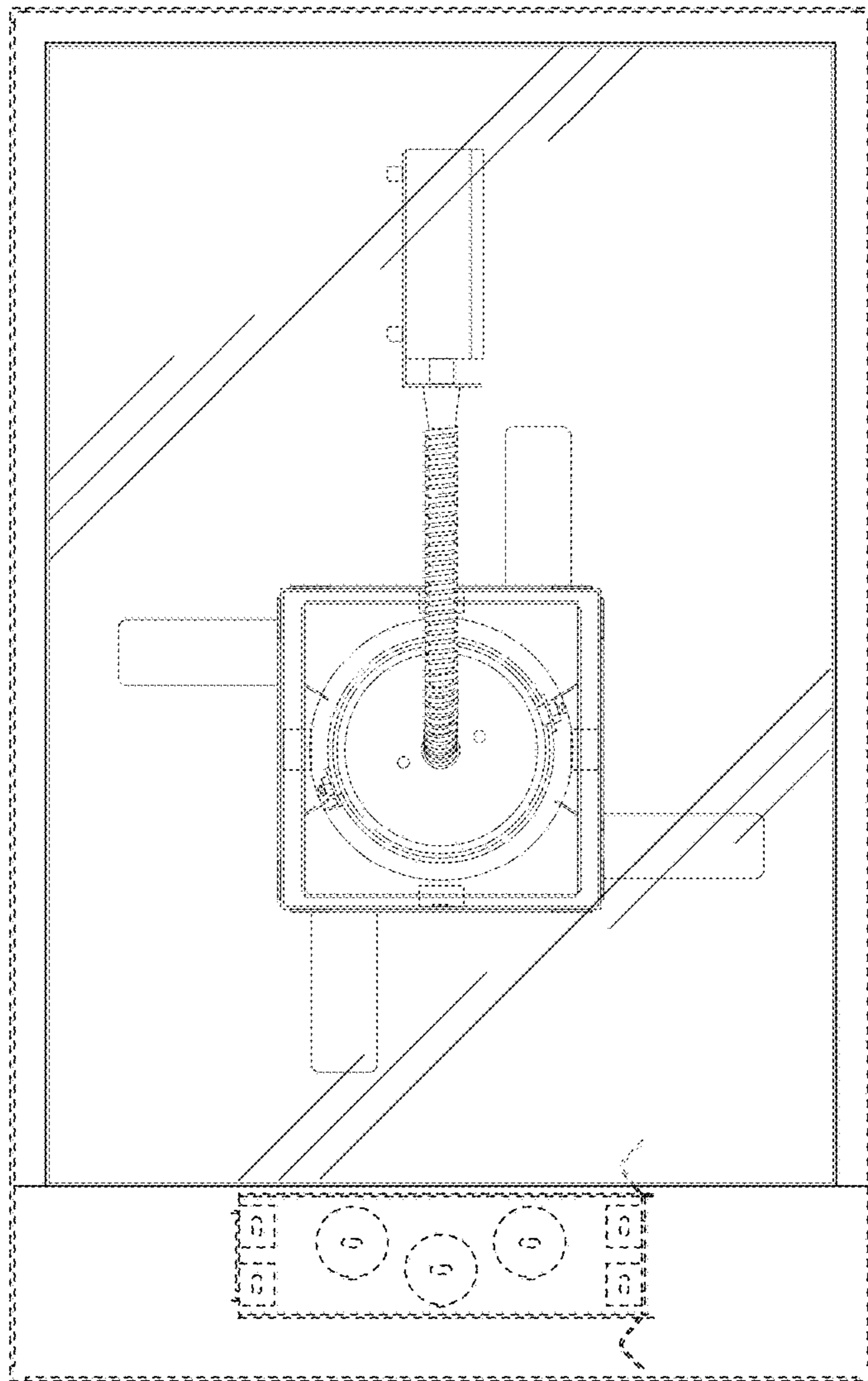


FIG. 4

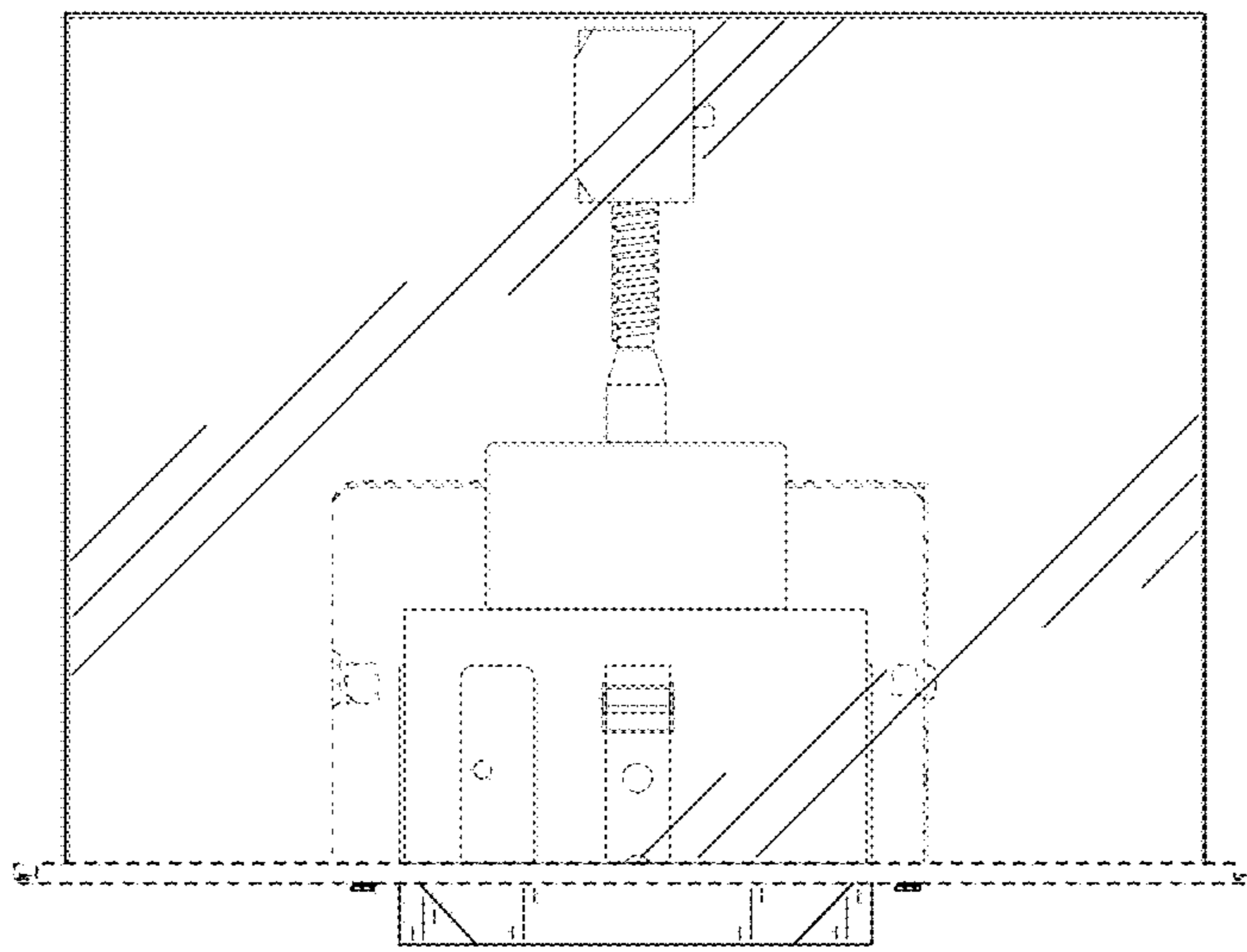


FIG. 5

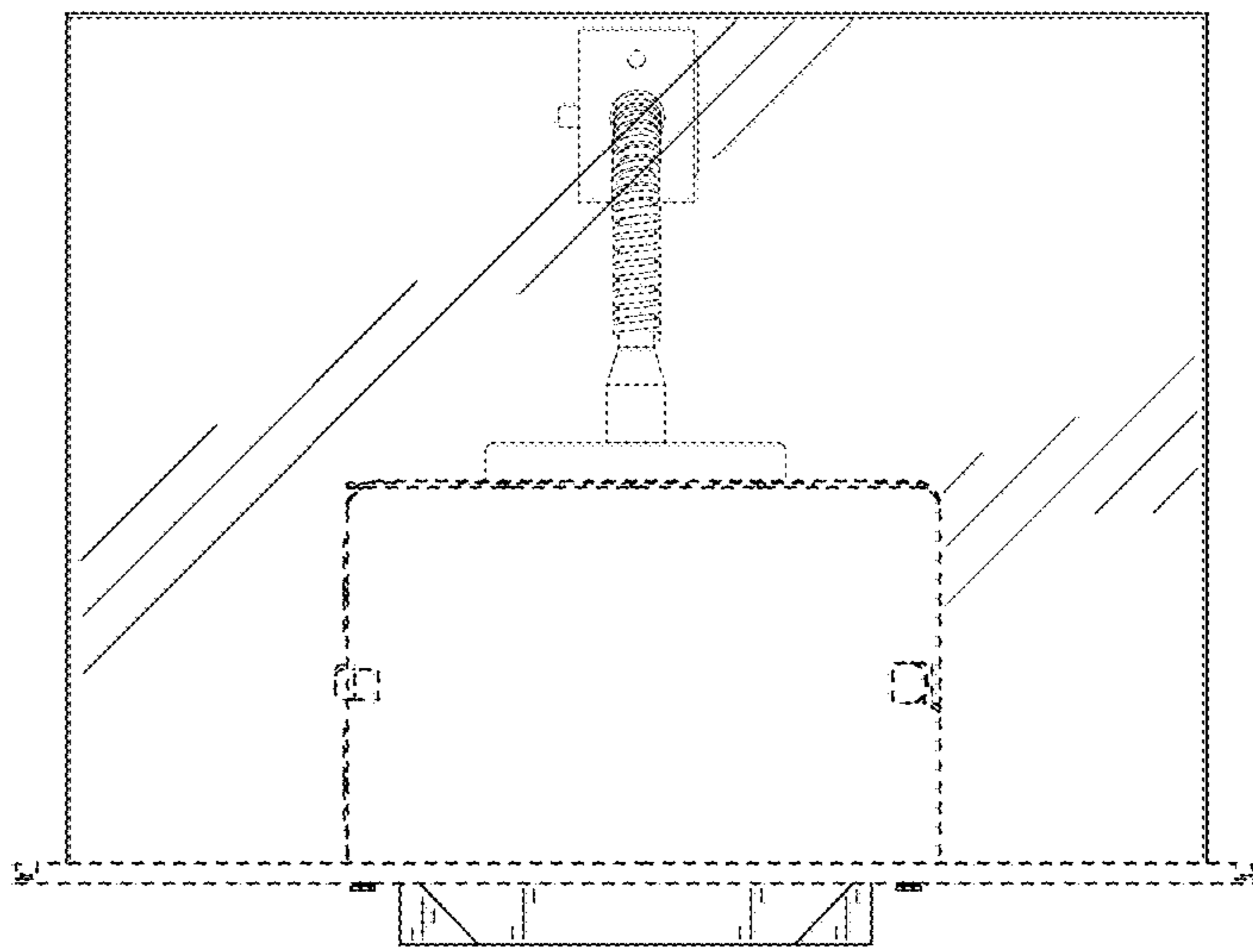


FIG. 6