

US00D860498S

(12) **United States Design Patent** (10) **Patent No.:** **US D860,498 S**  
**Engle et al.** (45) **Date of Patent:** **\*\* Sep. 17, 2019**

- (54) **BAY LUMINAIRE**
- (71) Applicant: **Hubbell Incorporated**, Shelton, CT (US)
- (72) Inventors: **Joseph Engle**, Taylors, SC (US); **Thomas Holscher**, Simpsonville, SC (US); **Dustin Parsons**, Greer, SC (US)
- (73) Assignee: **Hubbell Incorporated**, Shelton, CT (US)
- (\*\*) Term: **15 Years**
- (21) Appl. No.: **29/624,603**
- (22) Filed: **Nov. 2, 2017**

- 5,136,490 A 8/1992 Morrison
  - D405,210 S 2/1999 Egleston
  - D418,938 S 1/2000 McCartney
  - D428,512 S 7/2000 Minissi
  - D442,720 S 5/2001 Minissi
  - D442,733 S 5/2001 Minissi
  - D450,406 S 11/2001 Knappstein
  - D488,880 S 4/2004 Rahn
  - D544,127 S 6/2007 Posey
  - D583,980 S 12/2008 Guercio
  - D588,298 S 3/2009 Sabernig
  - D588,299 S 3/2009 Sabernig
  - D592,792 S 5/2009 Keller
  - D627,502 S 11/2010 Zheng
  - D707,382 S 6/2014 Ni
  - D741,533 S 10/2015 Yeh
  - D780,972 S \* 3/2017 Morello ..... D26/72
- (Continued)

**Related U.S. Application Data**

- (62) Division of application No. 29/562,152, filed on Apr. 22, 2016, now Pat. No. Des. 803,453.
- (51) **LOC (12) Cl.** ..... **26-03**
- (52) **U.S. Cl.**  
USPC ..... **D26/72**
- (58) **Field of Classification Search**  
USPC ..... D26/24, 63, 72, 80, 84, 88, 89, 118, 152  
CPC .... F21S 8/04; F21S 8/026; F21S 8/033; F21S 8/036; F21S 8/03; F21S 8/043; F21S 8/046; F21S 8/06; F21S 8/061; F21S 8/063; F21S 8/068; F21S 13/02; F21V 21/04; F21V 17/02; F21V 17/04; F21V 17/164

See application file for complete search history.

**References Cited**

**U.S. PATENT DOCUMENTS**

- D163,812 S 7/1951 Mehr
- 3,413,462 A 11/1968 Spero
- 3,636,339 A 1/1972 Osborne
- 4,300,190 A 11/1981 Mershon
- D268,876 S 5/1983 Leithauser, Jr.

**OTHER PUBLICATIONS**

LGI Technology "LEDzilla" High-Bay Acrylic fixture; © 2012. From the Igitex.com website visited Dec. 13, 2016. (2 pages). (Year: 2016).\*

(Continued)

*Primary Examiner* — Clare E Heflin

(74) *Attorney, Agent, or Firm* — Michael Best & Friedrich, LLP

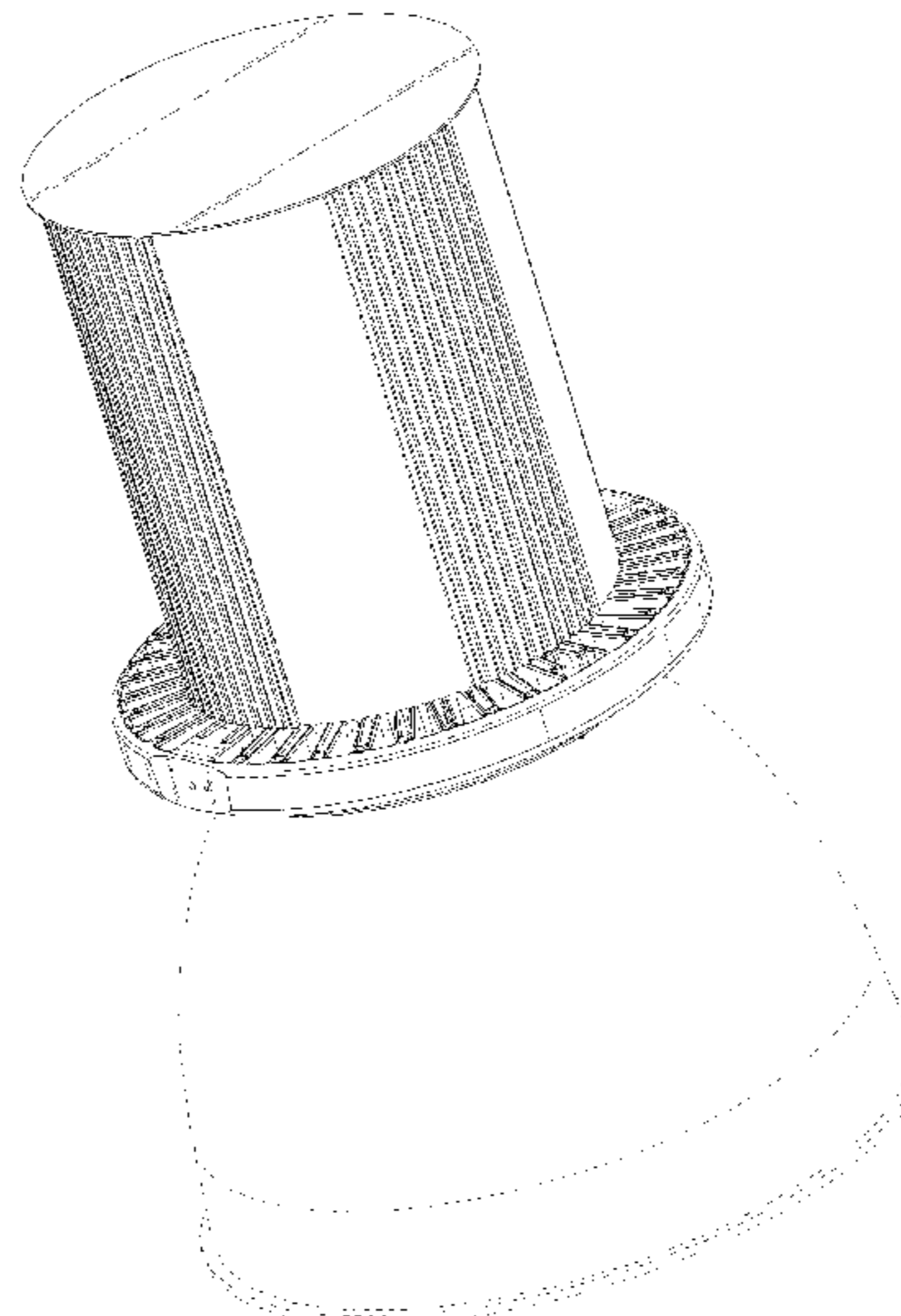
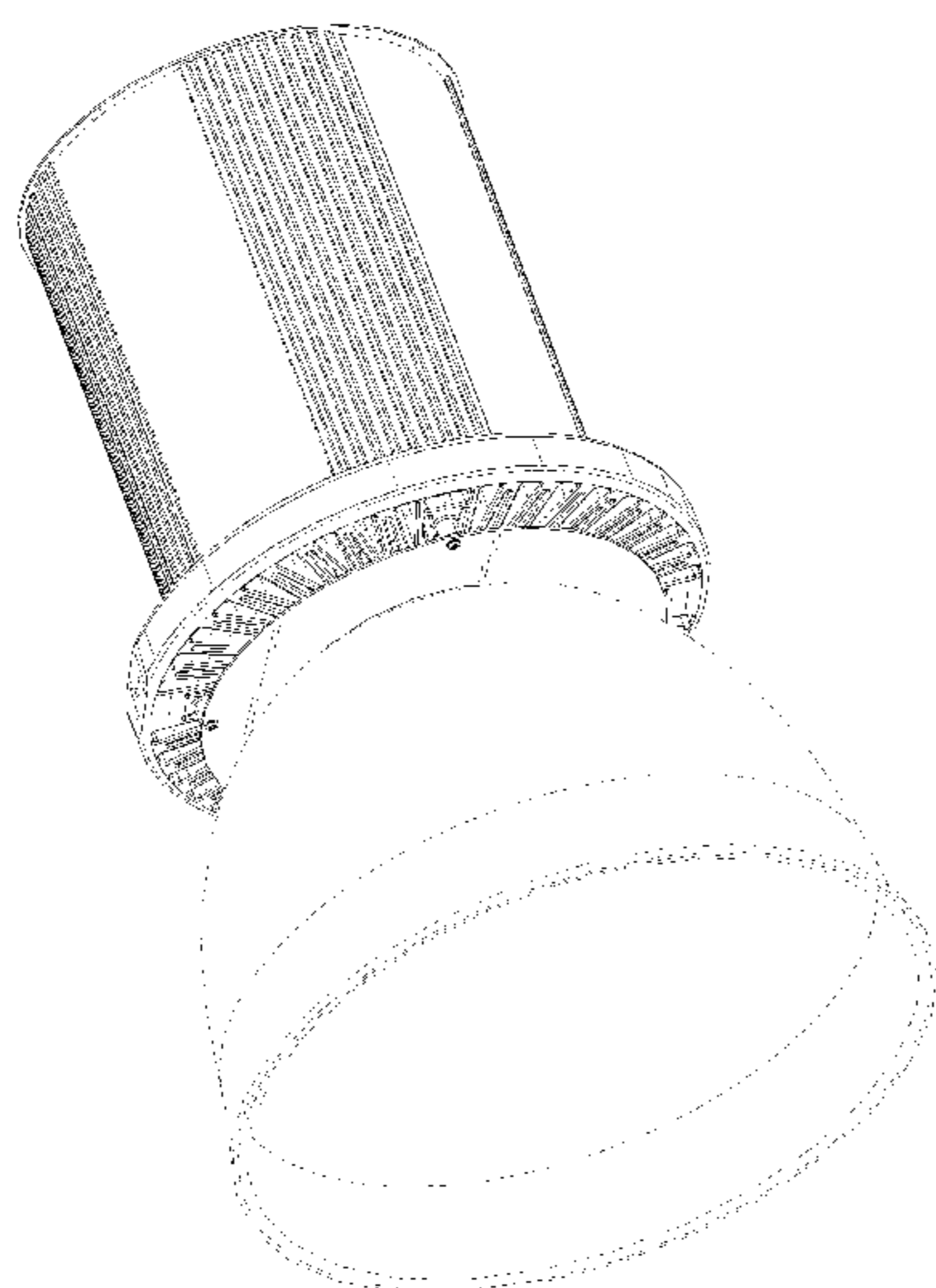
(57) **CLAIM**

The ornamental design for a bay luminaire, as shown and described.

**DESCRIPTION**

FIG. 1 is a bottom perspective view of an embodiment of the design;  
FIG. 2 is a top perspective view of FIG. 1;  
FIG. 3 is a side view of FIG. 1;  
FIG. 4 is a bottom view of FIG. 1; and,  
FIG. 5 is a top view of FIG. 1.

**1 Claim, 5 Drawing Sheets**



(56)

**References Cited**

U.S. PATENT DOCUMENTS

D784,591 S \* 4/2017 Bryant ..... D26/72  
D803,453 S \* 11/2017 Engle ..... D26/72  
2010/0020549 A1 1/2010 Arceneaux  
2011/0170294 A1 7/2011 Mier-Langner  
2012/0206927 A1\* 8/2012 Miyahara ..... F21V 29/004  
362/382  
2012/0275163 A1 11/2012 Chen  
2013/0100677 A1\* 4/2013 Powell ..... F21S 8/06  
362/296.01  
2014/0233233 A1 8/2014 Park  
2015/0323162 A1 11/2015 Xu  
2016/0290603 A1\* 10/2016 Morello ..... F21V 13/02

OTHER PUBLICATIONS

LGI Technology "LEDzilla" High-Bay Acrylic fixture; 2012. From the Igitex.com website visited Dec. 13, 2016. (2 pages).

\* cited by examiner

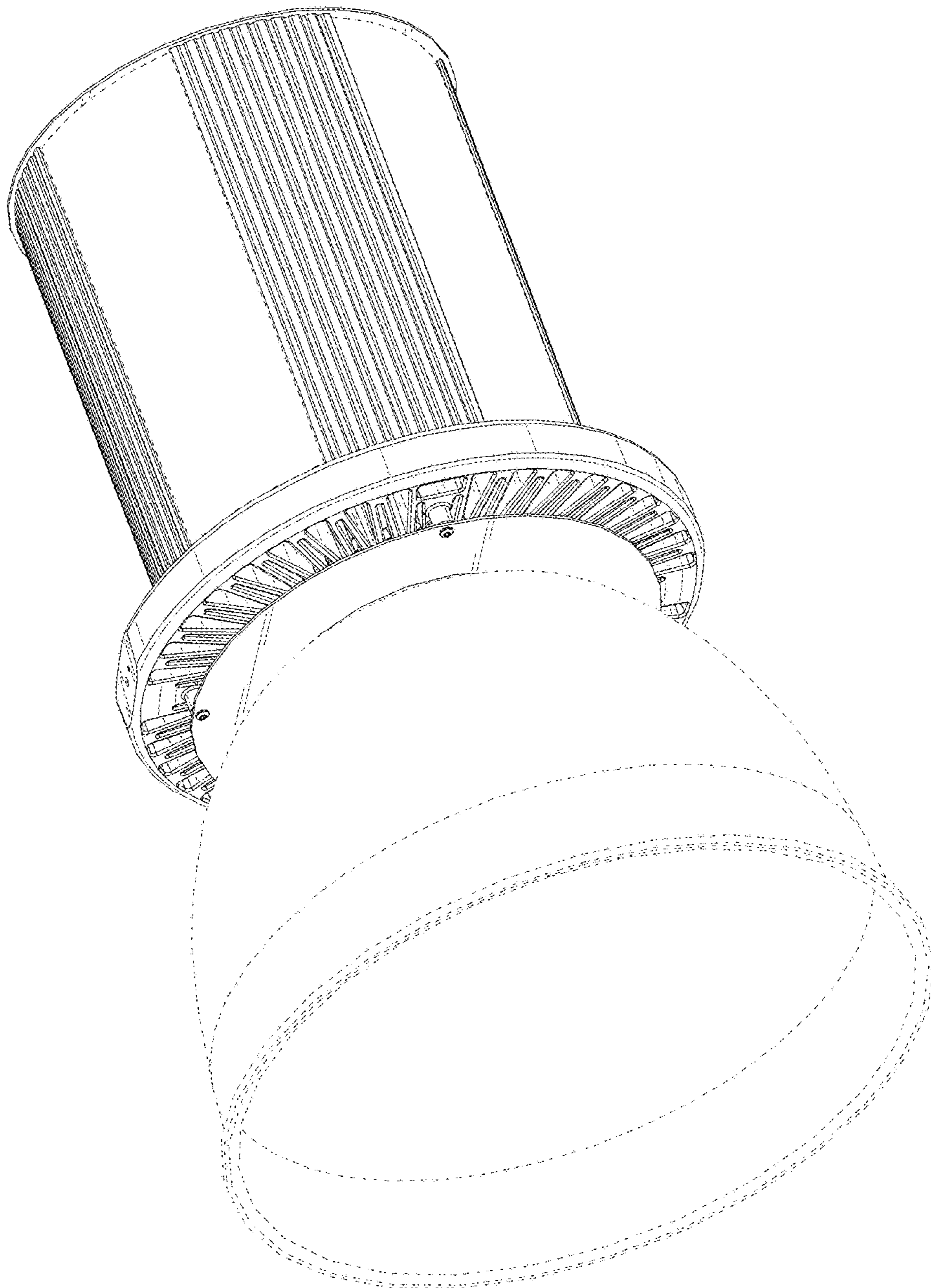


FIG. 1



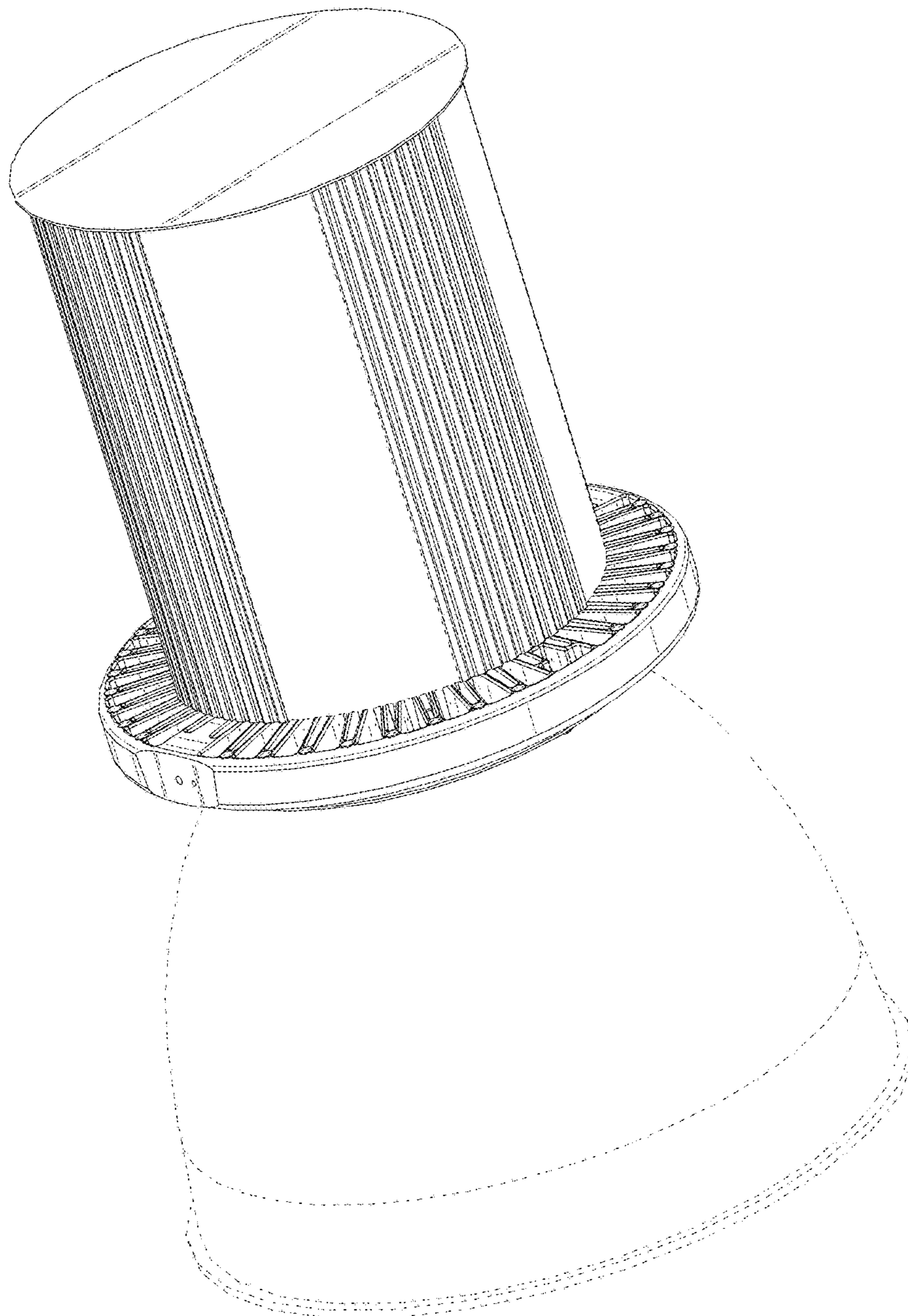


FIG. 2

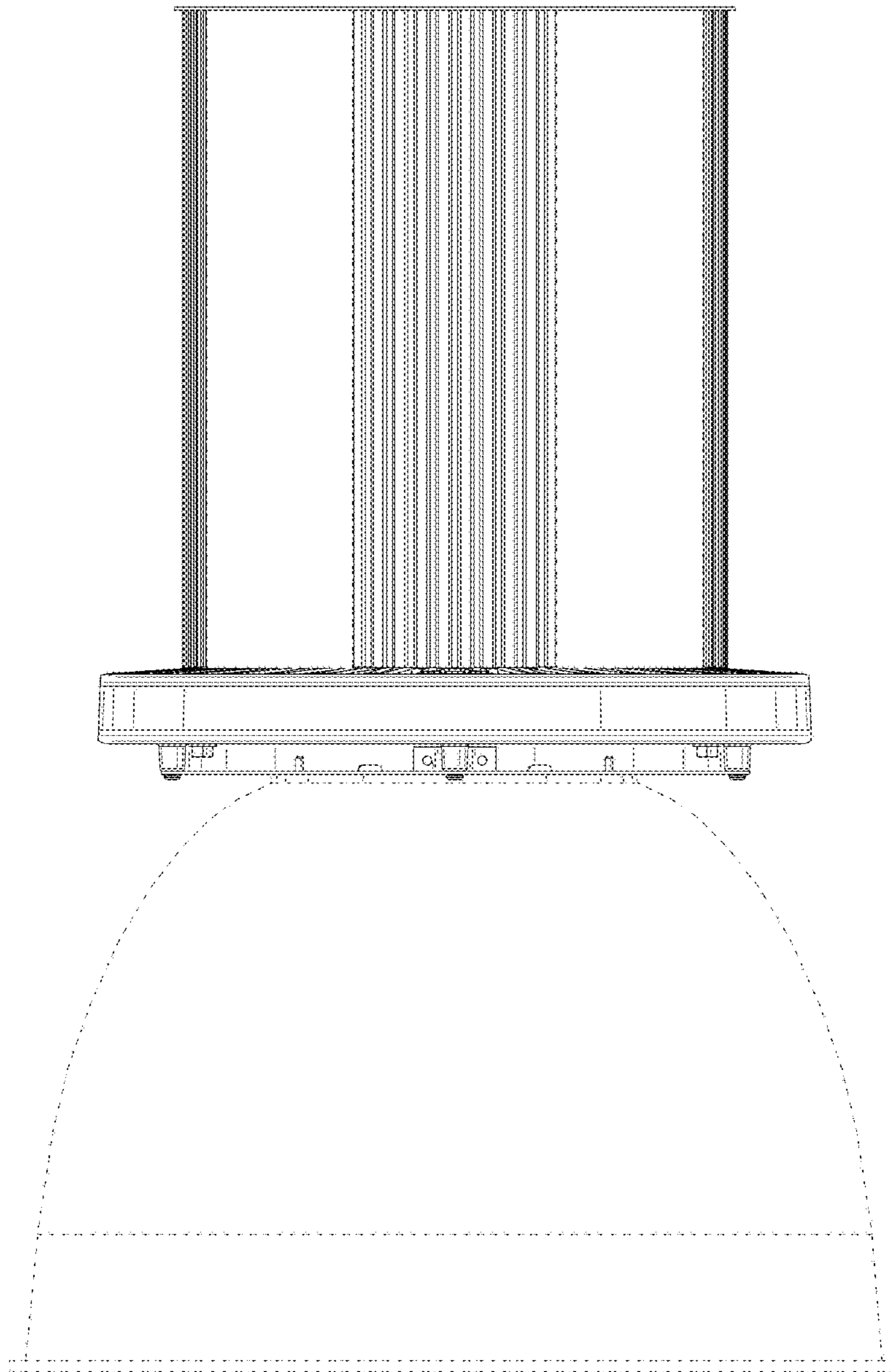


FIG. 3

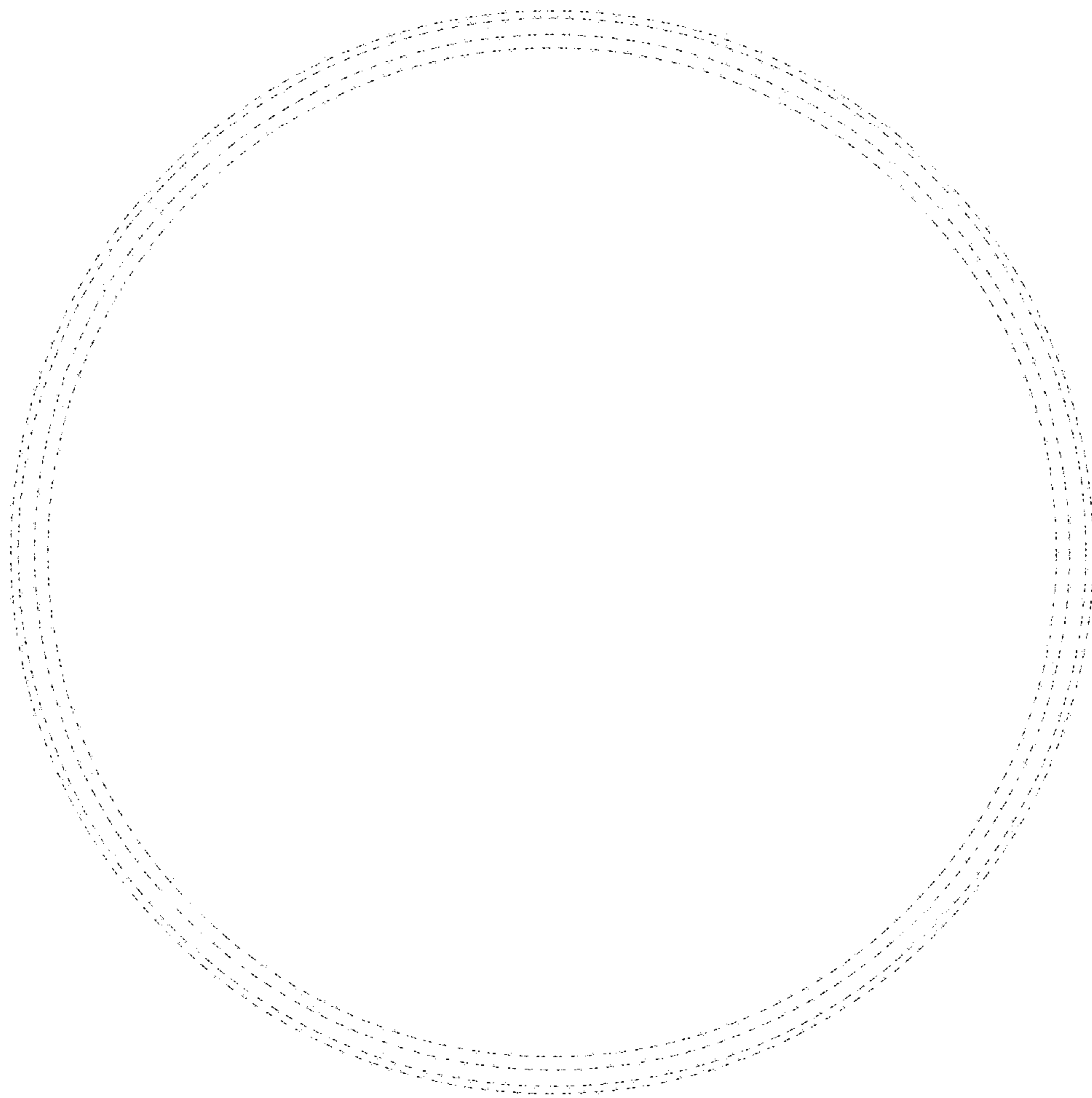


FIG. 4

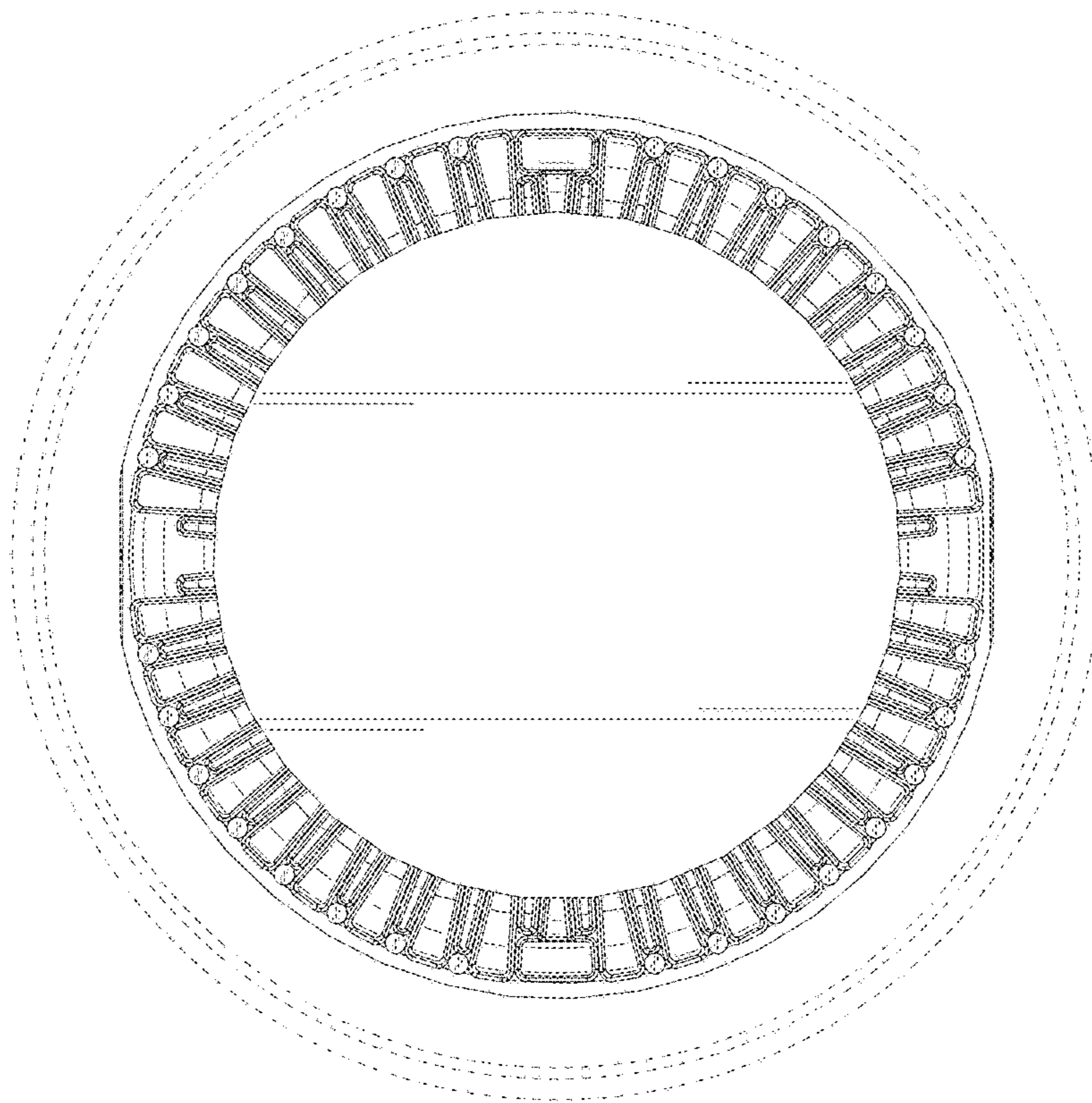


FIG. 5