



US00D860497S

(12) **United States Design Patent**
Zhu

(10) **Patent No.:** **US D860,497 S**

(45) **Date of Patent:** **** Sep. 17, 2019**

(54) **STREET LIGHT**

(71) Applicant: **Taizhou JiaoGuang Lighting Co., Ltd.**, Tiazhou (CN)

(72) Inventor: **Jianrong Zhu**, Irvine, CA (US)

(73) Assignee: **Taizhou JiaoGuang Lighting Co., Ltd.**, Taizhou (CN)

(**) Term: **15 Years**

(21) Appl. No.: **29/614,339**

(22) Filed: **Aug. 17, 2017**

(51) **LOC (12) Cl.** **26-05**

(52) **U.S. Cl.**
USPC **D26/71; D26/63**

(58) **Field of Classification Search**
USPC D26/63, 67-72, 92
CPC F21S 8/08; F21S 8/085; F21S 8/088; F21S 9/03; F21S 9/037; F21W 2111/02; F21W 2131/103; F21W 2131/107; F21V 29/76
See application file for complete search history.

(56) **References Cited**

U.S. PATENT DOCUMENTS

| | | | | |
|--------------|--------|------------|-------|--------|
| D607,593 S * | 1/2010 | Yoo | | D26/71 |
| D615,235 S * | 5/2010 | Zheng | | D26/63 |
| D634,873 S * | 3/2011 | Guercio | | D26/71 |
| D762,901 S * | 8/2016 | Boissevain | | D26/63 |

| | | | | |
|-------------------|---------|-----------|-------|--------------------------|
| D767,196 S * | 9/2016 | Duckworth | | D26/92 |
| D826,448 S * | 8/2018 | Wan | | D26/71 |
| D831,254 S * | 10/2018 | Pouladian | | D26/71 |
| D843,628 S * | 3/2019 | Compton | | D26/71 |
| 2009/0251898 A1 * | 10/2009 | Kinnune | | F21V 29/75 362/249.02 |
| 2014/0211470 A1 * | 7/2014 | Kinnune | | F21S 8/086 362/249.02 |
| 2014/0218941 A1 * | 8/2014 | Wilcox | | F21V 27/00 362/373 |
| 2015/0345772 A1 * | 12/2015 | Duckworth | | F21V 29/76 362/373 |
| 2018/0363894 A1 * | 12/2018 | Gabriel | | F21S 8/088 |

* cited by examiner

Primary Examiner — Clare E Heflin

(74) *Attorney, Agent, or Firm* — Michael D. Eisenberg

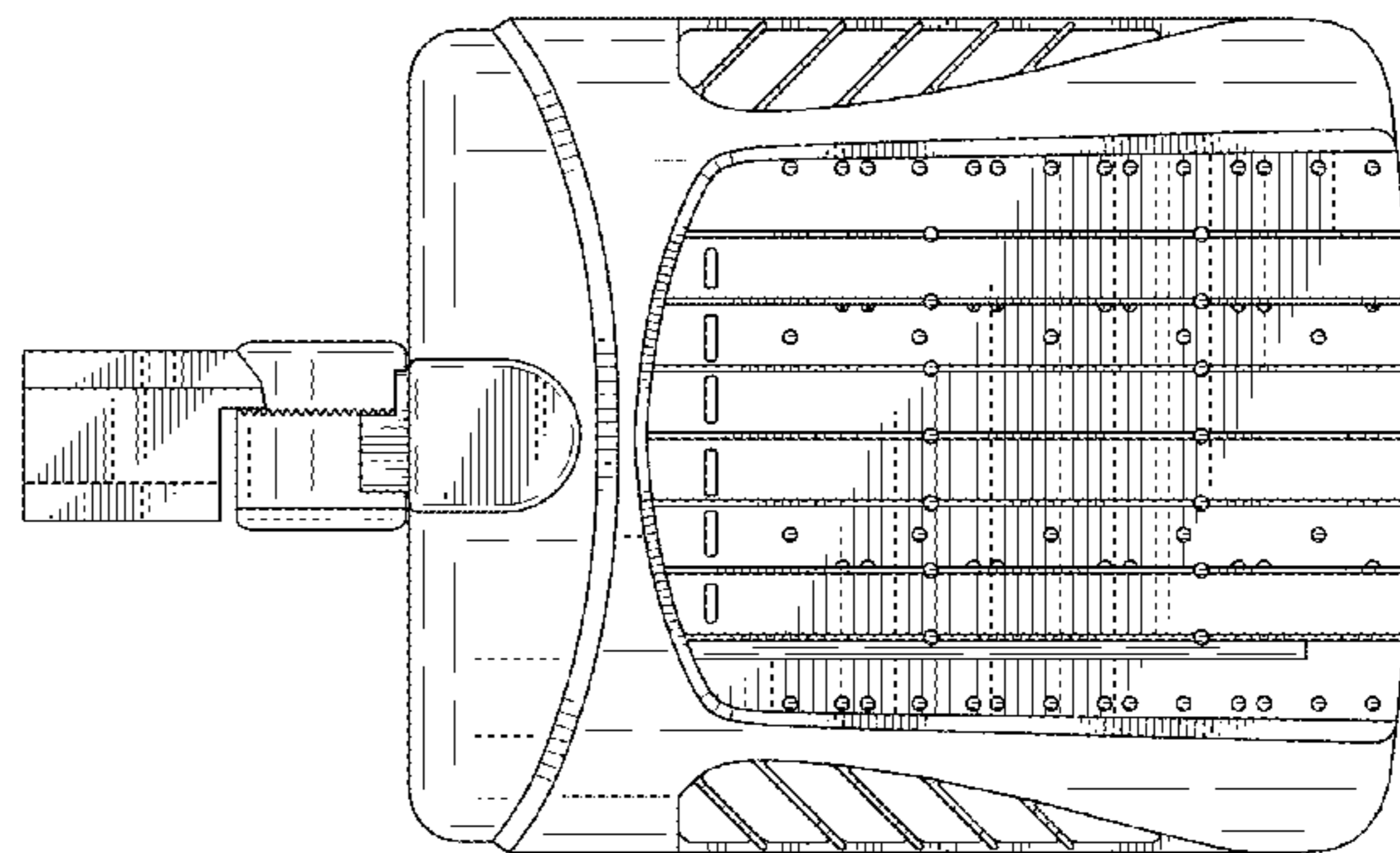
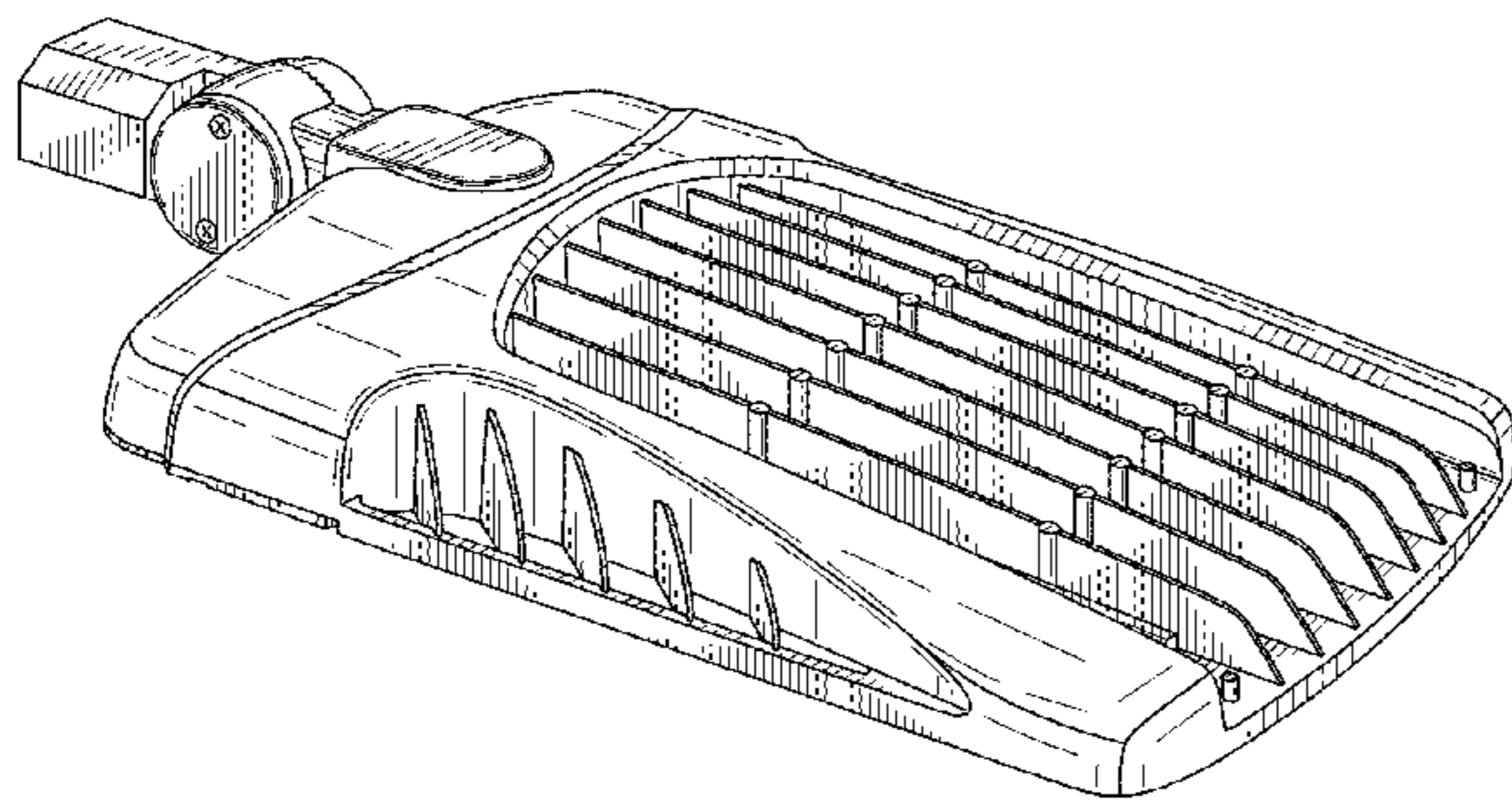
(57) **CLAIM**

The ornamental design for a street light, as shown and described.

DESCRIPTION

FIG. 1 is a perspective view of a street light showing my new design;
FIG. 2 is a top view of the street light;
FIG. 3 is a right side view of the street light;
FIG. 4 is a rear view of the street light;
FIG. 5 is a left side view of the street light;
FIG. 6 is a front view of the street light; and,
FIG. 7 is a bottom view of the street light.

1 Claim, 3 Drawing Sheets



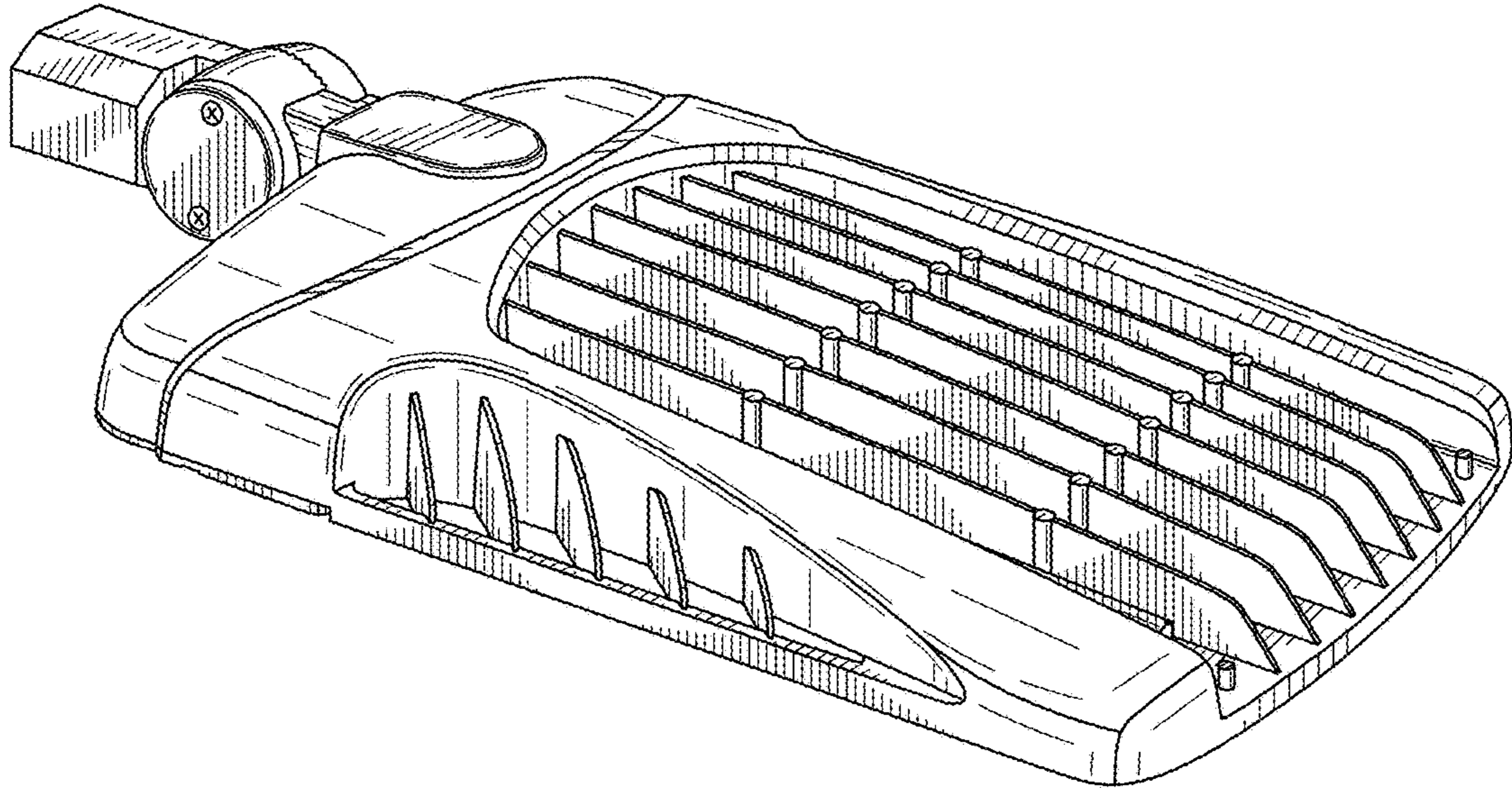


FIG. 1

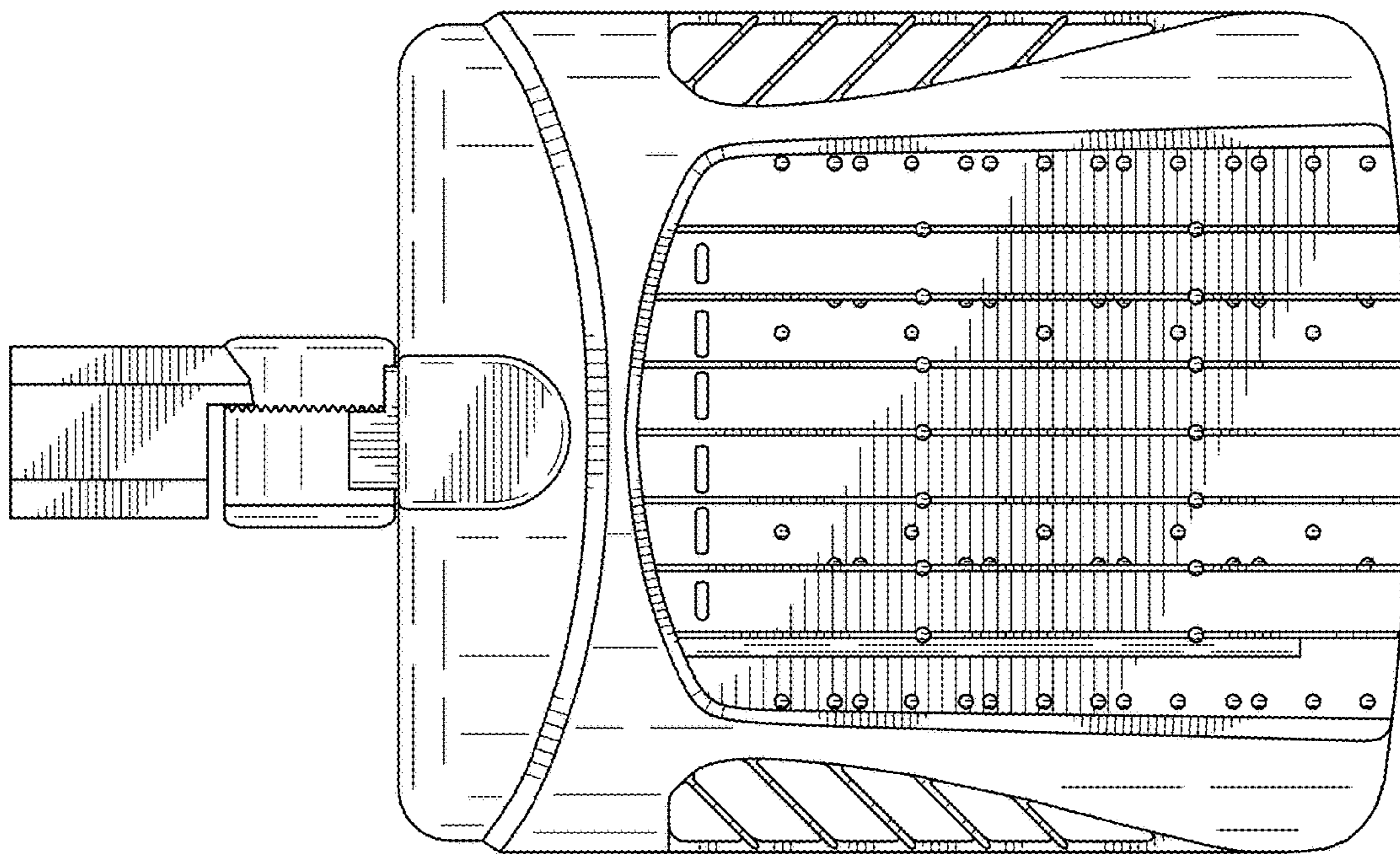


FIG. 2

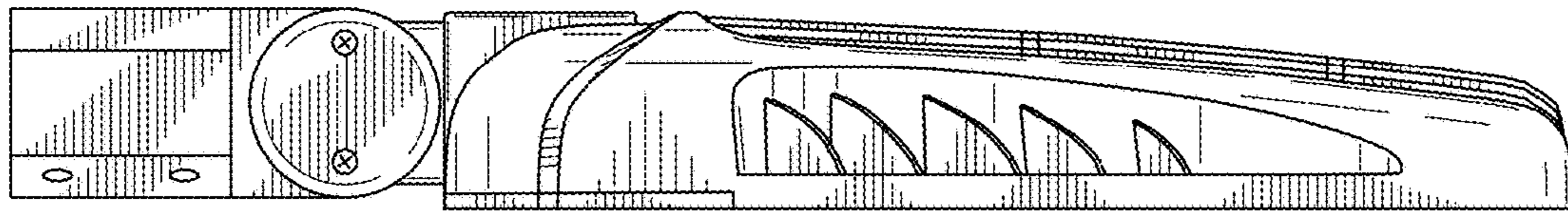


FIG. 3

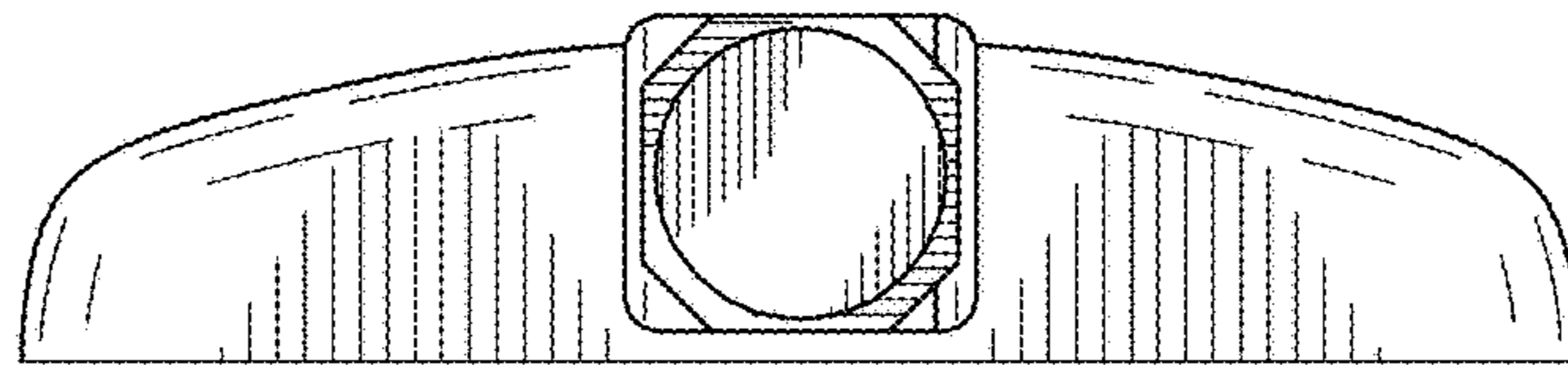


FIG. 4

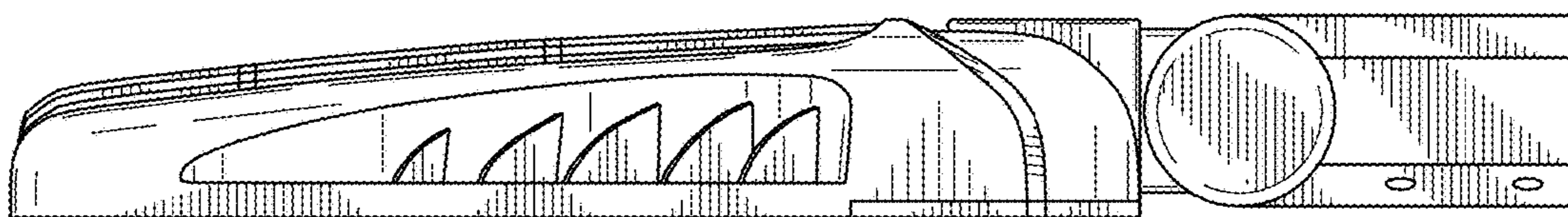


FIG. 5

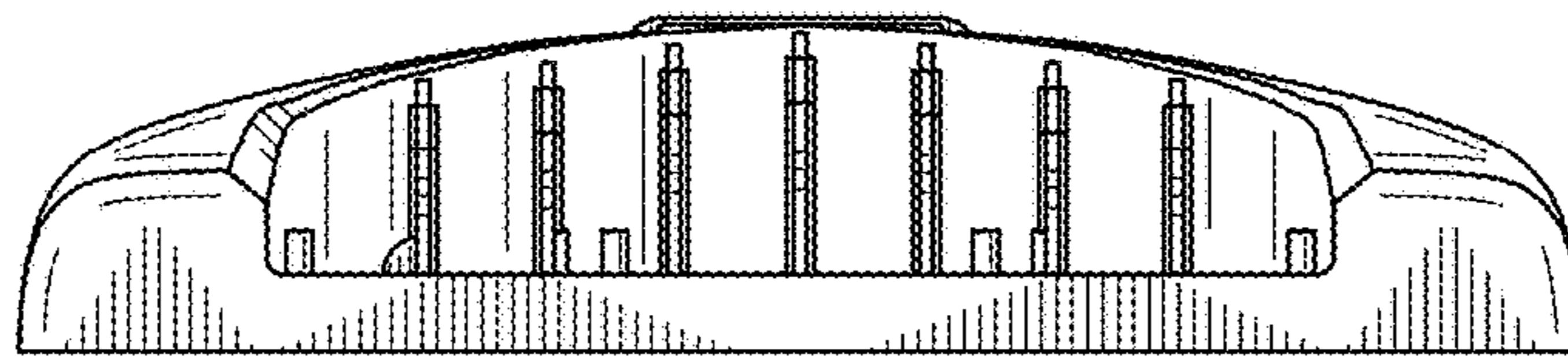


FIG. 6

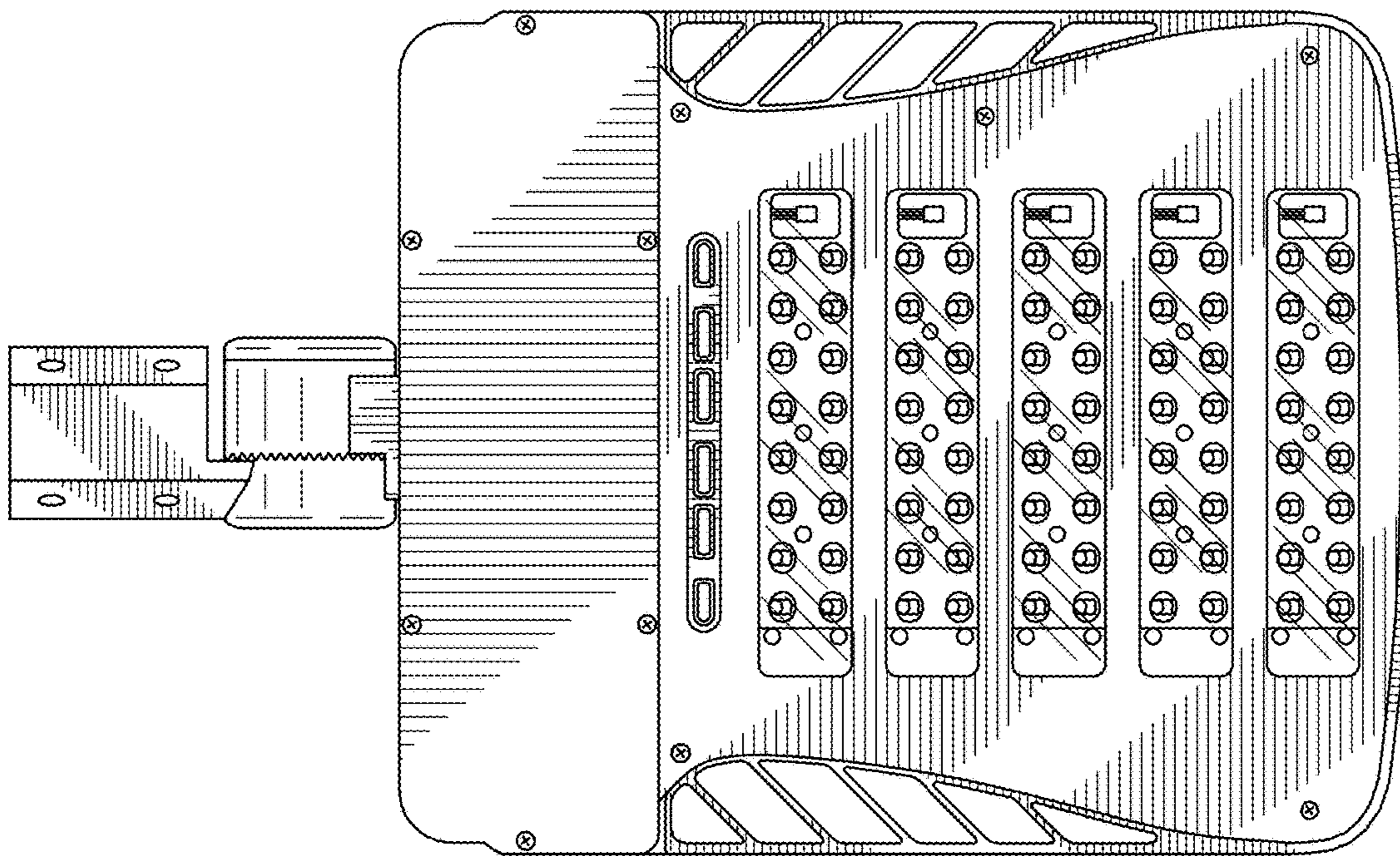


FIG. 7