



US00D860495S

(12) **United States Design Patent**
Waldmann

(10) **Patent No.:** **US D860,495 S**

(45) **Date of Patent:** **** Sep. 17, 2019**

(54) **LAMPS WITH MAGNIFYING GLASS**

(71) Applicant: **HERBERT WALDMANN GMBH & CO. KG**, Villingen-Schwenningen (DE)

(72) Inventor: **Gerhard Waldmann**, Stein am Rhein (CH)

(73) Assignee: **HERBERT WALDMANN GMBH & CO. KG**, Villingen, Schwenningen (DE)

(**) Term: **15 Years**

(21) Appl. No.: **29/631,193**

(22) Filed: **Dec. 28, 2017**

Related U.S. Application Data

(62) Division of application No. 35/501,917, filed on Oct. 26, 2016 (U.S. filing date under 35 U.S.C. 384), and having an international filing date of Oct. 26, 2016, now abandoned.

(51) **LOC (12) Cl.** **26-03**

(52) **U.S. Cl.**
USPC **D26/65**

(58) **Field of Classification Search**
USPC D26/26, 37, 39, 44, 57, 73, 60-65
CPC F21S 4/00; B62J 6/001; B62J 6/02; B62J 6/003

See application file for complete search history.

(56) **References Cited**

U.S. PATENT DOCUMENTS

D284,087 S * 6/1986 Haidinger D16/135
D295,287 S * 4/1988 Krogsrud D16/135

D319,889 S * 9/1991 Lu D16/135
D457,671 S * 5/2002 Jacquelin D26/51
D505,219 S * 5/2005 Jacquelin D26/51
D597,239 S * 7/2009 Hodgson D26/65
D597,240 S * 7/2009 Hodgson D26/65
D644,367 S * 8/2011 Fu D26/65
D644,368 S * 8/2011 Fu D26/65

OTHER PUBLICATIONS

Waldmann, "Ald Universalleuchte," Leaflet Universal Luminaire, www.waldmann.com, 2 pps.

"iQ Lupenleuchte," iQ Lupenleuchte—Lupenleuchten—Produkttyp, IQ-magnifier lamp, <https://de.daylightcompany.co.uk/product-type/magnifiers/iq-magnifier-lamp-grey.html>, Feb. 19, 2018, 2 pps.

* cited by examiner

Primary Examiner — Zenia I Bennett

(74) *Attorney, Agent, or Firm* — Muirhead and Saturnelli, LLC

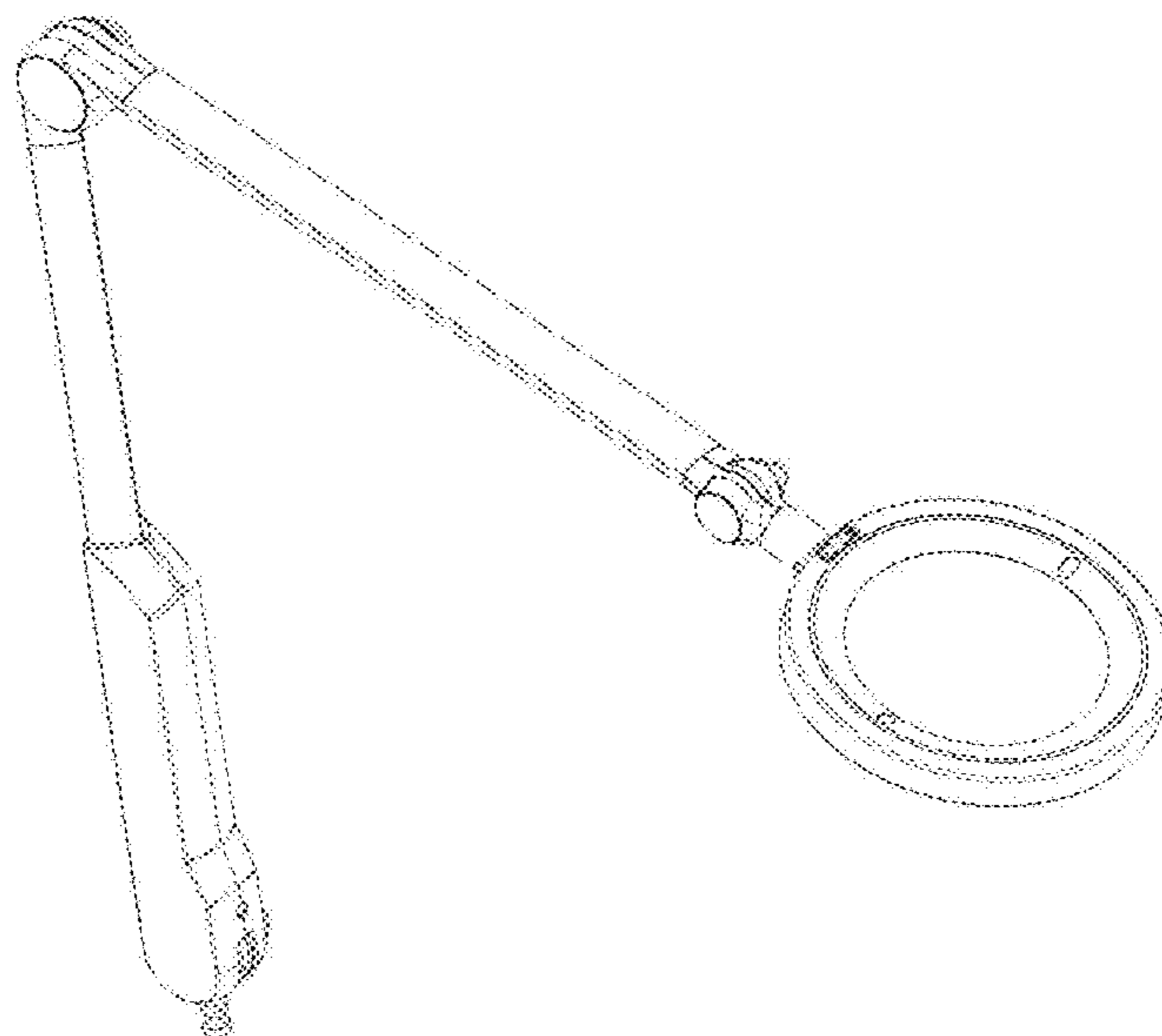
(57) **CLAIM**

The ornamental design for a lamp with magnifying glass, as shown and described.

DESCRIPTION

FIG. 1 is a Back view
FIG. 2 is a Top view
FIG. 3 is a Bottom view
FIG. 4 is a Left view
FIG. 5 is a Right view
FIG. 6 is a Perspective view; and,
FIG. 7 is a Front view.

1 Claim, 7 Drawing Sheets



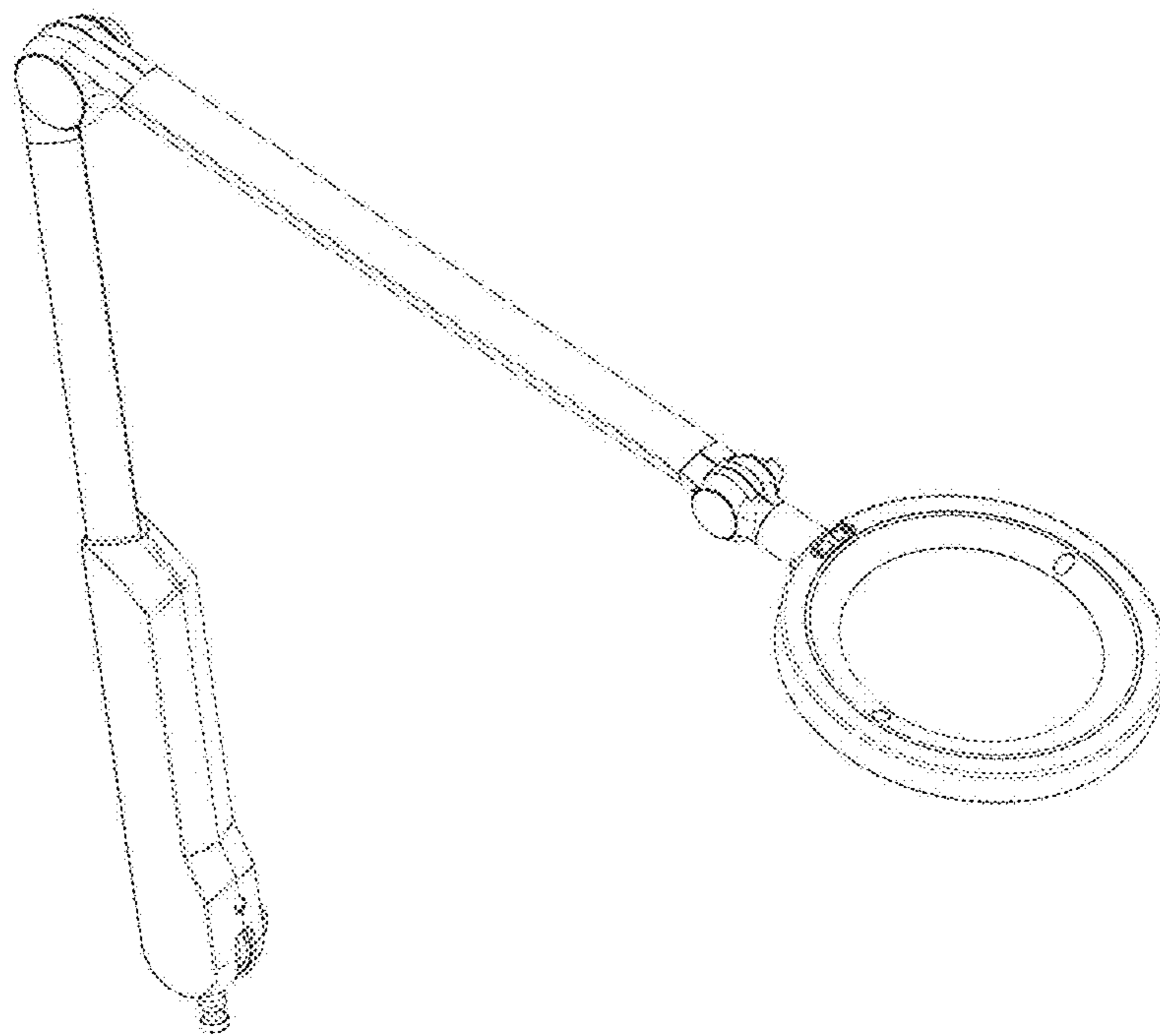


FIG. 1

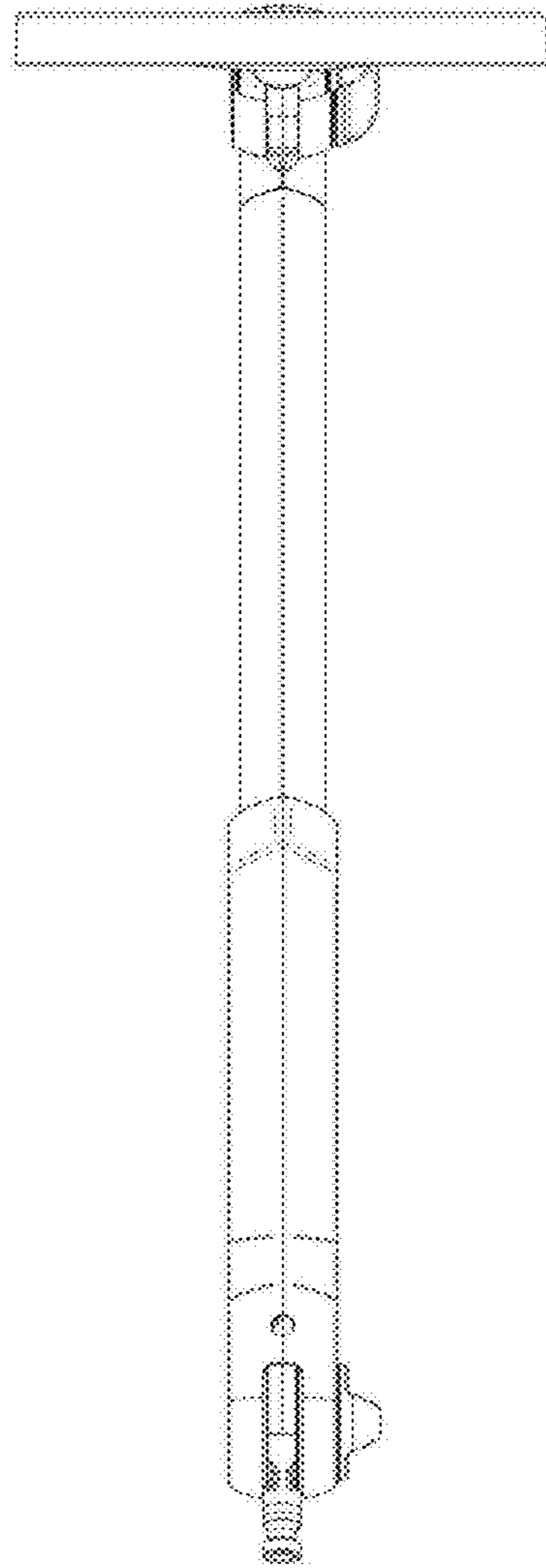


FIG. 2

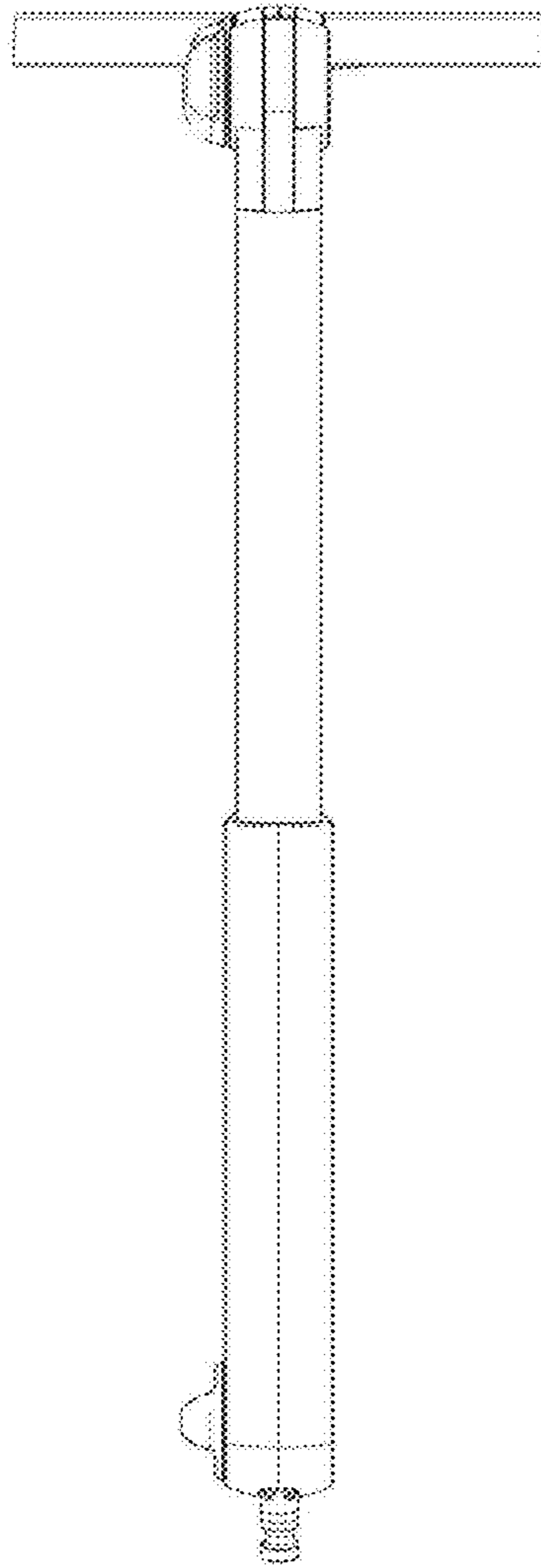


FIG. 3

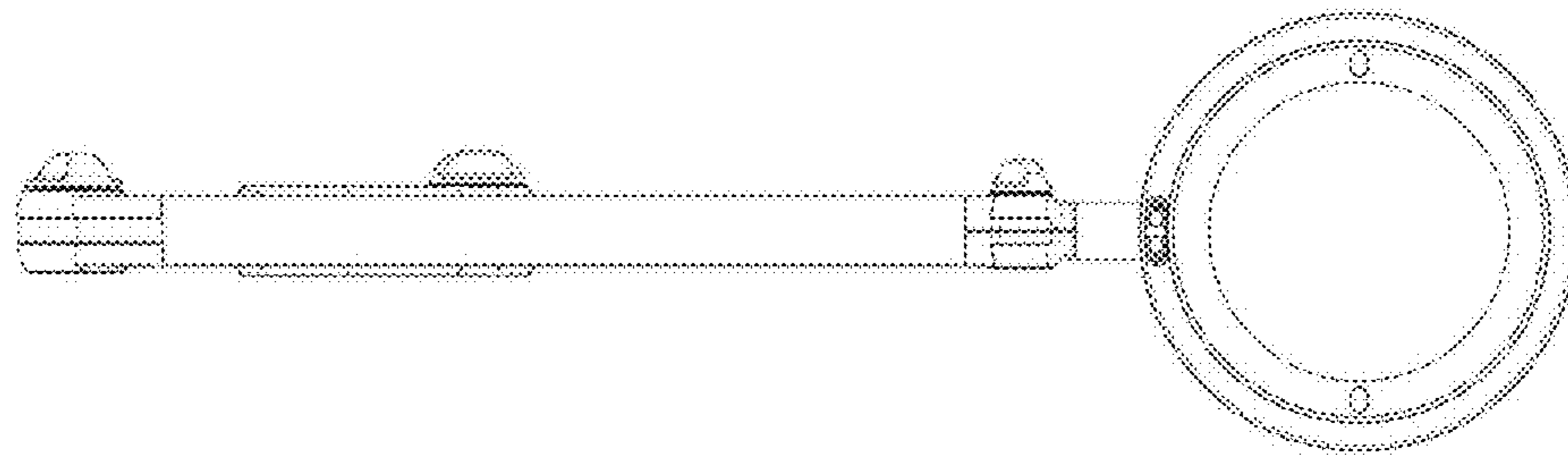


FIG. 4

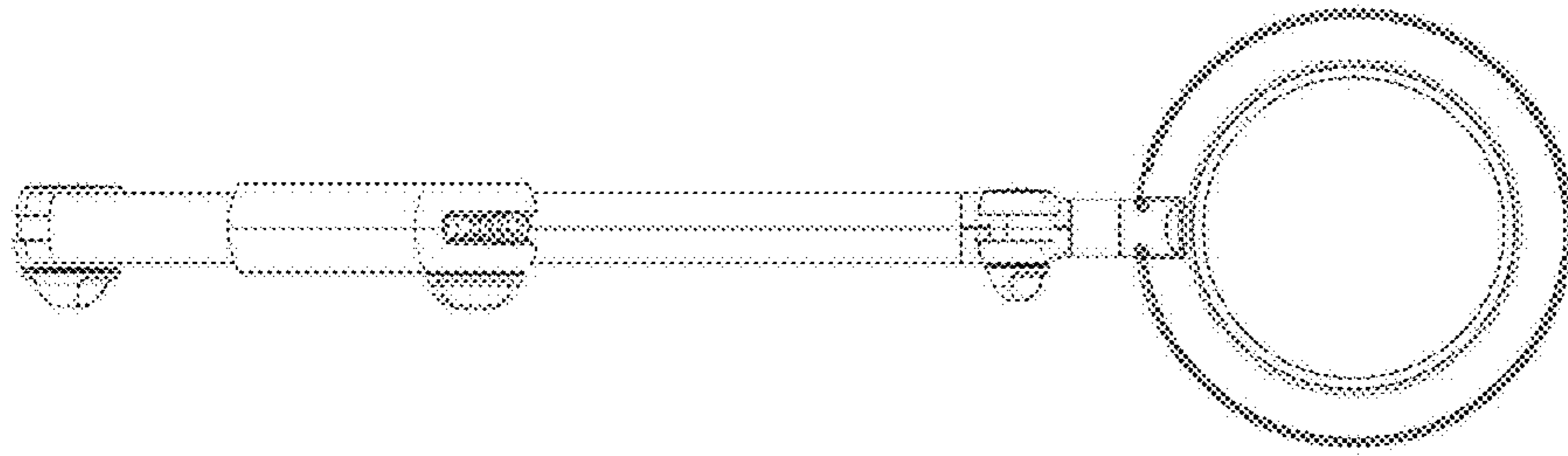


FIG. 5

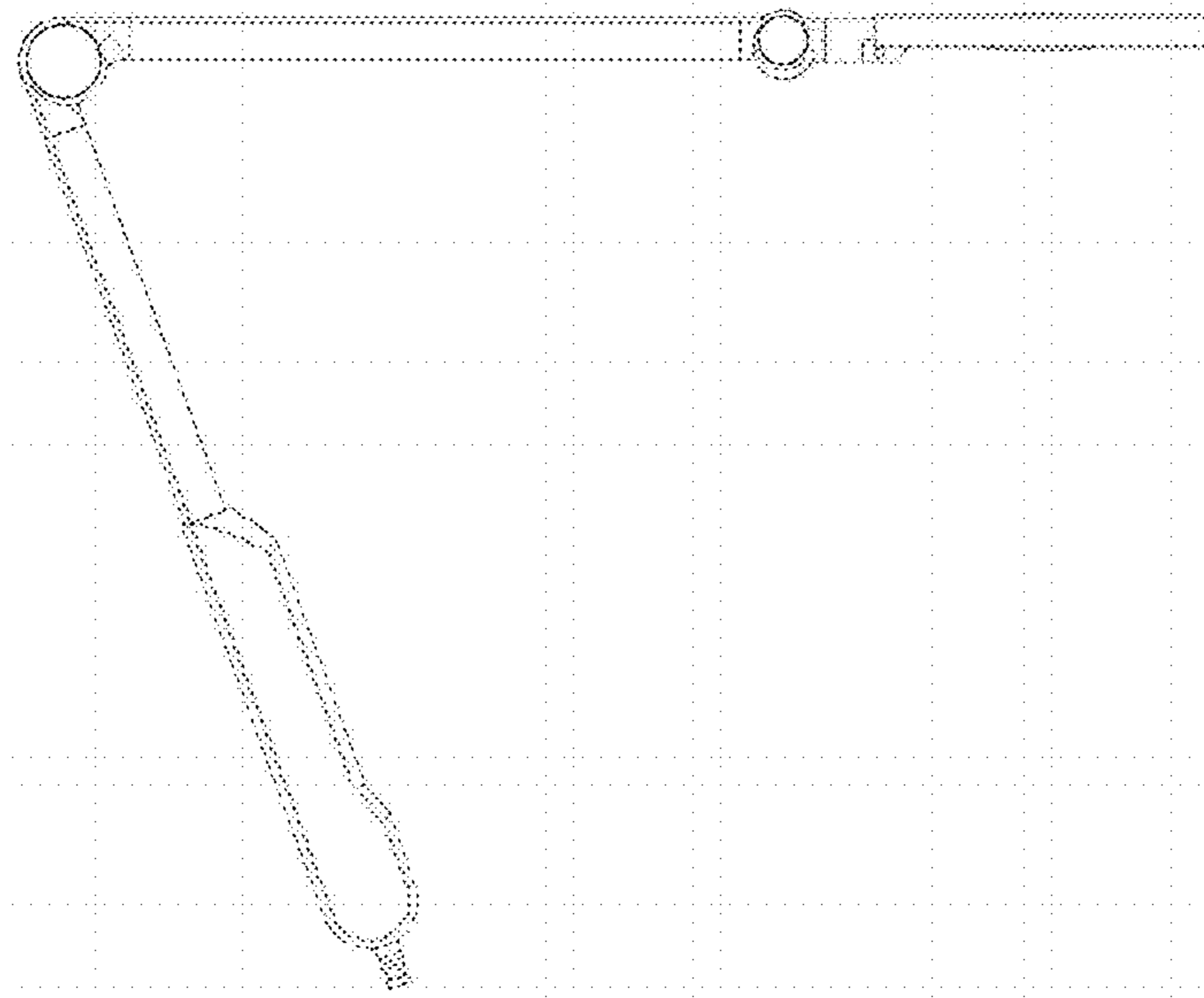


FIG. 6

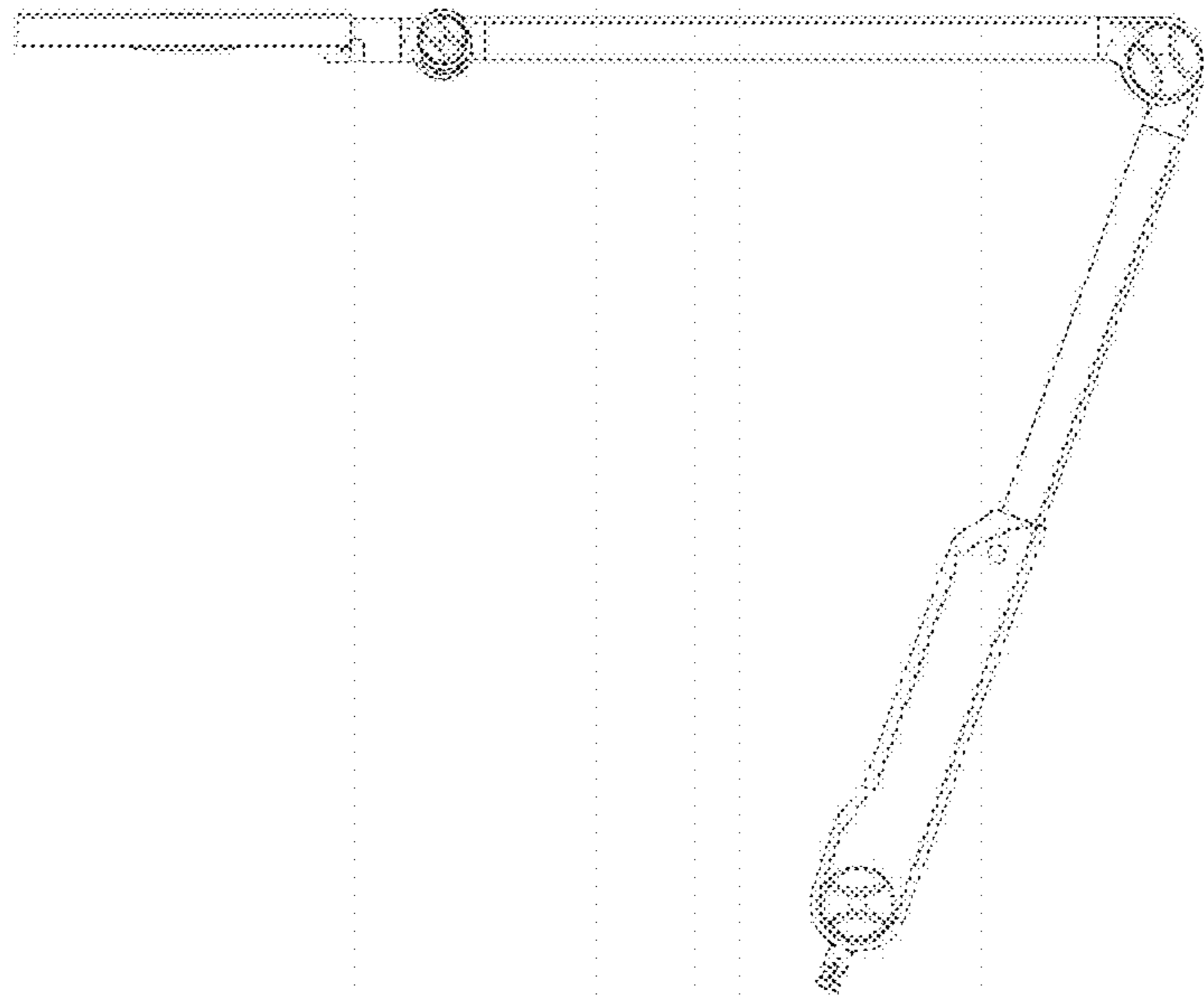


FIG. 7