

US00D860492S

(12) **United States Design Patent** (10) **Patent No.:** **US D860,492 S**
Wang (45) **Date of Patent:** **** Sep. 17, 2019**

(54) **LED ROTATING NIGHT LIGHT**
 (71) Applicant: **Xiaodong Wang**, Henan (CN)
 (72) Inventor: **Xiaodong Wang**, Henan (CN)
 (**) Term: **15 Years**

(21) Appl. No.: **29/612,978**
 (22) Filed: **Aug. 6, 2017**
 (51) **LOC (12) Cl.** **26-03**
 (52) **U.S. Cl.**
 USPC **D26/41**
 (58) **Field of Classification Search**
 USPC D26/37, 39, 40, 41, 42, 43, 44, 46, 50,
 D26/63
 CPC F21L 2003/00; F21L 4/00; F21L 4/005;
 F21L 4/02; F21L 4/025; F21L 4/027;
 F21L 4/04; F21L 4/08; F21L 2005/00;
 F21L 7/00; F21L 11/00; F21L 13/00;
 F21L 13/04; F21L 13/08; F21L 14/02;
 F21L 17/00; F21L 19/00; F21V 5/04
 See application file for complete search history.

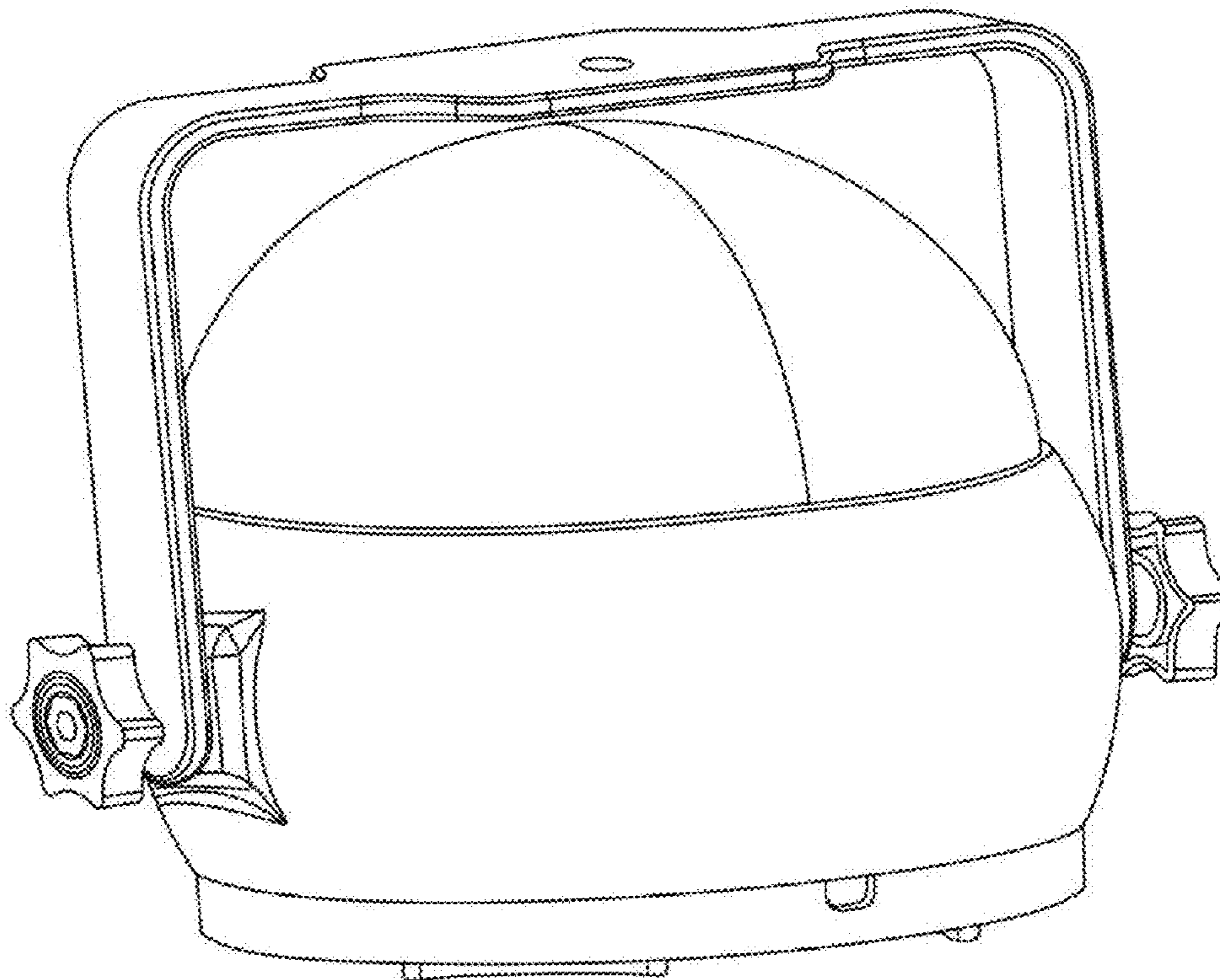
(56) **References Cited**
 U.S. PATENT DOCUMENTS
 D407,512 S * 3/1999 Yuen D26/41
 9,267,660 B1 * 2/2016 Wang F21V 5/04
 D783,872 S * 4/2017 Aksnes D26/41
 D791,992 S * 7/2017 Hsu D26/41

* cited by examiner
Primary Examiner — Brian N. Vinson

(57) **CLAIM**
 I claim the ornamental design for an LED rotating night light, as shown and described.

DESCRIPTION
 FIG. 1 is a perspective view of LED rotating night light showing my new design;
 FIG. 2 is a front elevational view thereof;
 FIG. 3 is a rear elevational view thereof;
 FIG. 4 is a left side elevational view thereof;
 FIG. 5 is a right side elevational view thereof;
 FIG. 6 is a top plan view thereof; and,
 FIG. 7 is a bottom plan view thereof.

1 Claim, 7 Drawing Sheets



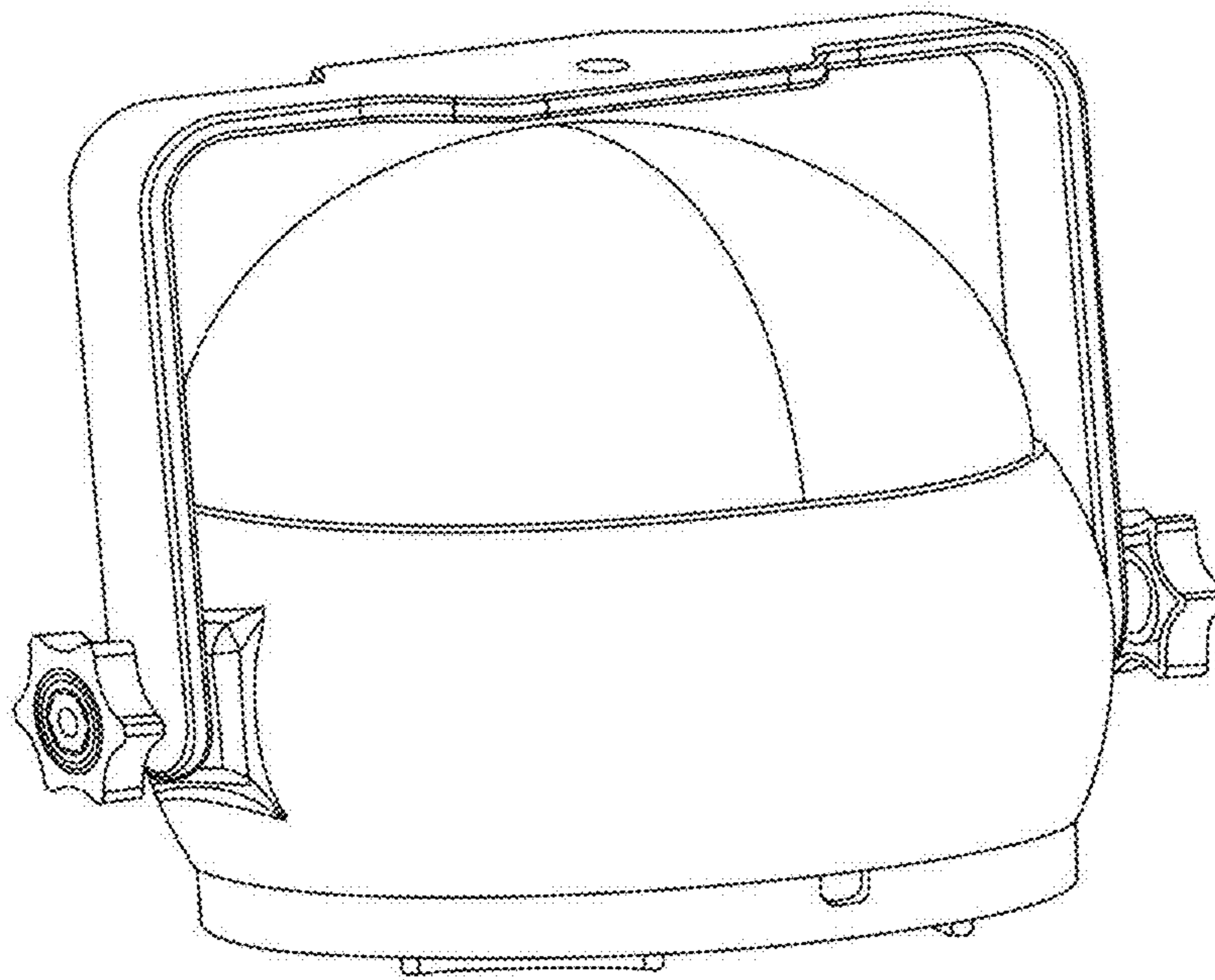


FIG.1

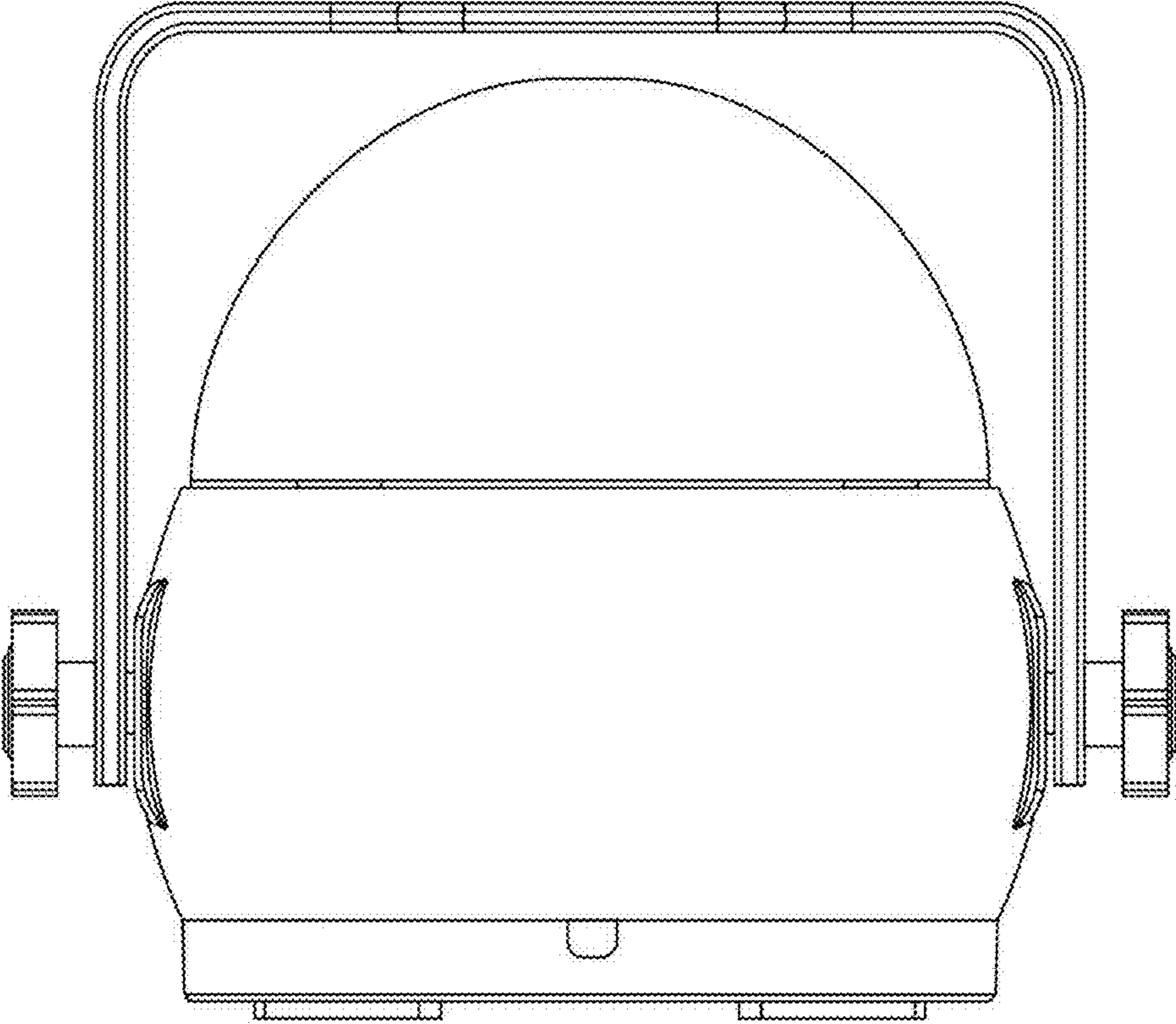


FIG.2

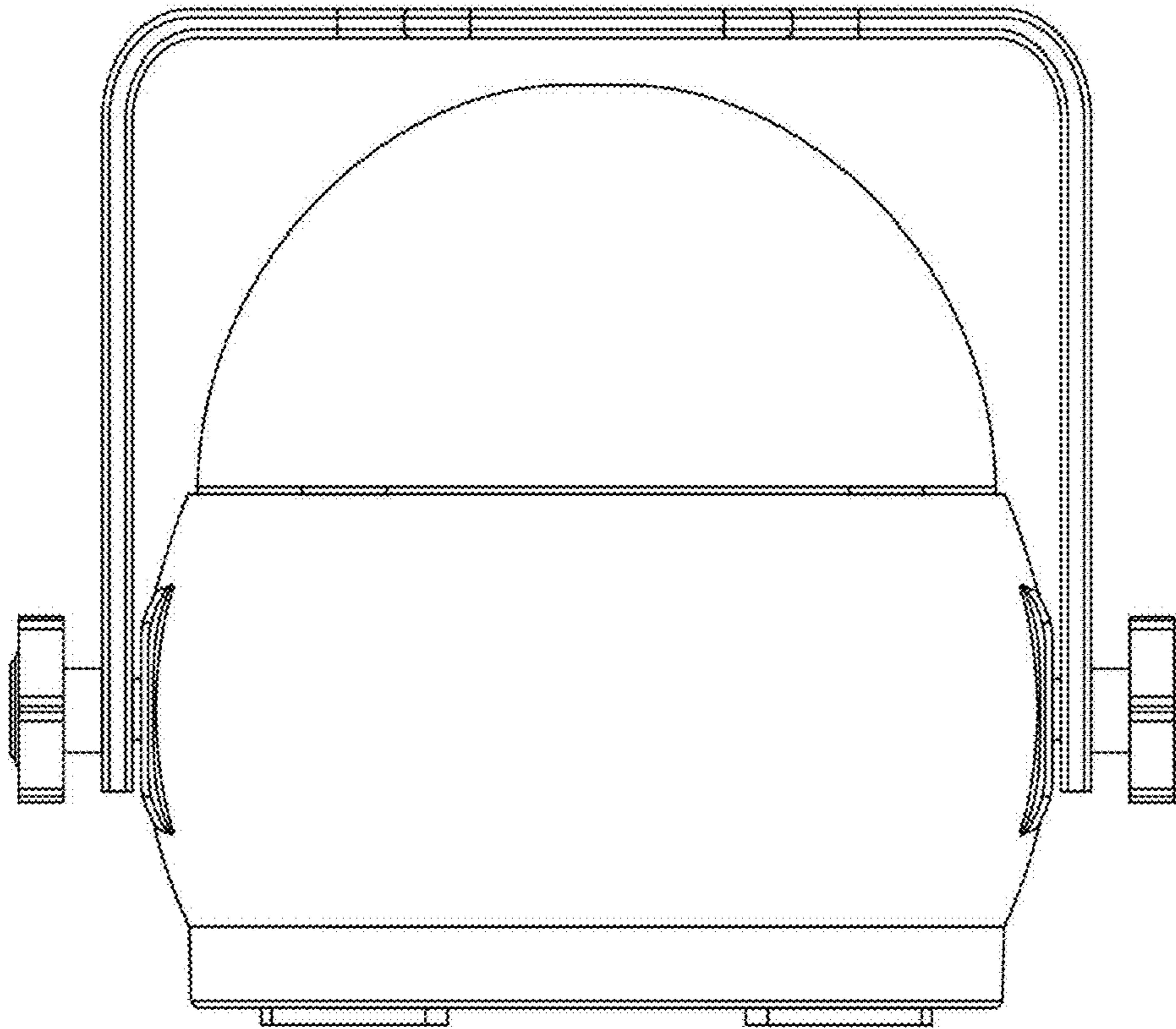


FIG.3

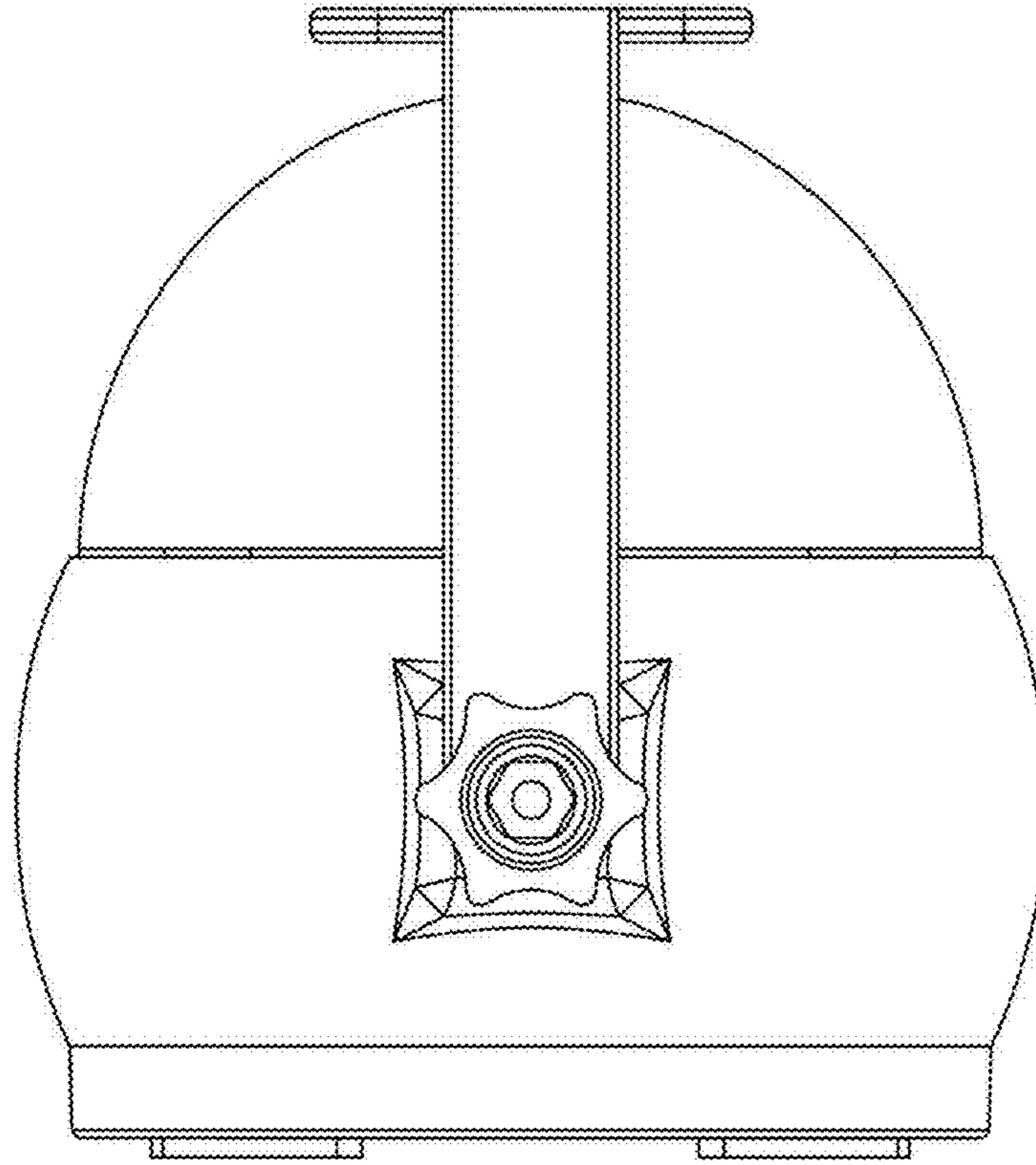


FIG.4

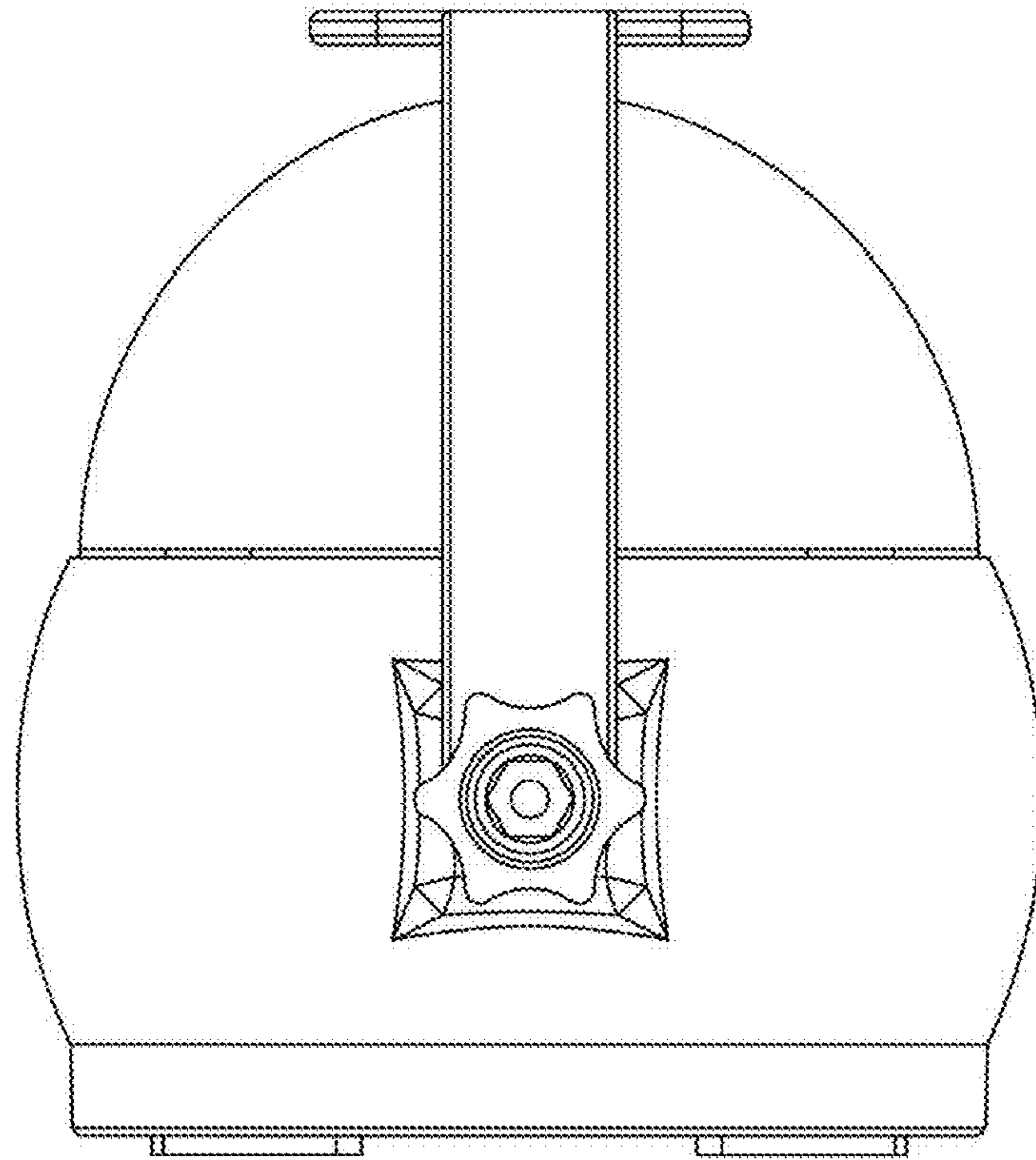


FIG.5

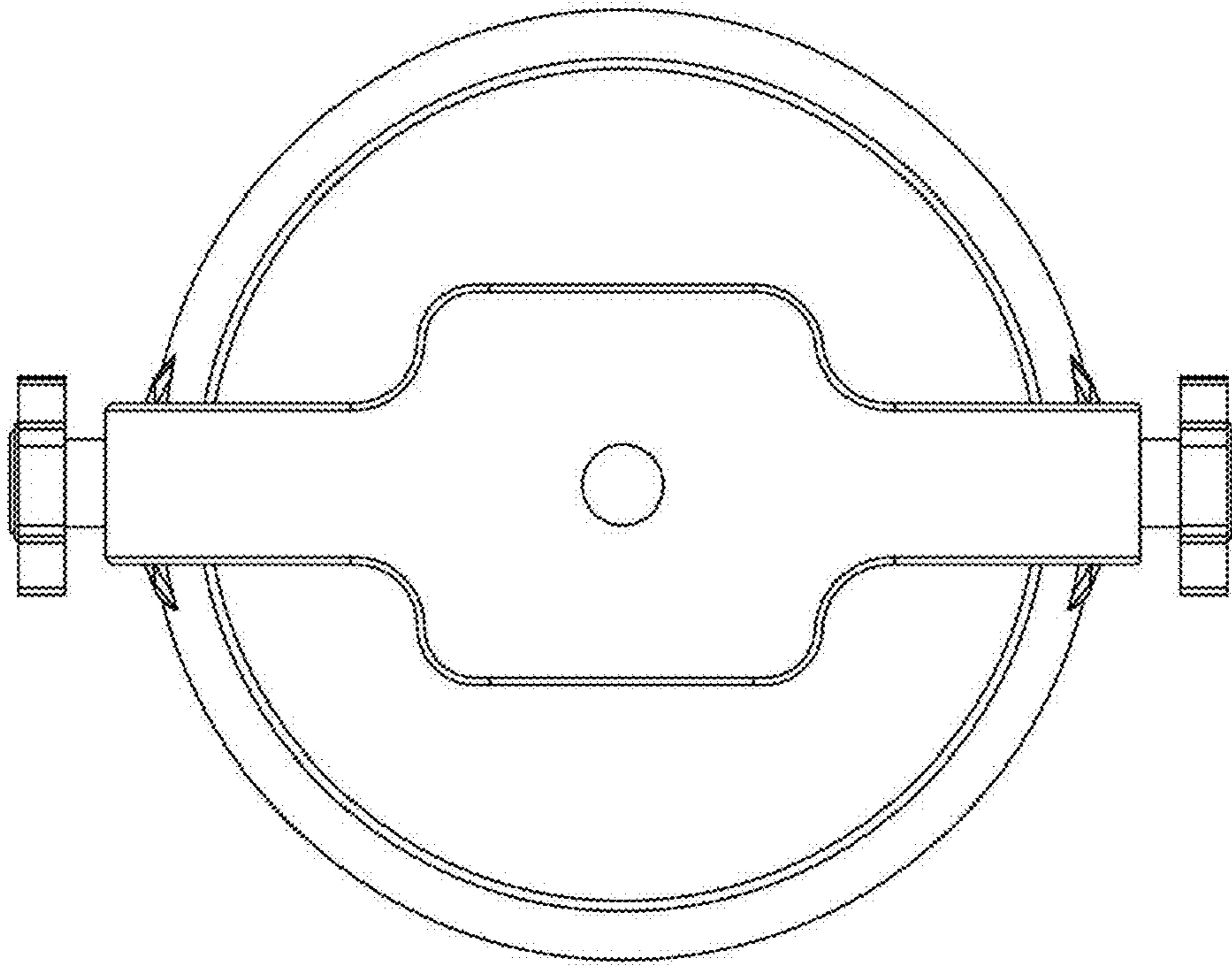


FIG.6

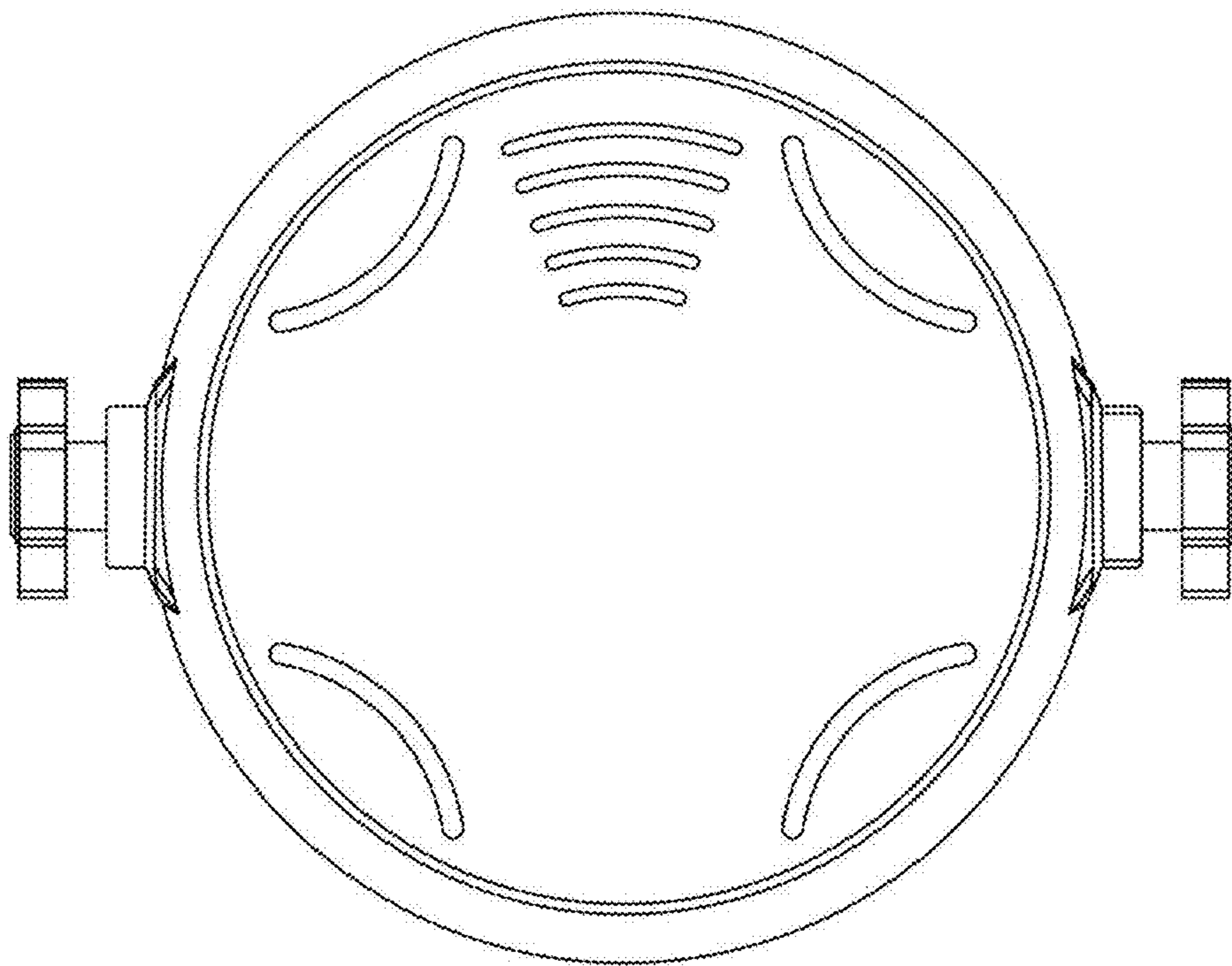


FIG. 7