



US00D860488S

(12) **United States Design Patent** (10) **Patent No.:** **US D860,488 S**
Cote et al. (45) **Date of Patent:** **** Sep. 17, 2019**

(54) **HEADLIGHT**

(71) Applicant: **BOMBARDIER RECREATIONAL PRODUCTS INC., Valcourt (CA)**

(72) Inventors: **Andre Cote, Sherbrooke (CA); Emmanuel Rius, Sherbrooke (CA); Stephane Sanschagrin, Drummondville (CA); Christian Lepine, Bromont (CA)**

(73) Assignee: **BOMBARDIER RECREATIONAL PRODUCTS INC., Valcourt (CA)**

(**) Term: **15 Years**

(21) Appl. No.: **29/641,142**

(22) Filed: **Mar. 20, 2018**

(51) **LOC (12) Cl.** **26-06**

(52) **U.S. Cl.**
USPC **D26/28**

(58) **Field of Classification Search**
USPC D26/28-36, 139
CPC F21S 48/00; F21S 48/10; F21S 48/115;
F21S 48/225; F21S 48/1233; F21S 48/1266; F21S 48/1388; F21S 48/2268;
F21V 13/00; F21V 21/04; F21V 29/004
See application file for complete search history.

(56) **References Cited**

U.S. PATENT DOCUMENTS

| | | | | |
|-----------|-----|---------|----------------|--------|
| 4,787,470 | A | 11/1988 | Badsey | |
| 6,015,022 | A | 1/2000 | Thuliez | |
| D449,018 | S | 10/2001 | Musser | |
| D485,788 | S | 1/2004 | Guay | |
| D506,842 | S * | 6/2005 | Nagura | D26/28 |
| D524,466 | S * | 7/2006 | Essig | D26/28 |
| D536,186 | S | 2/2007 | Crepeau et al. | |
| D542,442 | S * | 5/2007 | Matsunami | D26/28 |
| D552,768 | S * | 10/2007 | Leclercq | D26/28 |
| D557,646 | S | 12/2007 | Portelance | |
| D570,007 | S * | 5/2008 | Hsu | D26/28 |

| | | | |
|----------|---|---------|----------------|
| D580,836 | S | 11/2008 | Longpre et al. |
| D581,319 | S | 11/2008 | Longpre et al. |
| D581,320 | S | 11/2008 | Longpre et al. |
| D581,685 | S | 12/2008 | Longpre et al. |
| D581,846 | S | 12/2008 | Longpre et al. |
| D582,823 | S | 12/2008 | Longpre et al. |

(Continued)

Primary Examiner — Marcus A Jackson
(74) *Attorney, Agent, or Firm* — BCF LLP

(57) **CLAIM**

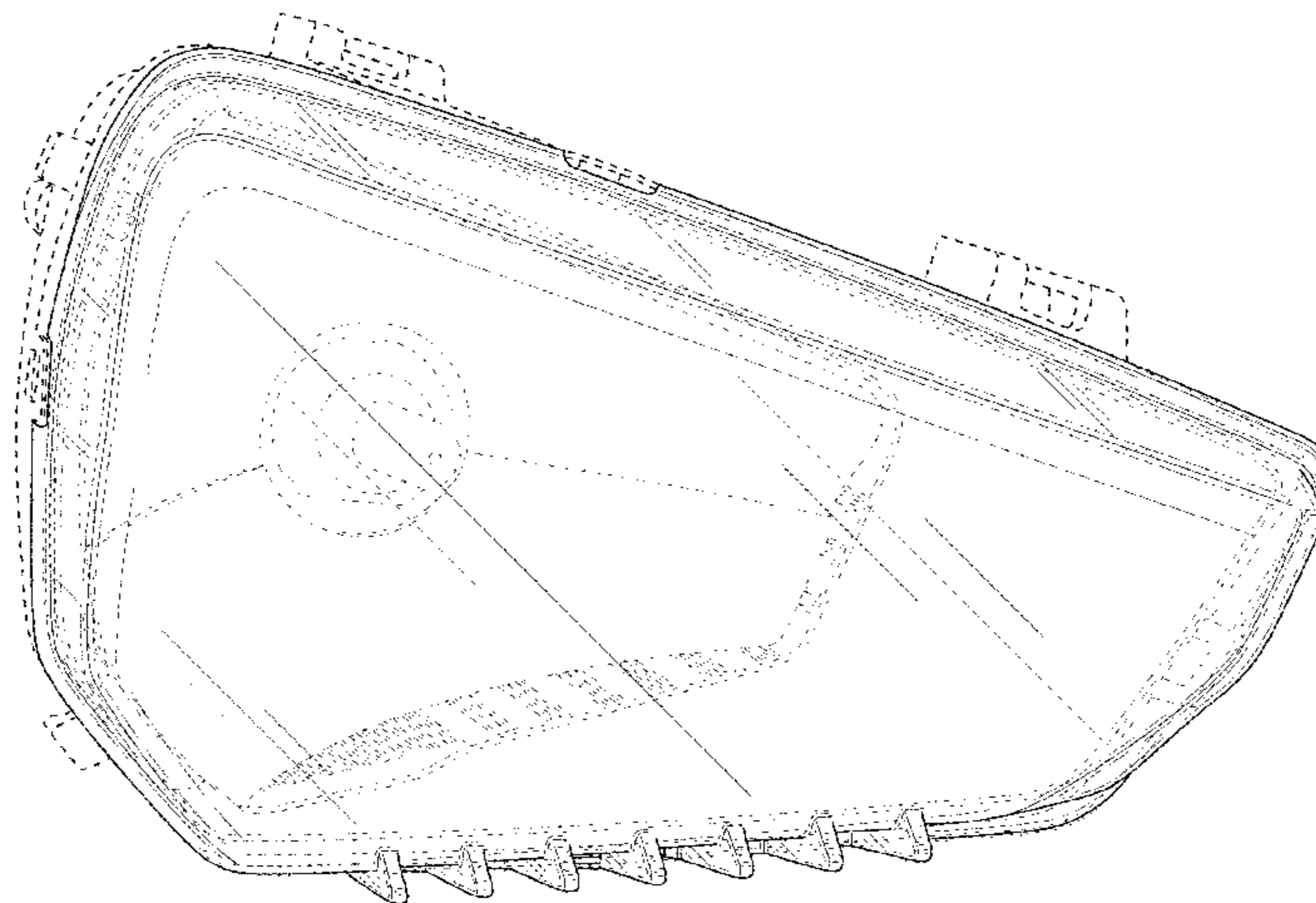
The ornamental design for a headlight, as shown and described.

DESCRIPTION

FIG. 1 is a perspective view taken from a front, right side of a headlight according to a first embodiment of our design; FIG. 2 is a front elevation view thereof; FIG. 3 is a right side elevation view thereof; FIG. 4 is a left side elevation view thereof; FIG. 5 is a top plan view thereof; FIG. 6 is a bottom plan view thereof; FIG. 7 is a perspective view of a second embodiment of the headlight, with the headlight for the opposite side of the vehicle being depicted in the first embodiment; FIG. 8 is a front elevation view thereof; FIG. 9 is a right side elevation view thereof; FIG. 10 is a left side elevation view thereof; FIG. 11 is a top plan view thereof; and, FIG. 12 is a bottom plan view thereof.

In the Figures, the dashed lines showing additional structure of the headlight are for illustrative purposes only and form no part of the claimed design. The inventors anticipate that the claimed design can be any part, portion, element or combination of elements of the headlight shown in the Figures. The claimed design is intended to cover any physical, digital and virtual representation of the design illustrated in the Figures.

1 Claim, 12 Drawing Sheets



(56)

References Cited

U.S. PATENT DOCUMENTS

| | | |
|-----------------|---------|----------------|
| D584,188 S | 1/2009 | Jenkins |
| D589,844 S | 4/2009 | Aube |
| D593,455 S | 6/2009 | Longpre et al. |
| D593,908 S | 6/2009 | Longpre |
| D593,912 S | 6/2009 | Longpre et al. |
| D596,081 S | 7/2009 | Longpre |
| D598,328 S | 8/2009 | Lambri |
| D603,775 S | 11/2009 | Longpre et al. |
| D611,391 S | 3/2010 | Bourgeois |
| D626,900 S | 11/2010 | Guay et al. |
| D627,263 S | 11/2010 | Guay |
| D627,269 S | 11/2010 | Deluy et al. |
| D627,282 S | 11/2010 | Deluy et al. |
| D628,129 S | 11/2010 | Longpre et al. |
| D629,724 S | 12/2010 | Guay et al. |
| D629,726 S | 12/2010 | Guay et al. |
| D631,803 S | 2/2011 | Guay et al. |
| 7,891,455 B2 | 2/2011 | Feutz |
| D656,435 S | 3/2012 | Lambri |
| D682,158 S | 5/2013 | Canni |
| D689,794 S | 9/2013 | Bracy |
| 8,544,587 B2 | 10/2013 | Holroyd |
| D702,166 S | 4/2014 | Deluy et al. |
| D774,945 S | 12/2016 | Frahm |
| D788,648 S | 6/2017 | Rudwal et al. |
| 2007/0256882 A1 | 11/2007 | Bedard |
| 2009/0224497 A1 | 9/2009 | Seiter |

* cited by examiner

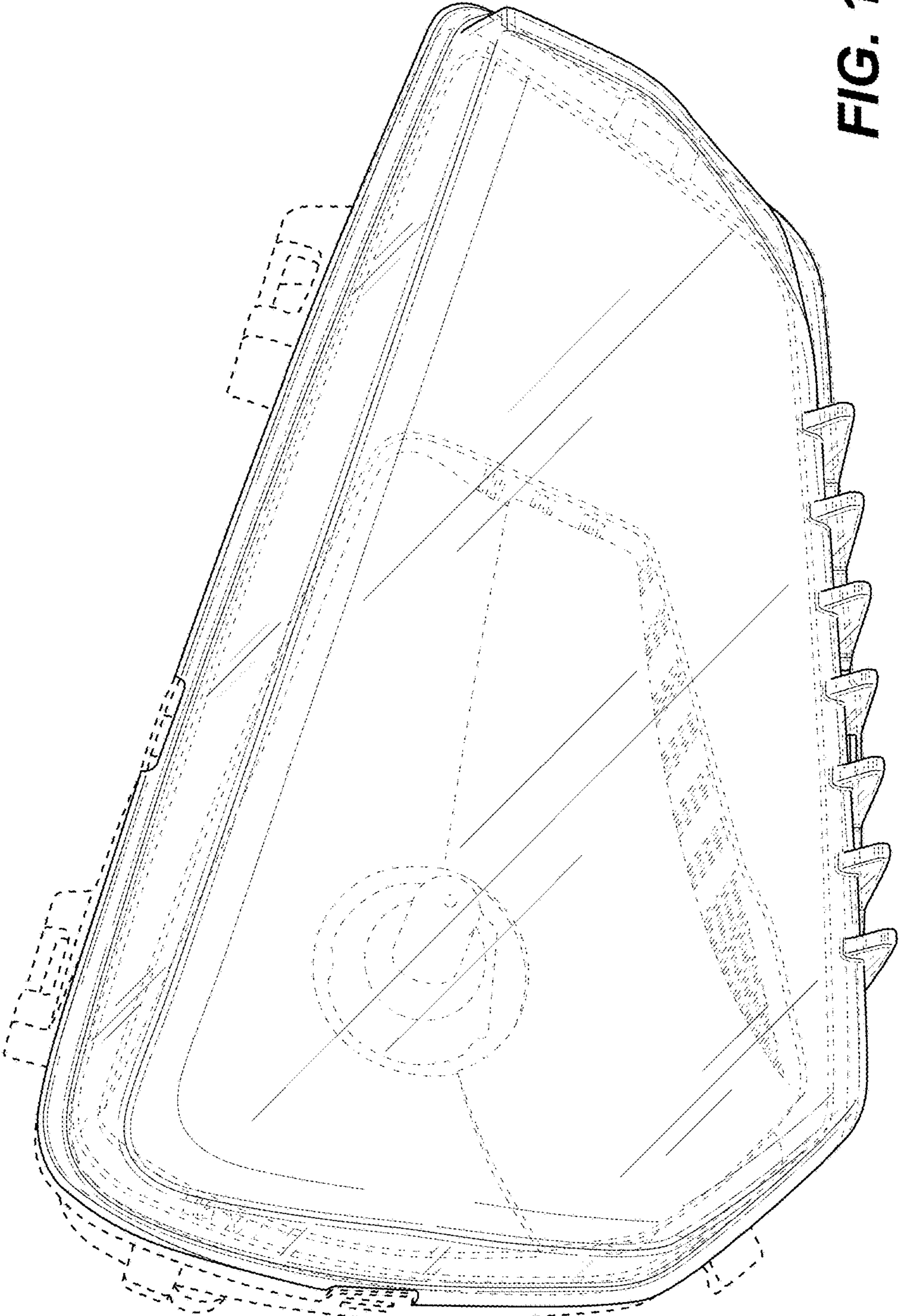


FIG. 1

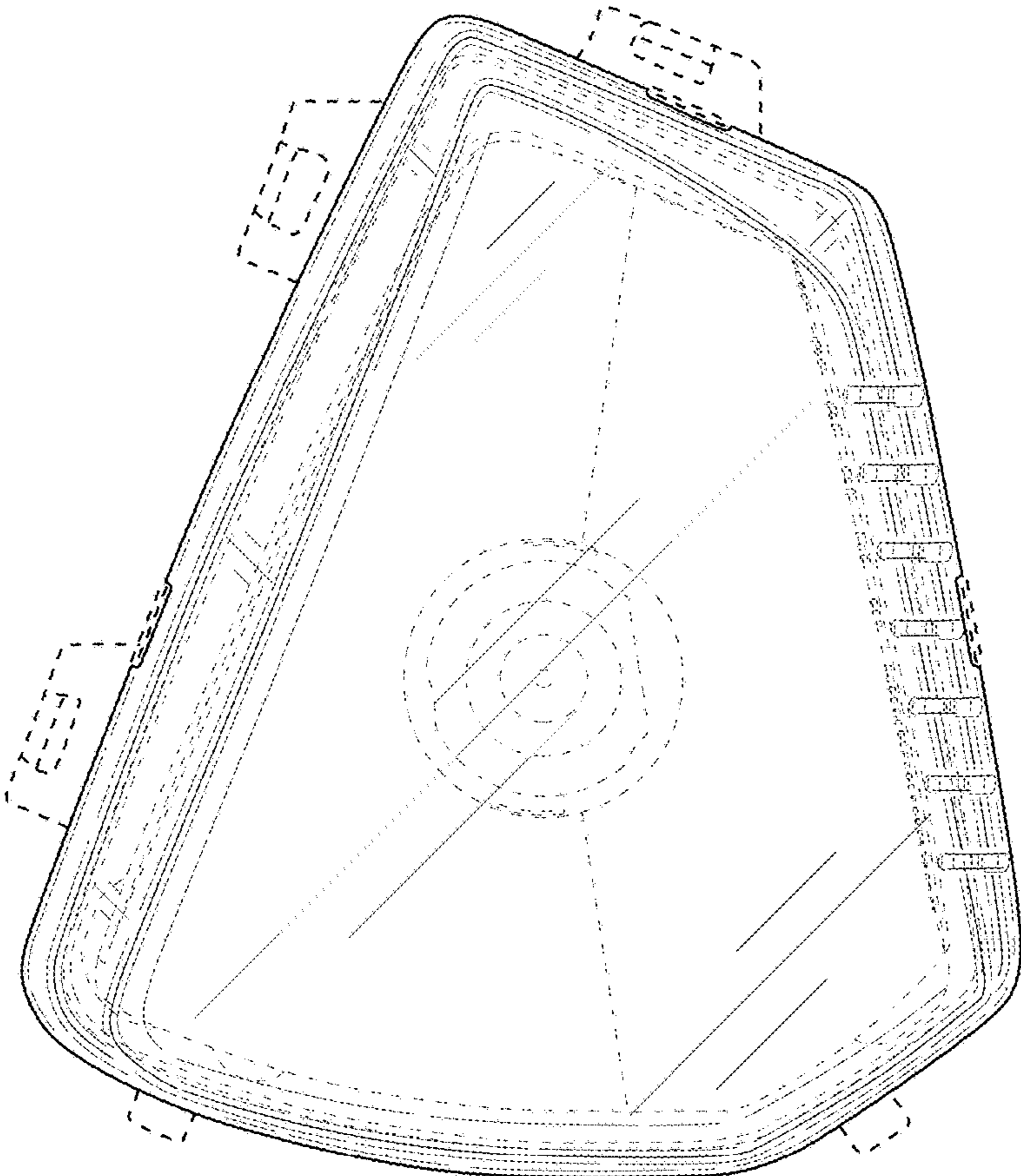


FIG. 2

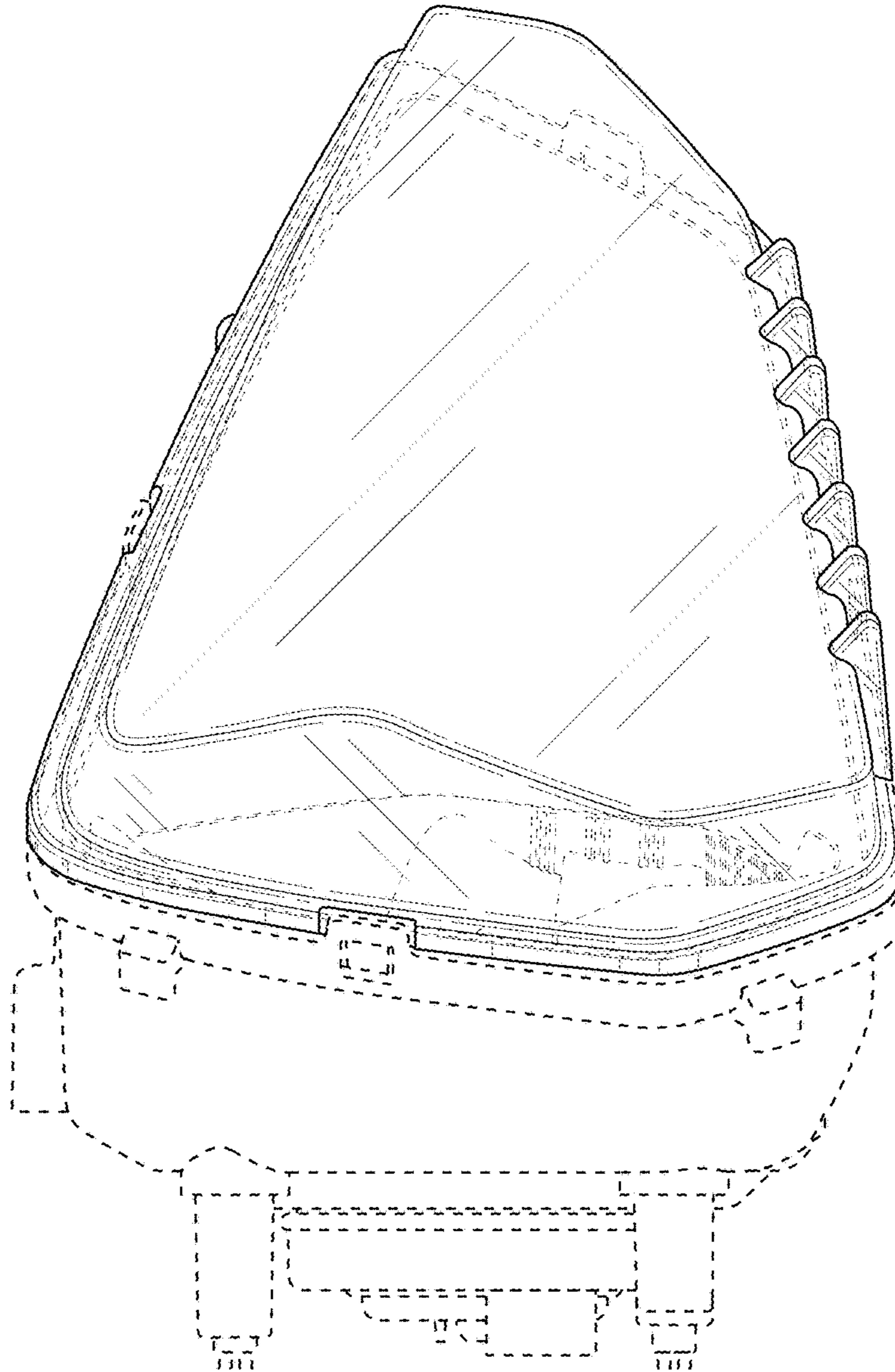


FIG. 3

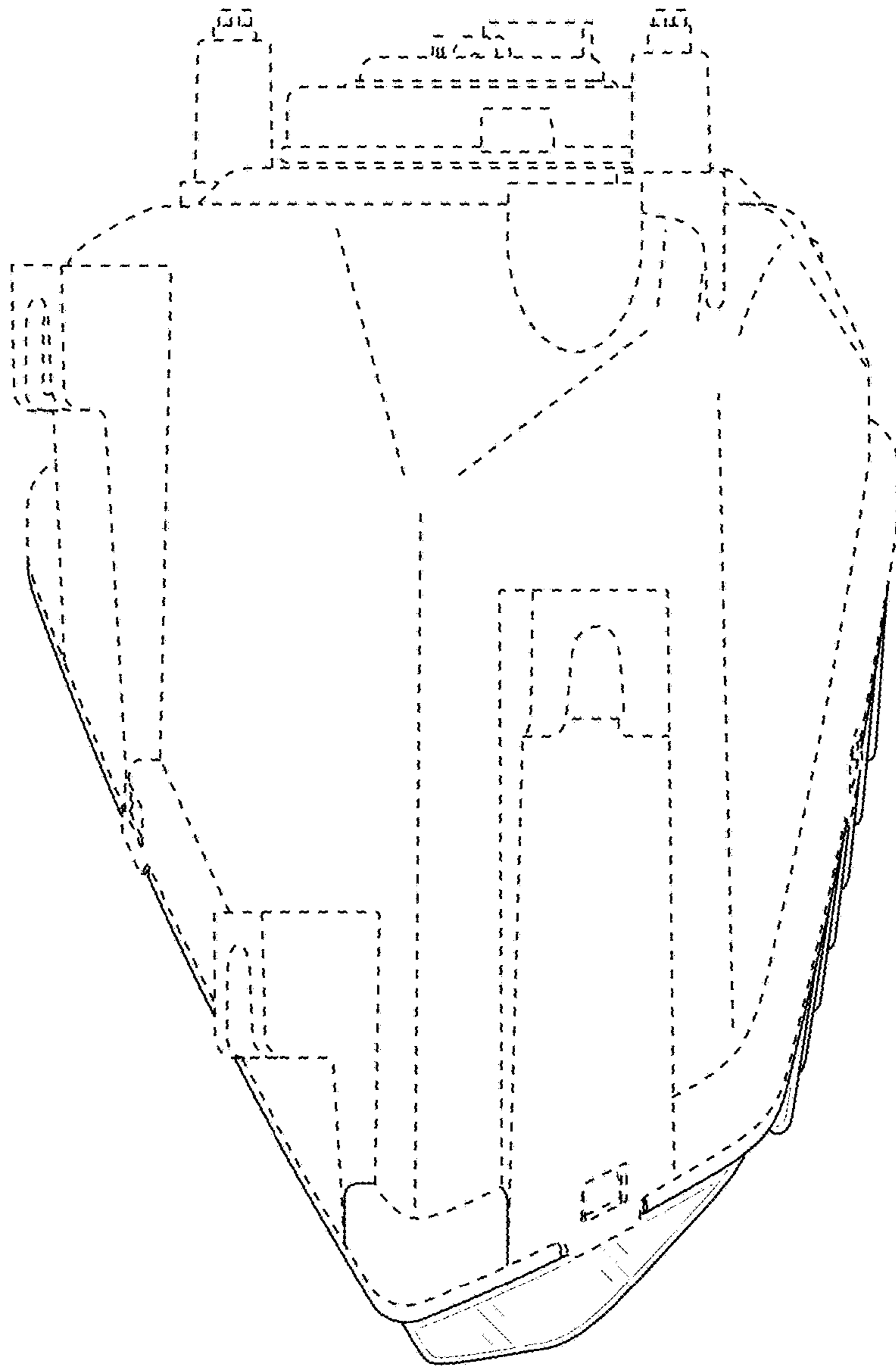


FIG. 4

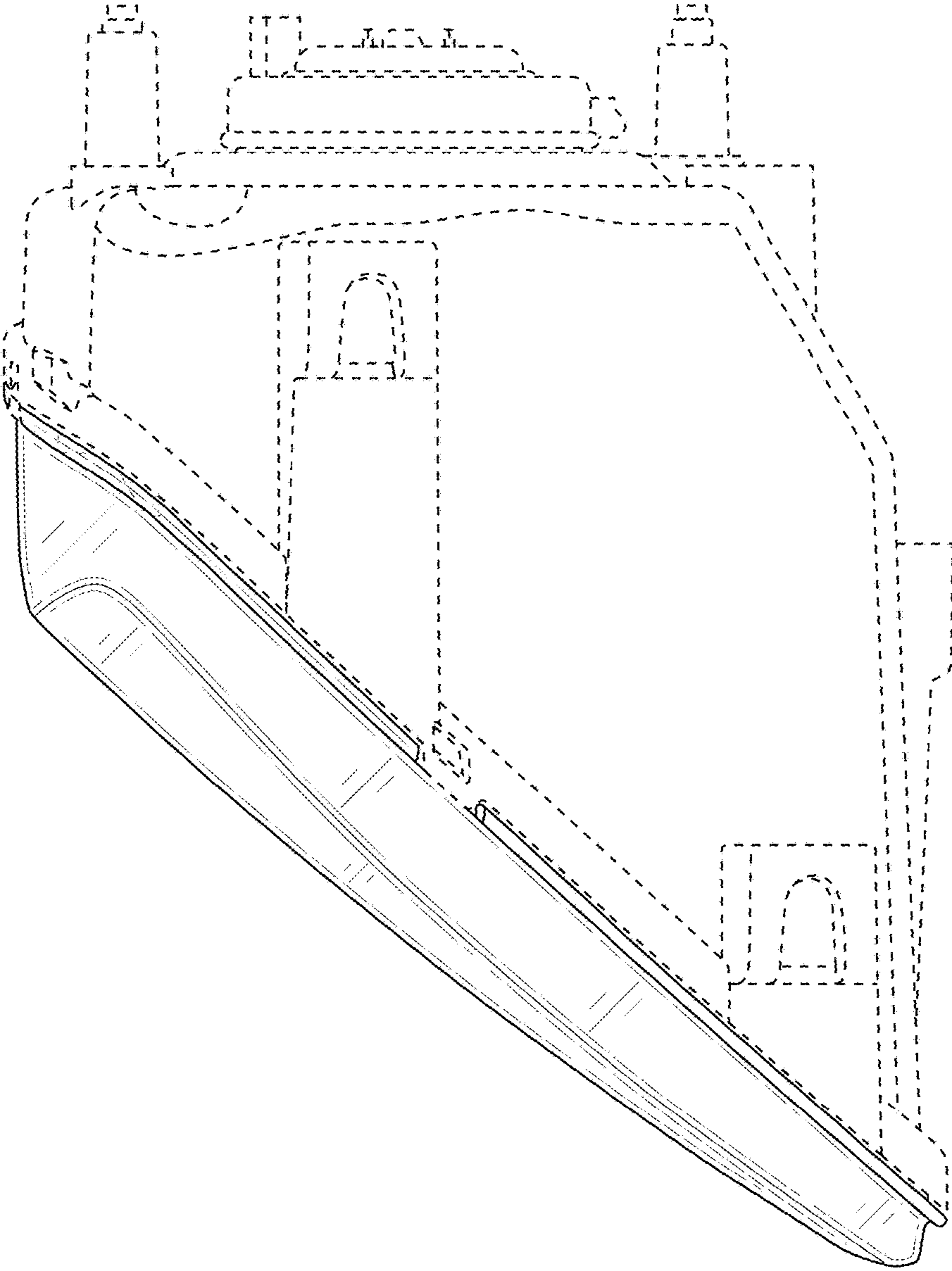


FIG. 5

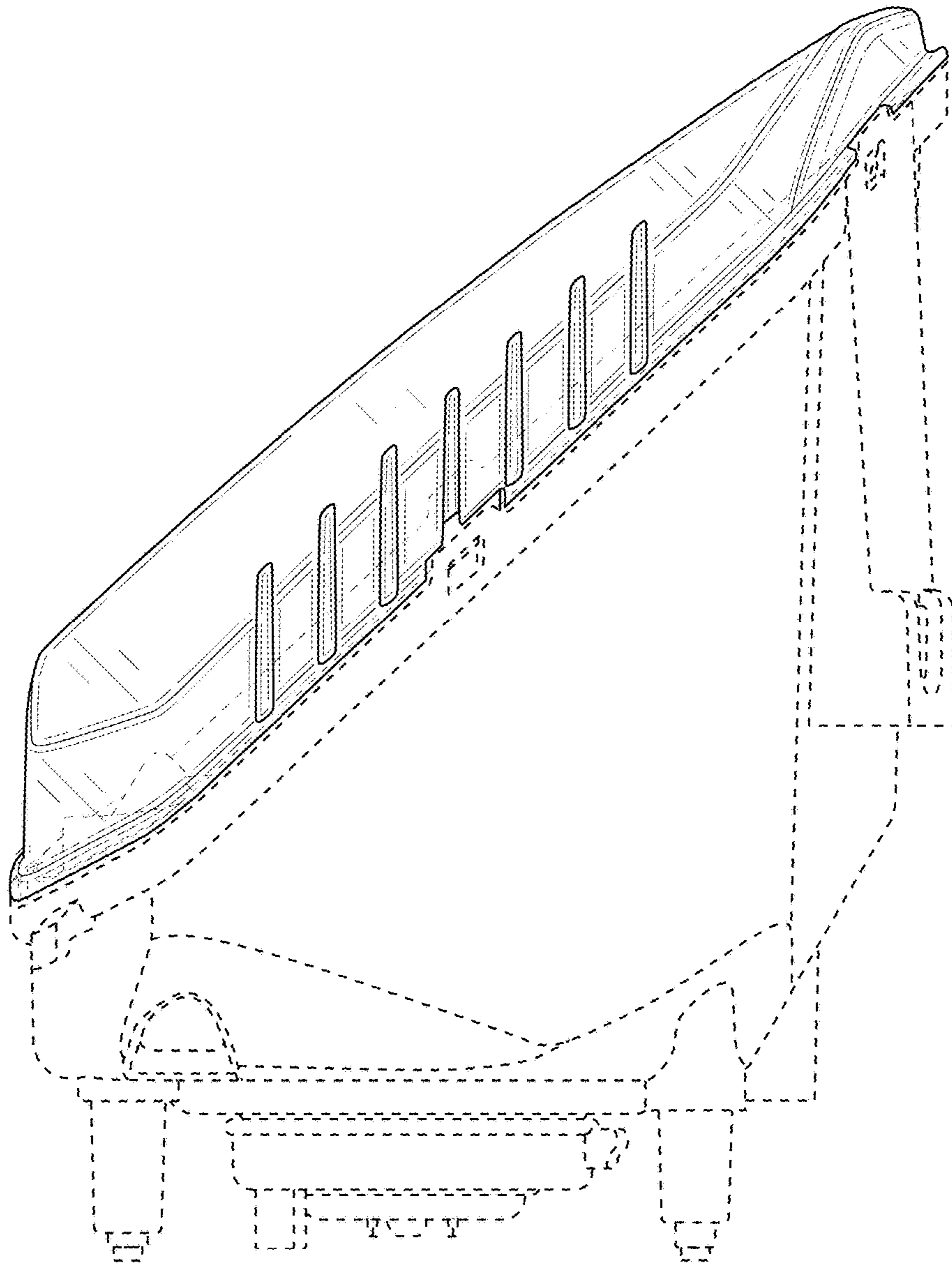


FIG. 6

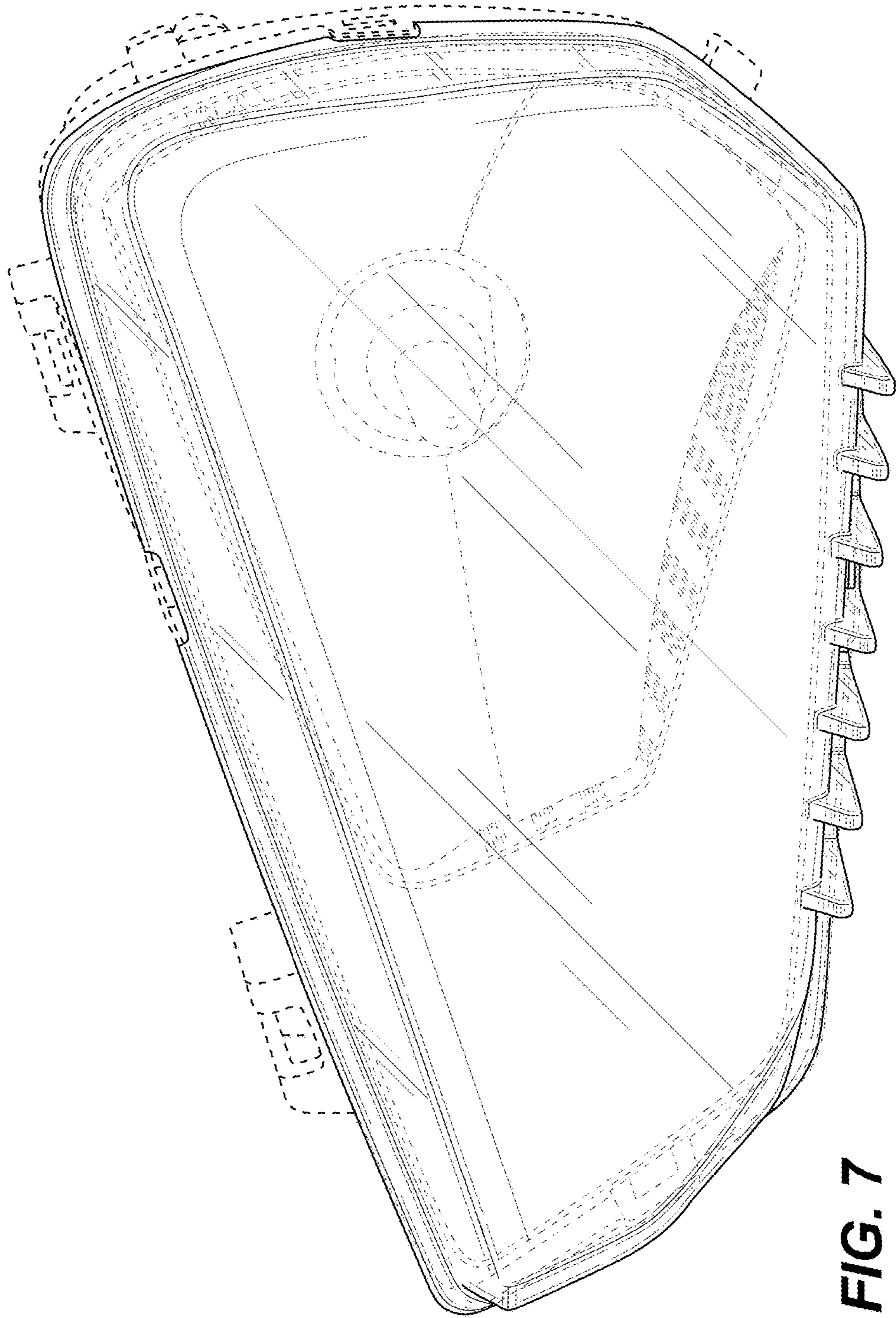


FIG. 7

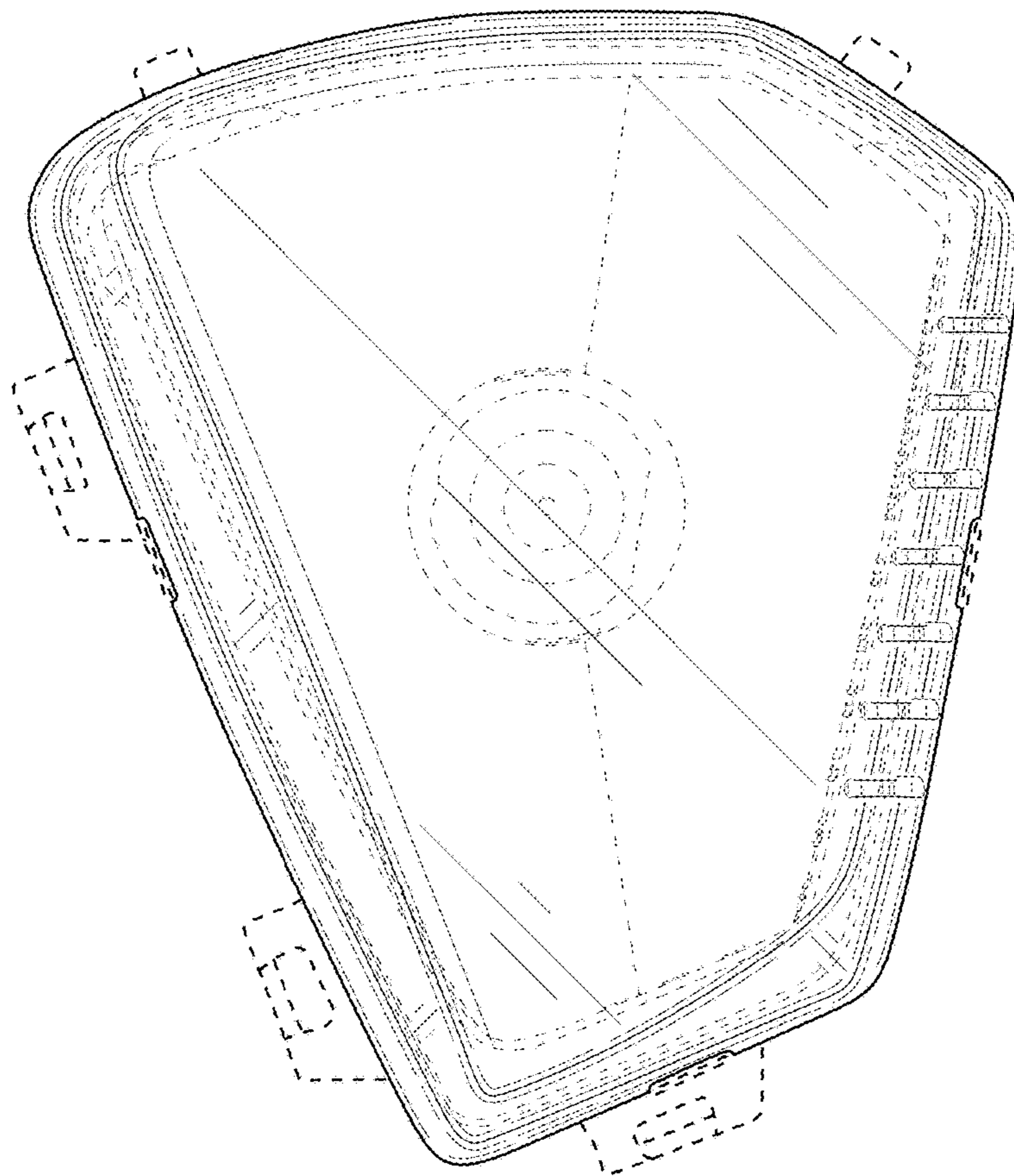


FIG. 8

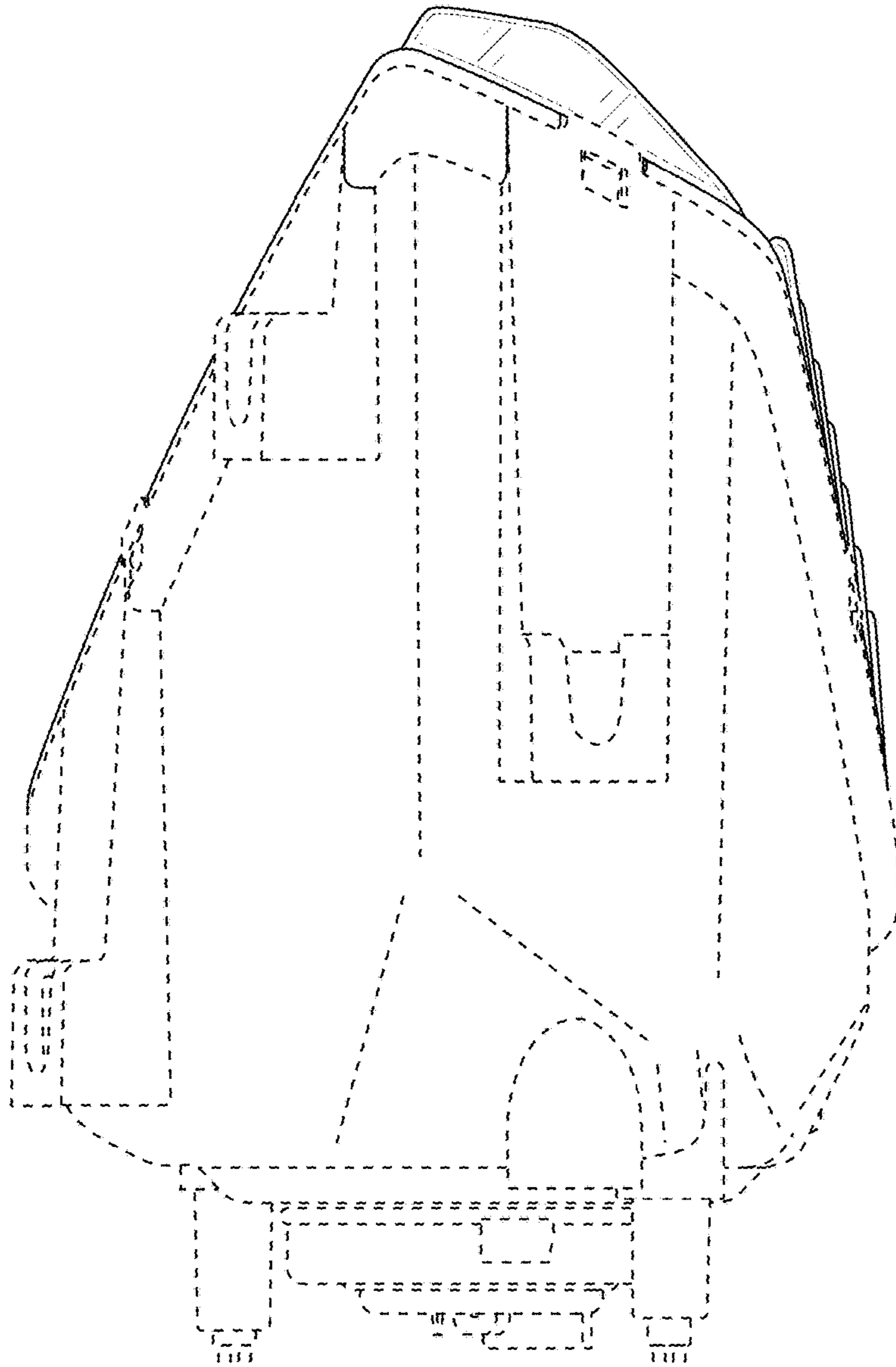


FIG. 9

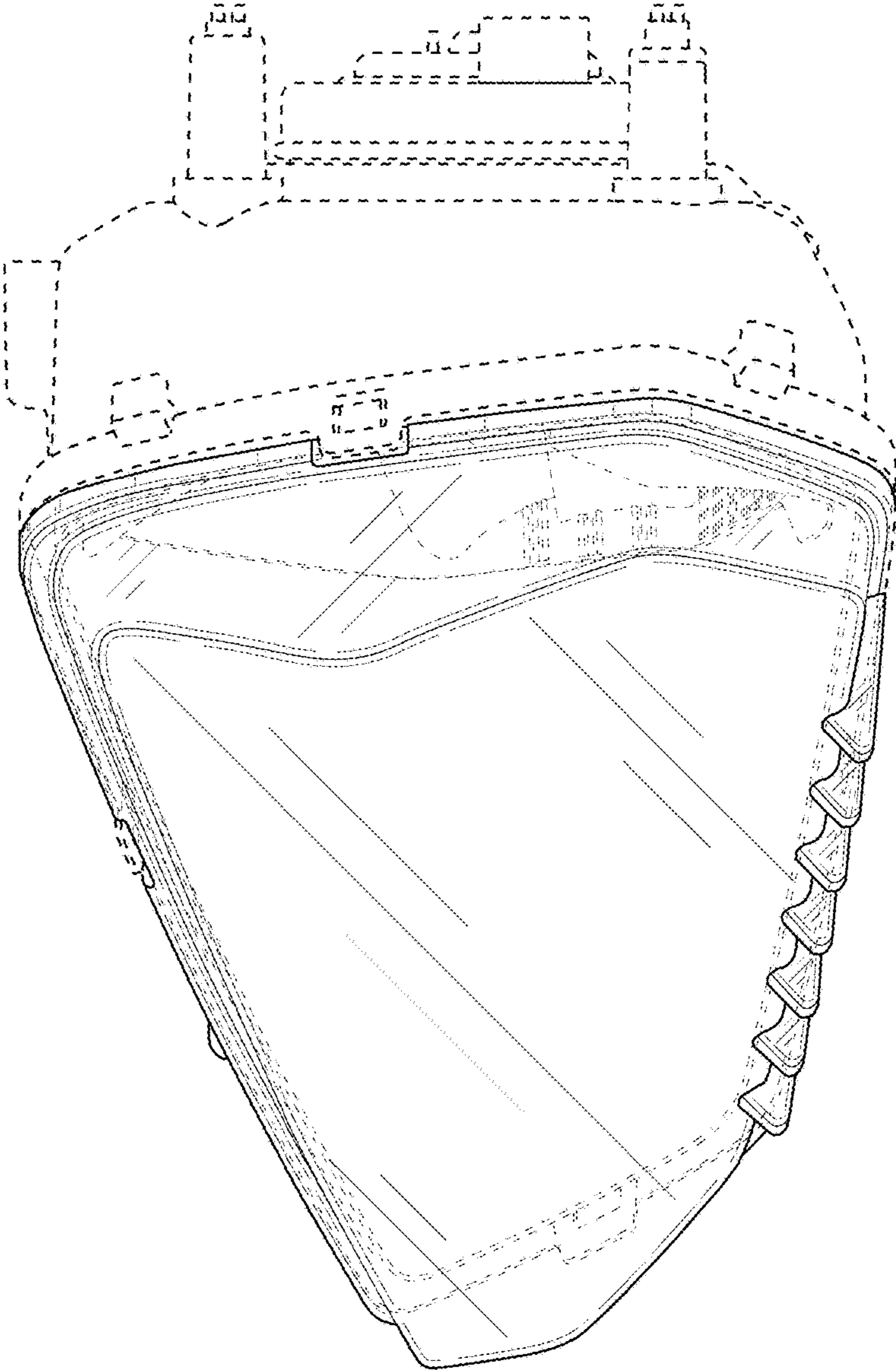


FIG. 10

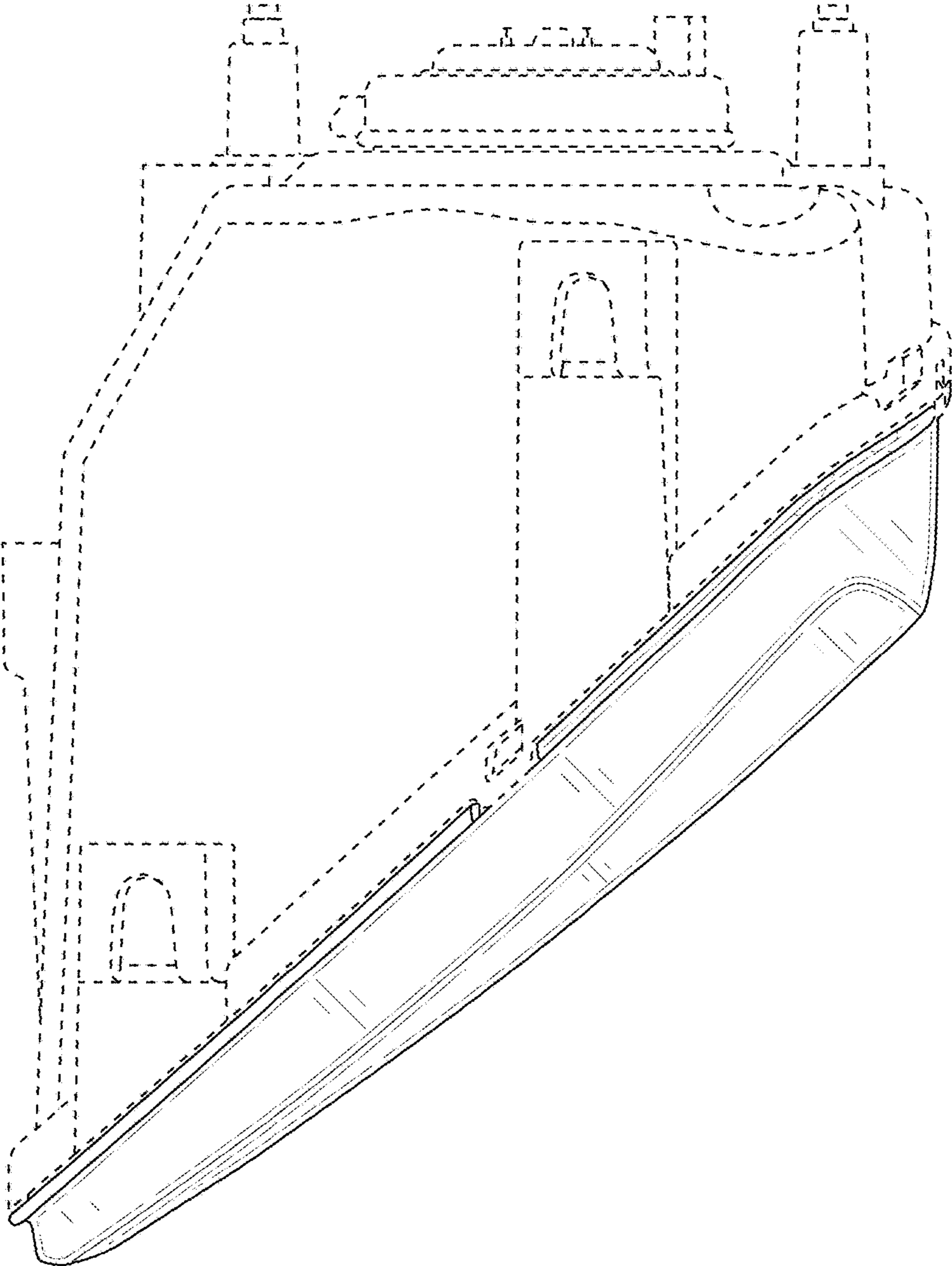


FIG. 11

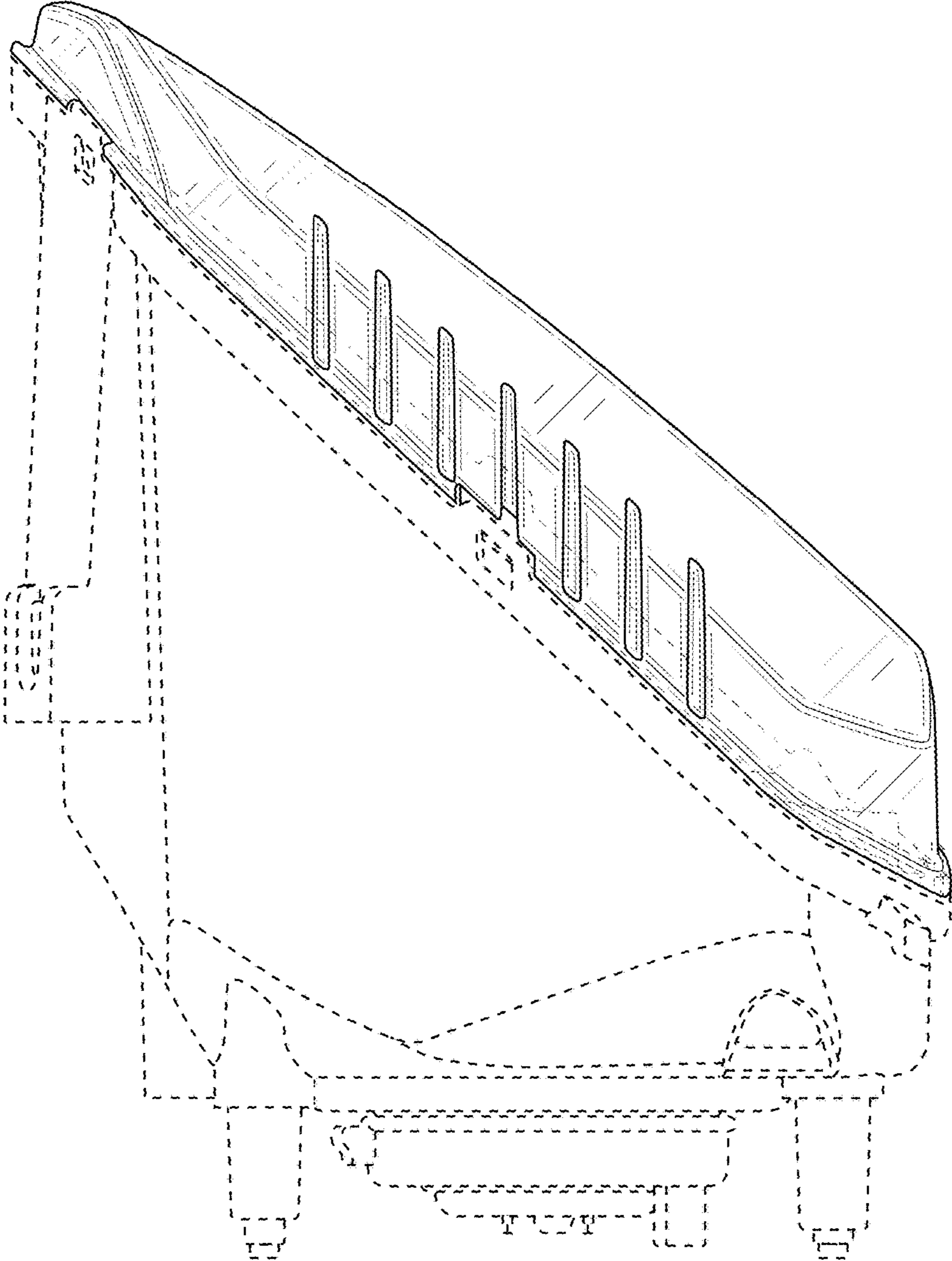


FIG. 12