

US00D860486S

(12) **United States Design Patent** (10) **Patent No.:** **US D860,486 S**
Badstuebner et al. (45) **Date of Patent:** **** Sep. 17, 2019**

(54) **TAILLIGHT FOR A VEHICLE**
(71) Applicant: **Daimler AG**, Stuttgart (DE)
(72) Inventors: **Achim-Dietrich Badstuebner**, Munich (DE); **Hans-Peter Bildhaeuser**, Boeblingen (DE); **Robert Lesnik**, Leonberg (DE); **Thomas Saelzle**, Kornwestheim (DE)
(73) Assignee: **Daimler AG**, Stuttgart (DE)
(**) Term: **15 Years**
(21) Appl. No.: **29/621,271**
(22) Filed: **Oct. 6, 2017**

(30) **Foreign Application Priority Data**
Apr. 7, 2017 (WO) DM/095604
(51) **LOC (12) Cl.** **26-06**
(52) **U.S. Cl.**
USPC **D26/28**
(58) **Field of Classification Search**
USPC D12/86, 90-92, 114, 163, 169, 171-173, D12/181, 190, 196, 197, 199, 400; D17/1, 222; D26/28-36
CPC .. B62J 6/02; B62J 6/00; B60Q 3/0279; B60Q 3/104; B60Q 3/10408; B60Q 3/10466; B60Q 3/12653; B60Q 3/128; F21S 48/00; F21S 48/10; F21S 48/115; F21S 48/225; F21S 48/1233; F21S 48/1266; F21S 48/1388; F21S 48/2268; F21V 21/04
See application file for complete search history.

(56) **References Cited**
U.S. PATENT DOCUMENTS
D694,440 S * 11/2013 Johnson D26/28
D776,846 S * 1/2017 Willett D26/28

D837,424 S * 1/2019 Whitla D26/28
D841,202 S * 2/2019 Badstuebner D26/28
D843,614 S * 3/2019 Whitla D26/28
D843,617 S * 3/2019 Smith D26/28
D844,186 S * 3/2019 Smith D26/28
D845,519 S * 4/2019 Zipfel D26/28
D847,391 S * 4/2019 Pinazzo D26/28

(Continued)

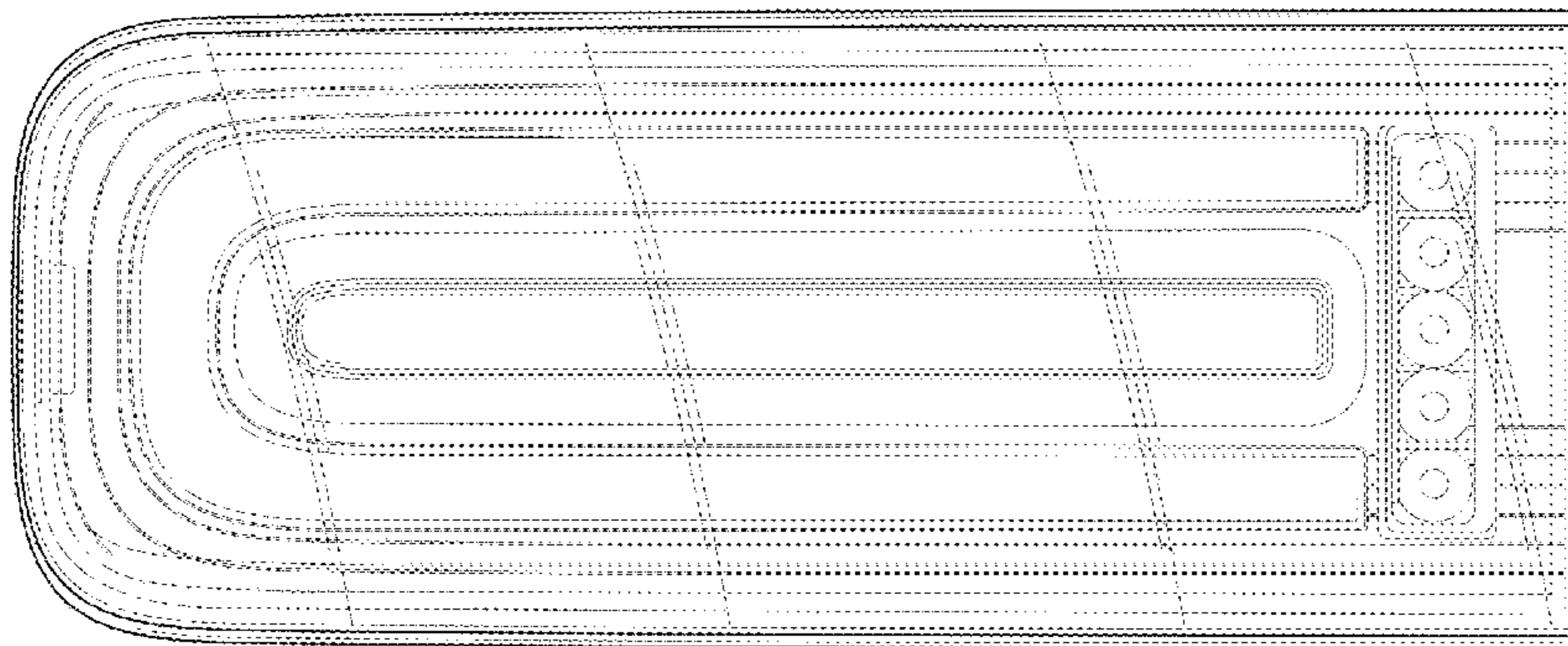
Primary Examiner — Philip S Hyder
Assistant Examiner — Cary M Robinson
(74) *Attorney, Agent, or Firm* — Crowell & Moring LLP

(57) **CLAIM**
The ornamental design for a taillight for a vehicle, as shown and described.

DESCRIPTION

This application contains subject matter related to the following co-pending U.S. design patent applications: Application Ser. No. 29/610,663, filed Jul. 14, 2017 and entitled "Vehicle, Toy, and/or Replicas Thereof."
FIG. 1 is a front view of a first embodiment of a taillight for a vehicle according to the design;
FIG. 2 is a left, front perspective view thereof; and
FIG. 3 is a left side view thereof.
FIG. 4 is a front view of a second embodiment of the taillight for a vehicle according to the design;
FIG. 5 is a right, front perspective view thereof; and
FIG. 6 is a right side view thereof.
FIG. 7 is a front view of a third embodiment of the taillight for a vehicle according to the design;
FIG. 8 is a left, front perspective view thereof; and
FIG. 9 is a left side view thereof.
FIG. 10 is a front view of a fourth embodiment of the taillight for a vehicle according to the design;
FIG. 11 is a right, front perspective view thereof; and
FIG. 12 is a right side view thereof.
The broken lines in the drawings illustrate environmental subject matter only and form no part of the claimed design.

1 Claim, 12 Drawing Sheets



(56)

References Cited

U.S. PATENT DOCUMENTS

2014/0160739 A1* 6/2014 Hiesl F21V 15/01
362/217.1

* cited by examiner

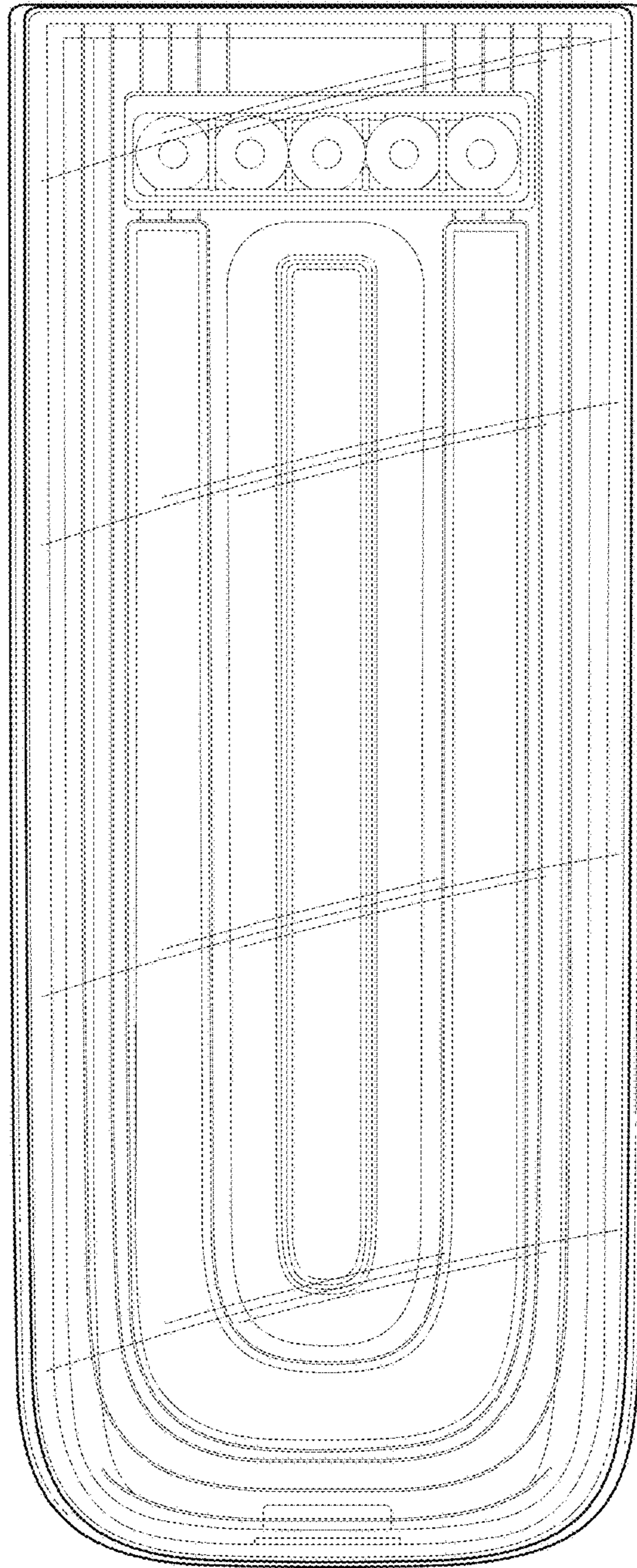


FIG. 1

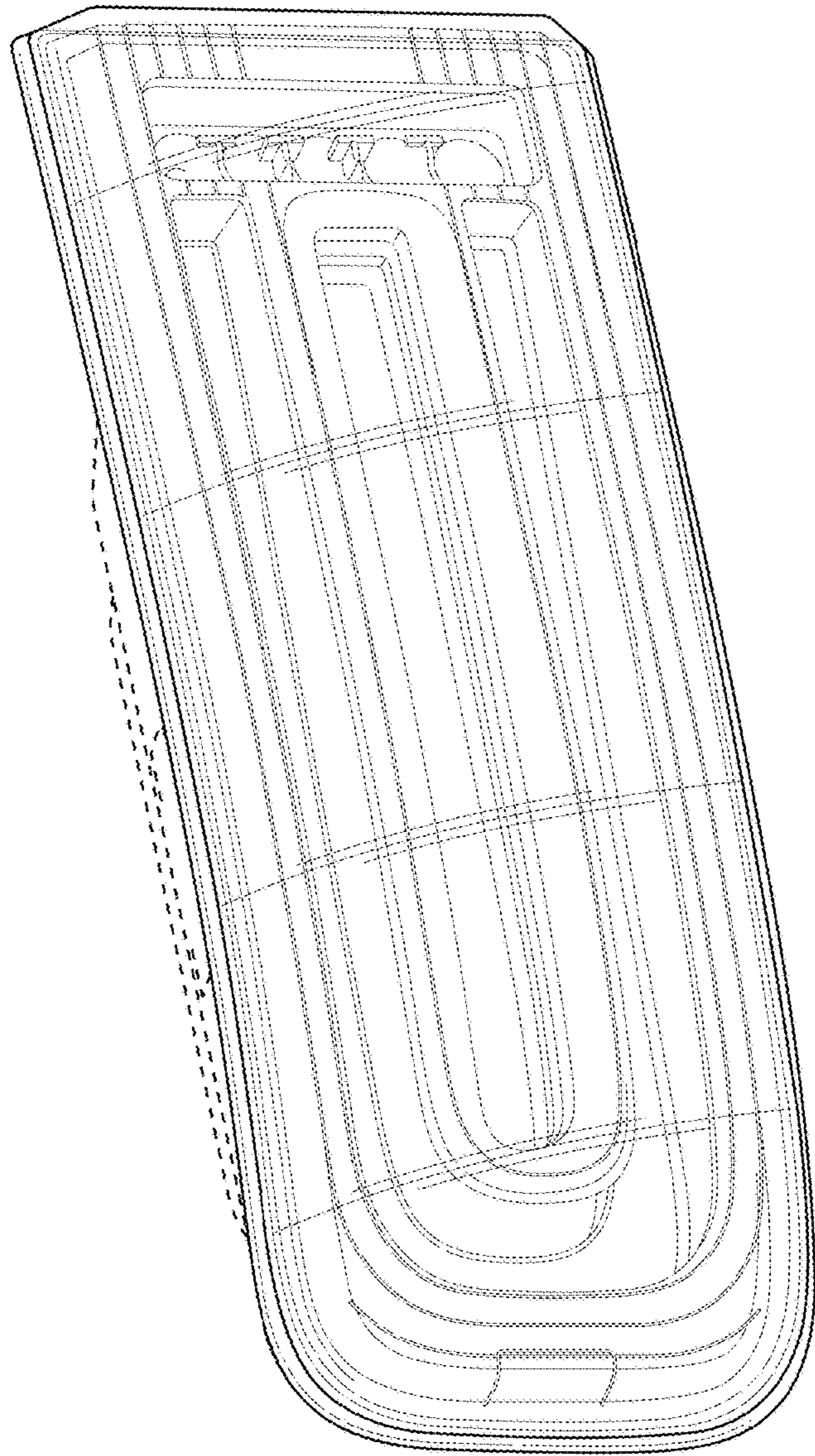


FIG. 2

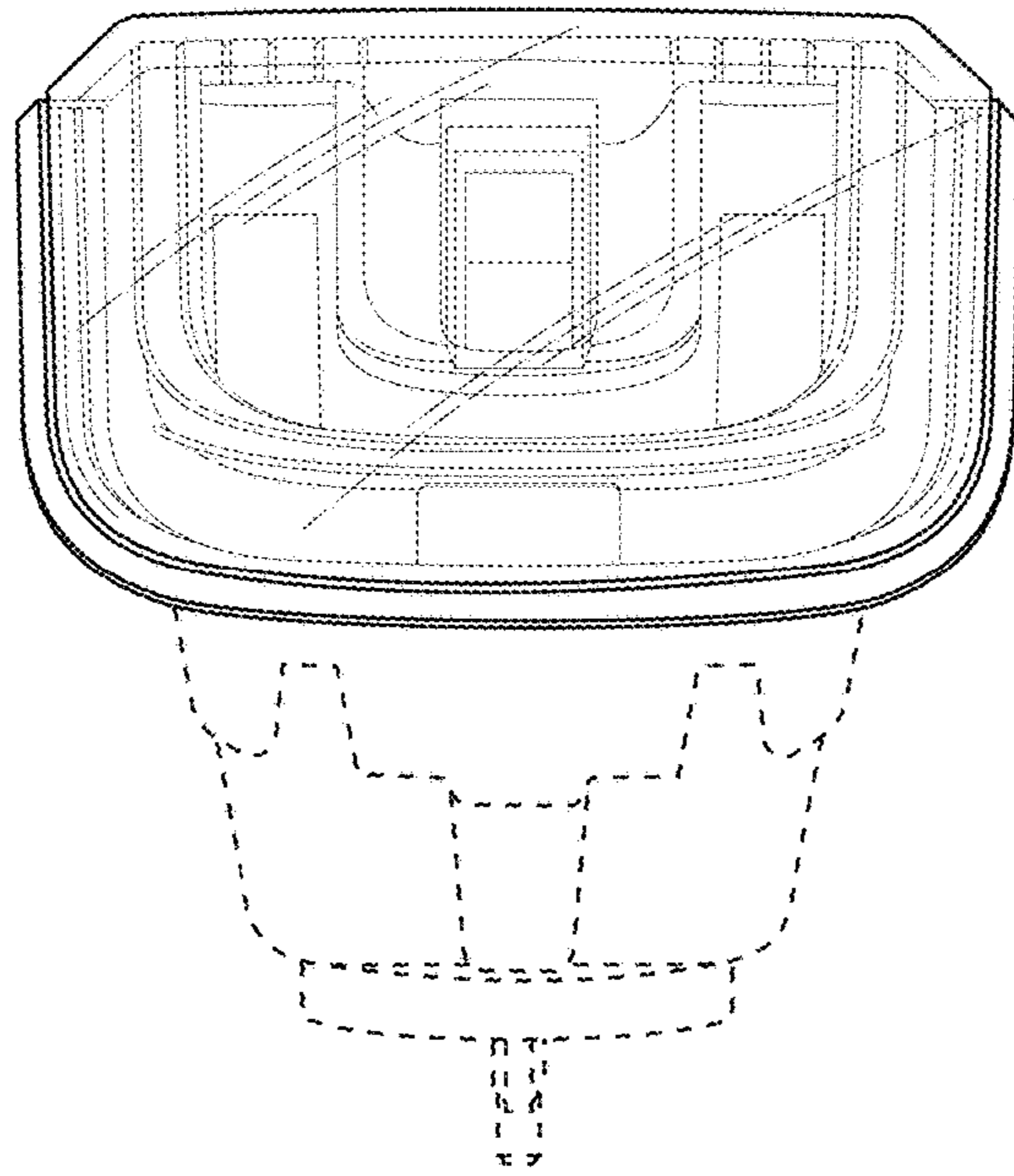


FIG. 3

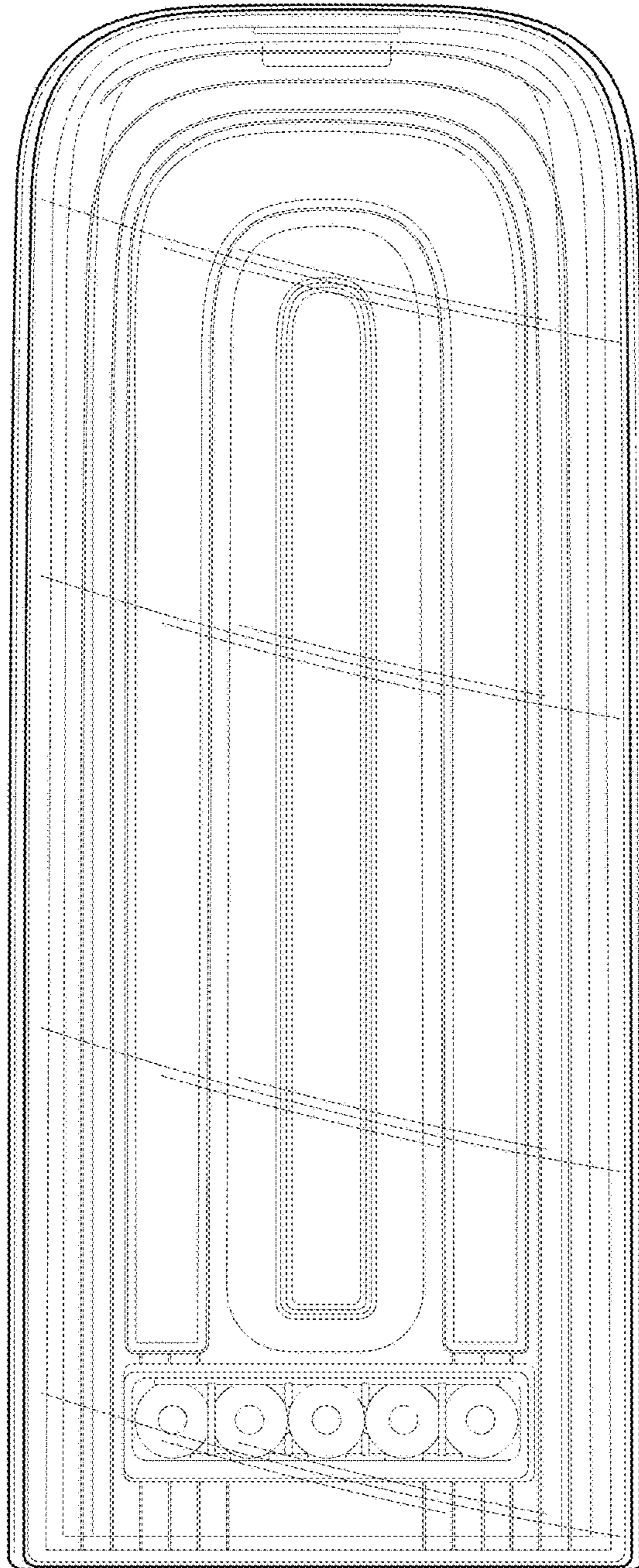


FIG. 4

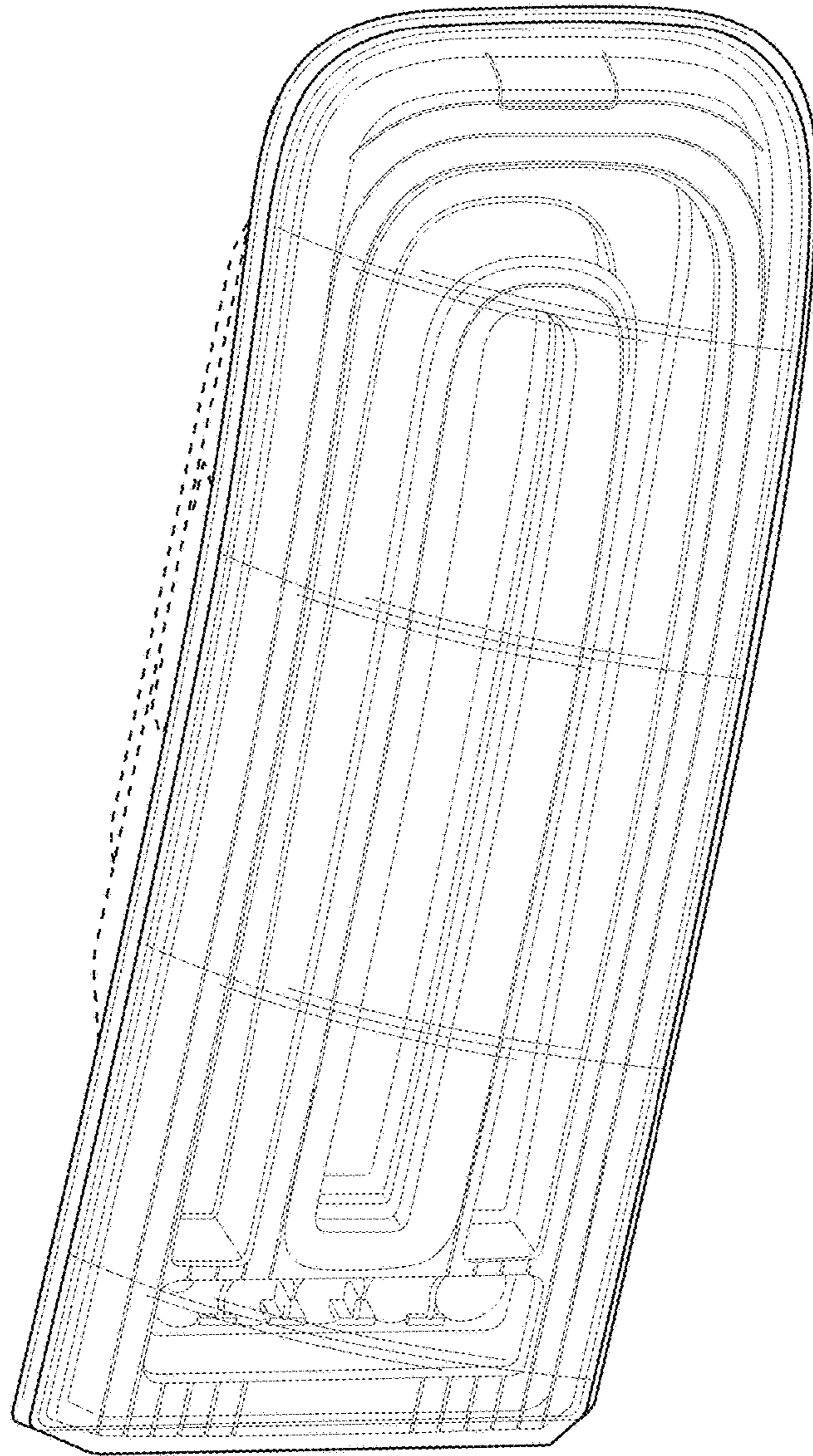


FIG. 5

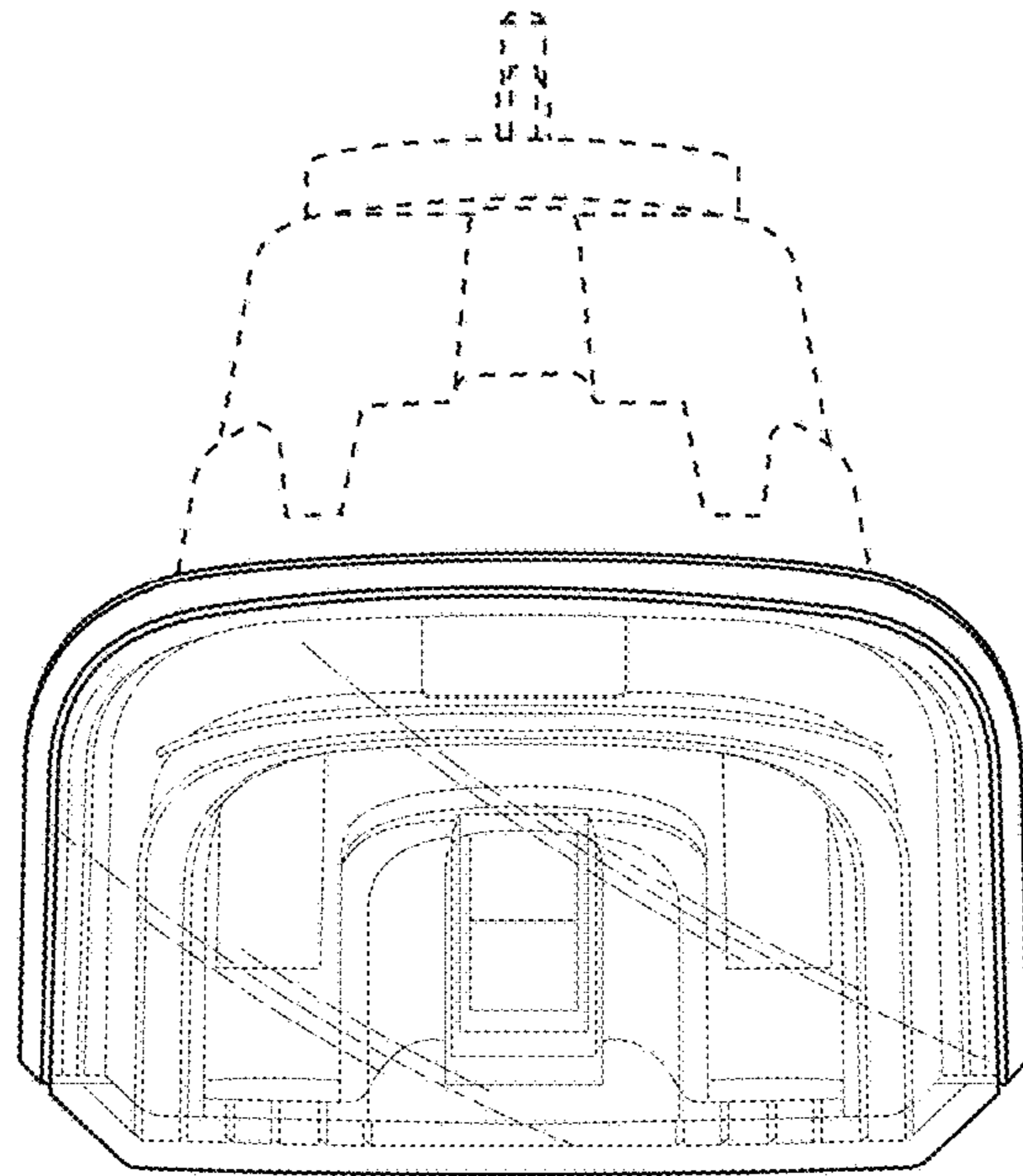


FIG. 6

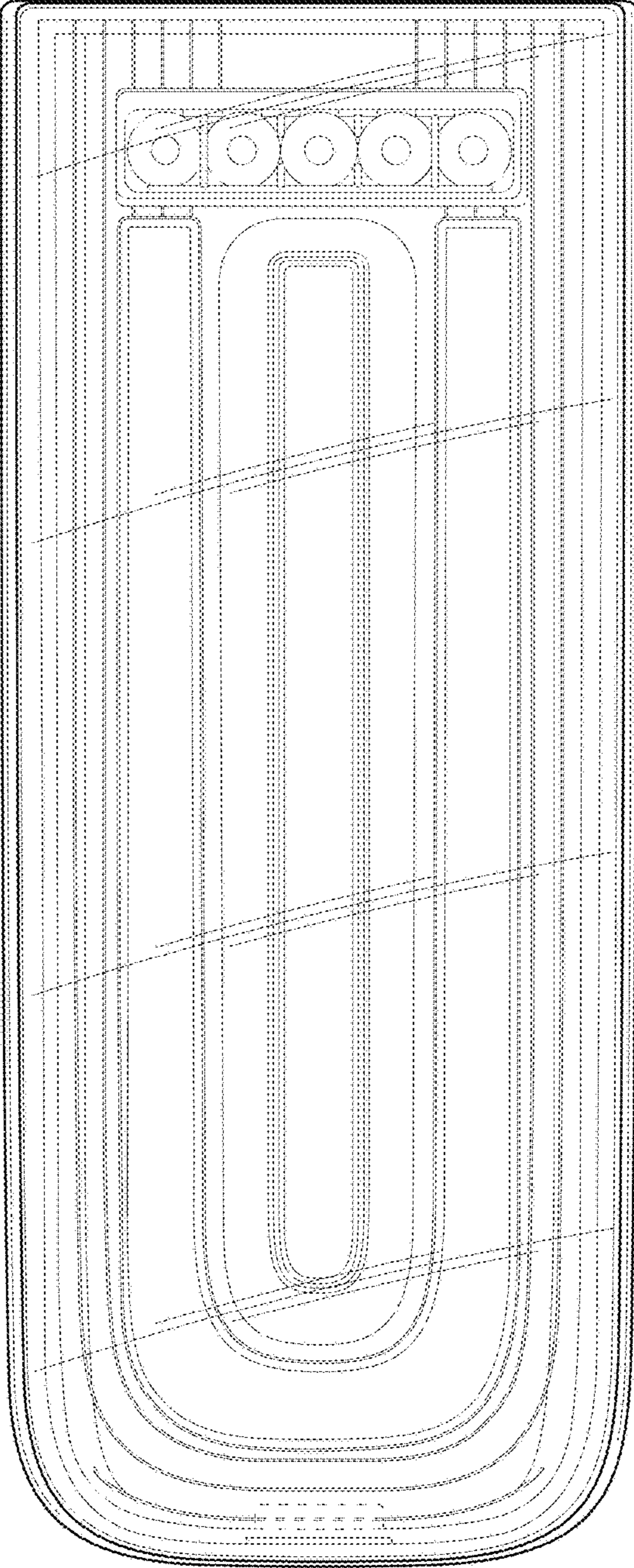


FIG. 7

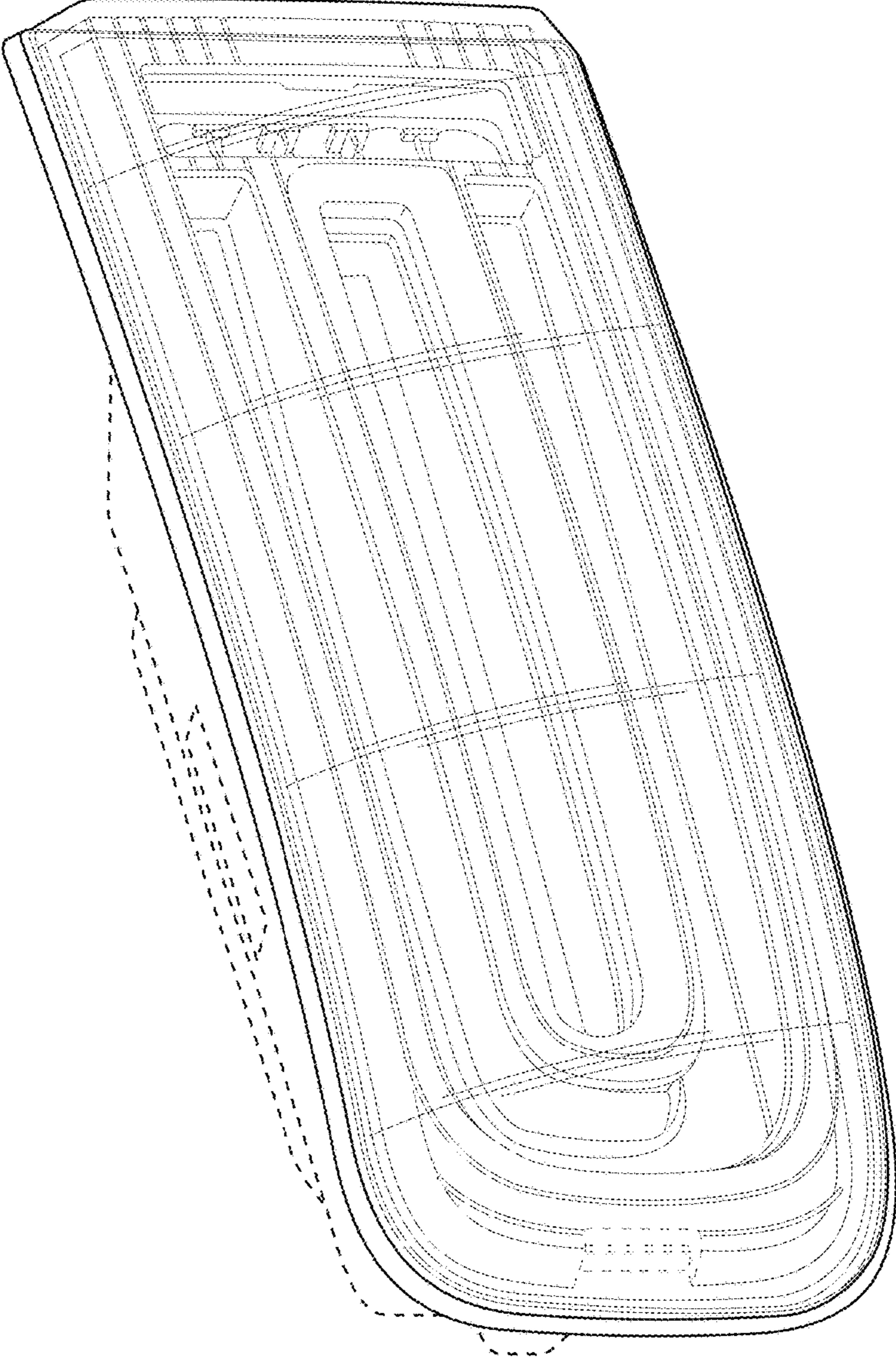


FIG. 8

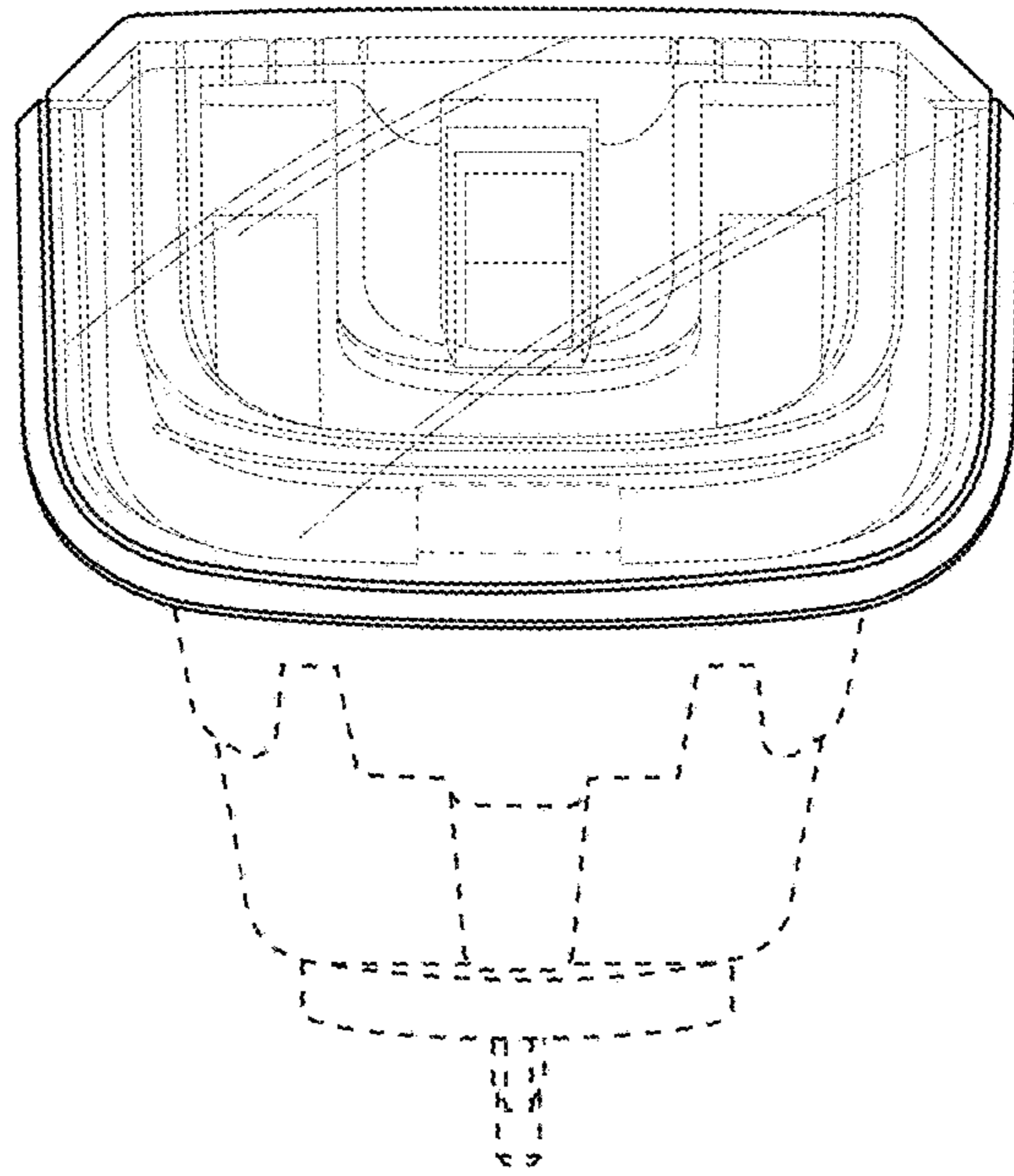


FIG. 9

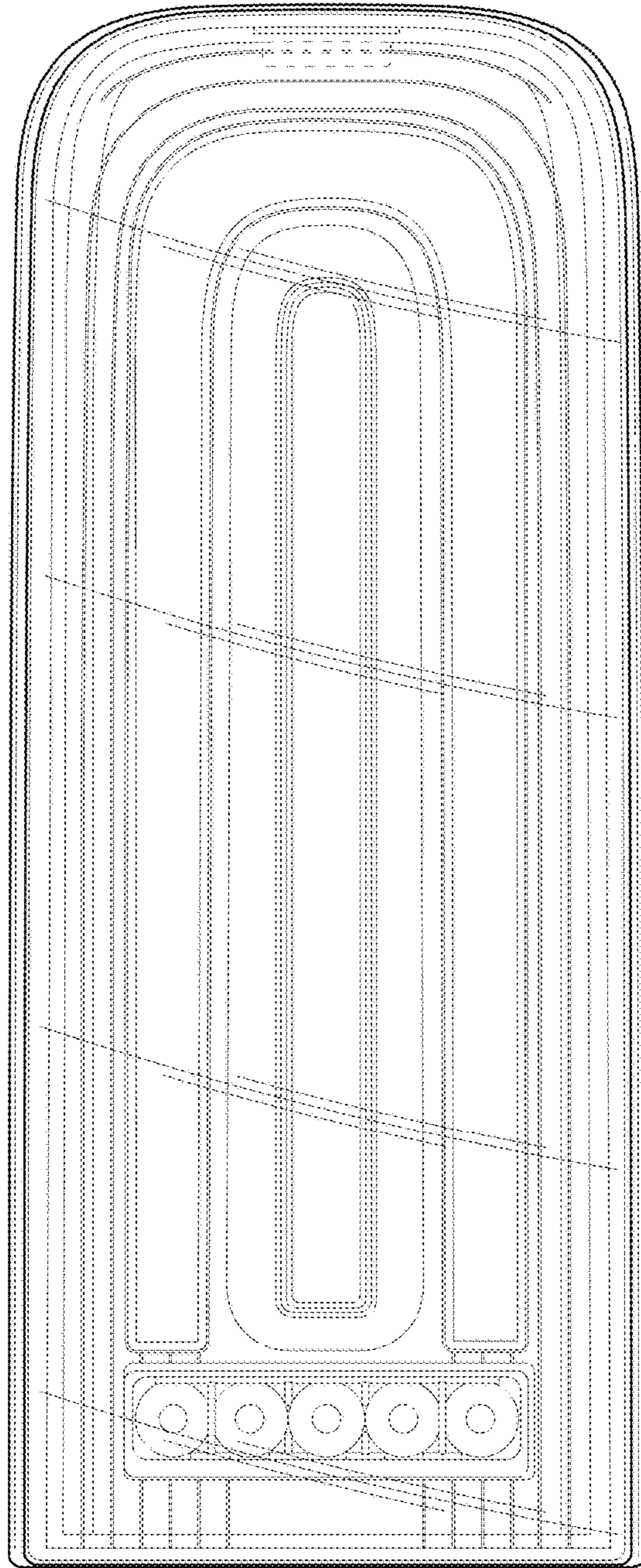


FIG. 10

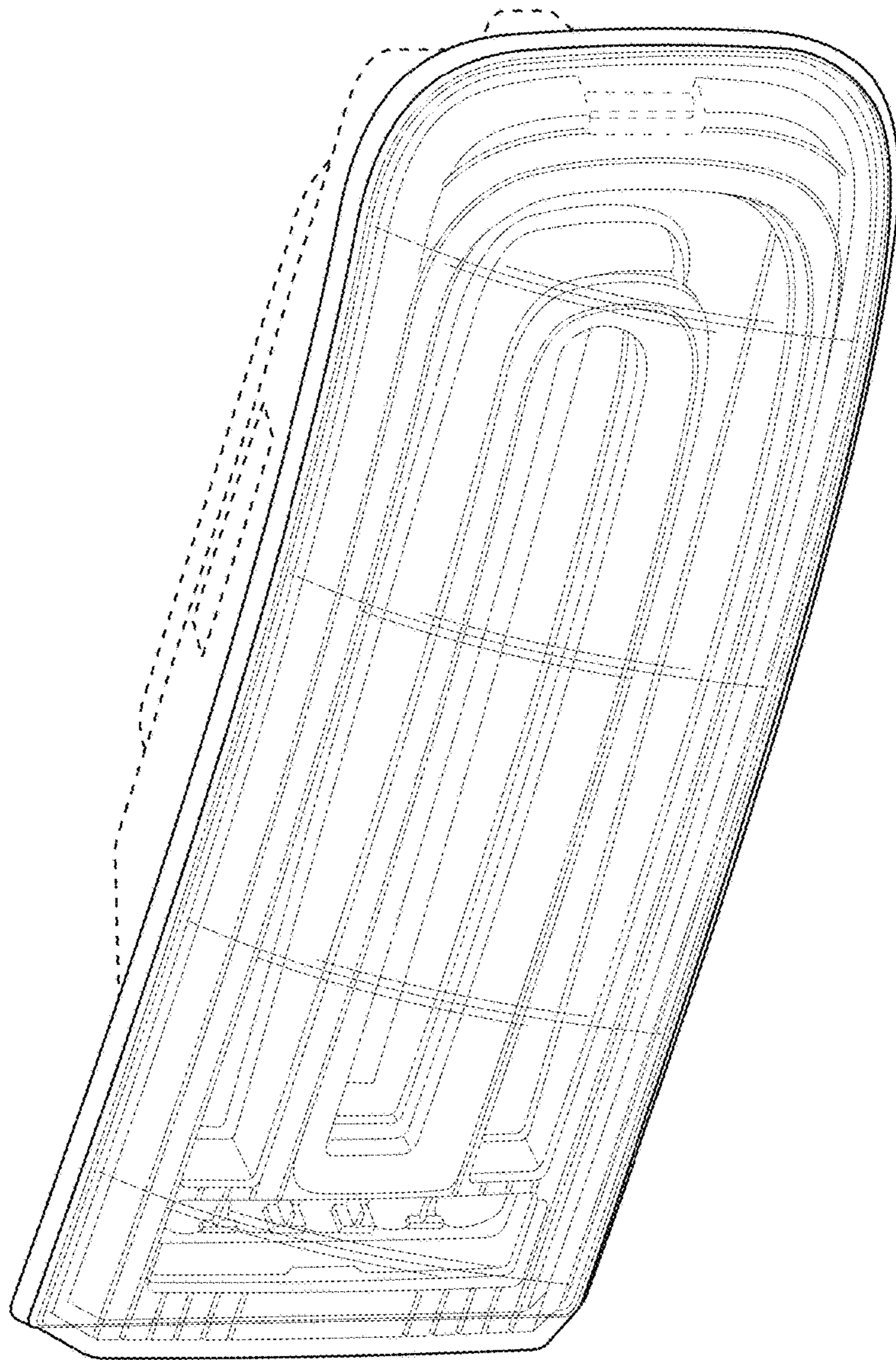


FIG. 11

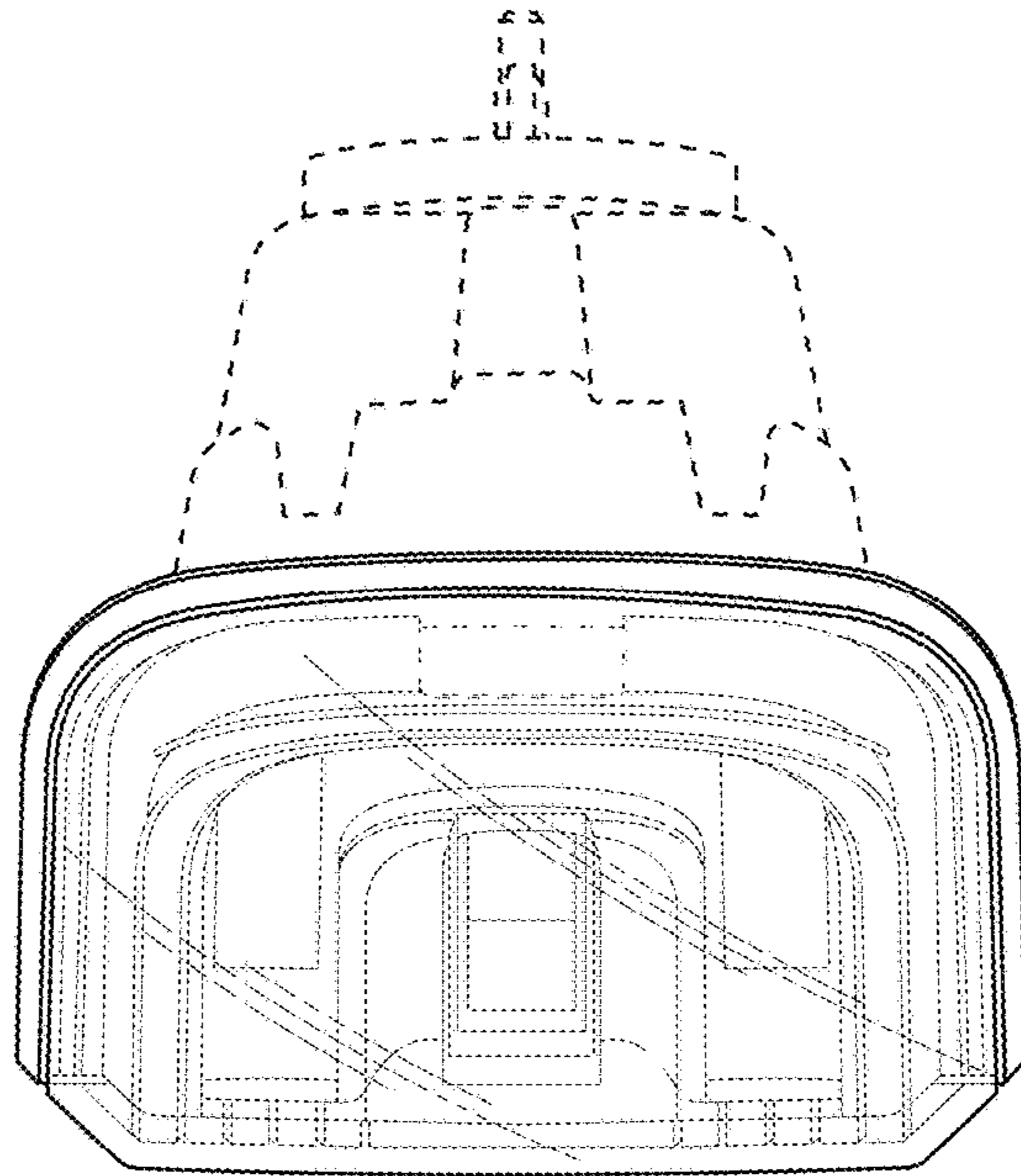


FIG. 12