



US00D860485S

(12) **United States Design Patent** (10) **Patent No.:** **US D860,485 S**
Yu (45) **Date of Patent:** **** Sep. 17, 2019**

(54) **RING LIGHT**
(71) Applicant: **Haitao Yu**, Jiangsu (CN)
(72) Inventor: **Haitao Yu**, Jiangsu (CN)
(**) Term: **15 Years**
(21) Appl. No.: **29/633,484**
(22) Filed: **Jan. 14, 2018**
(51) **LOC (12) Cl.** **26-04**
(52) **U.S. Cl.**
USPC **D26/24; D16/237**
(58) **Field of Classification Search**
USPC D26/1, 2, 24, 36, 72, 79, 88, 110, 113,
D26/123, 124, 128; D16/136, 237, 239;
362/3, 8, 12, 16, 317, 362
CPC F21S 4/22; F21S 4/28; F21S 8/00; F21S
8/02; F21S 8/04; F21Y 2103/33; F21V
11/00; F21V 11/02; F21V 7/00; F21V
7/0066; F21V 33/00
See application file for complete search history.

D686,354 S * 7/2013 Feigenbaum D26/24
D690,841 S * 10/2013 Feigenbaum D26/24
D690,842 S * 10/2013 Feigenbaum D26/24
D702,279 S * 4/2014 Zhan D16/239
D718,892 S * 12/2014 Kim D26/24
D736,449 S * 8/2015 Getty D26/110
D761,484 S * 7/2016 Laukkanen D26/118
D767,188 S * 9/2016 Jigamian D26/113
D780,972 S * 3/2017 Morello D26/72
D783,196 S * 4/2017 Arndt D26/90
D793,588 S * 8/2017 Walker D26/26
D802,807 S * 11/2017 Walker D26/26
D806,929 S * 1/2018 Clark D26/88
D830,611 S * 10/2018 Boissevain D26/89
D830,612 S * 10/2018 Boissevain D26/89
D835,328 S * 12/2018 Silver D26/90
2010/0142215 A1* 6/2010 Waring B60Q 1/2657
362/473
2012/0243246 A1* 9/2012 Waring B60Q 1/2657
362/473

(Continued)

Primary Examiner — Wan Laymon
Assistant Examiner — Clint A Samuel

(57) **CLAIM**

I claim the ornamental design for a ring light, as shown and described.

(56) **References Cited**

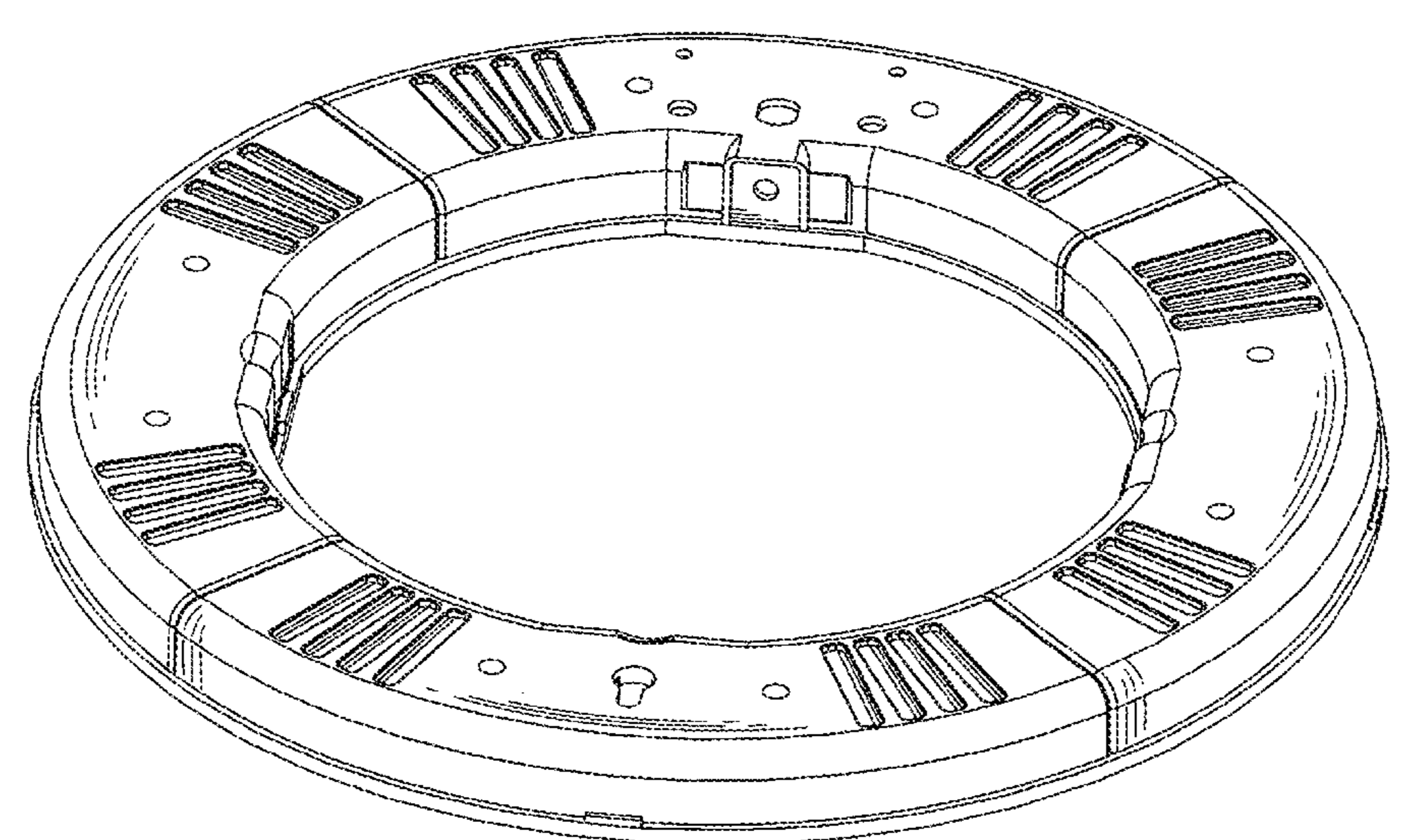
U.S. PATENT DOCUMENTS

D469,916 S * 2/2003 Caferro D26/123
D482,485 S * 11/2003 Benghozi D26/85
D488,879 S * 4/2004 Brown D26/67
D497,447 S * 10/2004 Yoneda D26/24
D544,629 S * 6/2007 Benensohn D26/79
D544,986 S * 6/2007 Benensohn D26/79
D601,744 S * 10/2009 Sakuma D26/89
D611,178 S * 3/2010 Waring D26/34
D617,035 S * 6/2010 Sabernig D26/79
D633,646 S * 3/2011 Marcaccio D26/118
D636,117 S * 4/2011 Kim D26/138
D636,118 S * 4/2011 Kim D26/138
D659,890 S * 5/2012 Kong D26/113
D661,414 S * 6/2012 Kang D26/2
D662,648 S * 6/2012 Whiting D26/36

DESCRIPTION

FIG. 1 is a perspective view of a ring light showing my new design;
FIG. 2 is a front elevational view thereof;
FIG. 3 is a rear elevational view thereof;
FIG. 4 is a left side elevational view thereof;
FIG. 5 is a right side elevational view thereof;
FIG. 6 is a top plan view thereof; and,
FIG. 7 is a bottom plan view thereof.
The broken lines in the drawings depict portions of the ring light that form no part of the claimed design.

1 Claim, 7 Drawing Sheets



(56)

References Cited

U.S. PATENT DOCUMENTS

2014/0198496 A1* 7/2014 Ye F21V 5/00
362/235
2014/0268753 A1* 9/2014 Buchholz F21V 7/0066
362/235
2016/0069548 A1* 3/2016 Wessel B25B 23/18
362/183
2016/0109784 A1* 4/2016 Xu H04N 5/2256
348/370

* cited by examiner

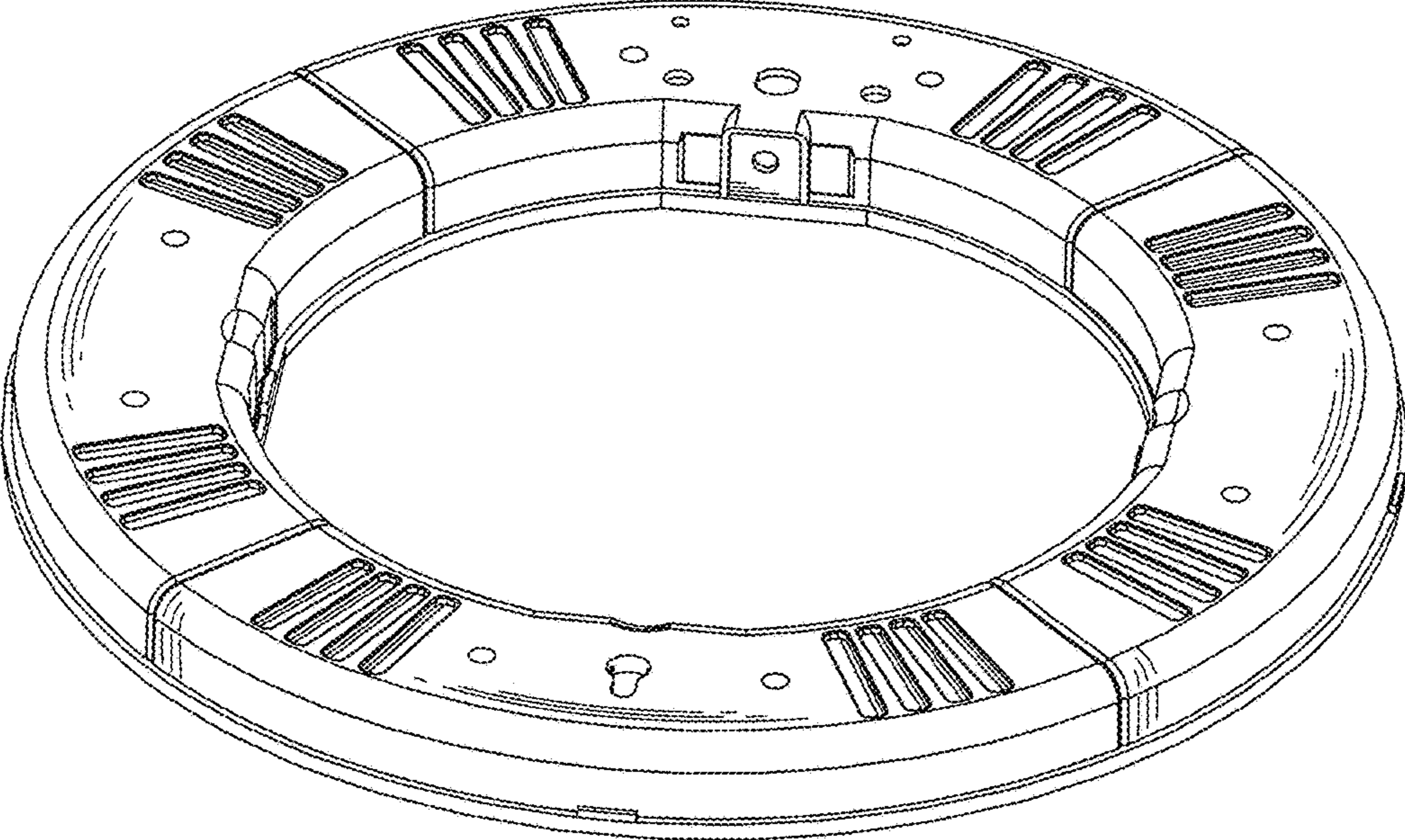


FIG. 1

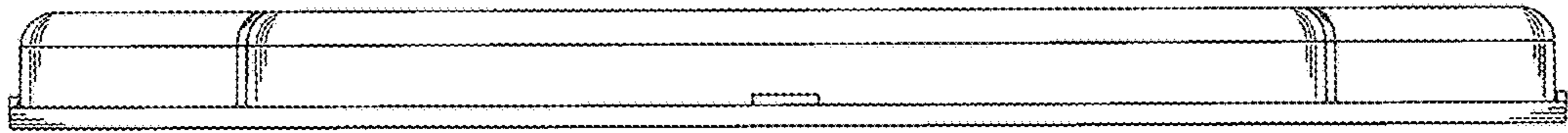


FIG. 2

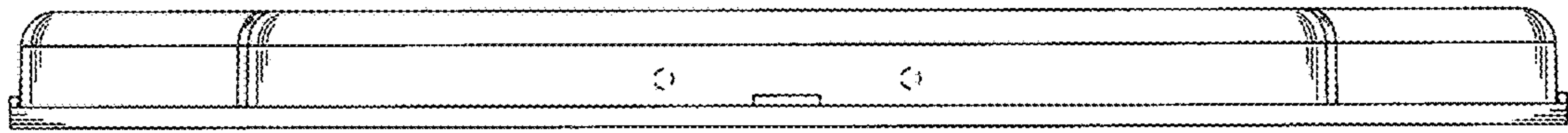


FIG. 3



FIG. 4

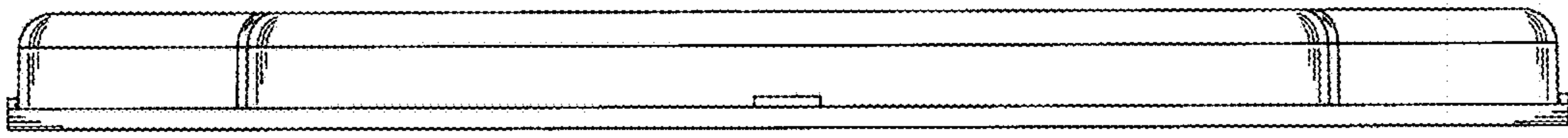


FIG. 5

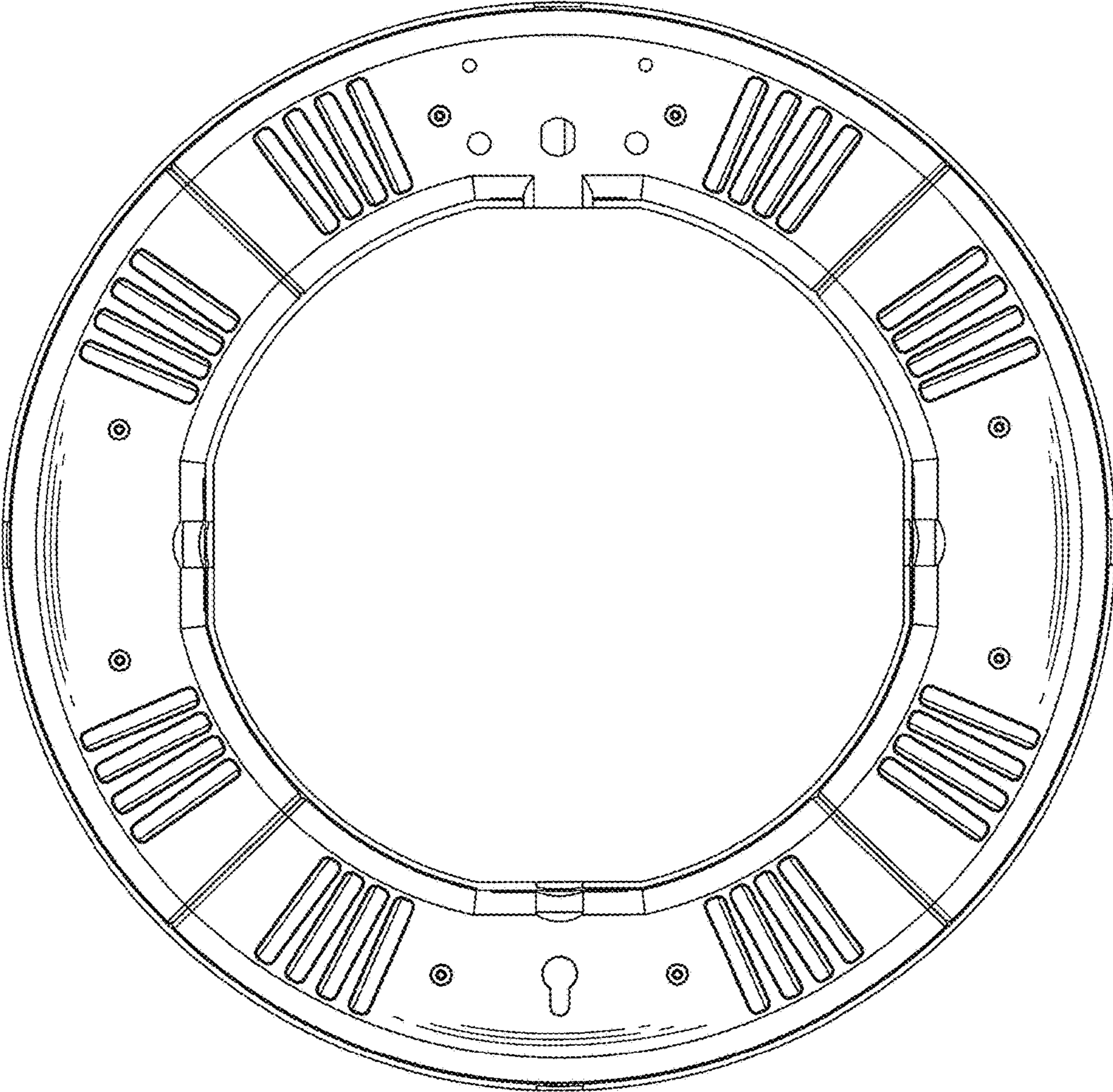


FIG. 6

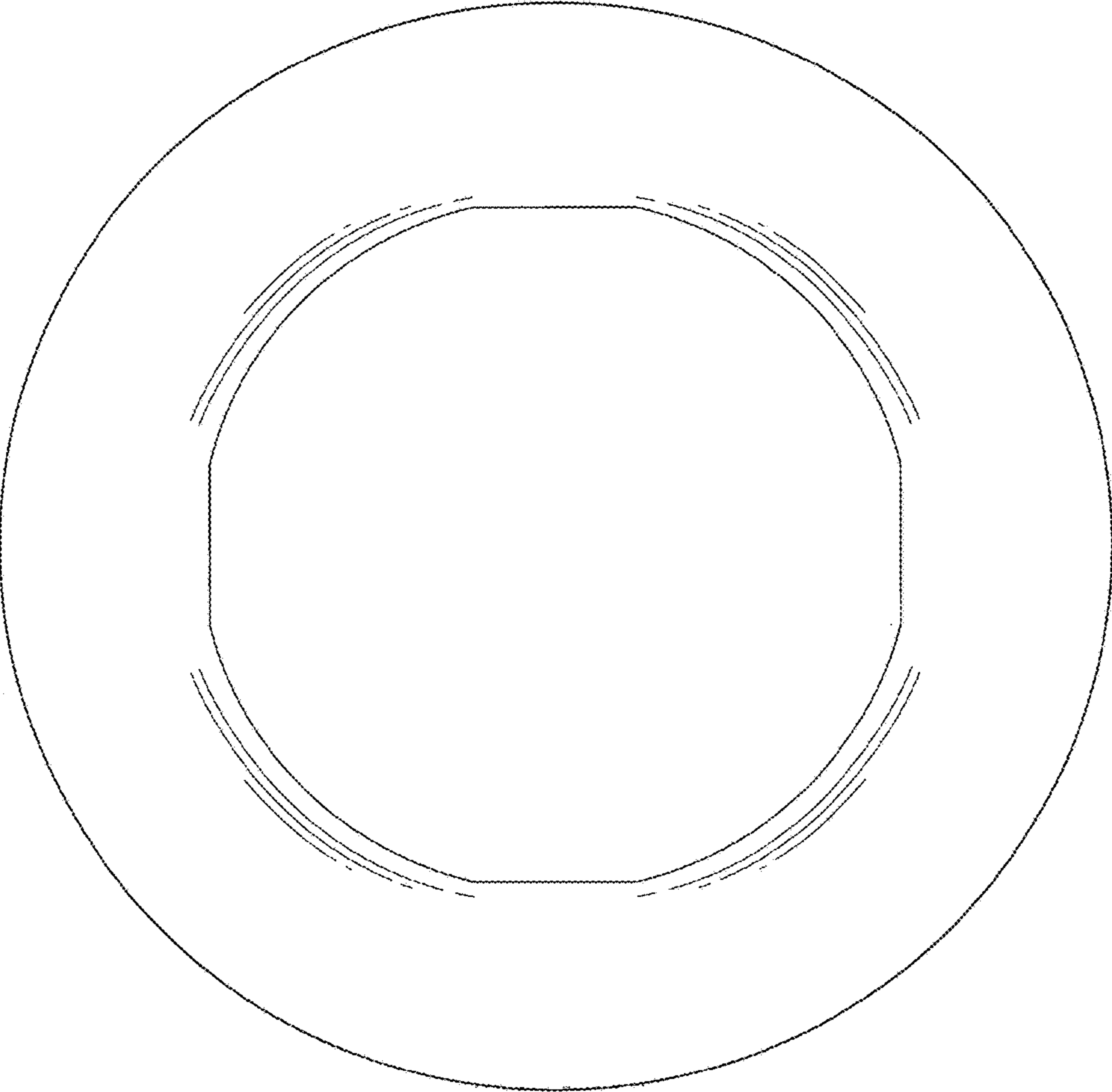


FIG. 7