



US00D860482S

(12) **United States Design Patent**  
**Yu**

(10) **Patent No.:** **US D860,482 S**

(45) **Date of Patent:** **\*\* Sep. 17, 2019**

(54) **LIGHT BULB**

(71) Applicant: **Chengjia Yu**, Shenzhen (CN)

(72) Inventor: **Chengjia Yu**, Shenzhen (CN)

(\*\*) Term: **15 Years**

(21) Appl. No.: **29/649,700**

(22) Filed: **May 31, 2018**

(51) **LOC (12) Cl.** ..... **26-04**

(52) **U.S. Cl.**  
USPC ..... **D26/2**

(58) **Field of Classification Search**  
USPC ..... D26/1-4  
CPC ..... H01R 5/00; H01R 13/46; H01R 13/514;  
H01R 31/048; H01R 31/02; H01J 5/00;  
H01J 5/16; H01J 1/02; H01J 15/00; H01J  
5/48; H01J 5/50; H01J 19/54; F21V 5/00;  
F21K 9/00; F21K 13/00  
See application file for complete search history.

(56) **References Cited**

**U.S. PATENT DOCUMENTS**

D553,266 S \* 10/2007 Maxik ..... D26/2  
D566,300 S \* 4/2008 Lo ..... D26/2

D584,838 S \* 1/2009 To ..... D26/2  
D646,802 S \* 10/2011 Guohui ..... D26/2  
D695,426 S \* 12/2013 Tu ..... D26/2

\* cited by examiner

*Primary Examiner* — Marcus A Jackson

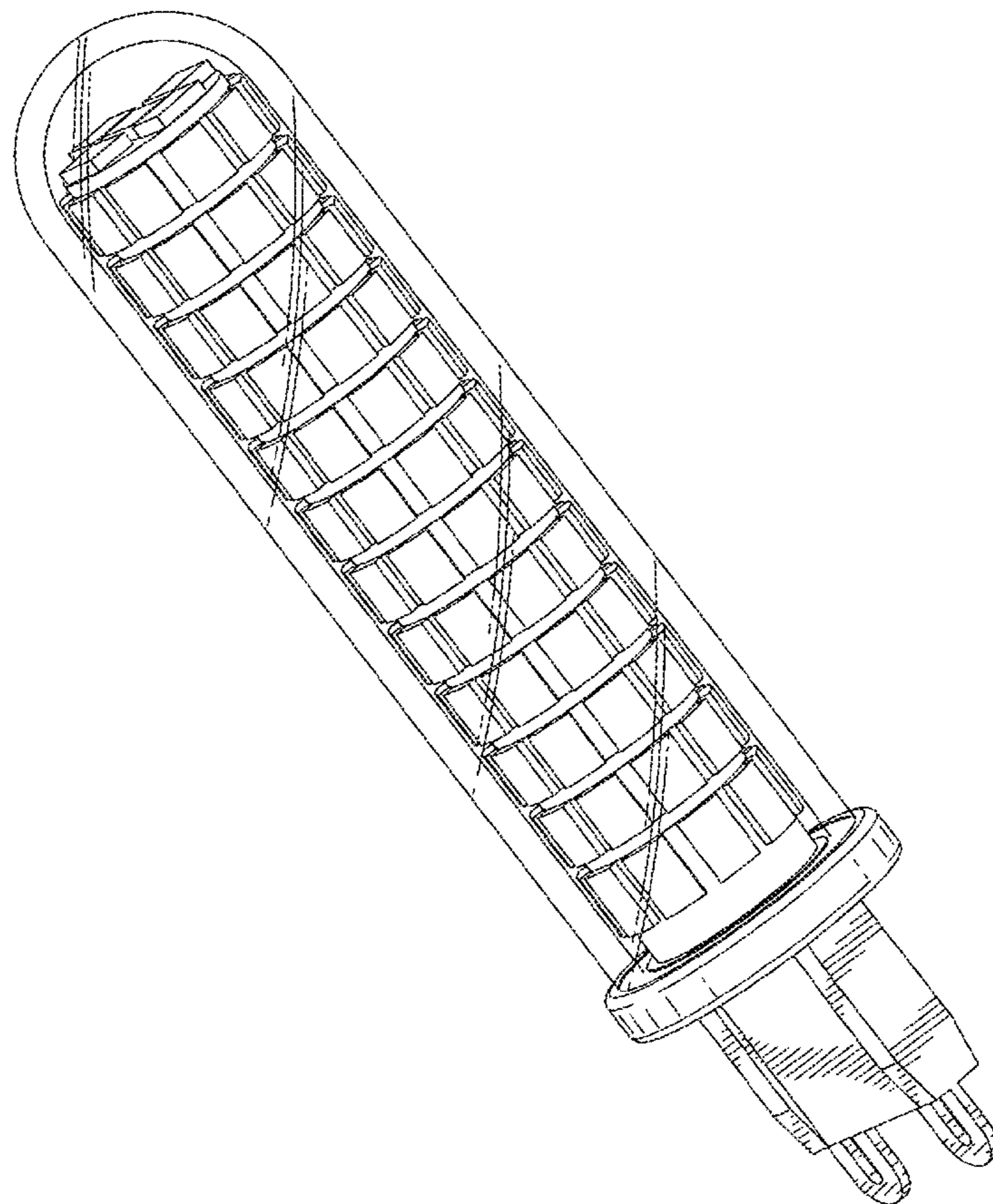
(57) **CLAIM**

The ornamental design for a light bulb, as shown.

**DESCRIPTION**

FIG. 1 is a front elevational view of a light bulb showing my new design;  
FIG. 2 is a rear elevational view thereof;  
FIG. 3 is a left side view thereof;  
FIG. 4 is a right side view thereof;  
FIG. 5 is a top plan view in enlarge scale thereof;  
FIG. 6 is a bottom plan view in enlarge scale thereof; and,  
FIG. 7 is a perspective view thereof.

**1 Claim, 7 Drawing Sheets**



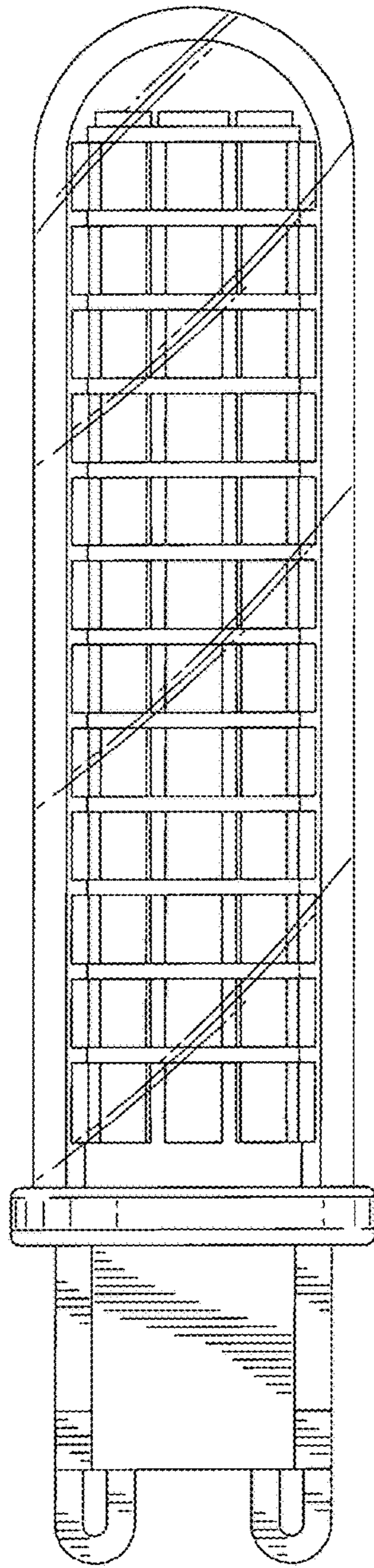


Fig. 1

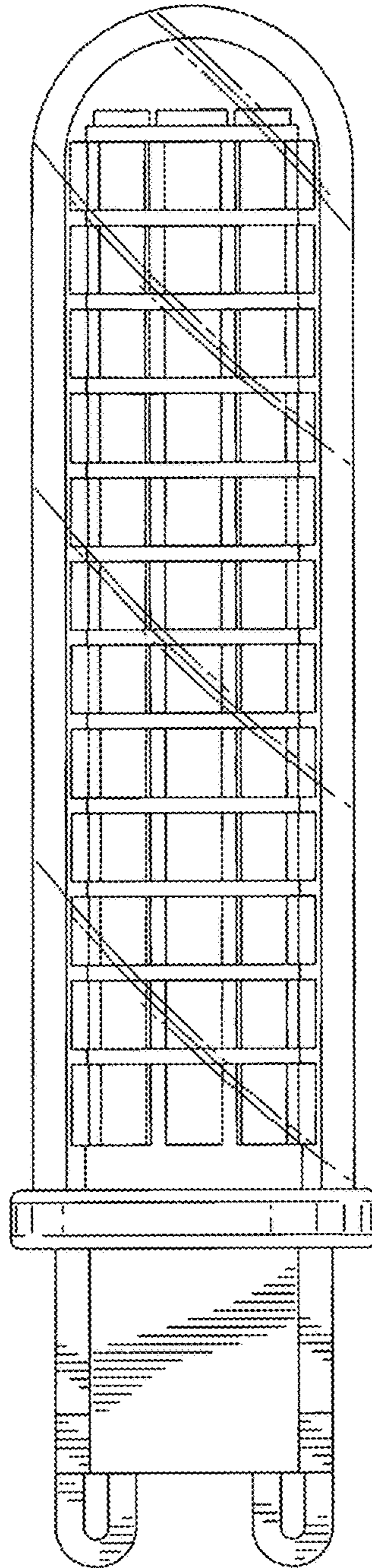


Fig. 2

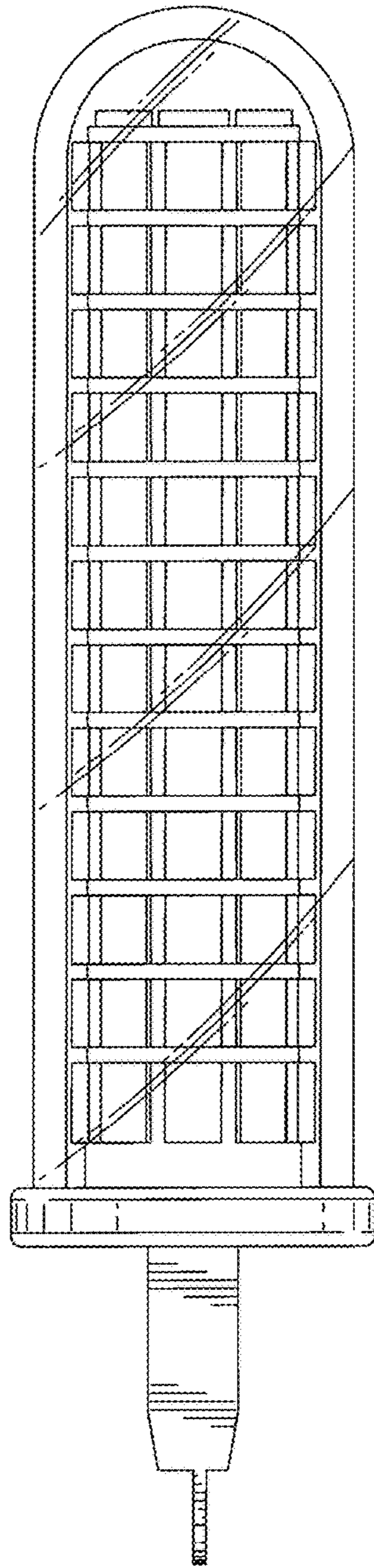


Fig. 3



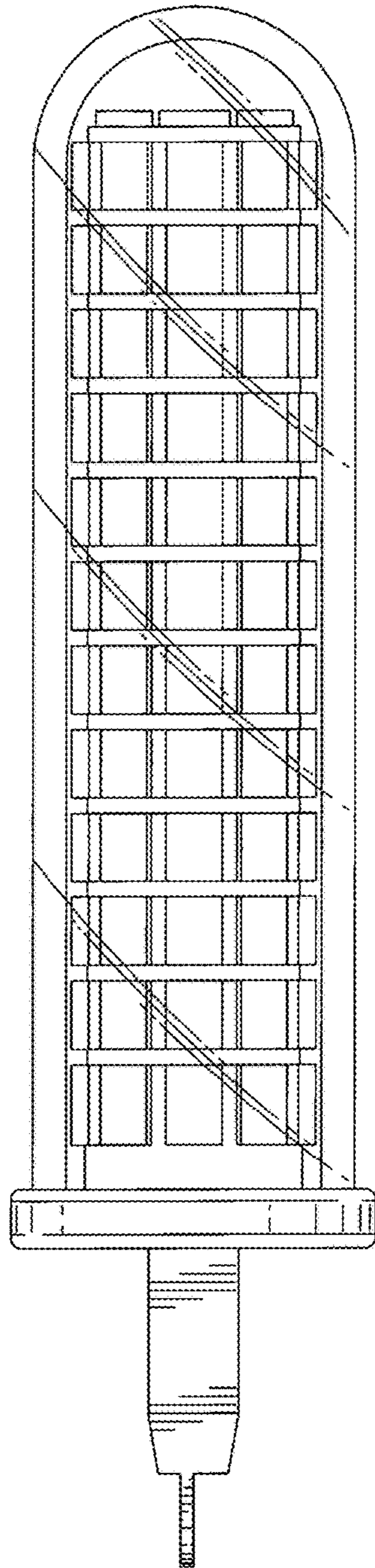


Fig. 4

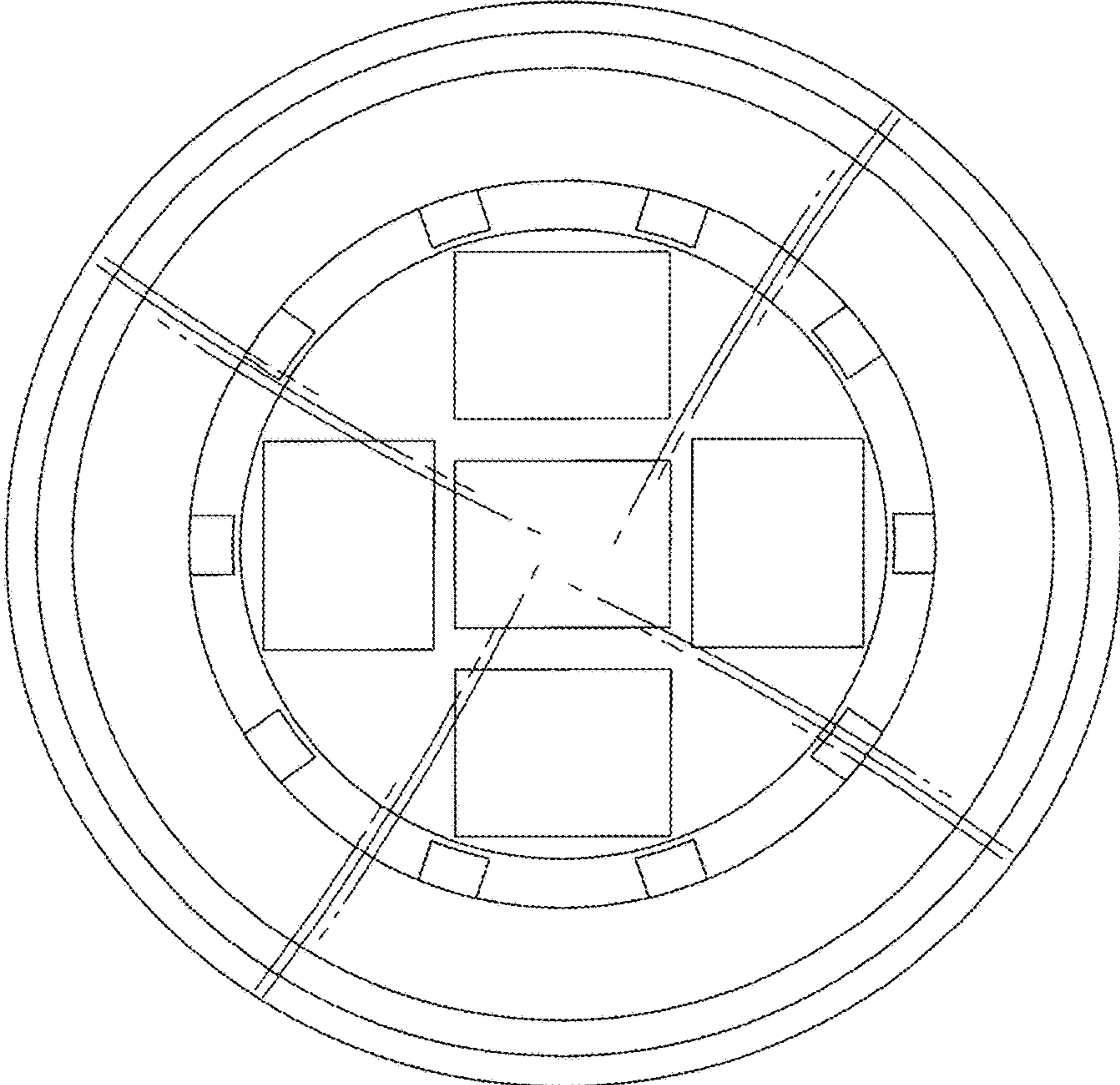
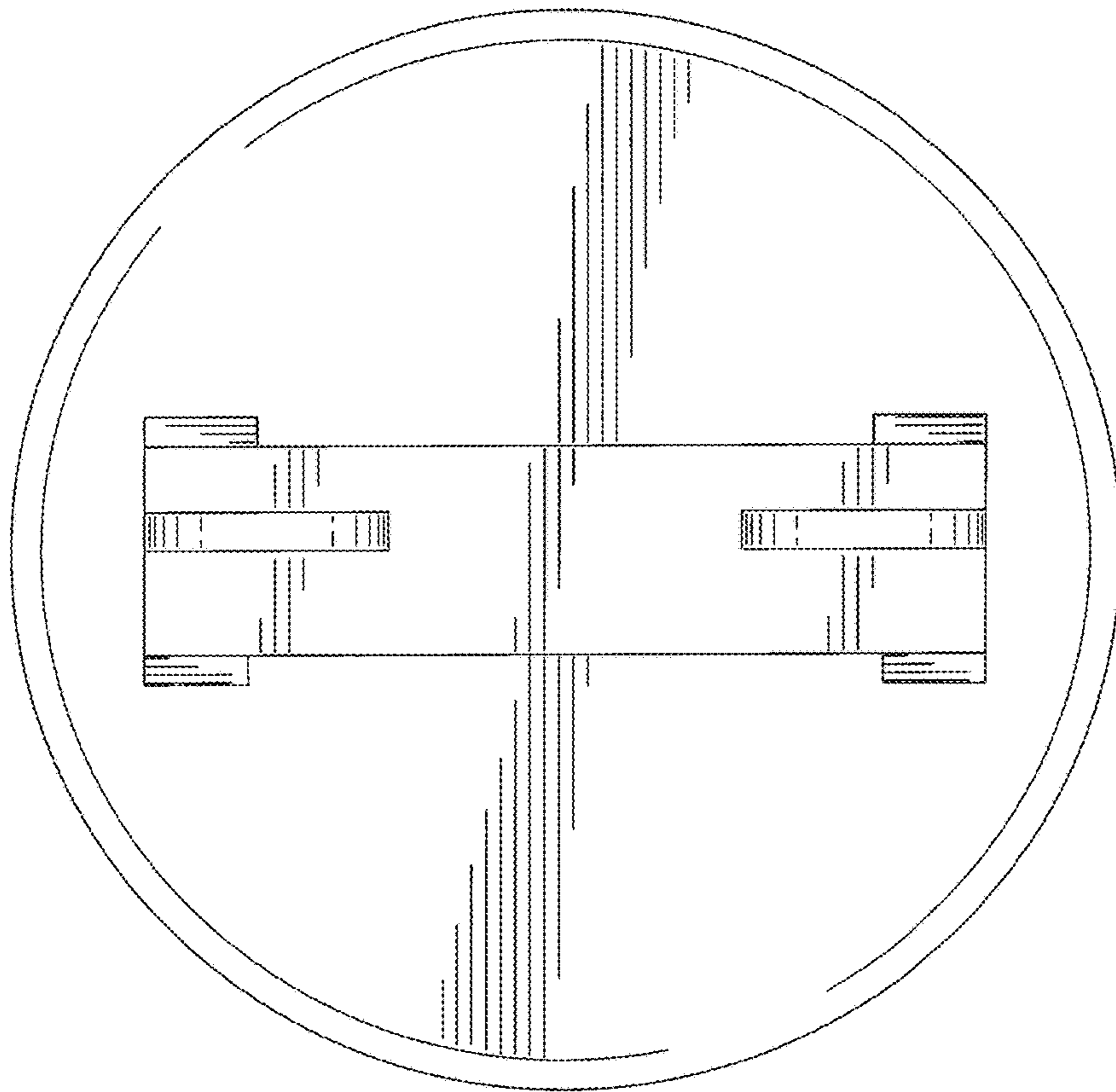


Fig. 5



**Fig. 6**

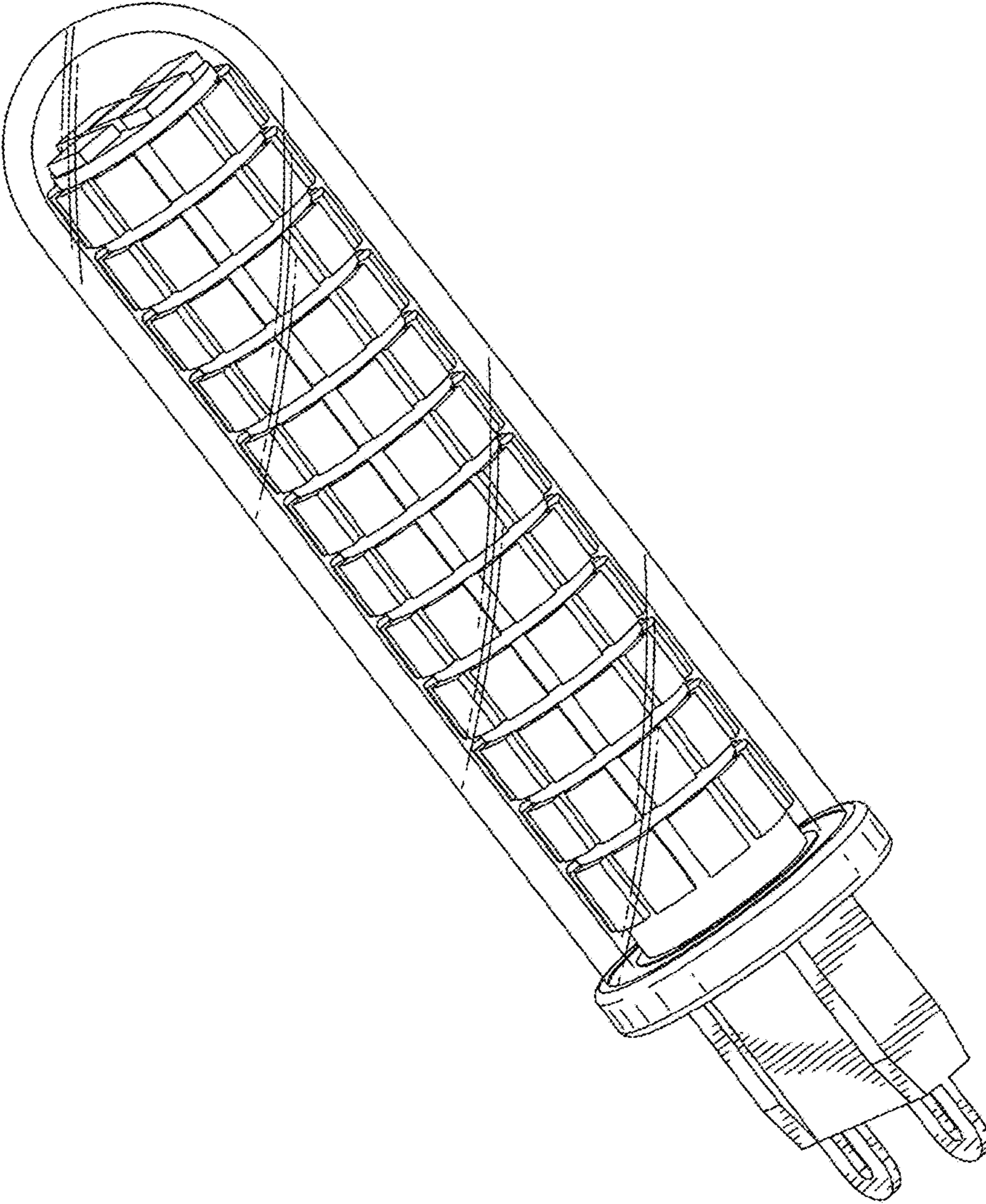


Fig. 7