

US00D860481S

(12) **United States Design Patent** (10) **Patent No.:** **US D860,481 S**
Amin (45) **Date of Patent:** **** Sep. 17, 2019**

(54) **LED LAMP**

- (71) Applicant: **Harry Amin**, Rock Hill, SC (US)
- (72) Inventor: **Harry Amin**, Rock Hill, SC (US)
- (73) Assignee: **Arva, LLC**, Rock Hill, SC (US)
- (**) Term: **15 Years**
- (21) Appl. No.: **29/610,139**

- (22) Filed: **Jul. 10, 2017**
- (51) **LOC (12) Cl.** **26-01**
- (52) **U.S. Cl.**
USPC **D26/2**
- (58) **Field of Classification Search**
USPC D26/1-4, 61, 63
CPC H01R 5/00; H01R 13/46; H01R 31/02;
H01R 31/048; F21V 5/00; H01J 5/00;
H01J 5/16; H01J 19/54; H01J 5/50; H01J
5/48; H01J 15/00

See application file for complete search history.

(56) **References Cited**

U.S. PATENT DOCUMENTS

D567,422 S	4/2008	Gordin et al.	
D573,285 S	7/2008	Zettl	
D580,577 S	11/2008	Wang et al.	
D634,871 S	3/2011	Wooh	
D733,333 S *	6/2015	Lee	D26/2
D733,941 S *	7/2015	Chen	D26/2
D735,384 S	7/2015	Ehsani	
D739,975 S *	9/2015	Campos	D26/63
D763,478 S *	8/2016	Lee	D26/2
D767,191 S	9/2016	DeMaio et al.	
D782,082 S *	3/2017	Shalvi	D26/2
D789,581 S	6/2017	Peard	
D815,769 S	4/2018	Gong	
D818,171 S	5/2018	Brynjolfsson	
D825,806 S	8/2018	Jurik et al.	
D825,829 S	8/2018	Guo	
D827,877 S *	9/2018	Cai	D26/2
D830,585 S *	10/2018	Grandadam	D26/2
D838,398 S	1/2019	Joye	

OTHER PUBLICATIONS

- Amin, Harry; Restriction Requirement for U.S. Appl. No. 29/641,329, filed Mar. 21, 2018, dated Mar. 8, 2019, 5 pages.
- Amin, Harry; Restriction Requirement for U.S. Appl. No. 29/641,330, filed Mar. 21, 2018, dated Mar. 8, 2019, 5 pages.
- Amin, Harry; Restriction Requirement for U.S. Appl. No. 29/641,333, filed Mar. 21, 2018, dated Mar. 8, 2019, 5 pages.
- Amin, Harry; Restriction Requirement for U.S. Appl. No. 29/641,335, filed Mar. 21, 2018, dated Mar. 11, 2019, 5 pages.

* cited by examiner

Primary Examiner — Brian N. Vinson

(74) *Attorney, Agent, or Firm* — Taylor English Duma LLP

(57) **CLAIM**

The ornamental design for an LED lamp, as shown and described.

DESCRIPTION

FIG. 1 is a perspective view of an LED lamp showing my new design.

FIG. 2 is a front elevation view of the LED lamp as shown in FIG. 1 showing my new design.

FIG. 3 is a rear elevation view of the LED lamp as shown in FIG. 1 showing my new design.

FIG. 4 is a right side elevation view of the LED lamp as shown in FIG. 1 showing my new design.

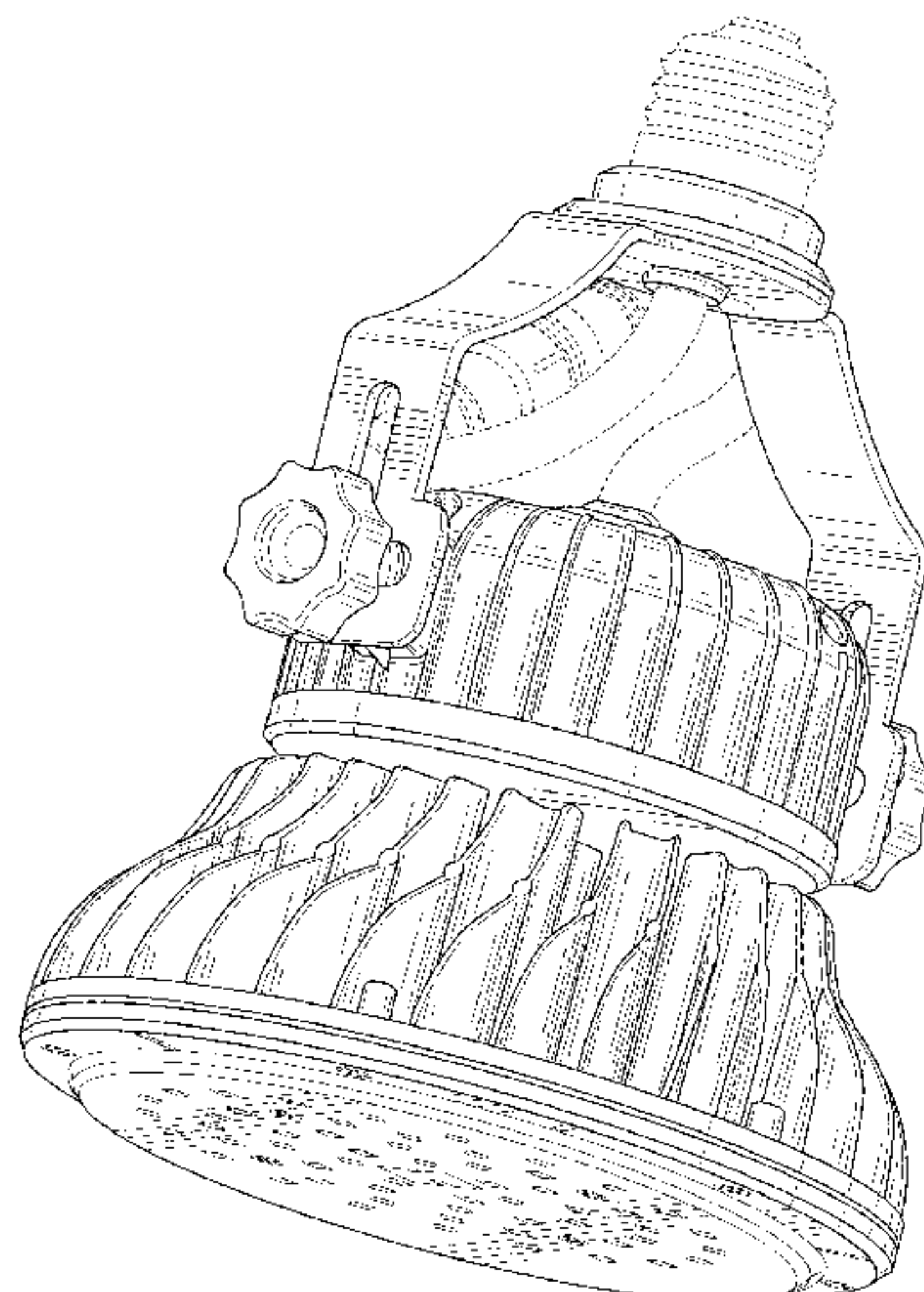
FIG. 5 is a left side elevation view of the LED lamp as shown in FIG. 1 showing my new design.

FIG. 6 is a bottom plan view of the LED lamp as shown in FIG. 1 showing my new design; and,

FIG. 7 is a top plan view of the LED lamp as shown in FIG. 1 showing my new design.

The broken line disclosure represents portions of the lamp which form no part of the claimed design.

1 Claim, 7 Drawing Sheets



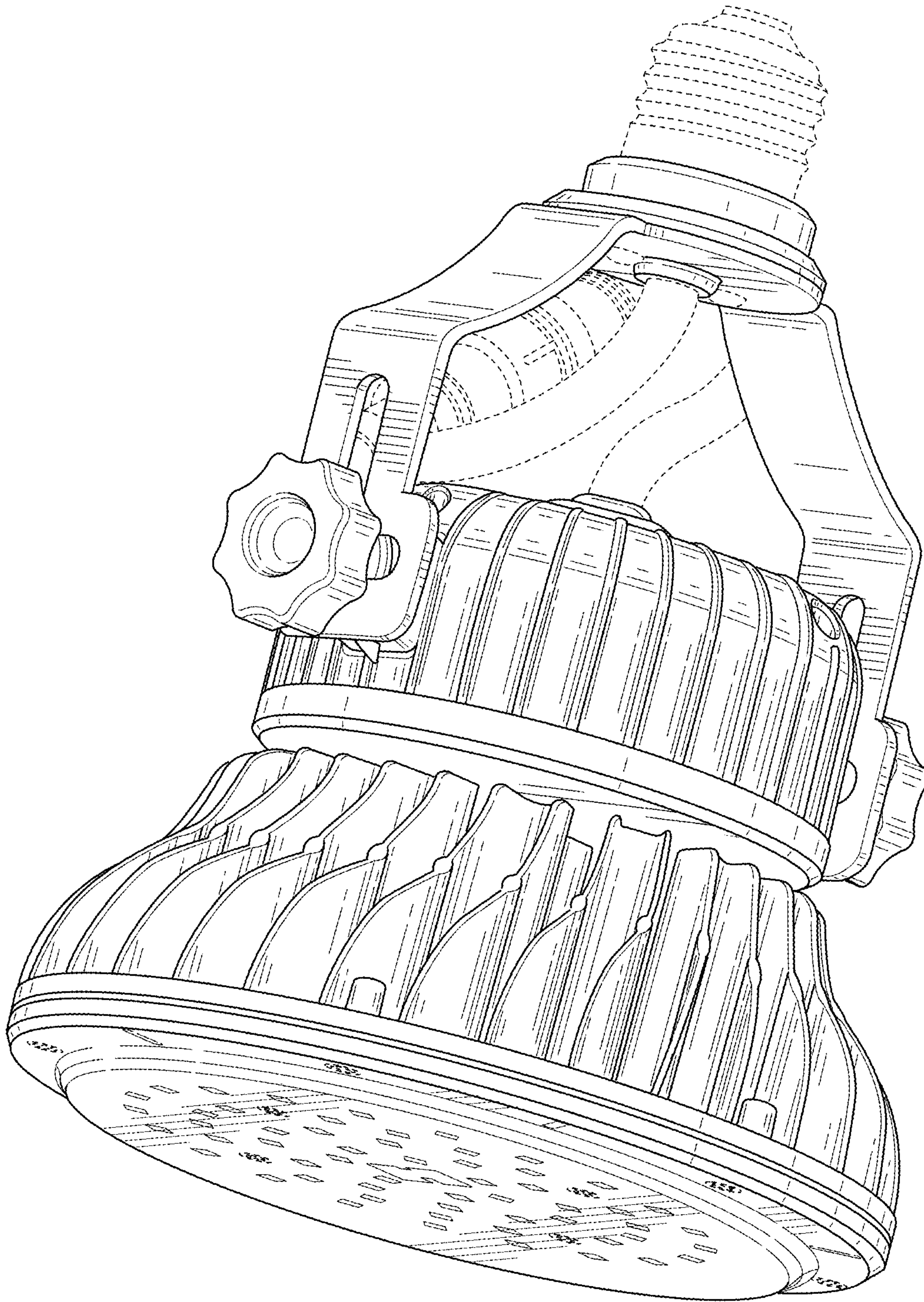


FIG. 1

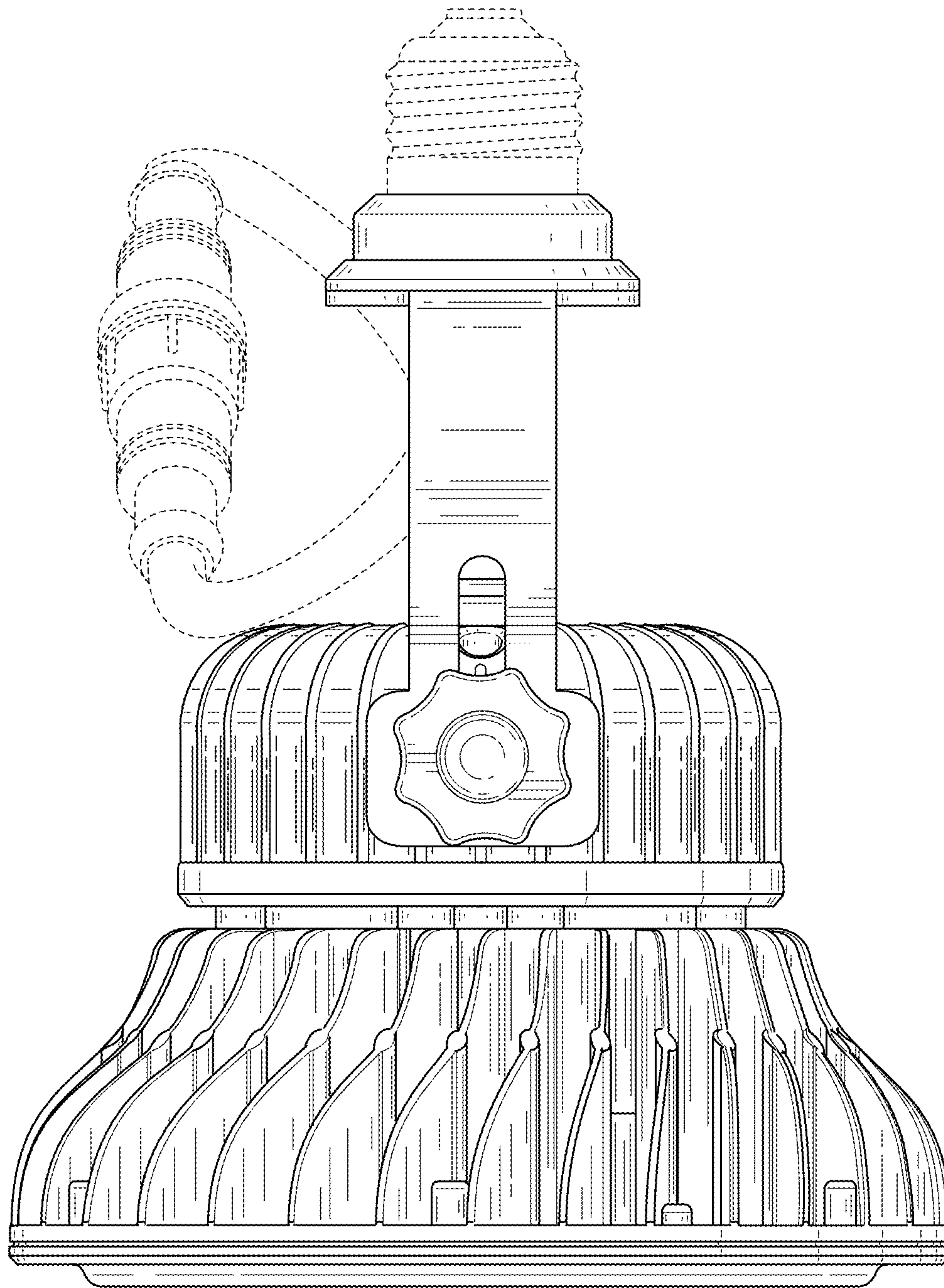


FIG. 2

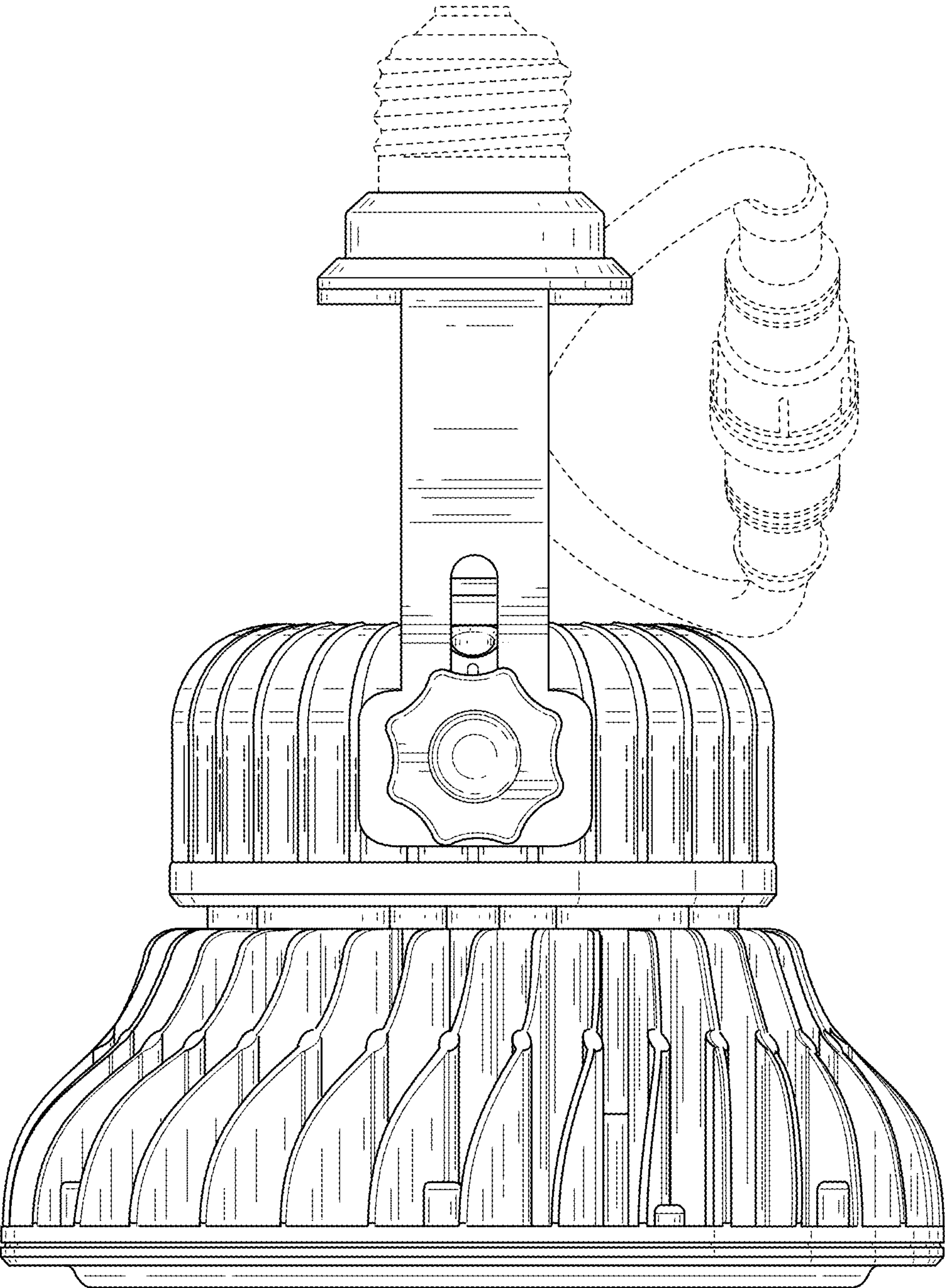


FIG. 3

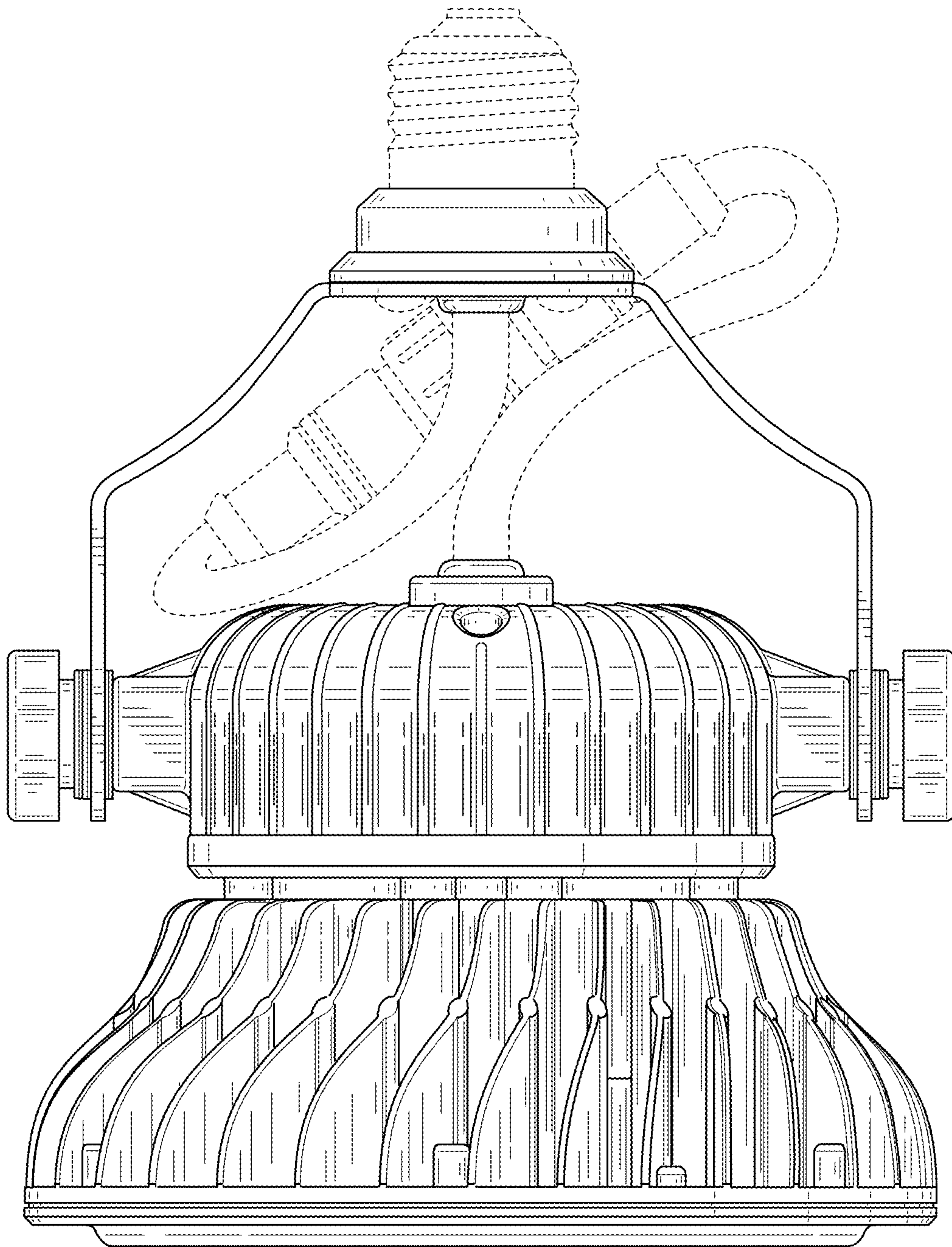


FIG. 4

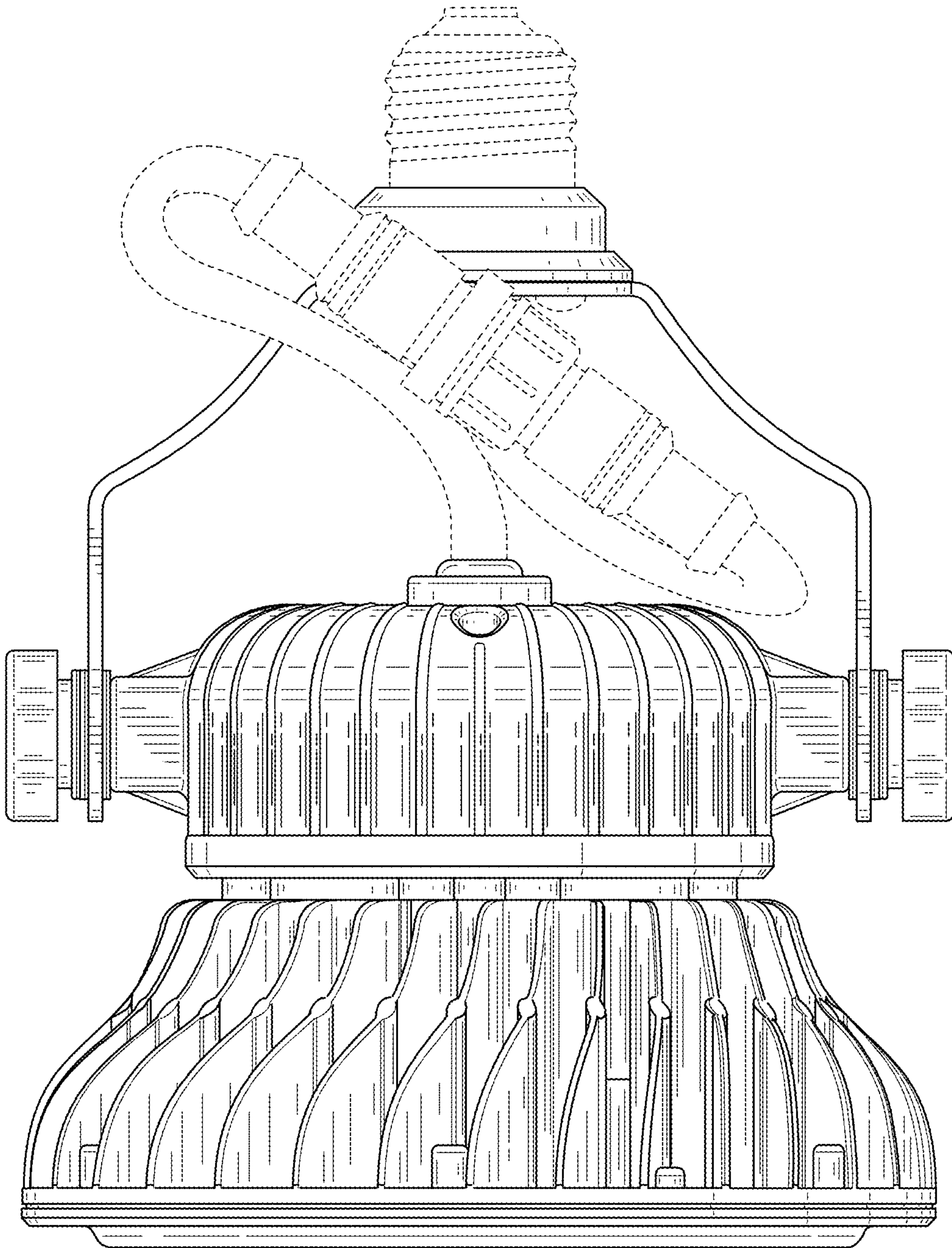


FIG. 5

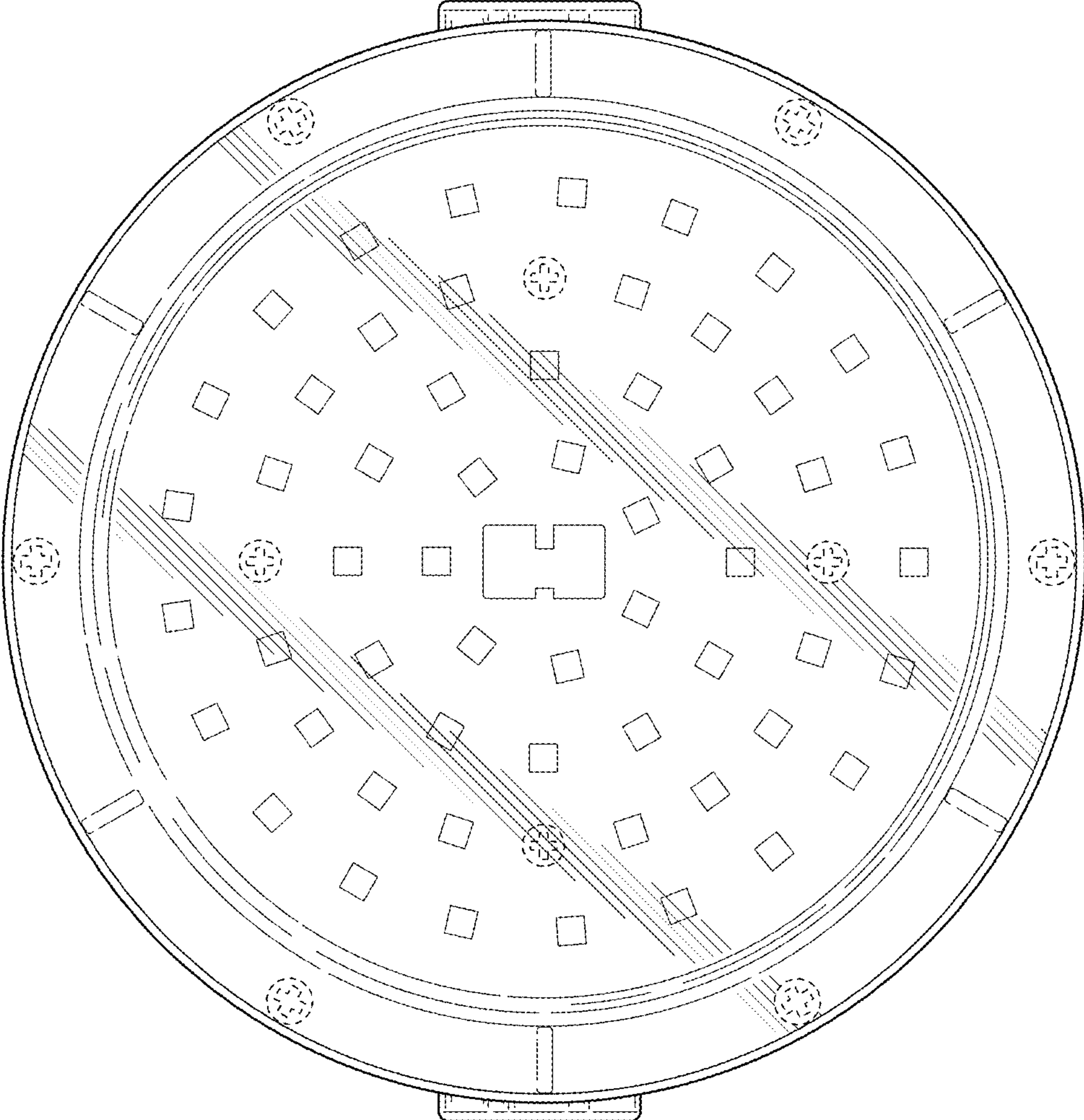


FIG. 6

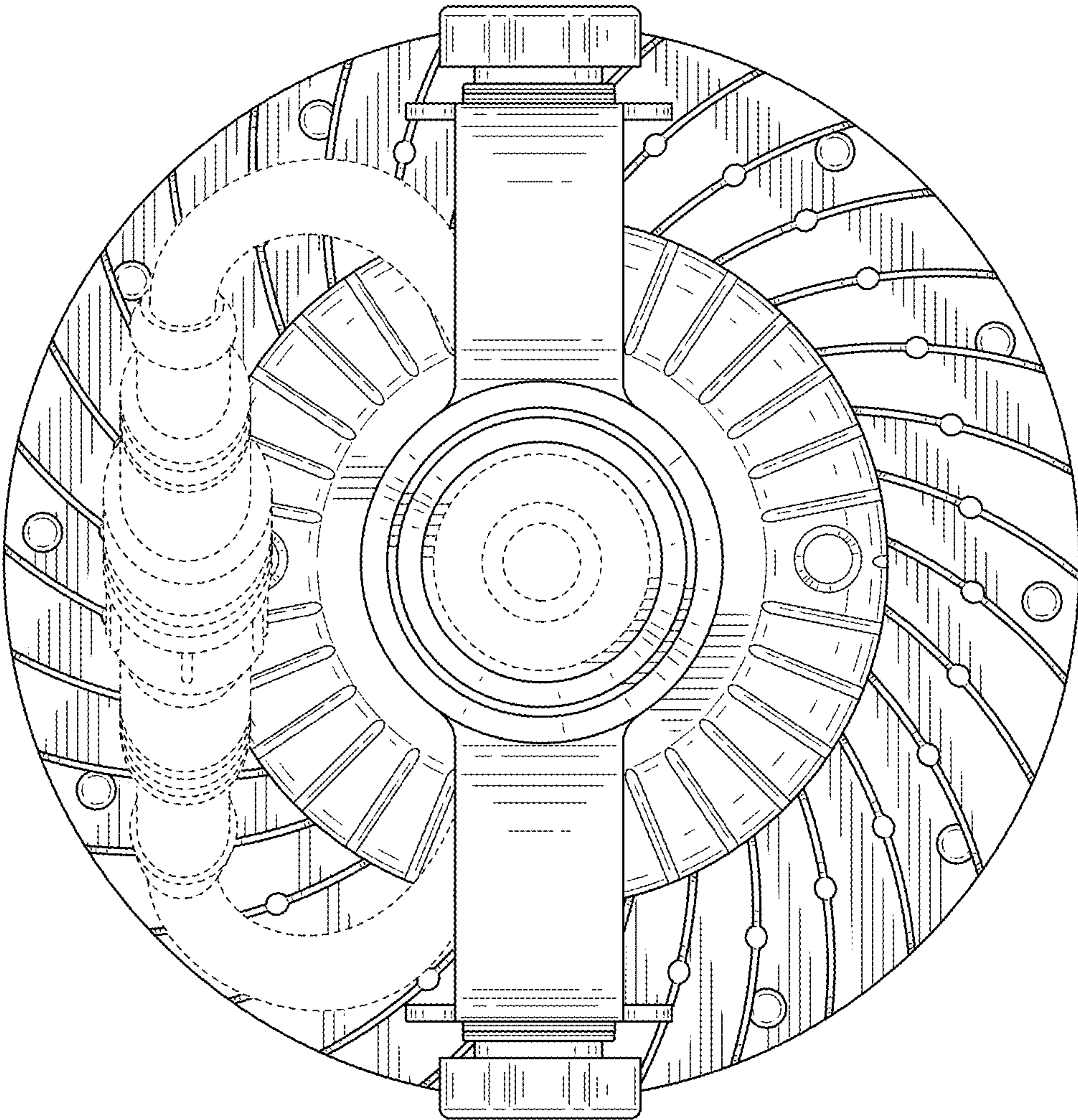


FIG. 7