



US00D860480S

(12) **United States Design Patent** (10) **Patent No.:** **US D860,480 S**
Liu et al. (45) **Date of Patent:** **** Sep. 17, 2019**

(54) **LIGHT-EMITTING DIODE UNIT**

(71) Applicant: **EPISTAR CORPORATION**, Hsinchu (TW)

(72) Inventors: **Chien-Liang Liu**, Hsinchu (TW);
Chun-Hung Liu, Hsinchu (TW);
Ming-Chi Hsu, Hsinchu (TW)

(73) Assignee: **Epistar Corporation**, Hsinchu (TW)

(**) Term: **15 Years**

(21) Appl. No.: **29/589,928**

(22) Filed: **Jan. 5, 2017**

Related U.S. Application Data

(63) Continuation-in-part of application No. 29/561,697, filed on Apr. 19, 2016, now Pat. No. Des. 797,321.

Foreign Application Priority Data

Feb. 19, 2016 (TW) 105300752
Jul. 5, 2016 (TW) 105300752D01

(51) **LOC (12) Cl.** **26-04**

(52) **U.S. Cl.**
USPC **D26/1**

(58) **Field of Classification Search**
USPC D26/1-4; D13/180
See application file for complete search history.

References Cited

U.S. PATENT DOCUMENTS

D494,550 S * 8/2004 Hoshiba D13/180
D495,304 S * 8/2004 Kim D13/180

(Continued)

Primary Examiner — Marcus A Jackson

(74) *Attorney, Agent, or Firm* — Muncy, Geissler, Olds & Lowe, P.C.

(57) **CLAIM**

The ornamental design for a light-emitting diode unit, as shown and described.

DESCRIPTION

FIG. 1 is a perspective view of a light-emitting diode unit showing my new design;

FIG. 2 is another perspective view thereof;

FIG. 3 is a front elevational view thereof;

FIG. 4 is a rear elevational view thereof;

FIG. 5 is a left side view thereof;

FIG. 6 is a right side view thereof;

FIG. 7 is a top plan view thereof; and

FIG. 8 is a bottom plan view thereof.

FIG. 9 is a perspective view of a second embodiment of a light-emitting diode unit showing my new design;

FIG. 10 is another perspective view of the second embodiment;

FIG. 11 is a front elevational view of the second embodiment;

FIG. 12 is a rear elevational view of the second embodiment;

FIG. 13 is a left side view of the second embodiment;

FIG. 14 is a right side view of the second embodiment;

FIG. 15 is a top plan view of the third embodiment; and

FIG. 16 is a bottom plan view of the third embodiment.

FIG. 17 is a perspective view of a third embodiment of a light-emitting diode unit showing my new design;

FIG. 18 is another perspective view of the third embodiment;

FIG. 19 is a front elevational view of the third embodiment;

FIG. 20 is a rear elevational view of the third embodiment;

FIG. 21 is a left side view of the third embodiment;

FIG. 22 is a right side view of the third embodiment;

FIG. 23 is a top plan view of the third embodiment; and

FIG. 24 is a bottom plan view of the third embodiment.

FIG. 25 is a perspective view of a fourth embodiment of a light-emitting diode unit showing my new design;

FIG. 26 is another perspective view of the fourth embodiment;

FIG. 27 is a front elevational view of the fourth embodiment;

FIG. 28 is a rear elevational view of the fourth embodiment;

FIG. 29 is a left side view of the fourth embodiment;

(Continued)

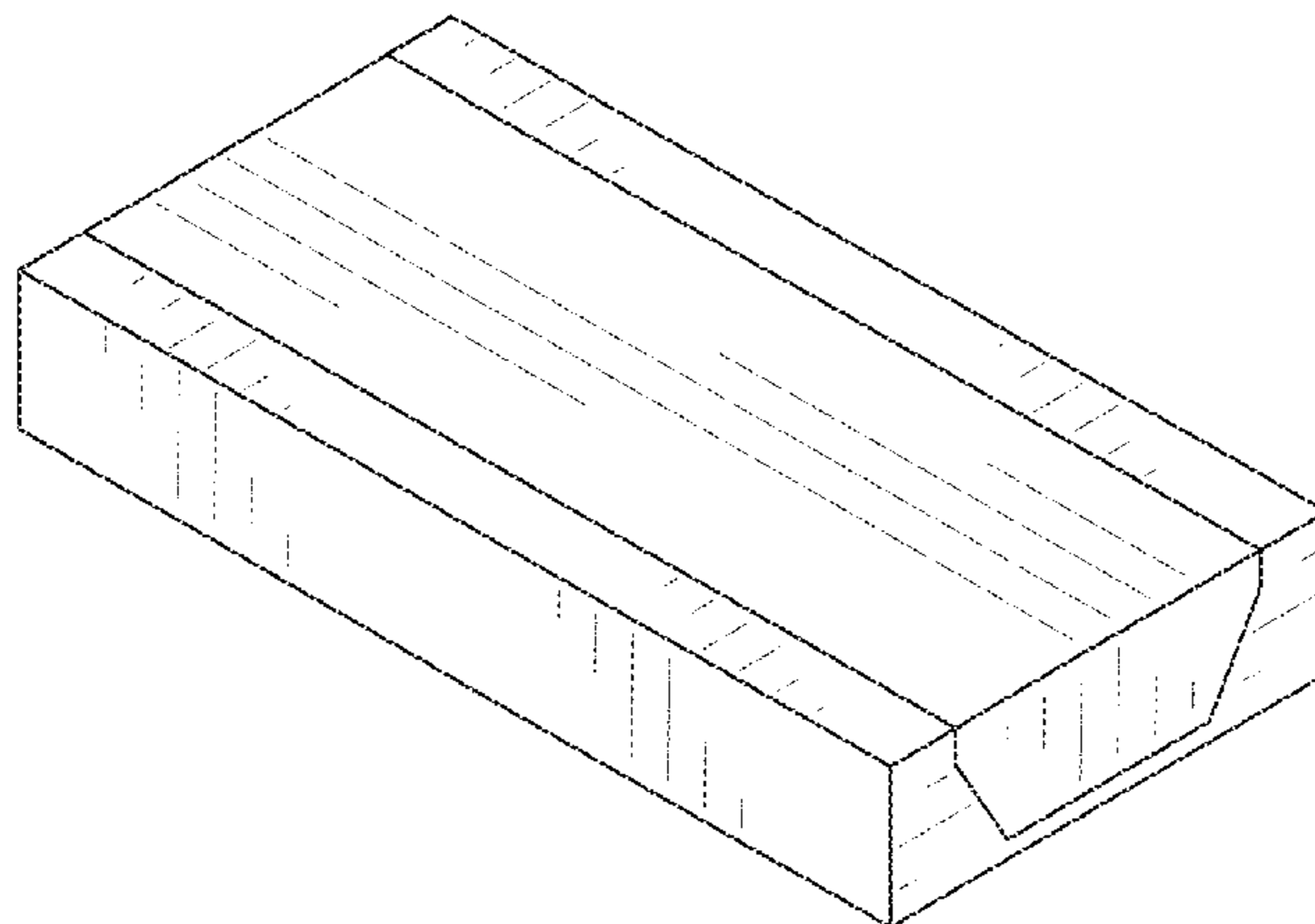


FIG. 30 is a right side view of the fourth embodiment;
FIG. 31 is a top plan view of the fourth embodiment; and,
FIG. 32 is a bottom plan view of the fourth embodiment.
The broken line showing is for the purpose of illustrating
environmental structure only and forms no part of the
claimed design.

1 Claim, 24 Drawing Sheets

(56)

References Cited

U.S. PATENT DOCUMENTS

D632,658 S * 2/2011 Lin D13/180
D640,993 S * 7/2011 Lin D13/180

* cited by examiner

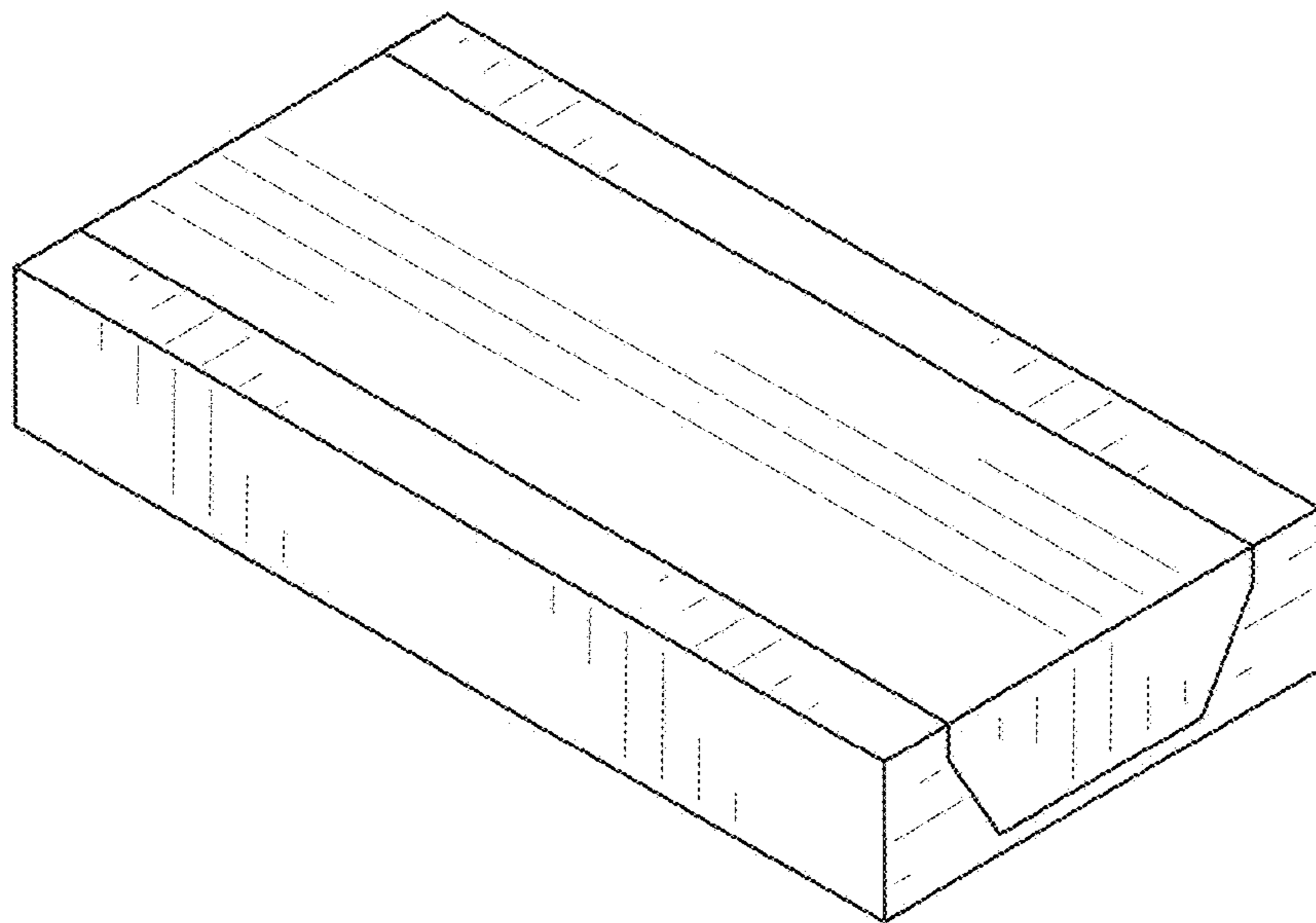


FIG. 1

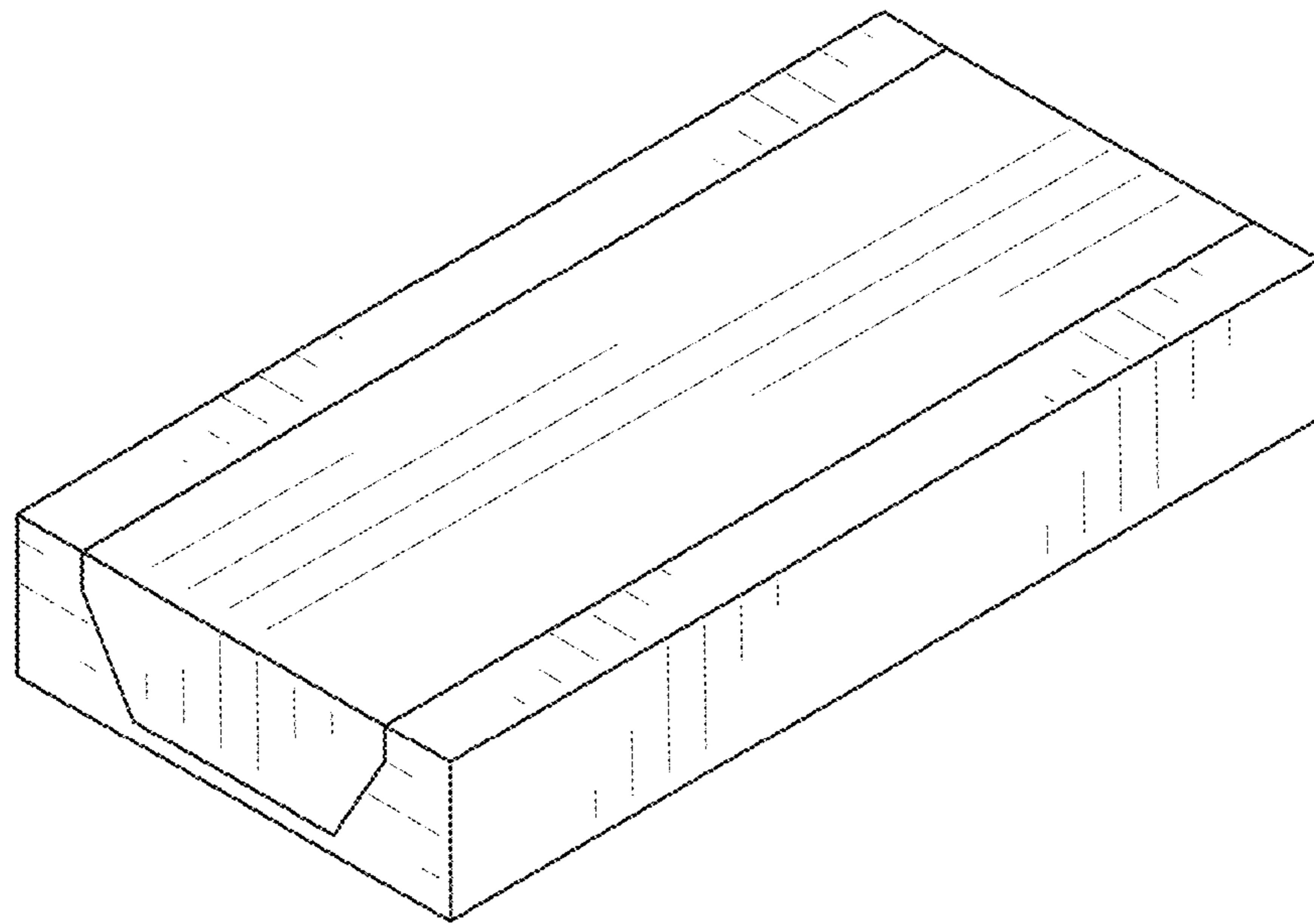


FIG. 2

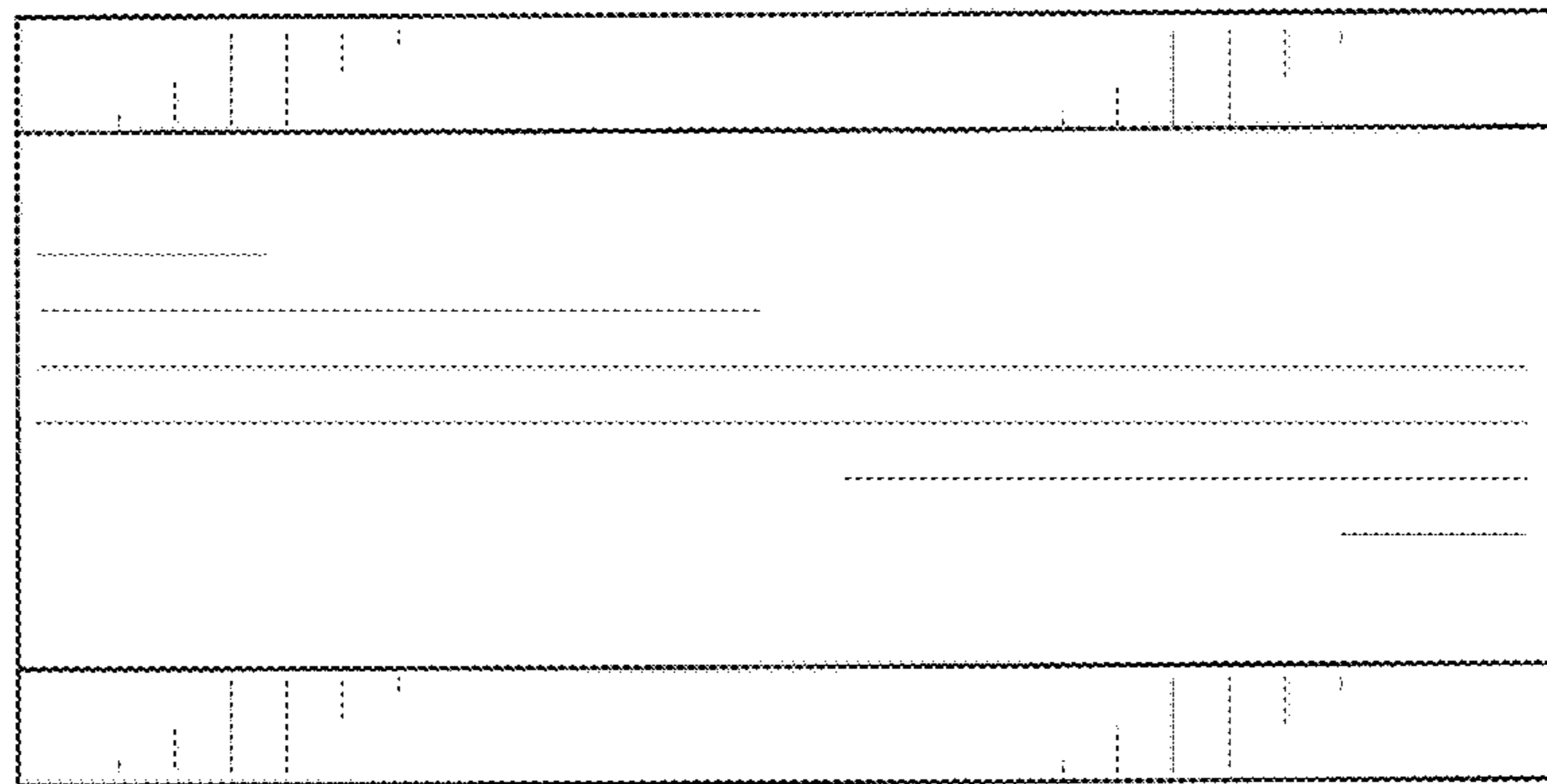


FIG. 3

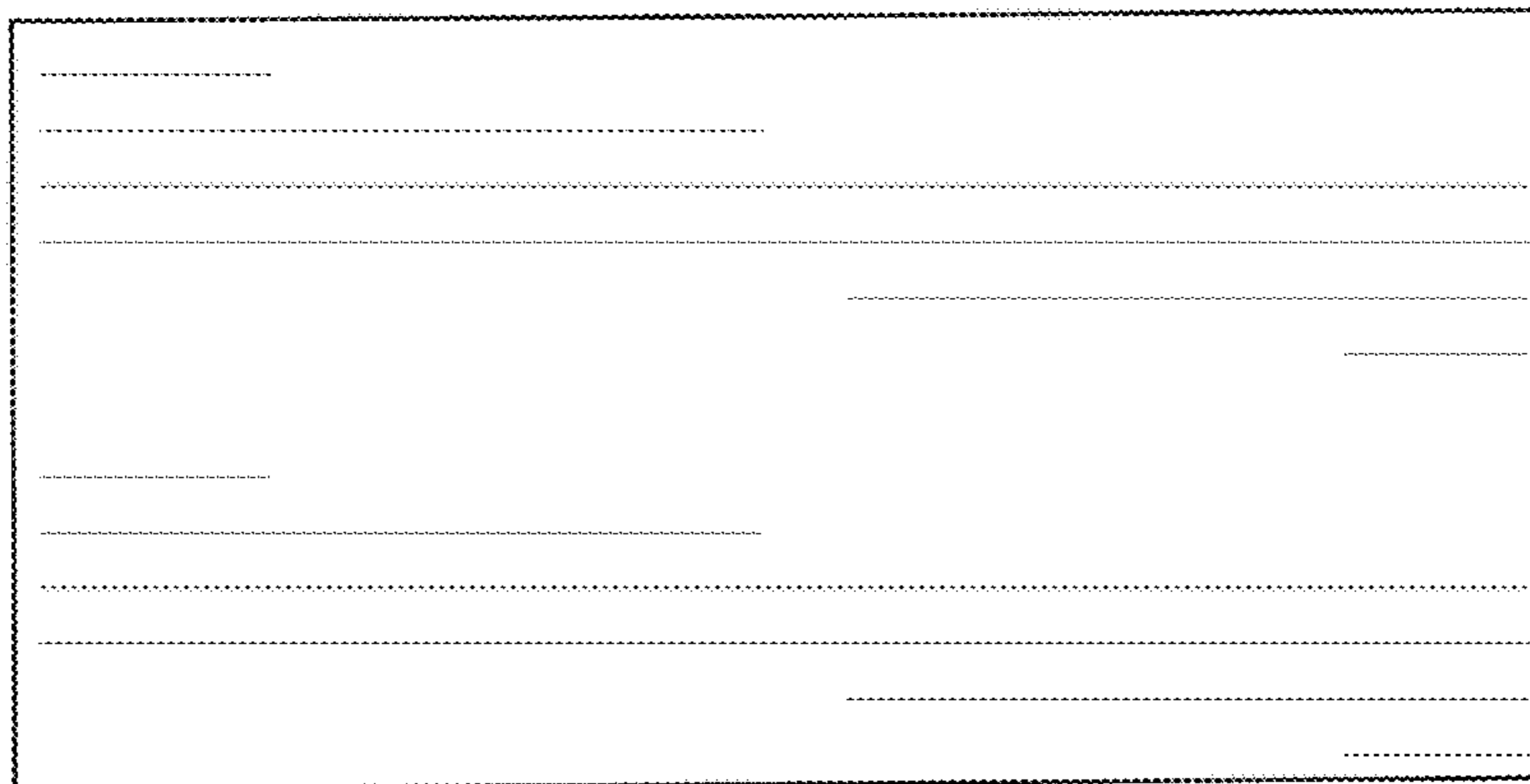


FIG. 4

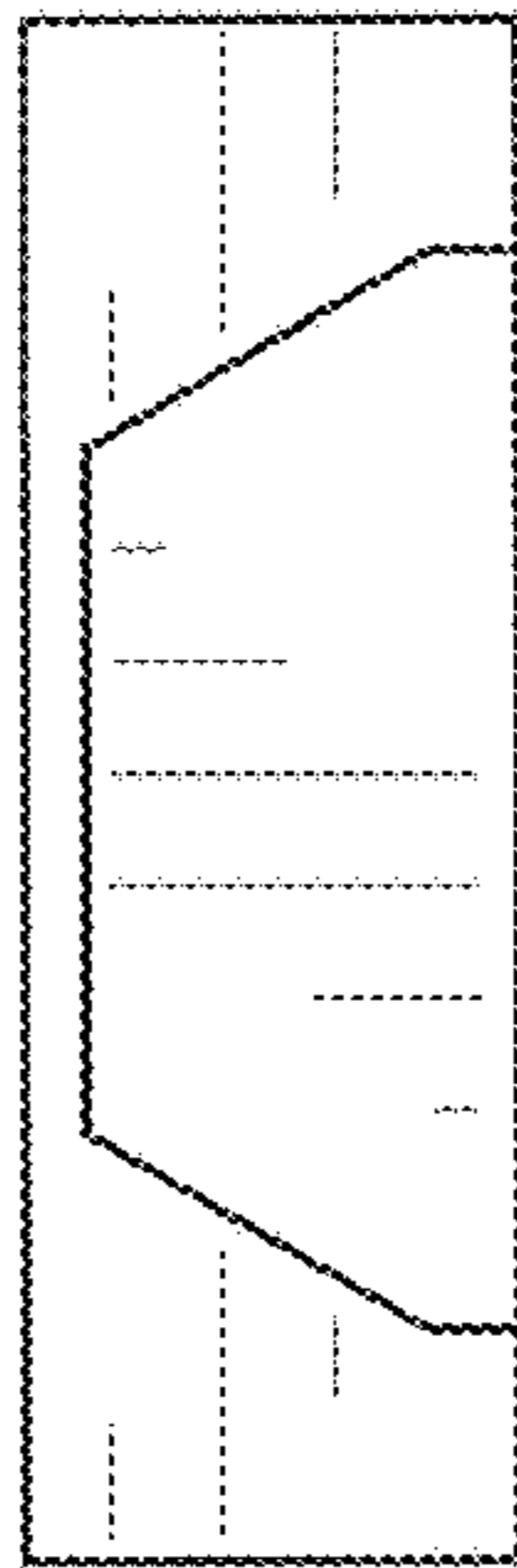


FIG. 5

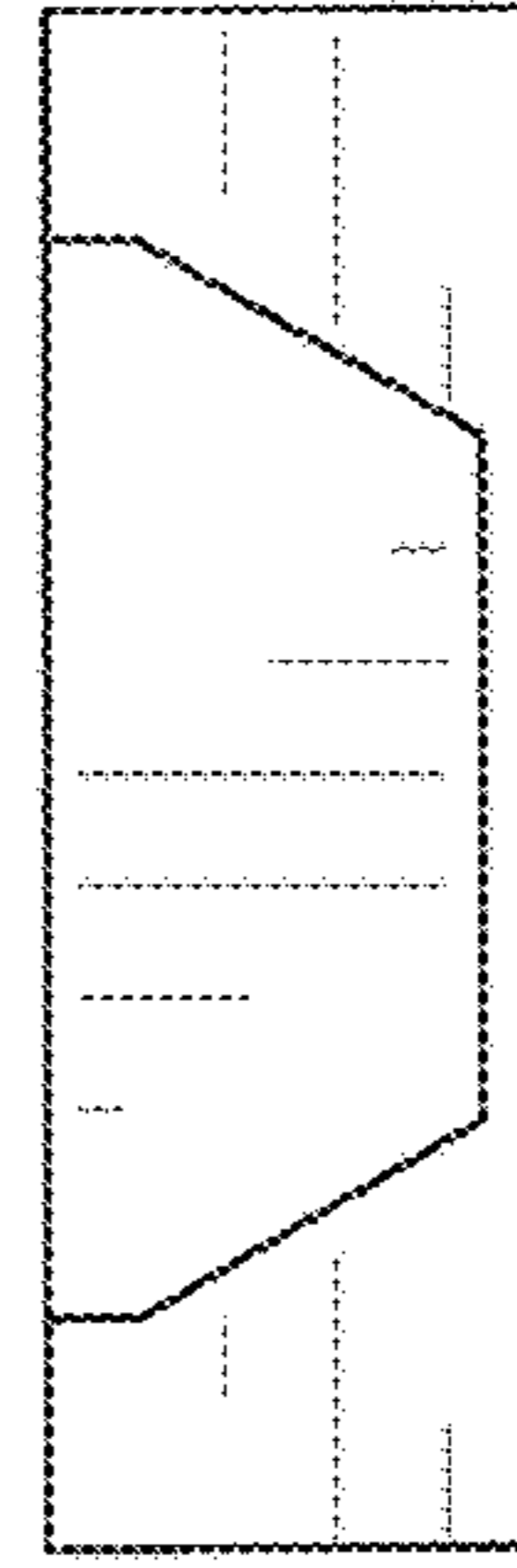


FIG. 6



FIG. 7

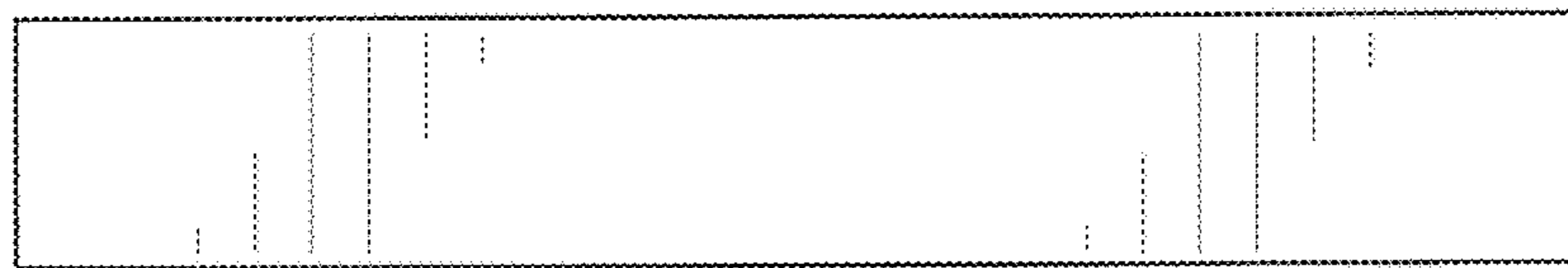


FIG. 8

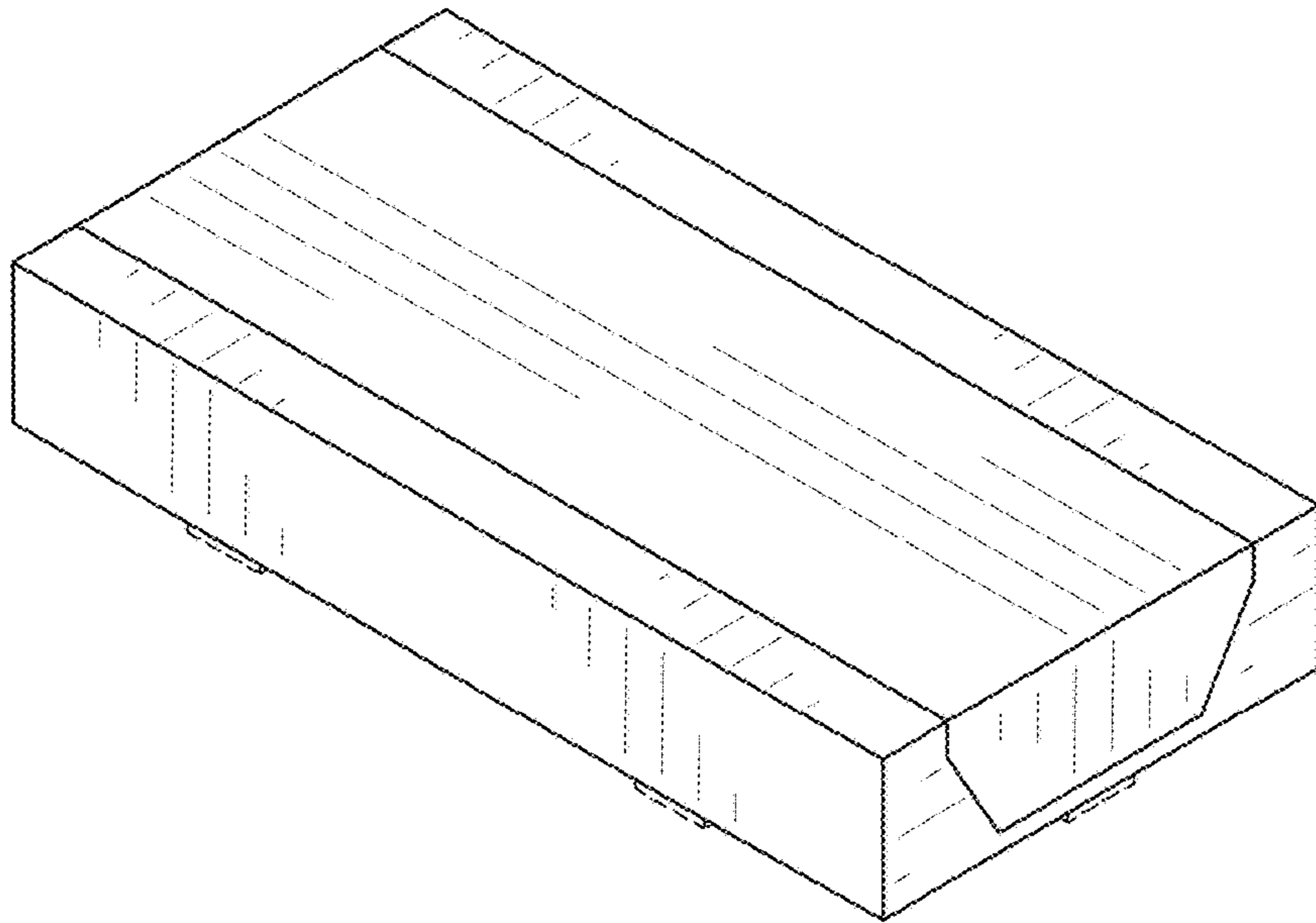


FIG. 9

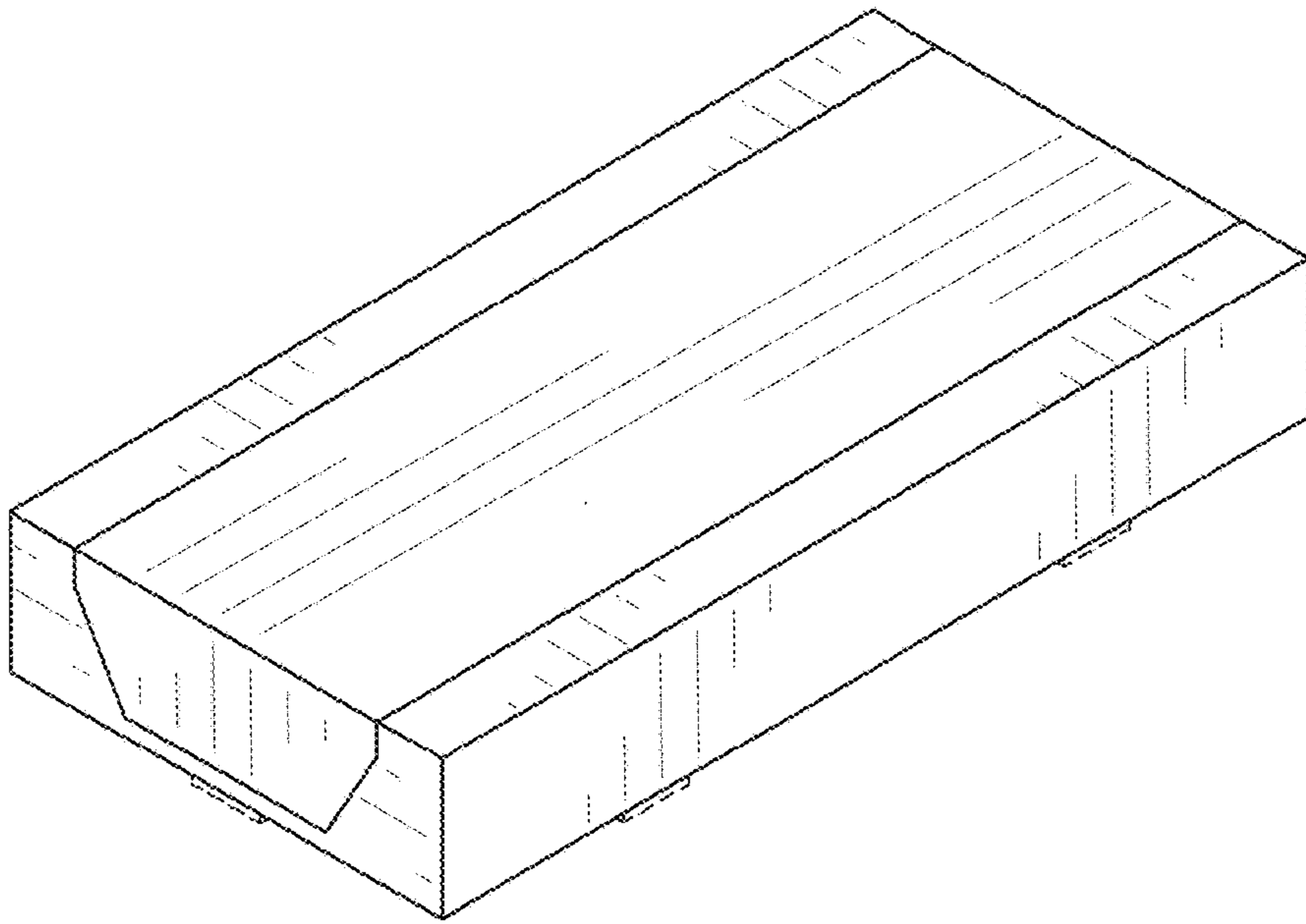


FIG. 10

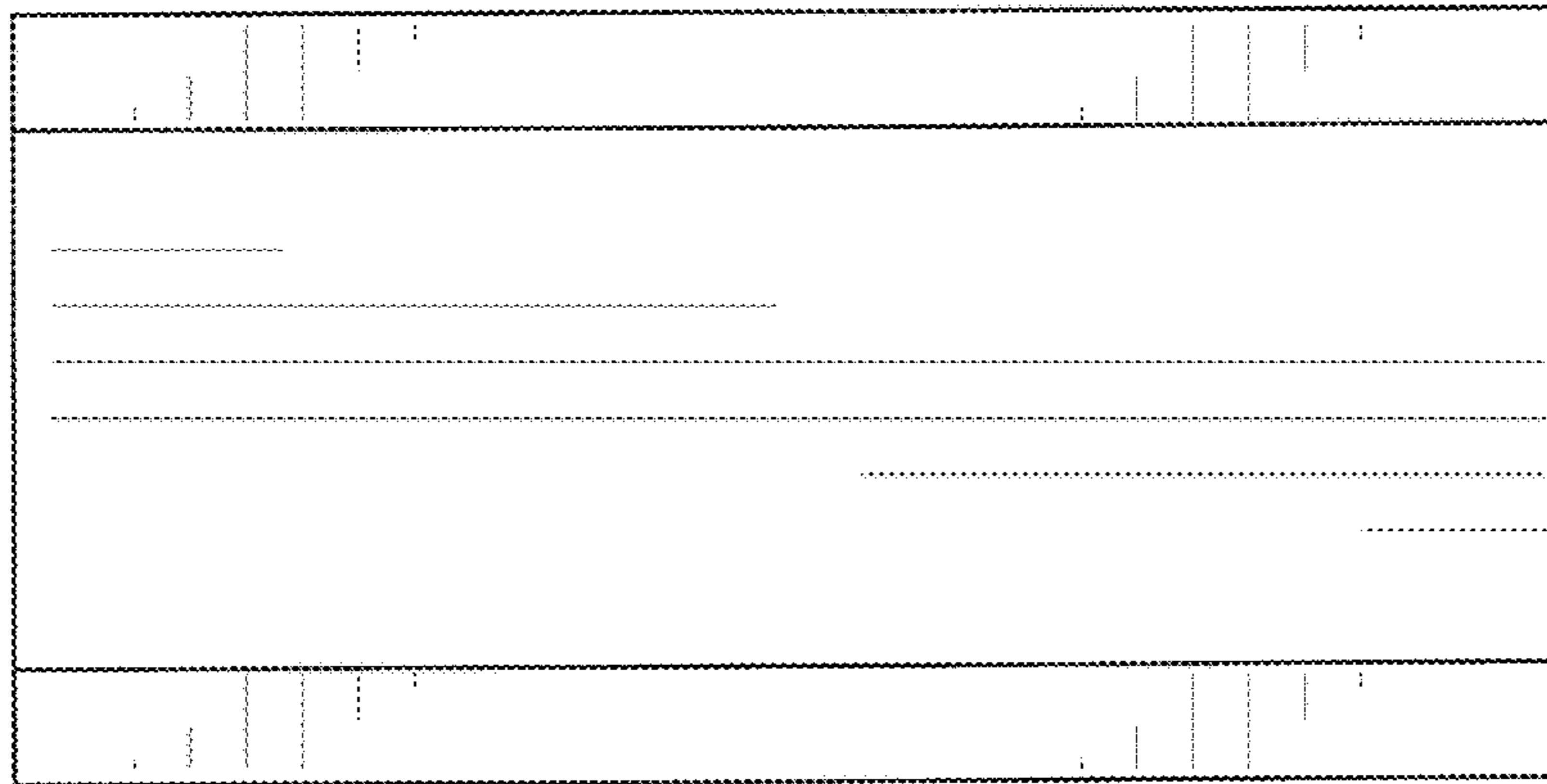


FIG. 11

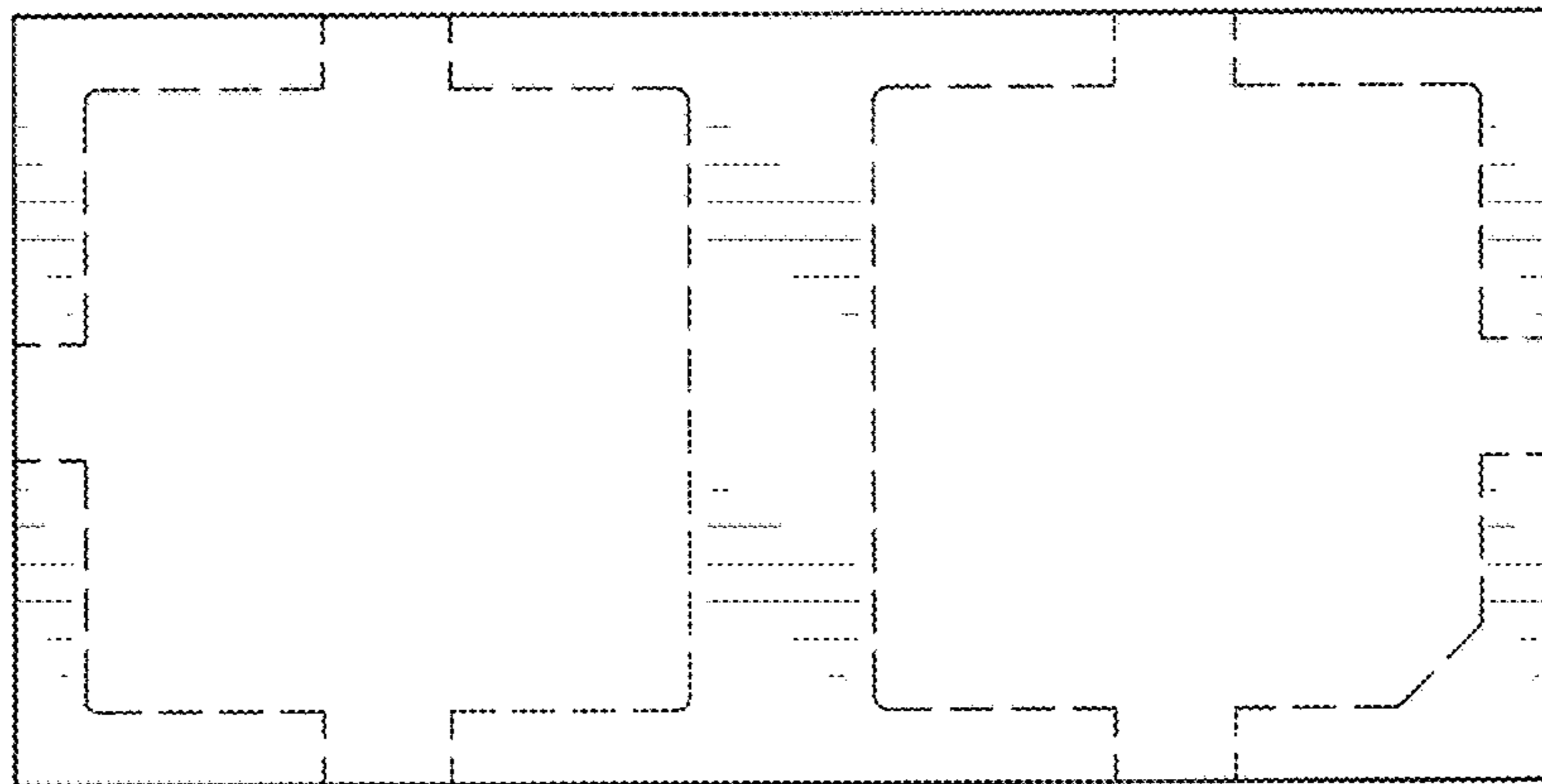


FIG. 12

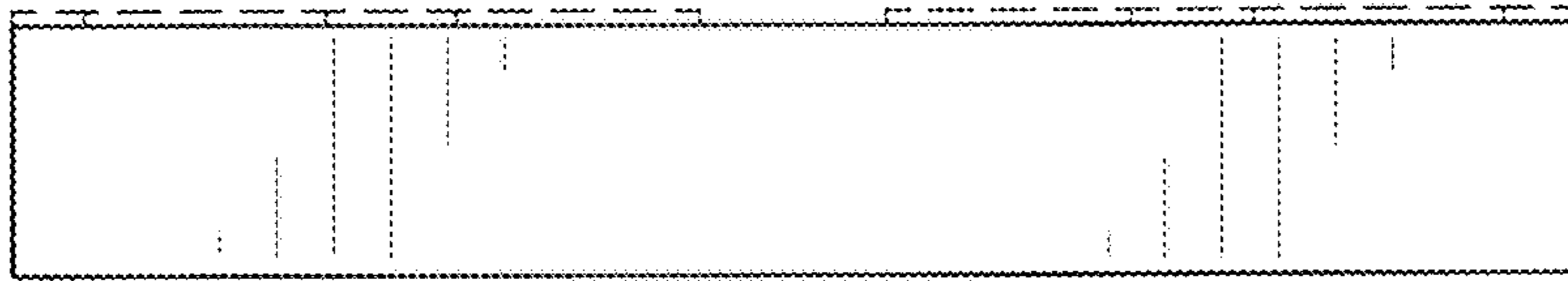


FIG. 15



FIG. 16

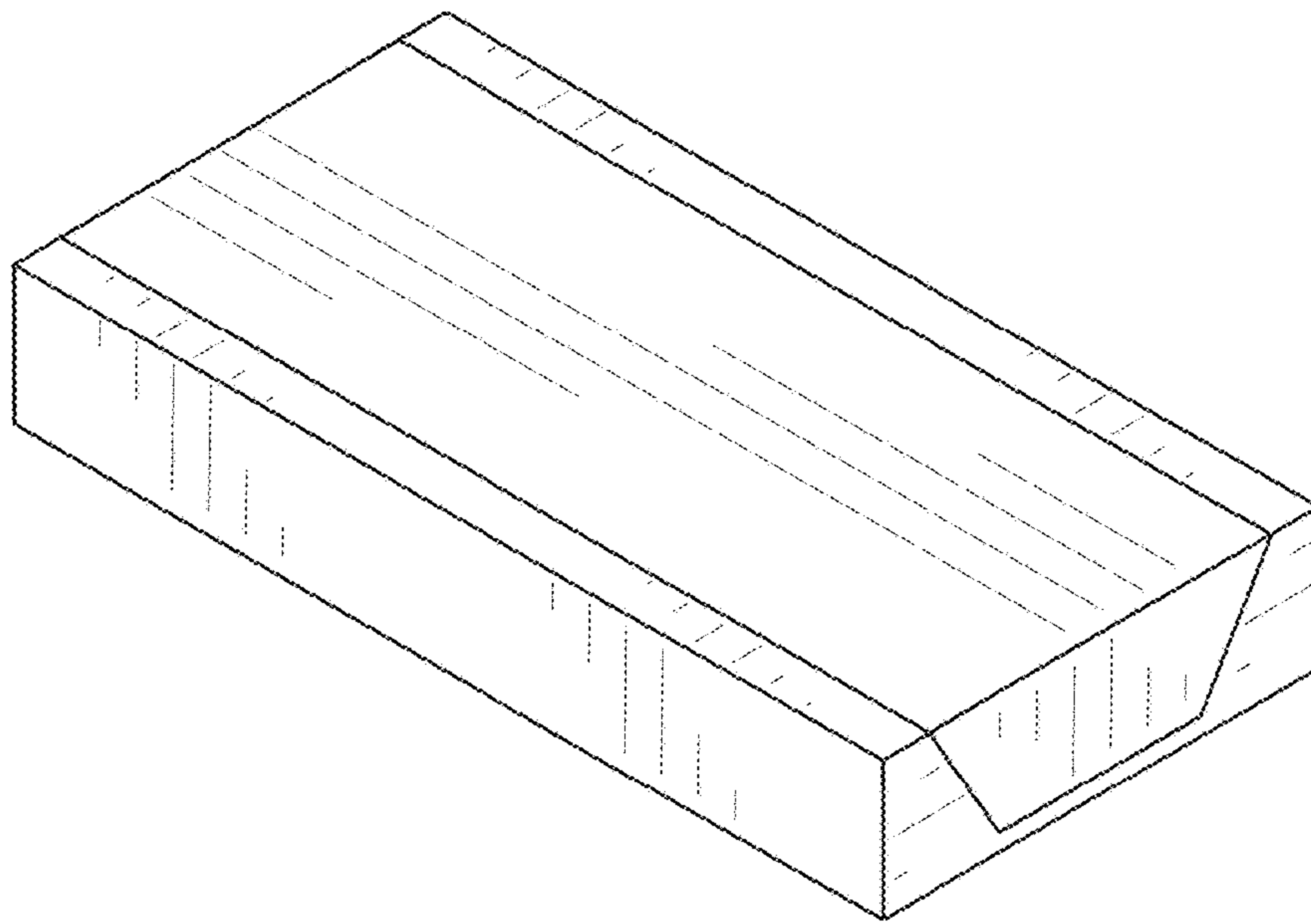


FIG. 17

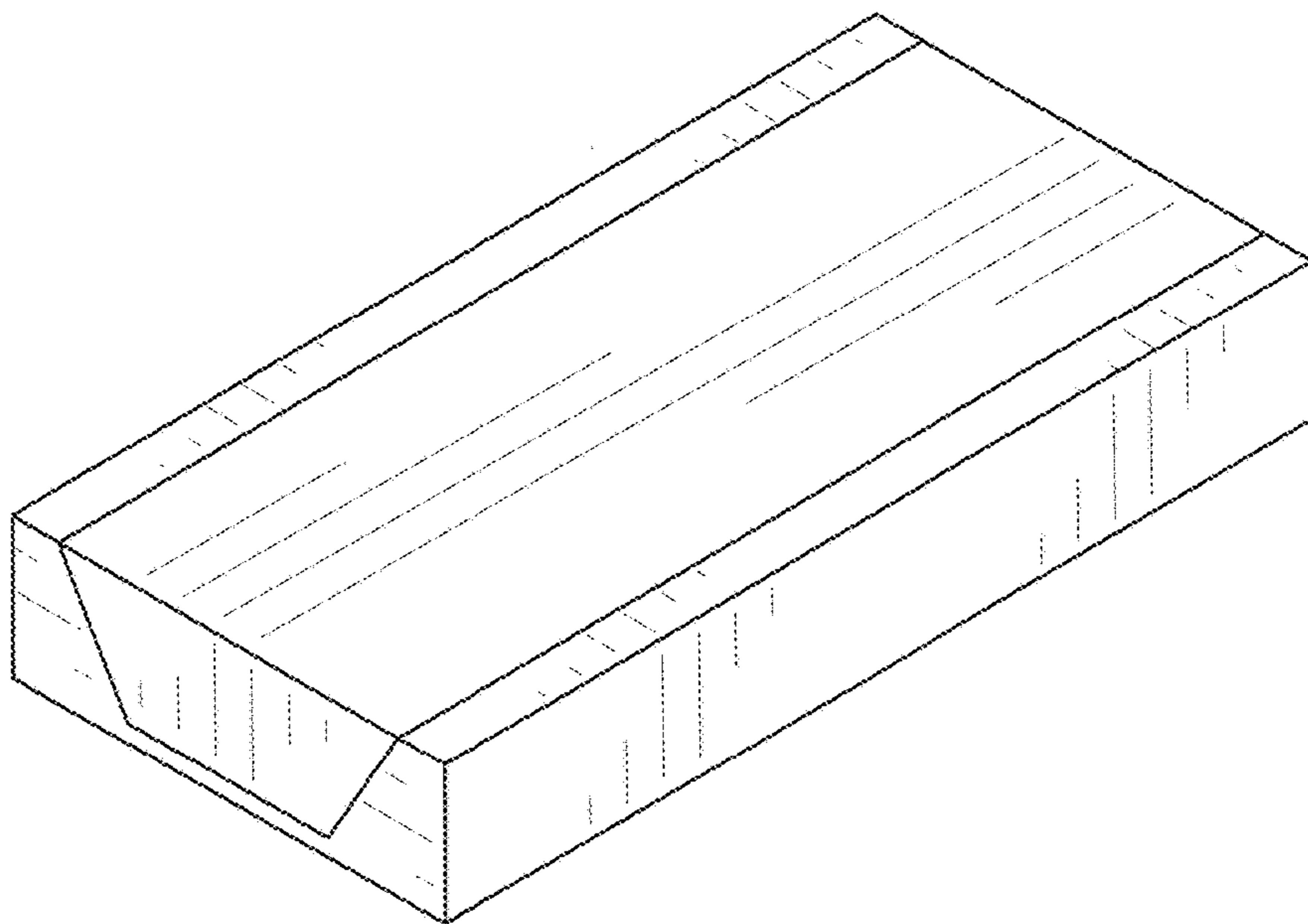


FIG. 18

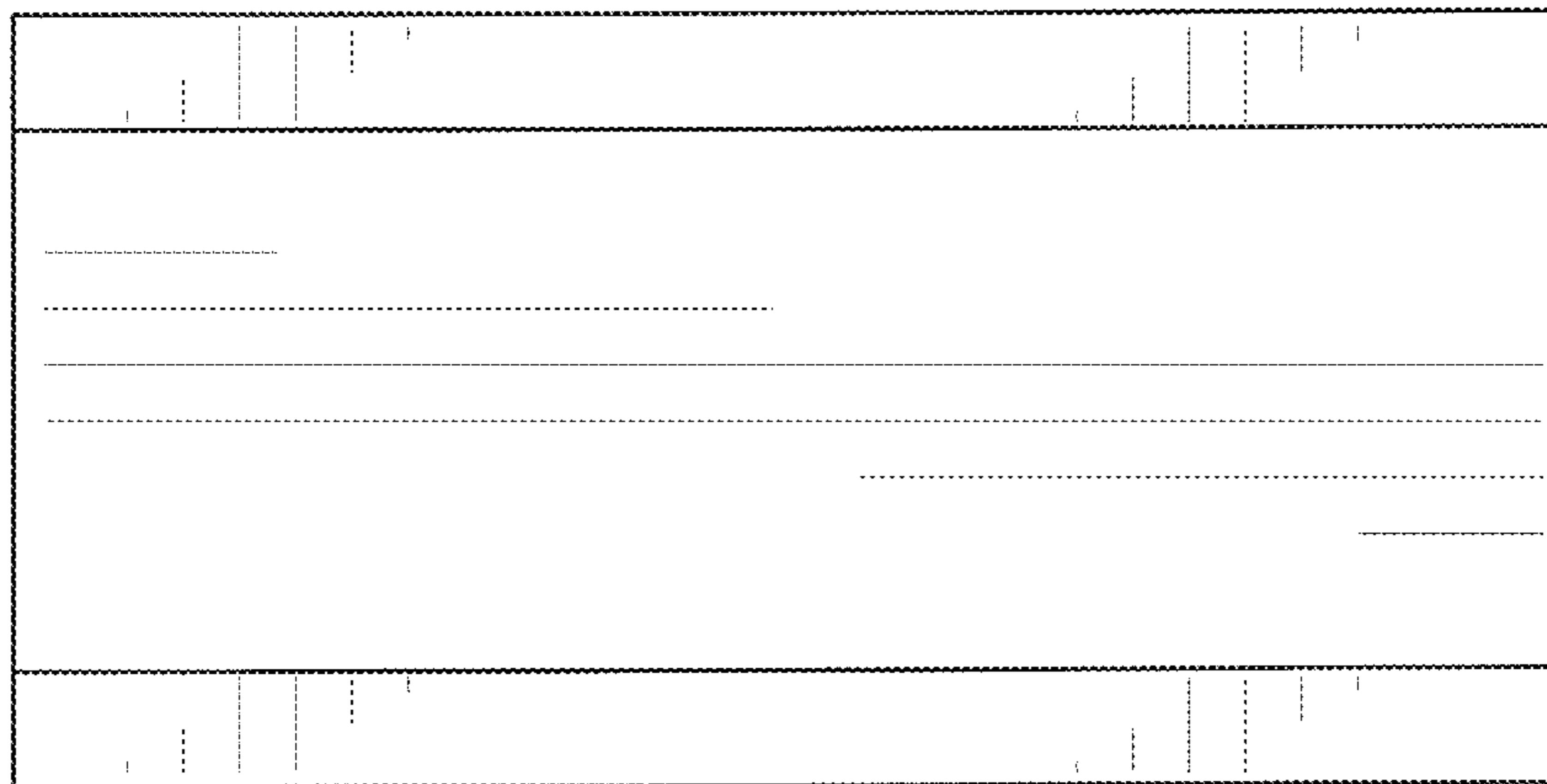


FIG. 19

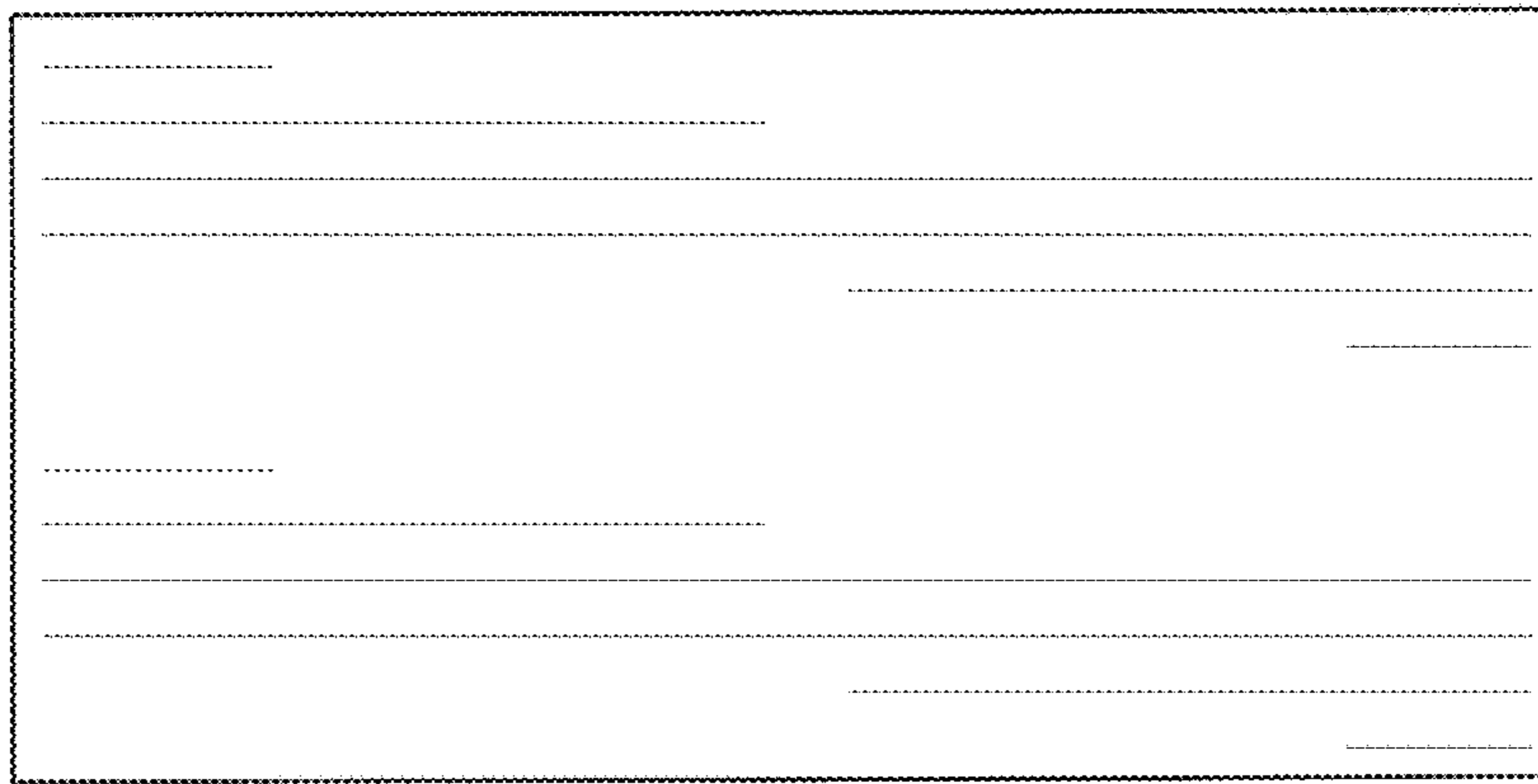


FIG. 20

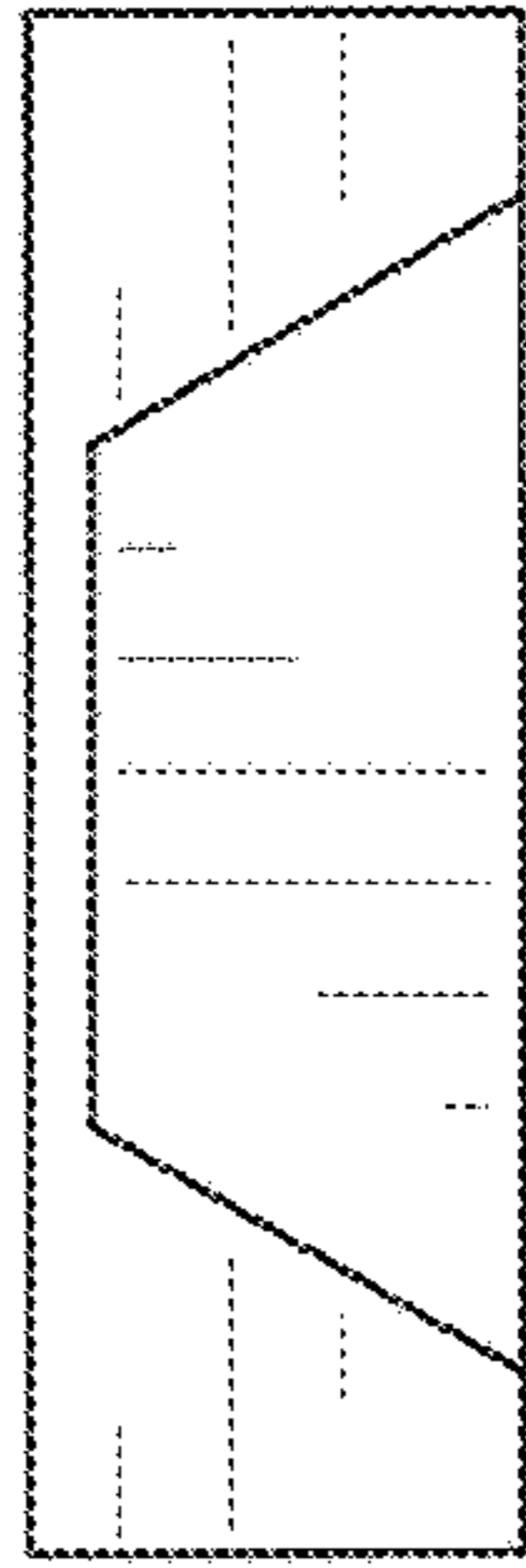


FIG. 21

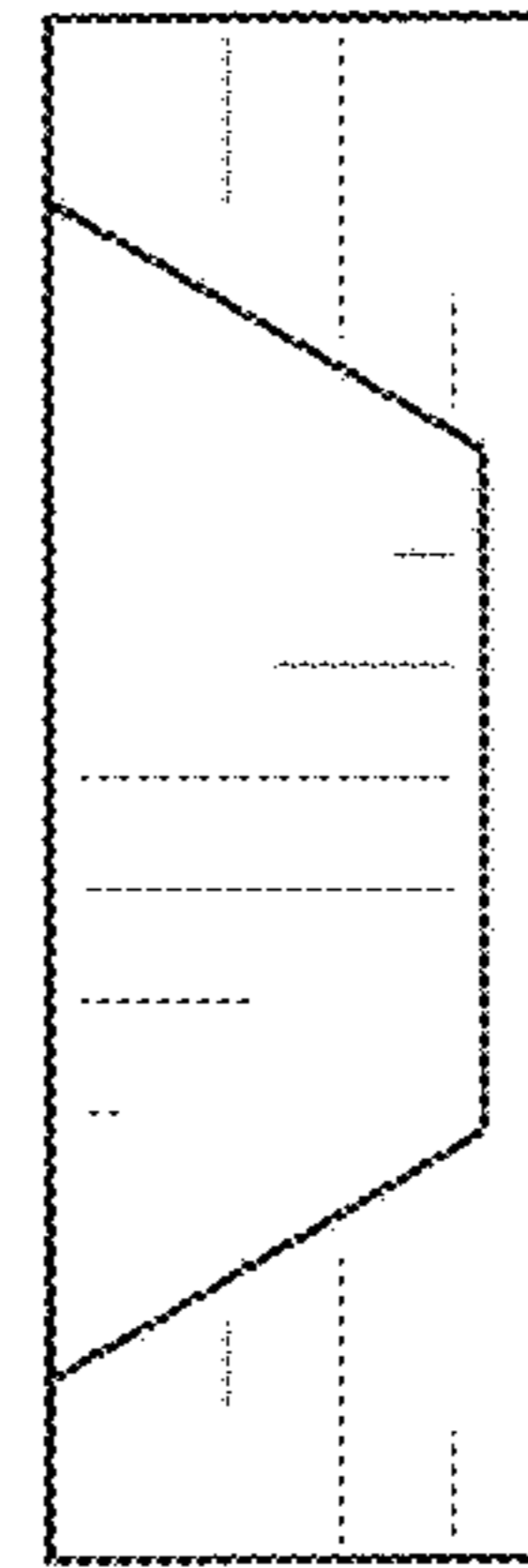


FIG. 22



FIG. 23



FIG. 24

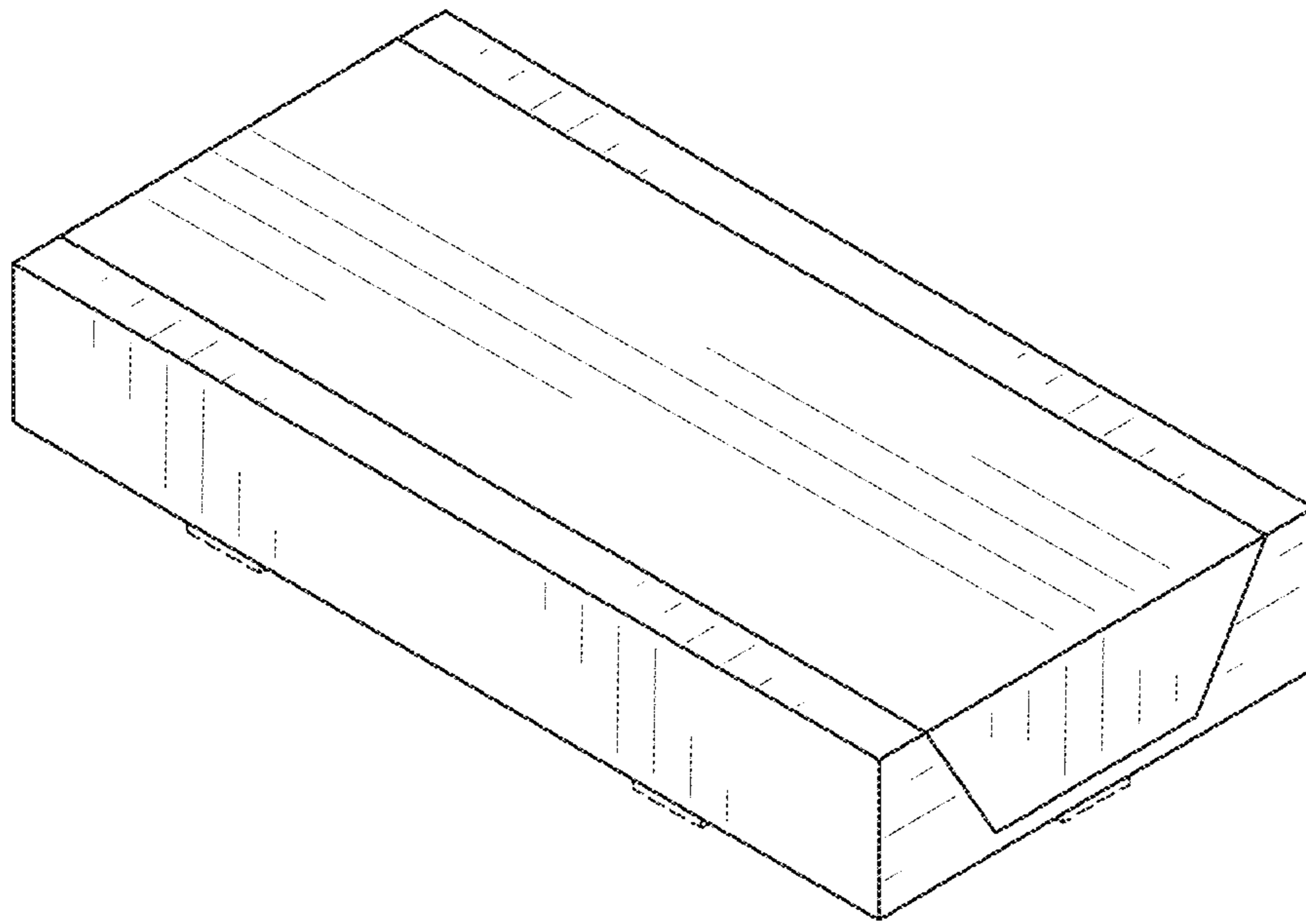


FIG. 25

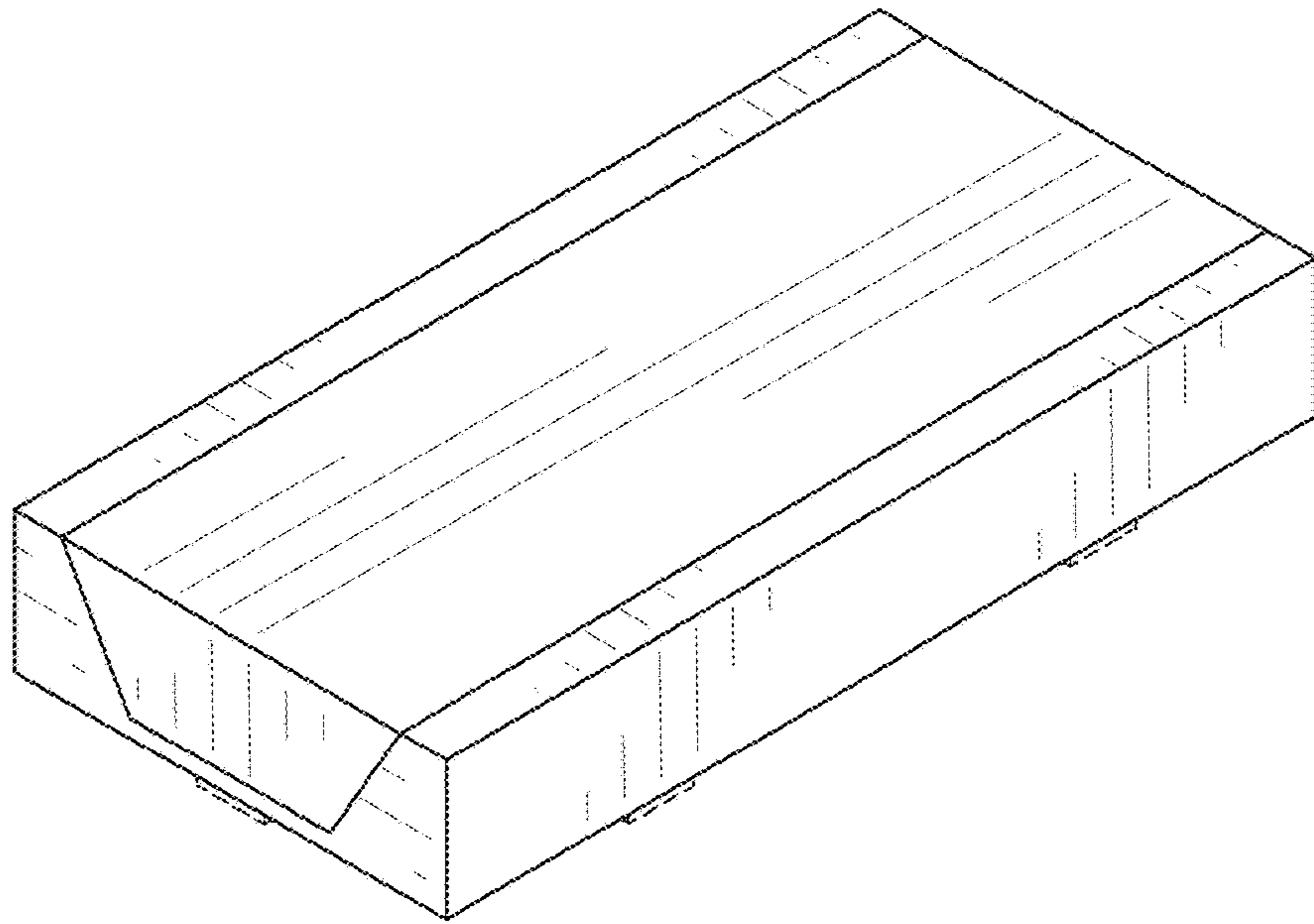


FIG. 26

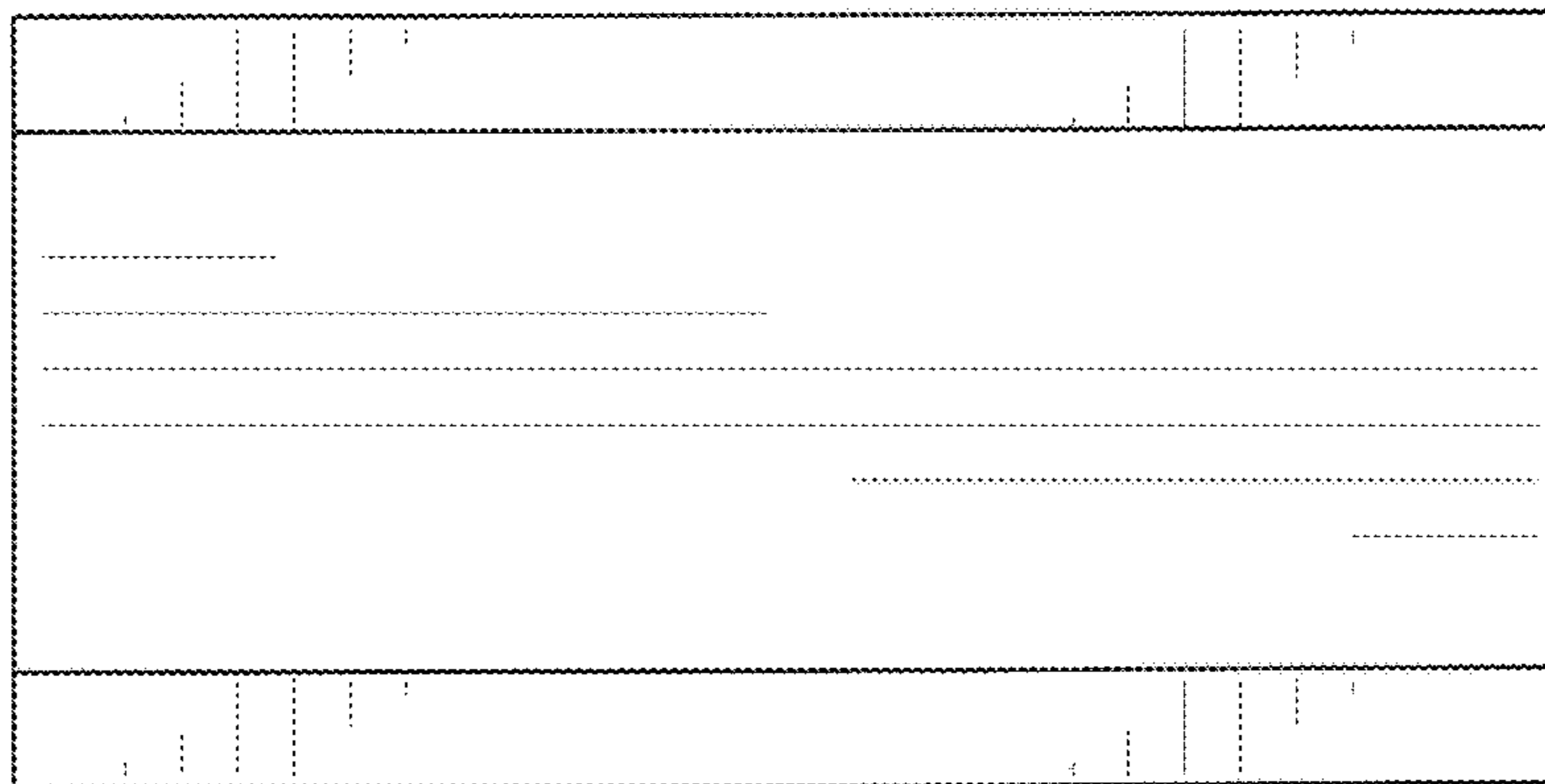


FIG. 27

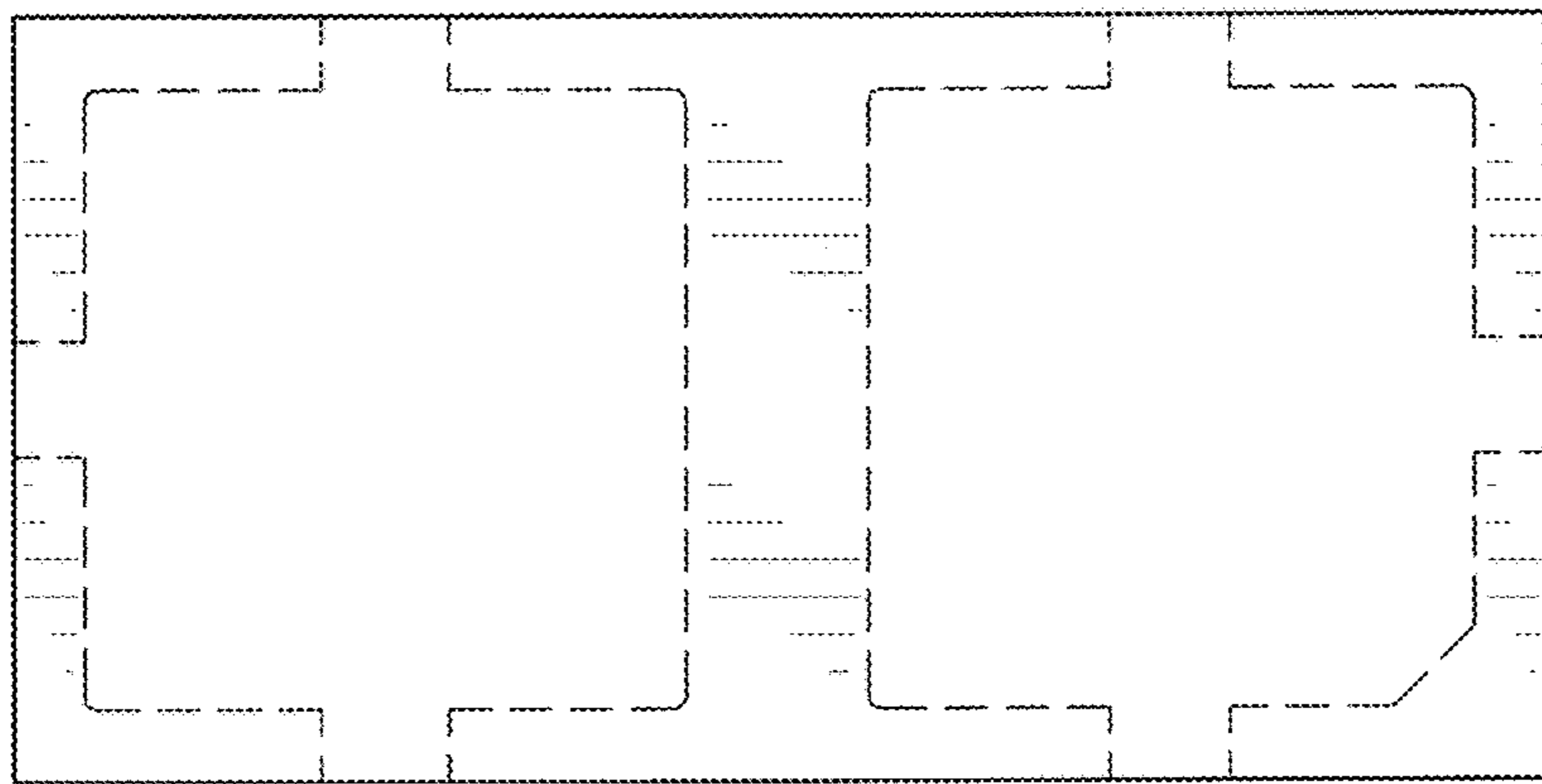


FIG. 28

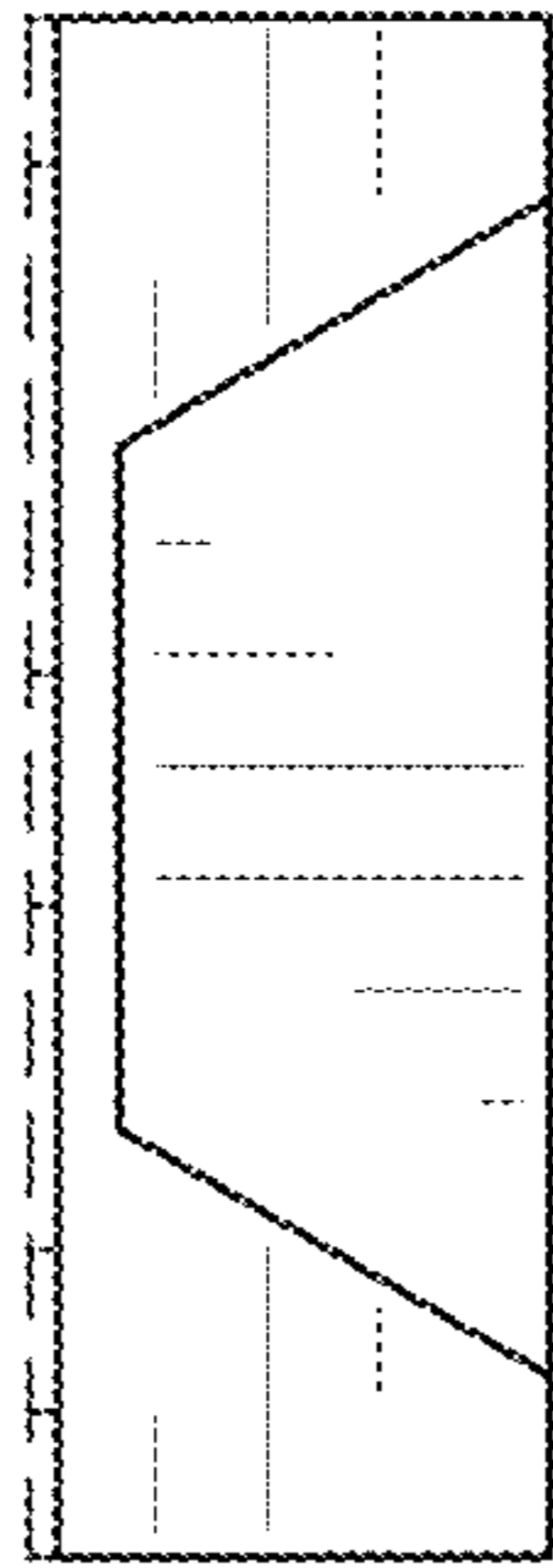


FIG. 29

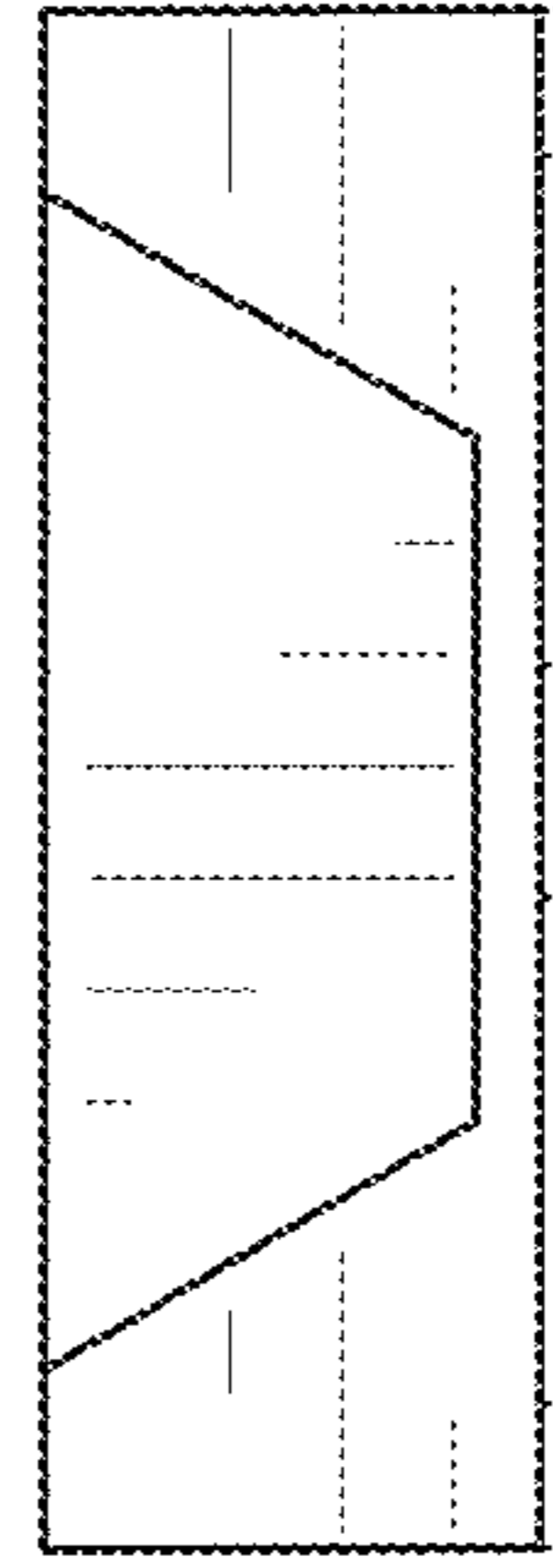


FIG. 30

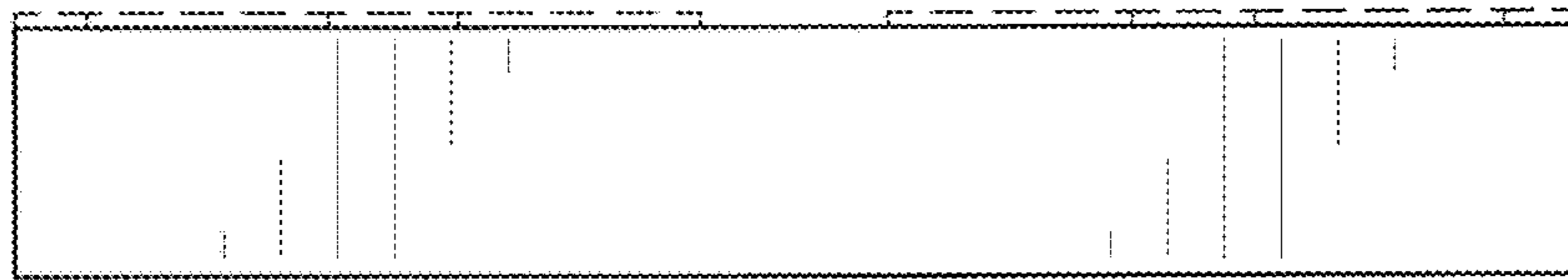


FIG. 31



FIG. 32