

US00D860478S

(12) **United States Design Patent** (10) **Patent No.:** **US D860,478 S**  
**Dominique** (45) **Date of Patent:** **\*\* Sep. 17, 2019**

(54) **CONSTRUCTION BLOCK**

(71) Applicant: **Rossi Dominique**, Nice (FR)

(72) Inventor: **Rossi Dominique**, Nice (FR)

(\*\*) Term: **15 Years**

(21) Appl. No.: **35/505,567**

(22) Filed: **Jul. 24, 2018**

(80) **Hague Agreement Data**

Int. Filing Date: **Jul. 24, 2018**

Int. Reg. No.: **DM/102372**

Int. Reg. Date: **Jul. 24, 2018**

Int. Reg. Pub. Date: **Aug. 31, 2018**

(51) **LOC (12) Cl.** ..... **25-01**

(52) **U.S. Cl.**  
USPC ..... **D25/113**

(58) **Field of Classification Search**  
 USPC ..... D25/113, 114, 115, 116, 117, 118, 119;  
                   D21/333, 373, 386, 389, 404, 468, 470,  
                   D21/471, 475, 484-505  
 CPC ..... E04B 2/18; E04B 2/22; E04B 2/24; E04B  
                   2/42; B28B 7/0079; E04C 1/39; E04C  
                   1/395; E04C 1/397; E04C 3/00; E04C  
                   3/04; E04C 3/12; E04C 3/28; E04C 3/30;  
                   E04C 1/00; E02D 29/02; E02D 29/0241;  
                   E02D 29/025

See application file for complete search history.

(56) **References Cited**

U.S. PATENT DOCUMENTS

D249,232	S	*	9/1978	Van der Veken	.....	D21/500
D251,306	S	*	3/1979	Ceglia	.....	D25/114
D251,307	S	*	3/1979	Ceglia	.....	D25/114
D387,879	S	*	12/1997	Henry	.....	D25/118
5,741,339	A	*	4/1998	DuMars	.....	E02D 29/0266 47/83
D484,616	S	*	12/2003	Stenekes	.....	D25/118
D512,108	S	*	11/2005	Lin	.....	D21/499
D629,919	S	*	12/2010	Meyer	.....	D25/113
D701,920	S	*	4/2014	Andersen	.....	D21/492
D701,921	S	*	4/2014	Andersen	.....	D21/497
D827,156	S	*	8/2018	Rossi	.....	D25/113
2016/0160468	A1	*	6/2016	Rossi	.....	E02D 29/0241 405/284

\* cited by examiner

*Primary Examiner* — George D. Kirschbaum

*Assistant Examiner* — Samantha Q Lawrence

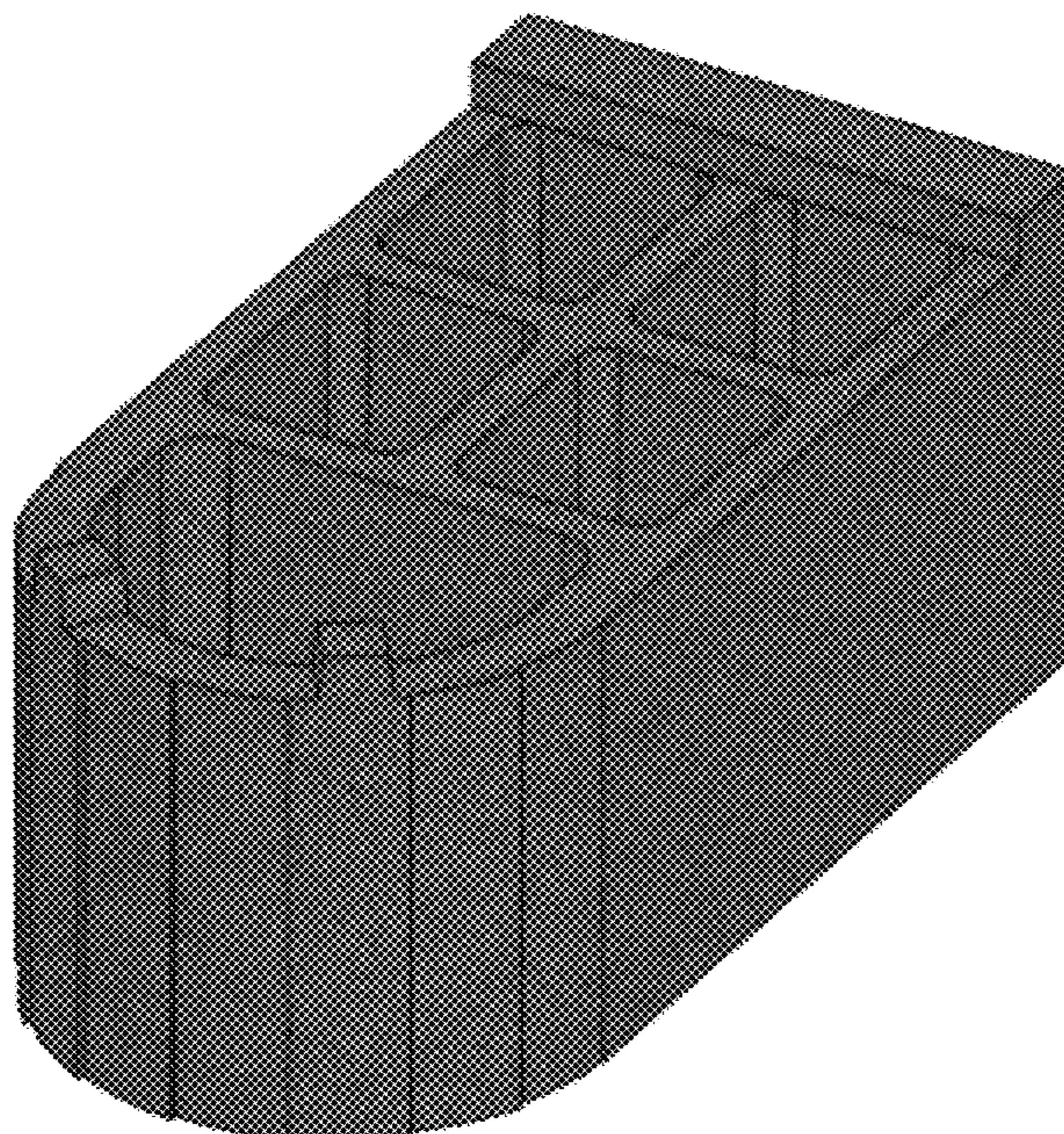
(57) **CLAIM**

The ornamental design for a construction block, as shown and described.

**DESCRIPTION**

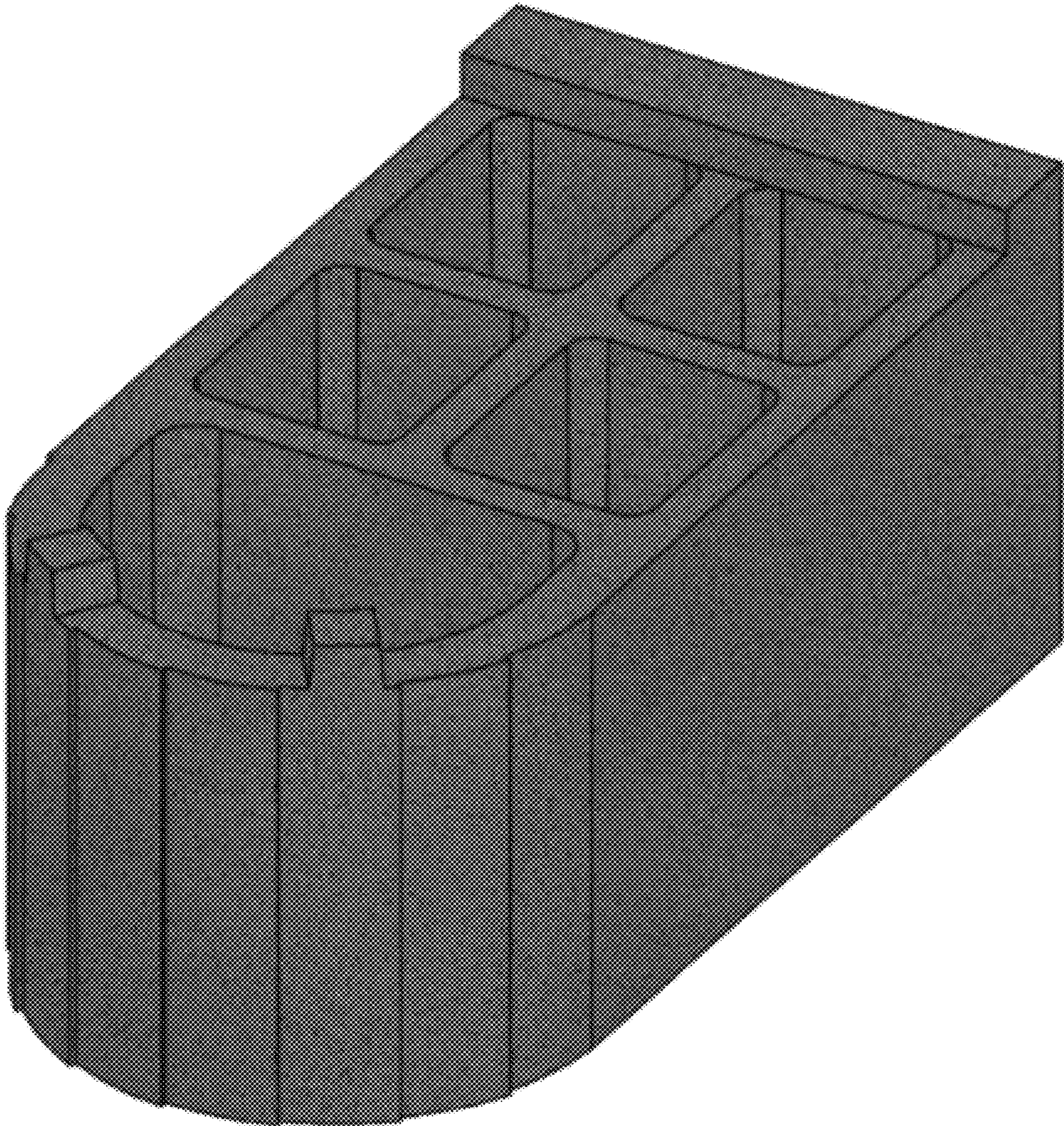
1. Construction block  
 Figure 1.1 is a perspective view of a construction block;  
 Figure 1.2 is a top view thereof;  
 Figure 1.3 is a side view thereof; and  
 Figure 1.4 is a front view thereof.

**1 Claim, 4 Drawing Sheets**



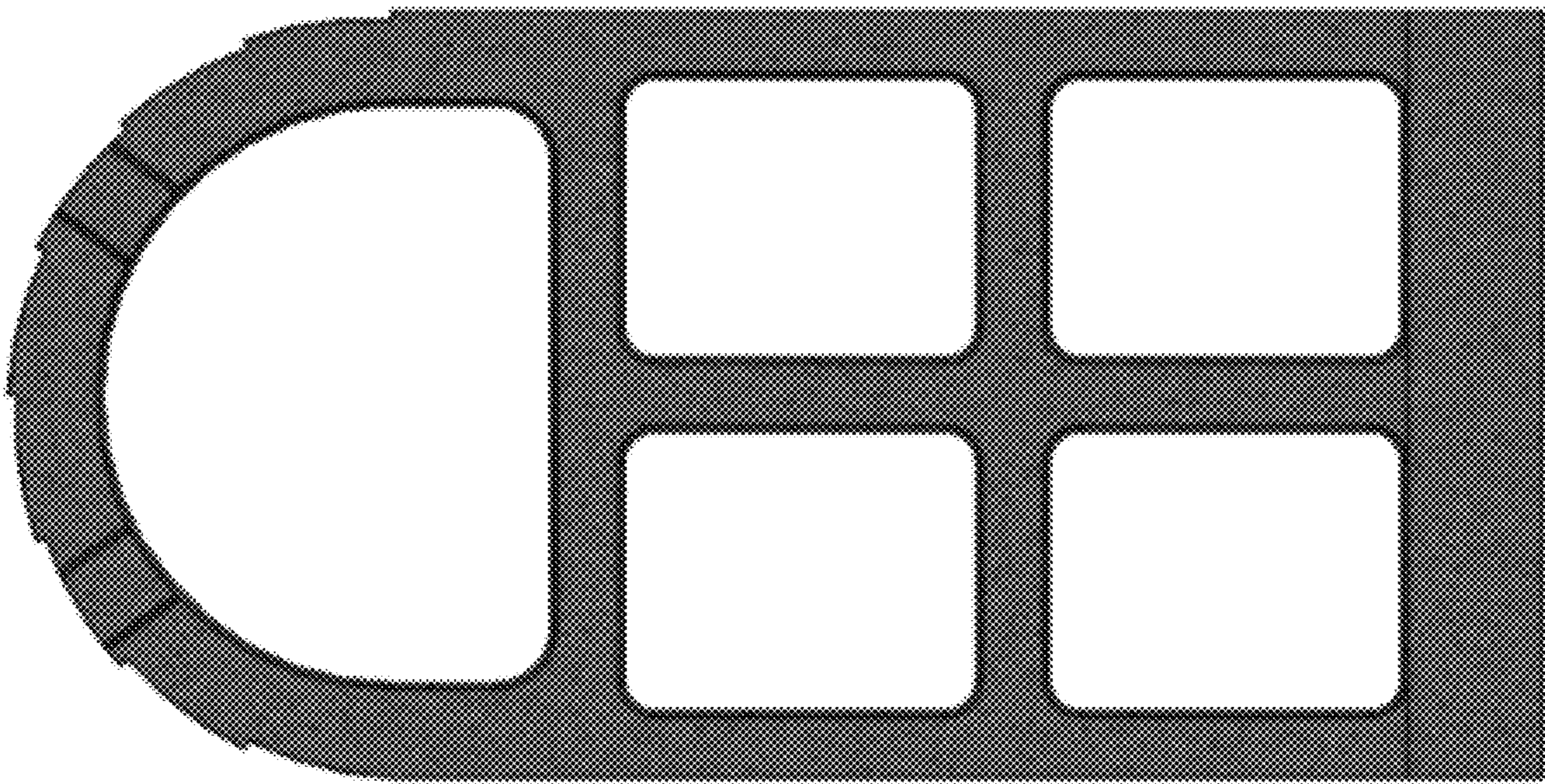


**1.1**



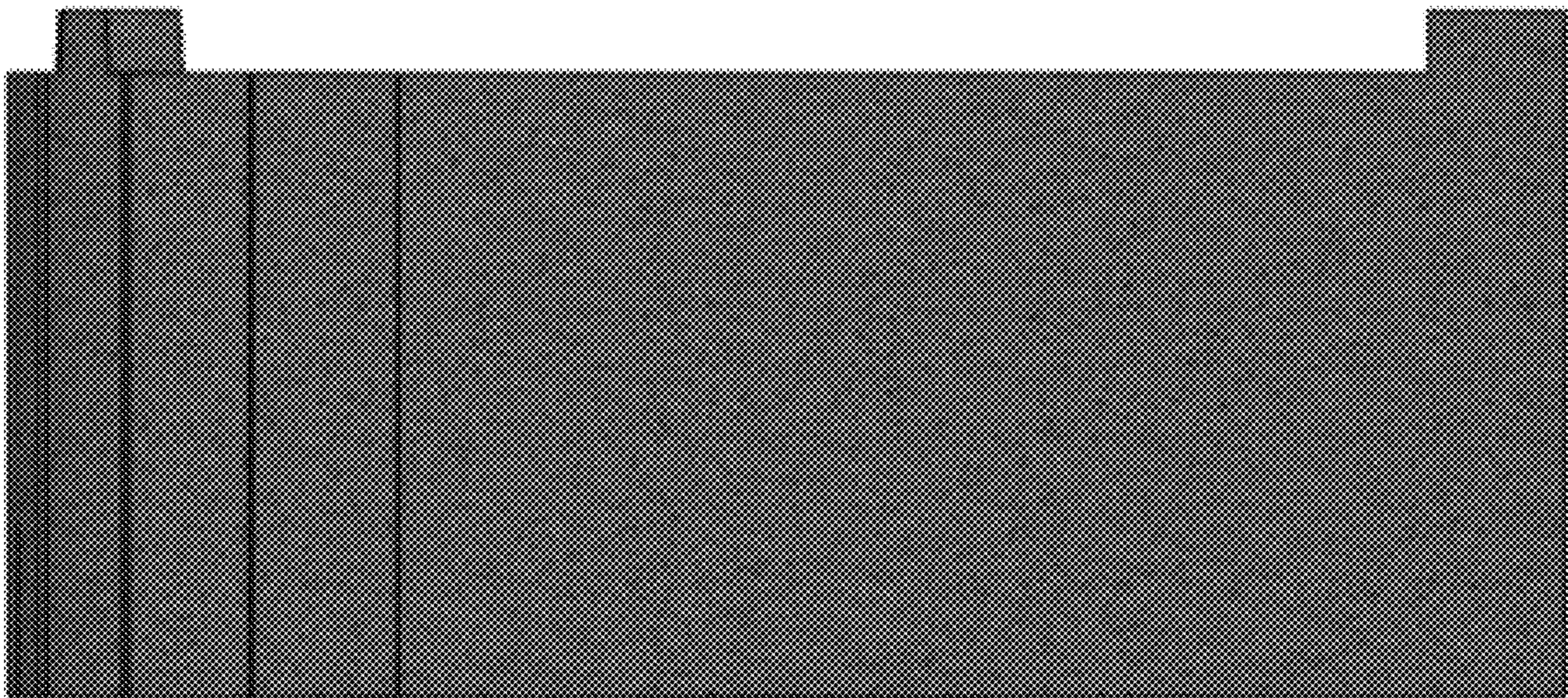


1.2





1.3





1.4

