



US00D860473S

(12) **United States Design Patent** (10) **Patent No.:** **US D860,473 S**
Kawabe et al. (45) **Date of Patent:** **** Sep. 17, 2019**

(54) **ADAPTER FOR REAGENT CONTAINER**

(71) Applicant: **SEKISUI MEDICAL CO., LTD.**,
Tokyo (JP)

(72) Inventors: **Toshiki Kawabe**, Tokyo (JP); **Akiko Matsumoto**, Tokyo (JP); **Hiroshi Takahashi**, Tokyo (JP)

(73) Assignee: **SEKISUI MEDICAL CO., LTD.**,
Tokyo (JP)

(**) Term: **15 Years**

(21) Appl. No.: **29/618,496**

(22) Filed: **Sep. 21, 2017**

(30) **Foreign Application Priority Data**

Mar. 31, 2017 (JP) 2017-006875

(51) **LOC (12) Cl.** **24-02**

(52) **U.S. Cl.**
USPC **D24/224**

(58) **Field of Classification Search**
USPC D24/216, 222-226, 231, 232; D9/503,
D9/504, 505, 520, 529, 549; D10/81;
D3/203.1-203.8; D7/509
CPC B01L 3/565; B01L 3/00
See application file for complete search history.

(56) **References Cited**

U.S. PATENT DOCUMENTS

D110,624 S *	7/1938	Mekeel	D18/43
D193,280 S *	7/1962	Eicholtz	D9/529
D203,007 S *	11/1965	Adell	D9/520
D258,202 S *	2/1981	Astor	D9/503
D278,520 S *	4/1985	Hamtak	D11/2
D373,729 S *	9/1996	Protheroe	D9/500
5,653,943 A *	8/1997	Arnold	B65D 51/1616 215/307

D435,646 S *	12/2000	Shah	D24/108
D457,439 S *	5/2002	Meeker	D9/520
D458,143 S *	6/2002	Ackerman	D9/517
D485,183 S *	1/2004	Lerolle	D9/503
D509,433 S *	9/2005	Trayser	D9/501
D527,643 S *	9/2006	Gottlieb	D9/520
D530,207 S *	10/2006	Brandt	D9/500
D634,441 S *	3/2011	Sattler	D24/224
D644,741 S *	9/2011	Sattler	D24/224

(Continued)

Primary Examiner — Susan Bennett Hattan

Assistant Examiner — Omeed Agilee

(74) *Attorney, Agent, or Firm* — Bacon & Thomas, PLLC

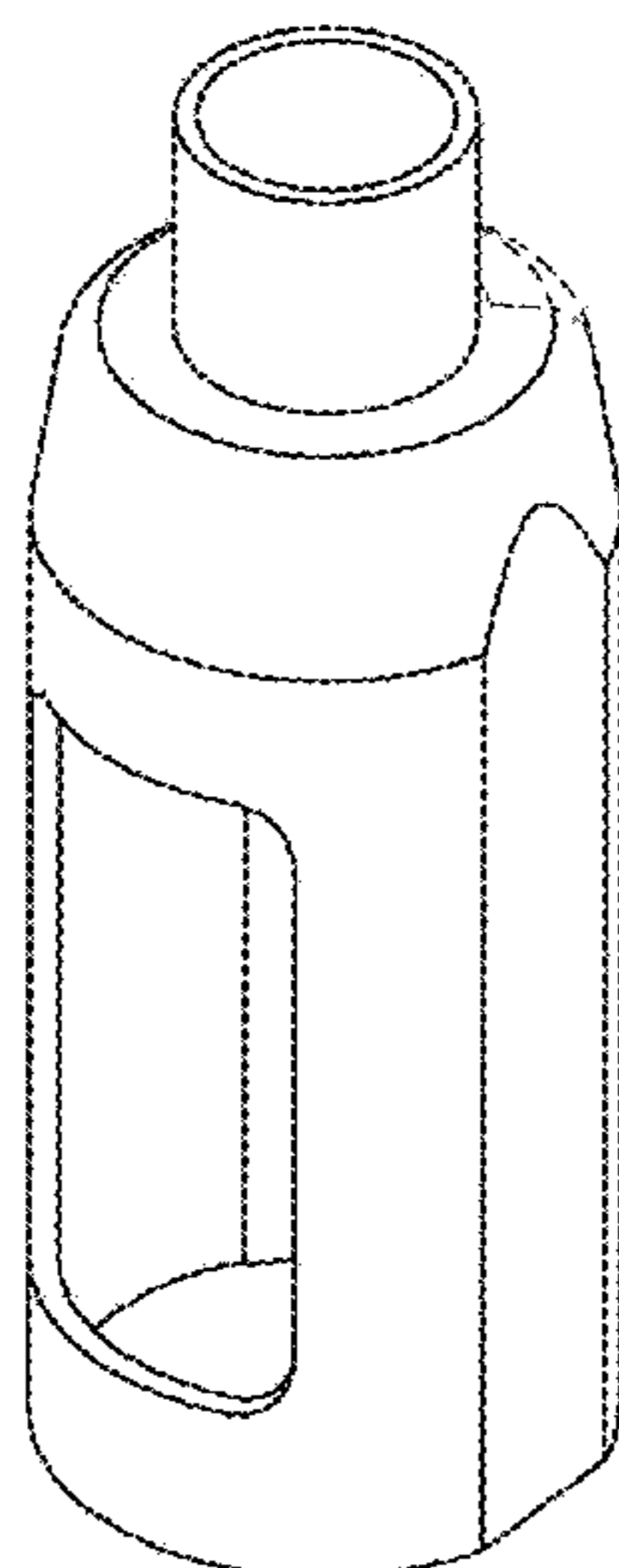
(57) **CLAIM**

The ornamental design for an adapter for reagent container, as shown and described.

DESCRIPTION

FIG. 1 is a perspective view of the Invention.
 FIG. 2 is a front view of the Invention.
 FIG. 3 is a rear view of the Invention.
 FIG. 4 is a top plan view of the Invention.
 FIG. 5 is a bottom plan view of the Invention.
 FIG. 6 is a right side view of the Invention.
 FIG. 7 is a left side view of the Invention.
 FIG. 8 is an enlarged sectional view taken along line 8-8 of FIG. 2.
 FIG. 9 is a sectional view taken along line 9-9 of FIG. 4.
 FIG. 10 is a sectional view taken along line 10-10 of FIG. 4; and,
 FIG. 11 is a reference perspective view showing usage state. The evenly spaced broken lines in FIGS. 1 and 3-10 depict portions of the adapter for reagent container that form no part of the claimed design. The evenly spaced broken lines in FIG. 11 in form of a reagent container depict environmental subject matter that forms no part of the claimed design. The dot dash dot broken lines depict the boundaries of the claim and form no part thereof.

1 Claim, 11 Drawing Sheets



(56)

References Cited

U.S. PATENT DOCUMENTS

D698,244 S * 1/2014 Lin D9/500
D799,060 S * 10/2017 Ammar D24/231
D818,839 S * 5/2018 Kim D9/691

* cited by examiner

FIG. 1

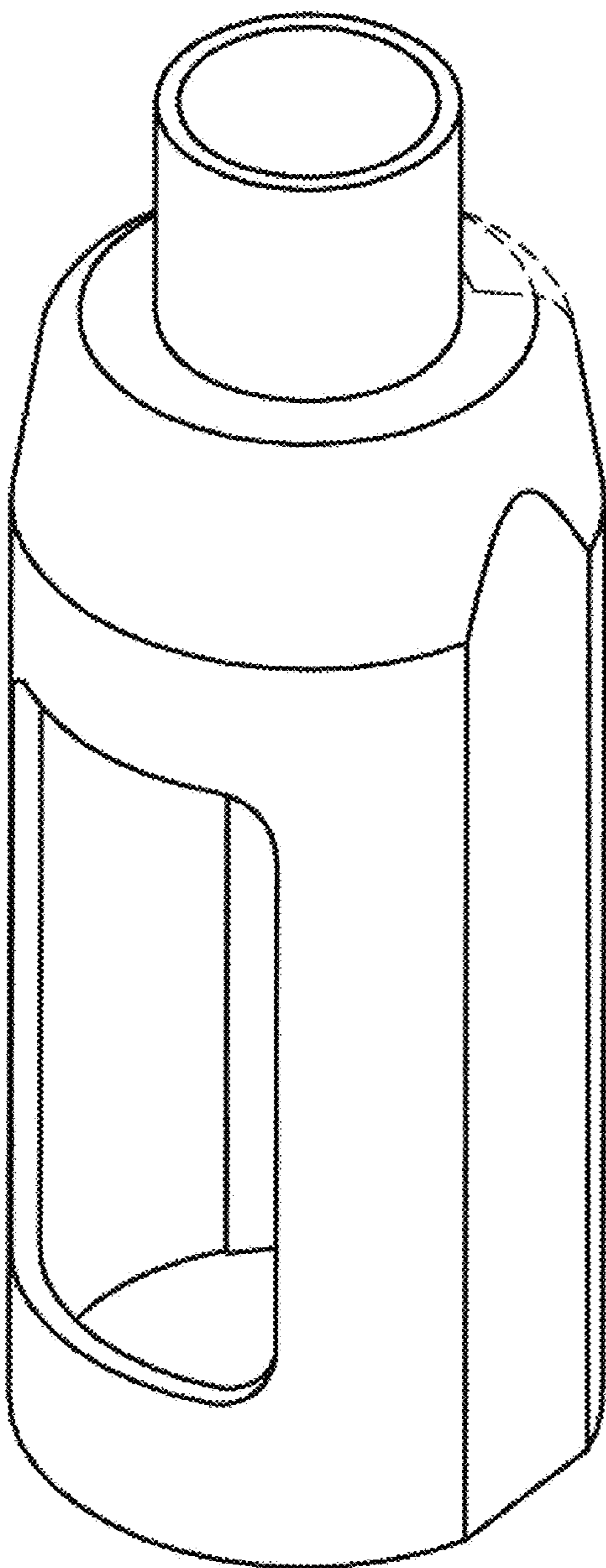


FIG. 2

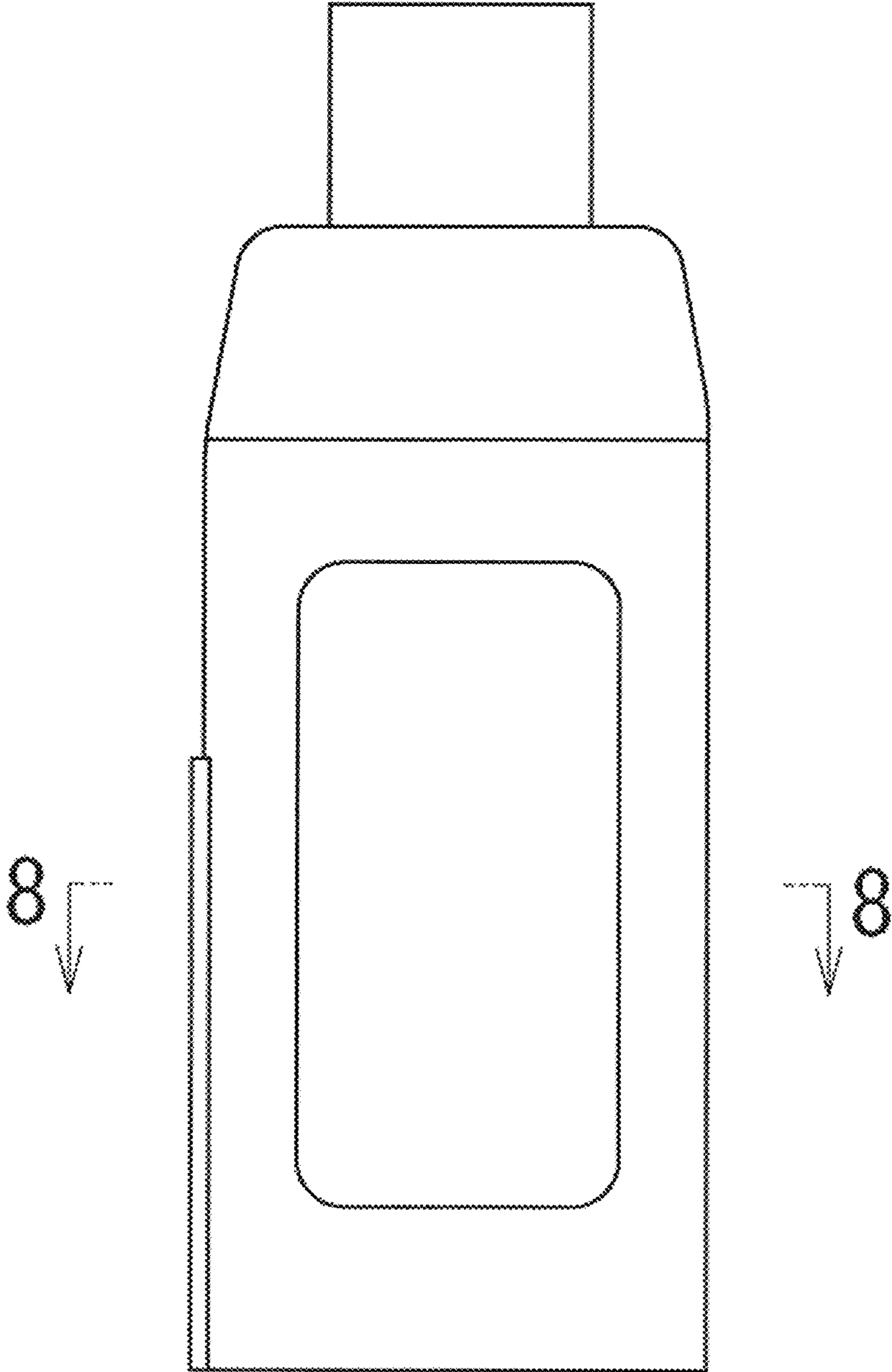


FIG. 3

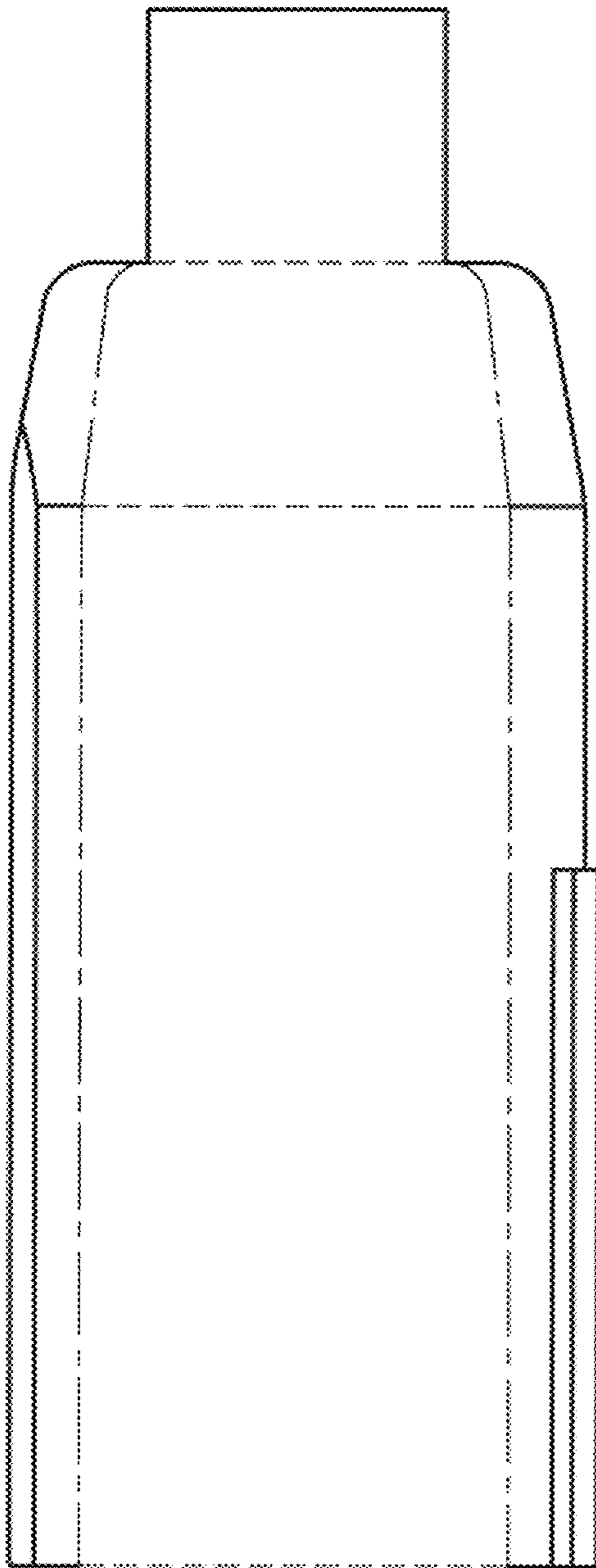


FIG. 4

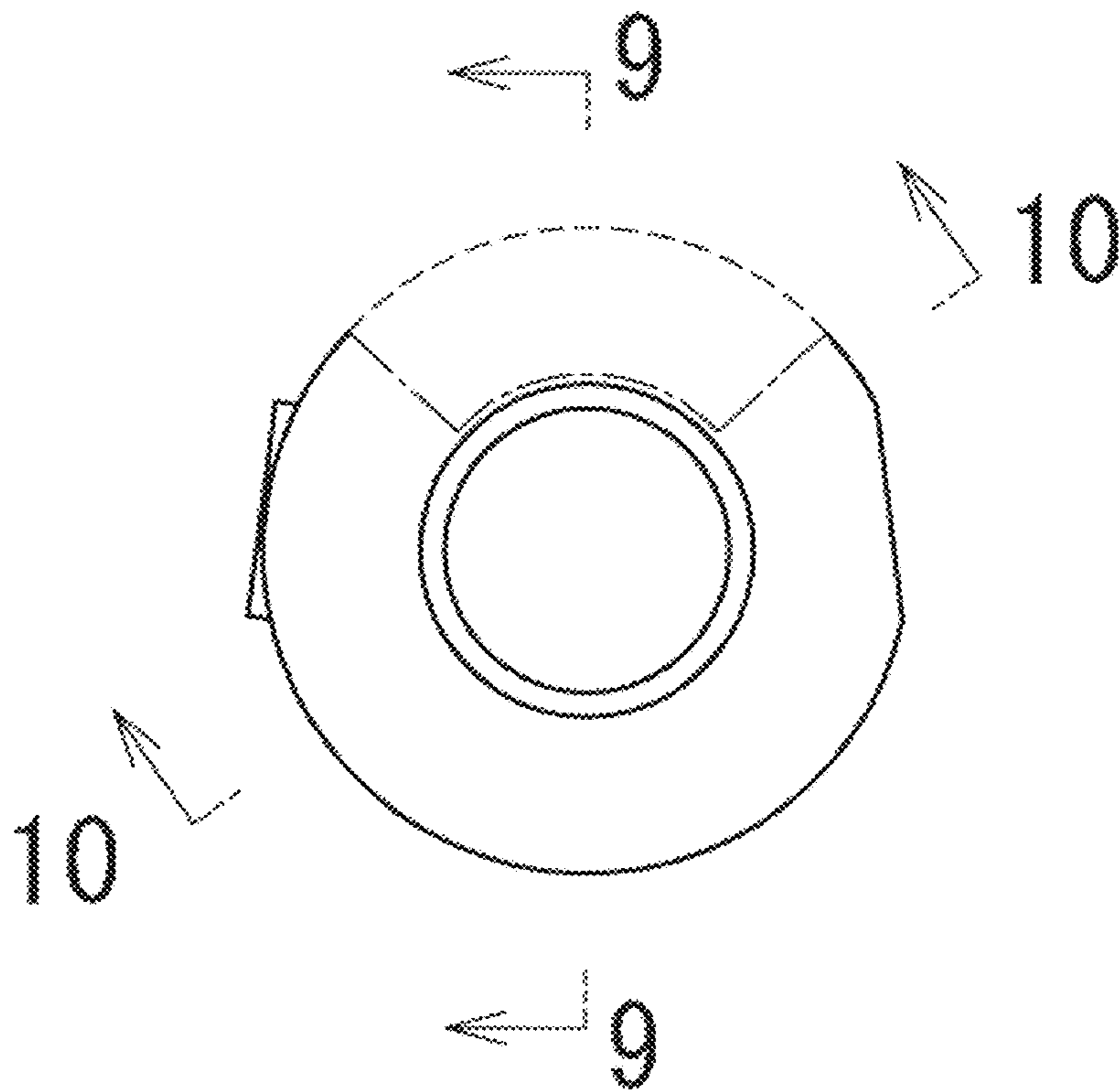


FIG. 5

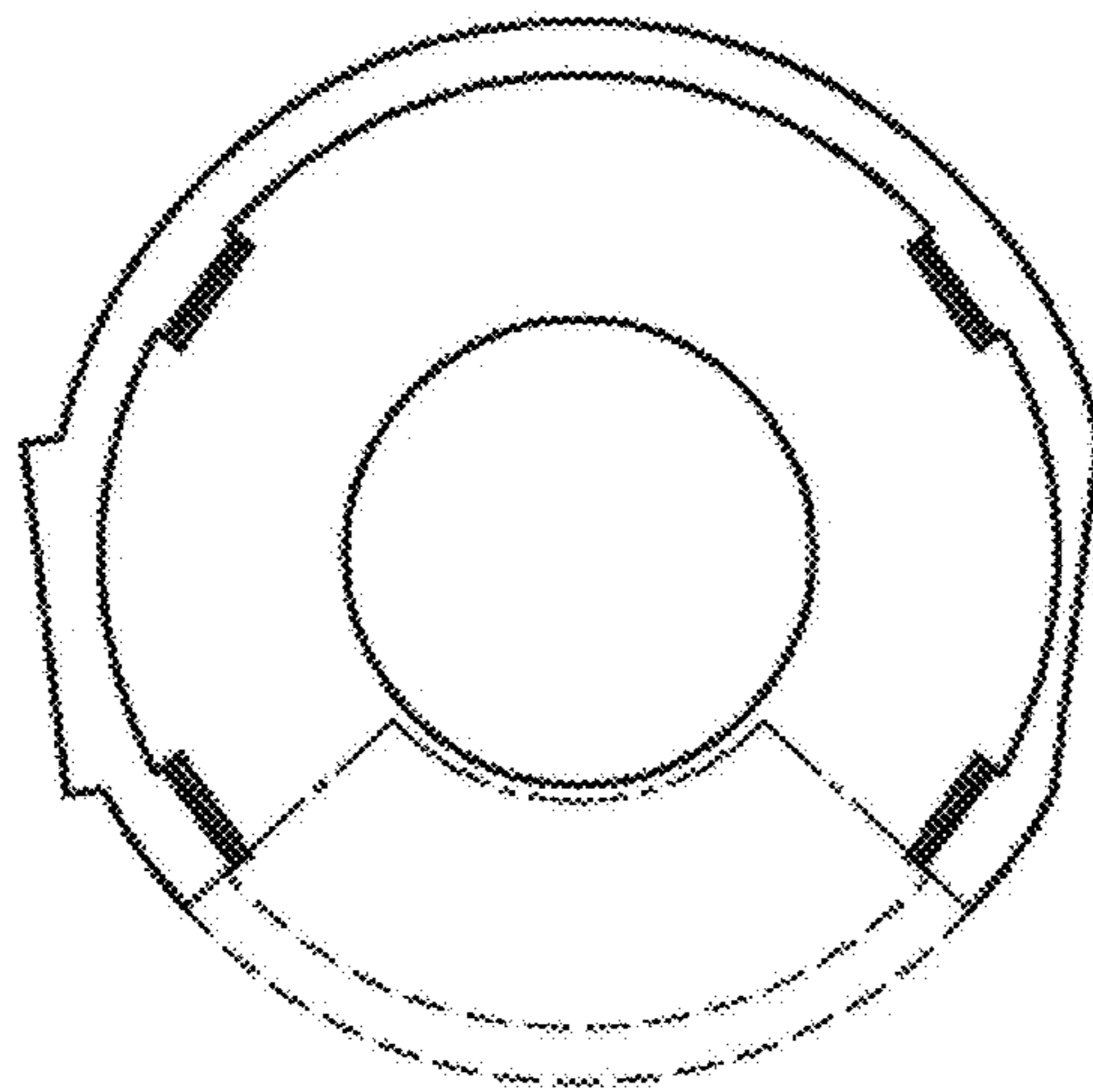


FIG. 6

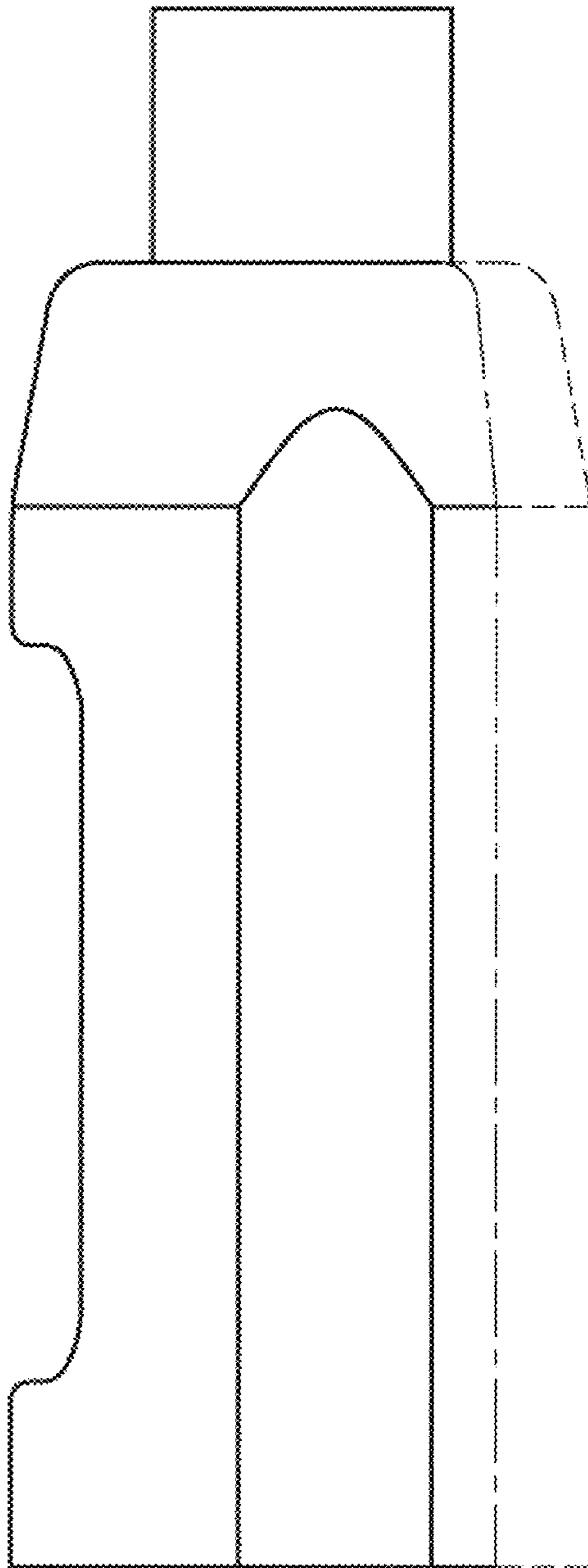


FIG. 7

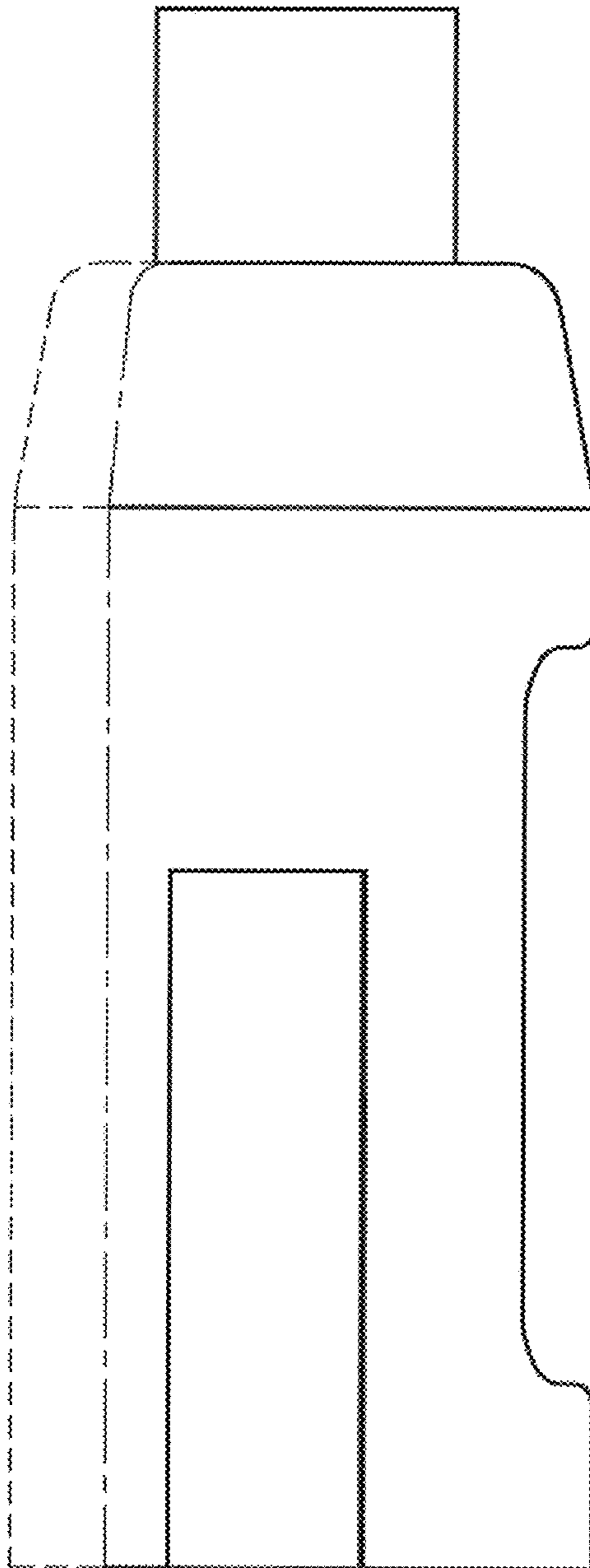


FIG. 8

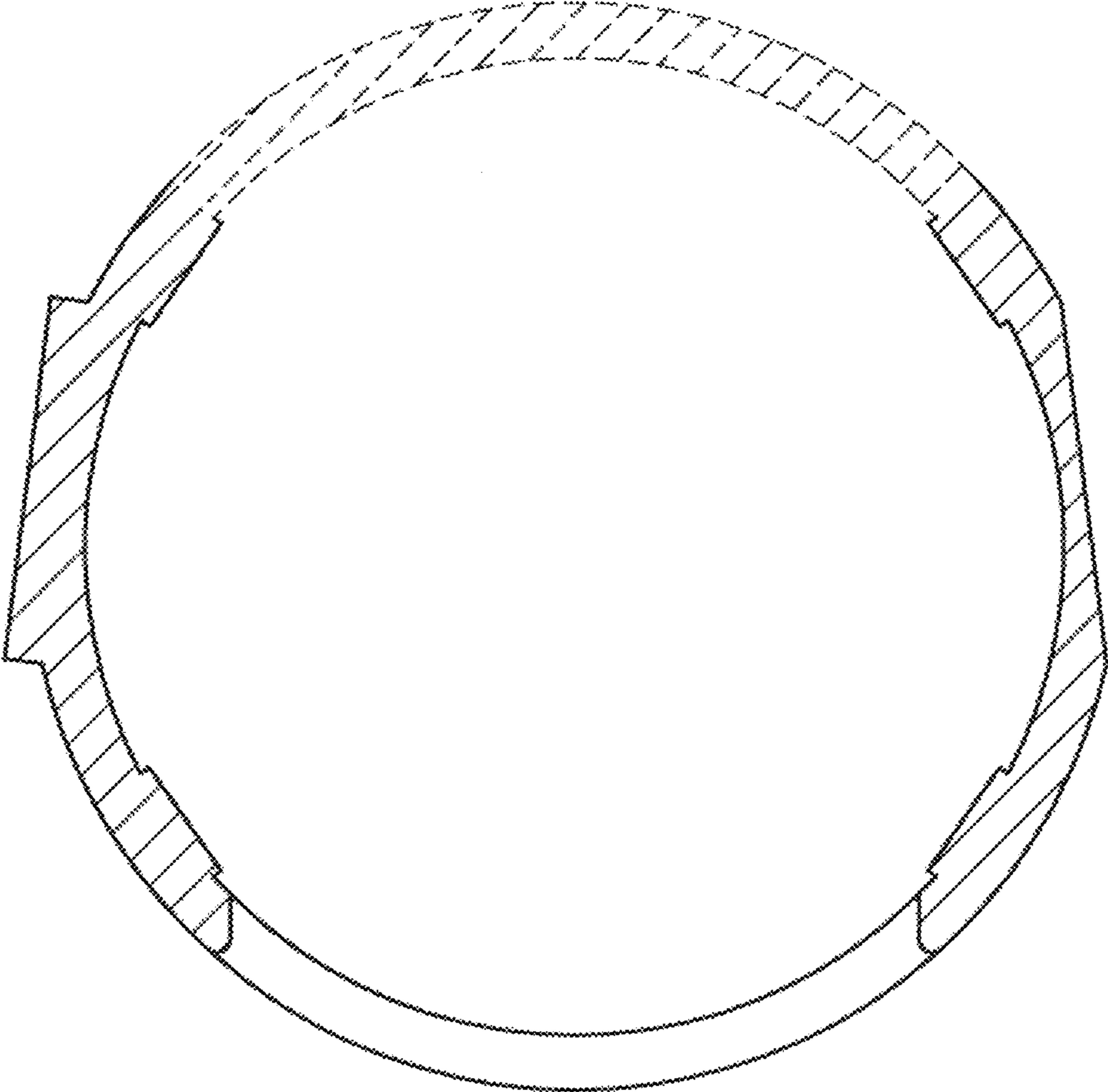


FIG. 9

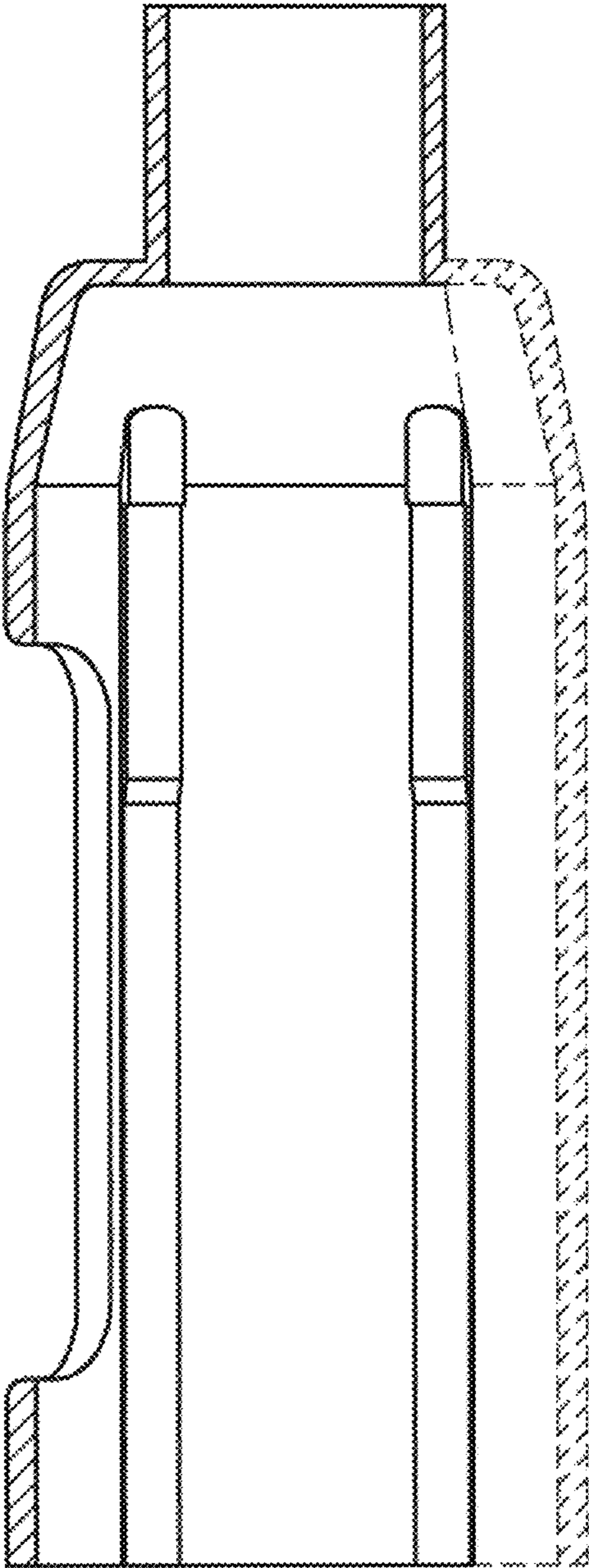


FIG. 10

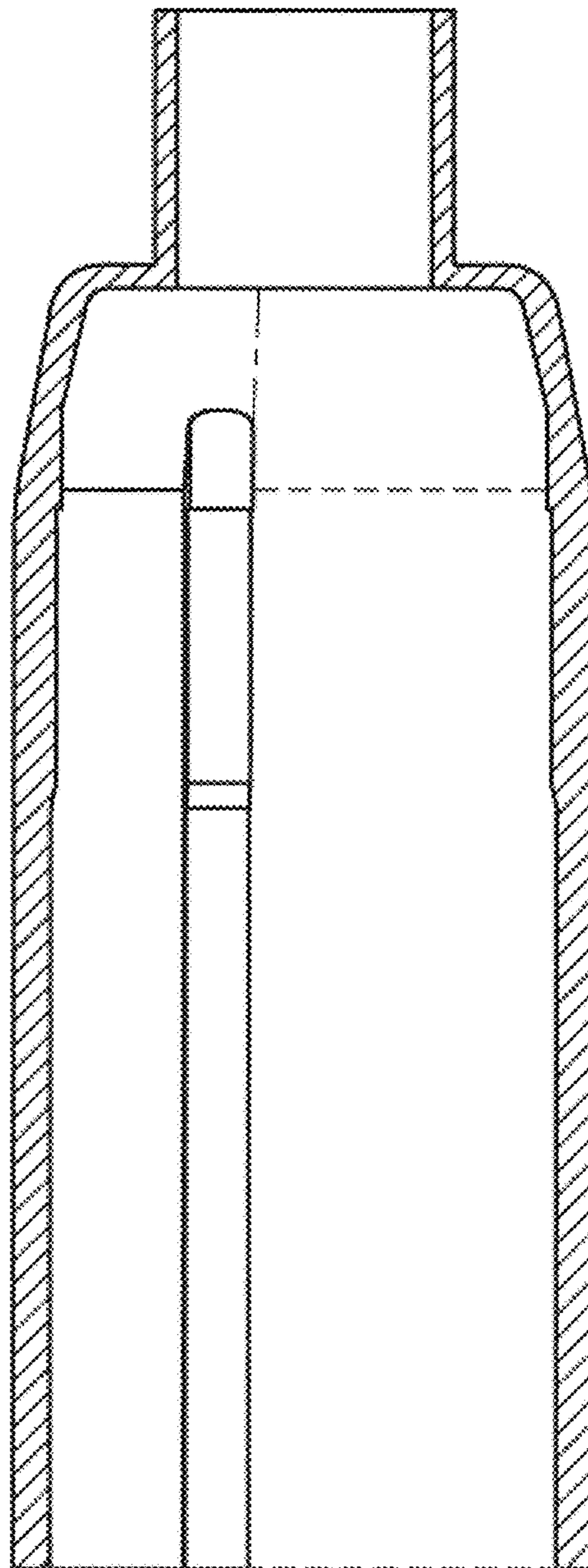


FIG. 11

