

US00D860471S

(12) **United States Design Patent** (10) **Patent No.:** **US D860,471 S**
Hinojosa et al. (45) **Date of Patent:** **** Sep. 17, 2019**

- (54) **PERFUSION MODULE LID**
- (71) Applicant: **Emulate Inc.**, Boston, MA (US)
- (72) Inventors: **Christopher Hinojosa**, Cambridge, MA (US); **Joshua Gomes**, Somerville, MA (US)
- (73) Assignee: **EMULATE, Inc.**, Boston, MA (US)
- (**) Term: **15 Years**
- (21) Appl. No.: **29/570,865**
- (22) Filed: **Jul. 12, 2016**
- (51) **LOC (12) Cl.** **24-02**
- (52) **U.S. Cl.**
USPC **D24/224**
- (58) **Field of Classification Search**
USPC D24/216, 217, 219, 220, 223, 224, 225, D24/226, 227, 232, 233; D9/424, 425, D9/432, 732, 735, 749, 755, 758, 760; D7/550.1, 553.1–553.5, 554.3, 554.4; D18/43, 44; D3/294–295
CPC A47G 23/06; A61B 50/20; A61B 50/30; A61J 1/00; B01L 3/50; B01L 3/52; B01L 7/00; B01L 7/02; C07K 1/26; C12Q 1/00
See application file for complete search history.

- (56) **References Cited**
U.S. PATENT DOCUMENTS
D339,424 S * 9/1993 Riley D24/217
D771,833 S * 11/2016 Leaver D24/224

D772,427 S *	11/2016	Leaver	D24/224
9,629,674 B2 *	4/2017	Derouet	A61B 17/865
D803,173 S *	11/2017	Levner	D13/199
D803,416 S *	11/2017	Leaver	D24/224
D812,766 S *	3/2018	Levner	D24/224
D816,861 S *	5/2018	Levner	D24/224
D825,774 S *	8/2018	Self	D24/224
2016/0136646 A1 *	5/2016	Ingber	B01L 3/563 435/309.1
2016/0243548 A1 *	8/2016	Bhagat	B01L 9/527
2017/0058257 A1 *	3/2017	Levner	C12M 35/04
2018/0016537 A1 *	1/2018	Levner	B01L 3/502715

* cited by examiner

Primary Examiner — Vy N Koenig
(74) *Attorney, Agent, or Firm* — Medlen & Carroll, LLP

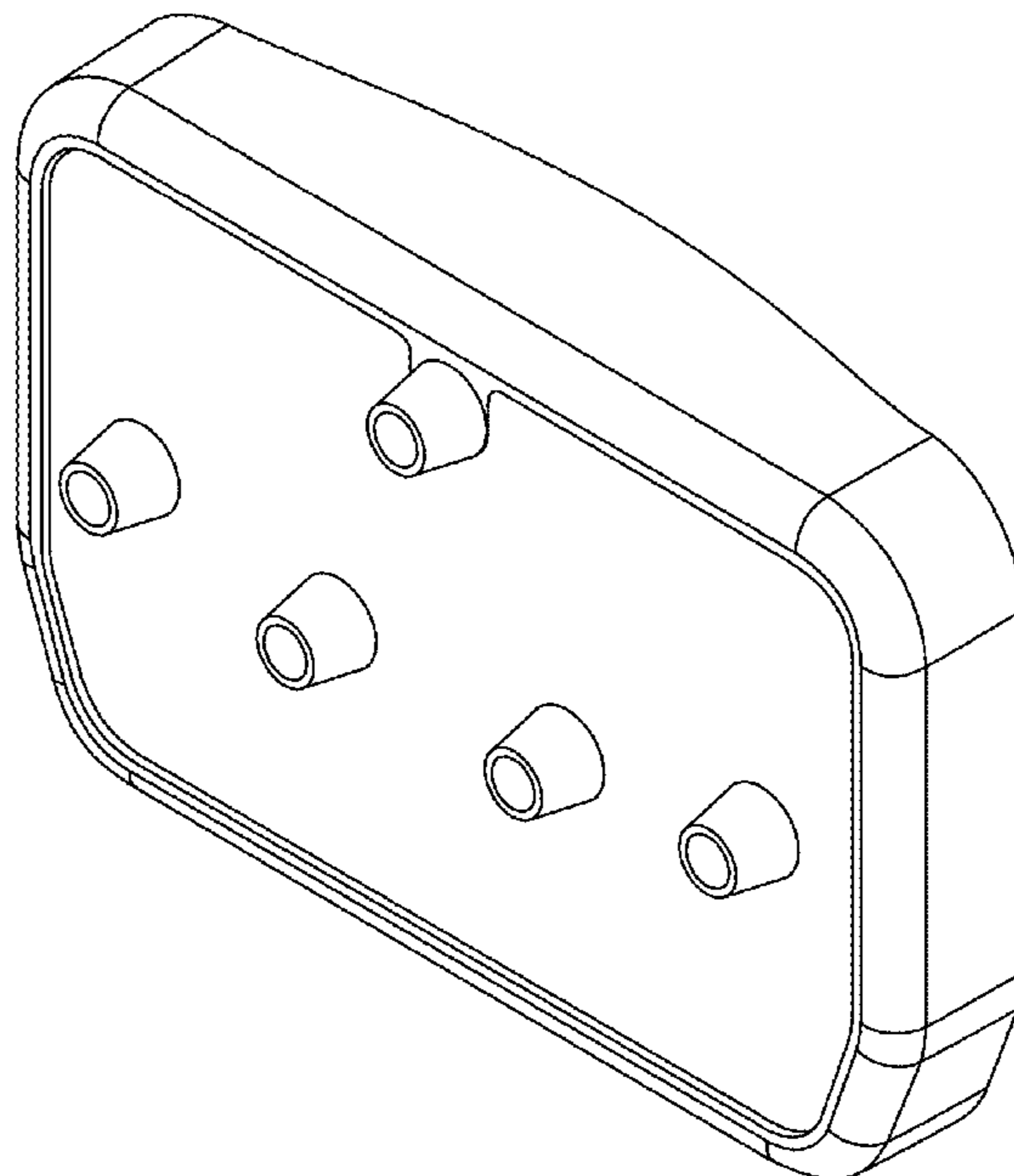
(57) **CLAIM**

The ornamental design for a perfusion module lid, as shown and described.

DESCRIPTION

FIG. 1 is a top plan view of a perfusion module lid showing our new design.
FIG. 2 is a bottom plan view, thereof.
FIG. 3 is a left side elevational view, thereof.
FIG. 4 is a right side elevational view, thereof.
FIG. 5 is a front side elevational view, thereof.
FIG. 6 is a rear side elevational view, thereof; and,
FIG. 7 is a top, right and rear perspective view, thereof.
The lid comprises five port openings with four (4) arranged in an arc ranging across the midsection and a fifth port located on the rear edge.

1 Claim, 7 Drawing Sheets



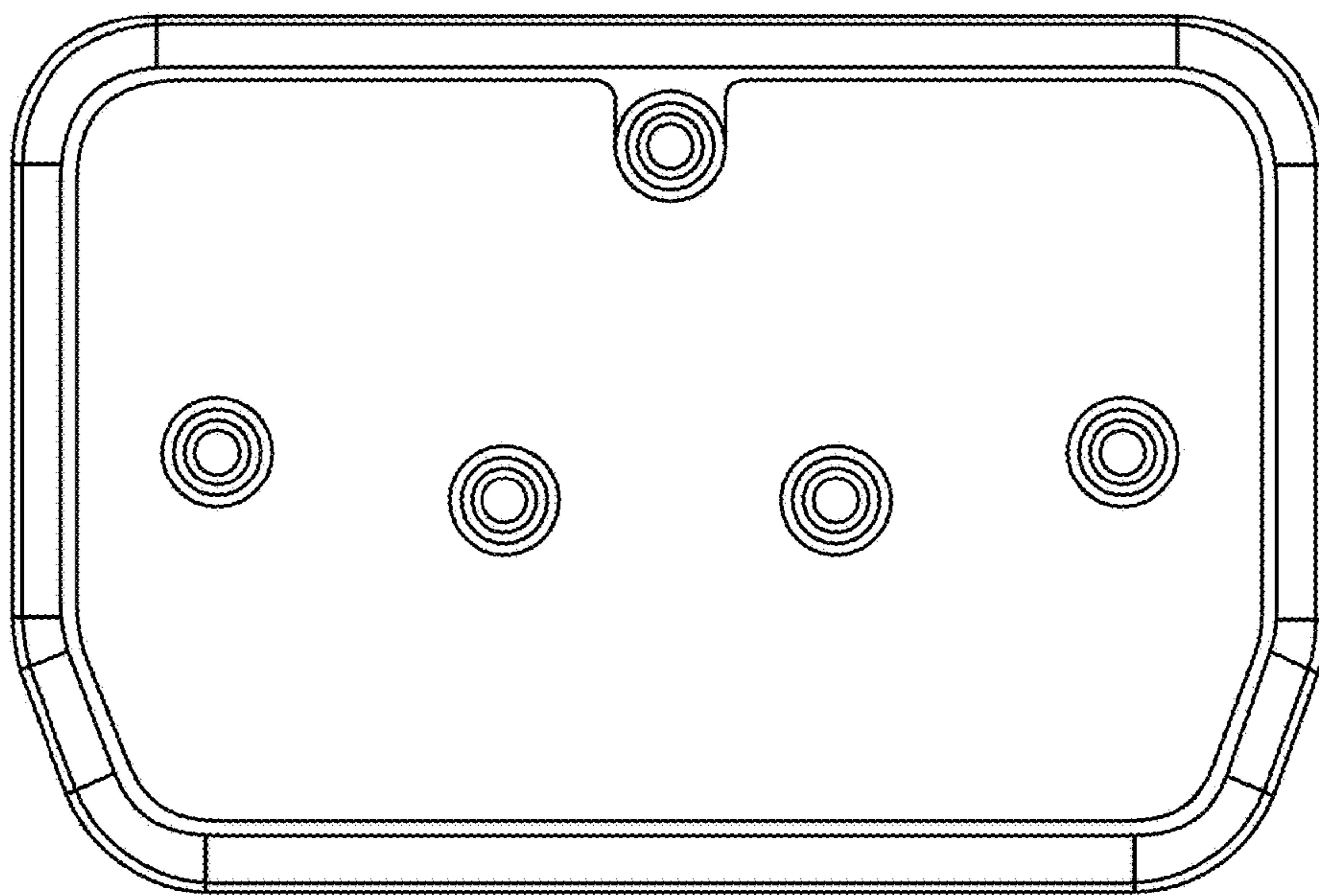


FIG. 1

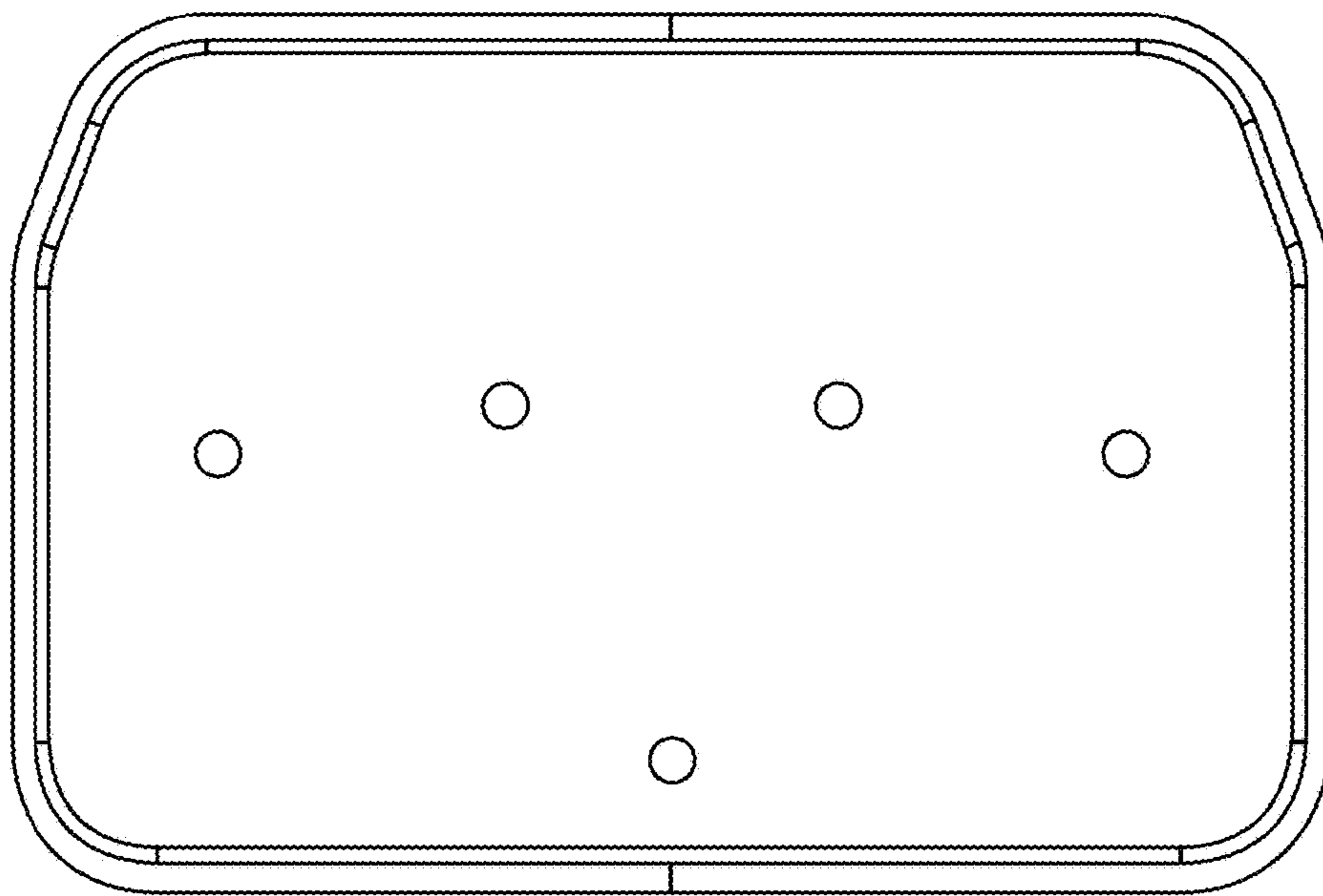


FIG. 2

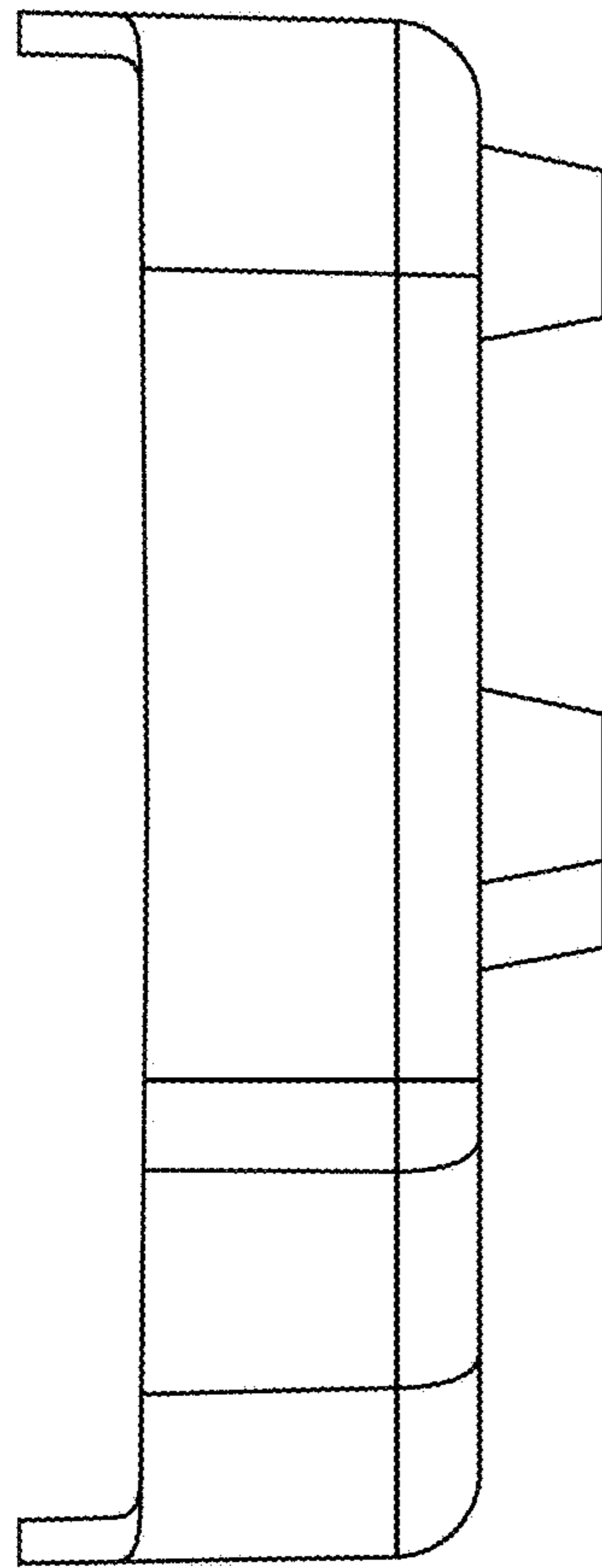


FIG. 3

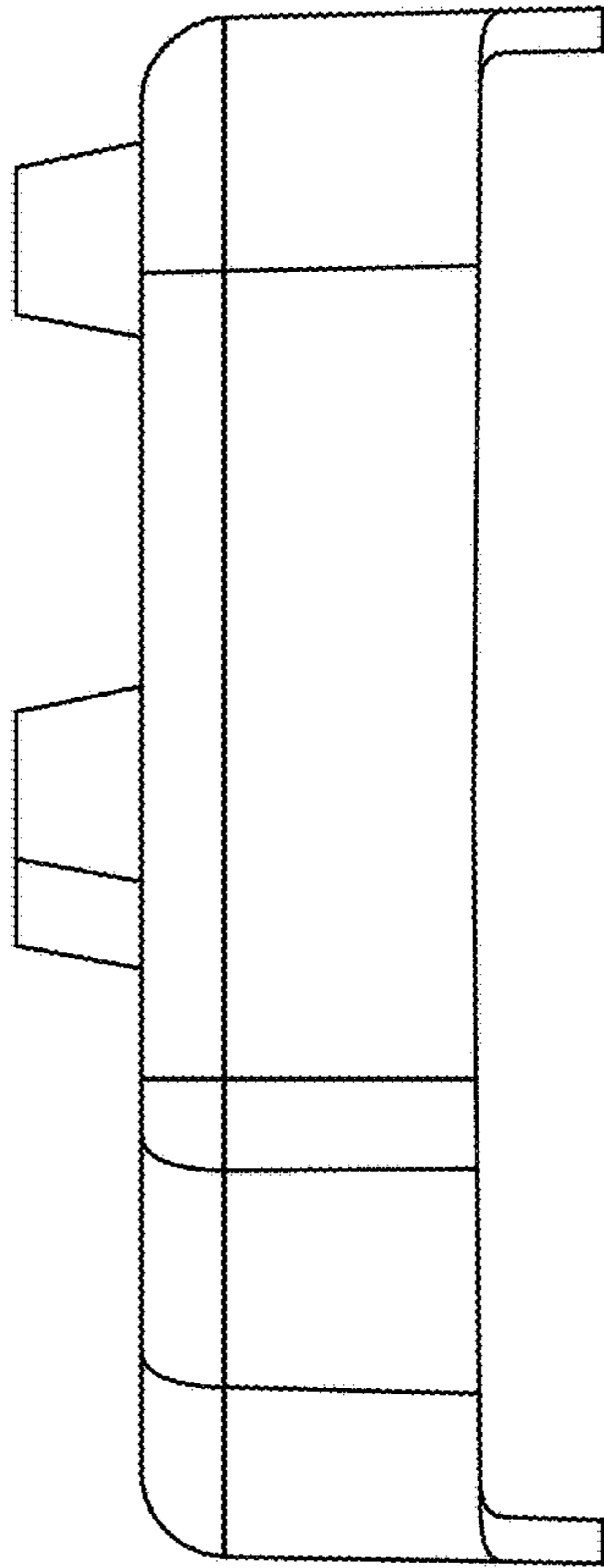


FIG. 4

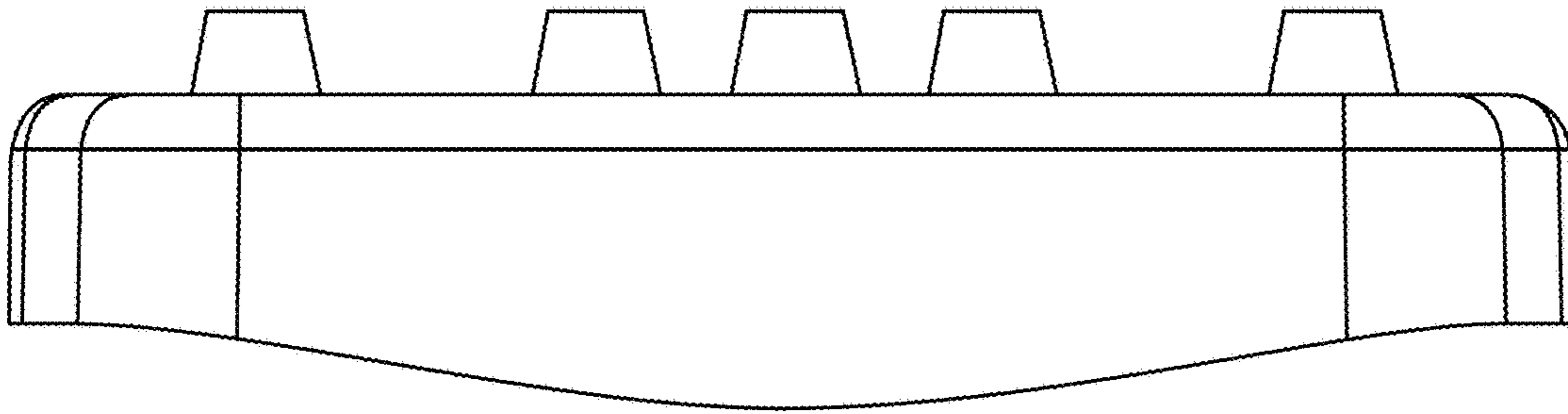


FIG. 5

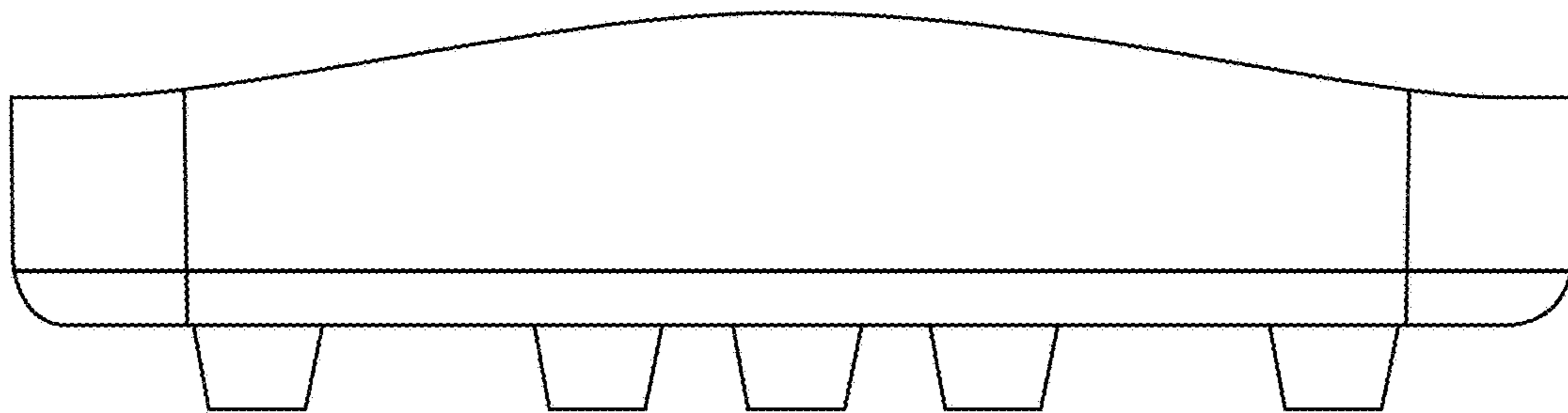


FIG. 6

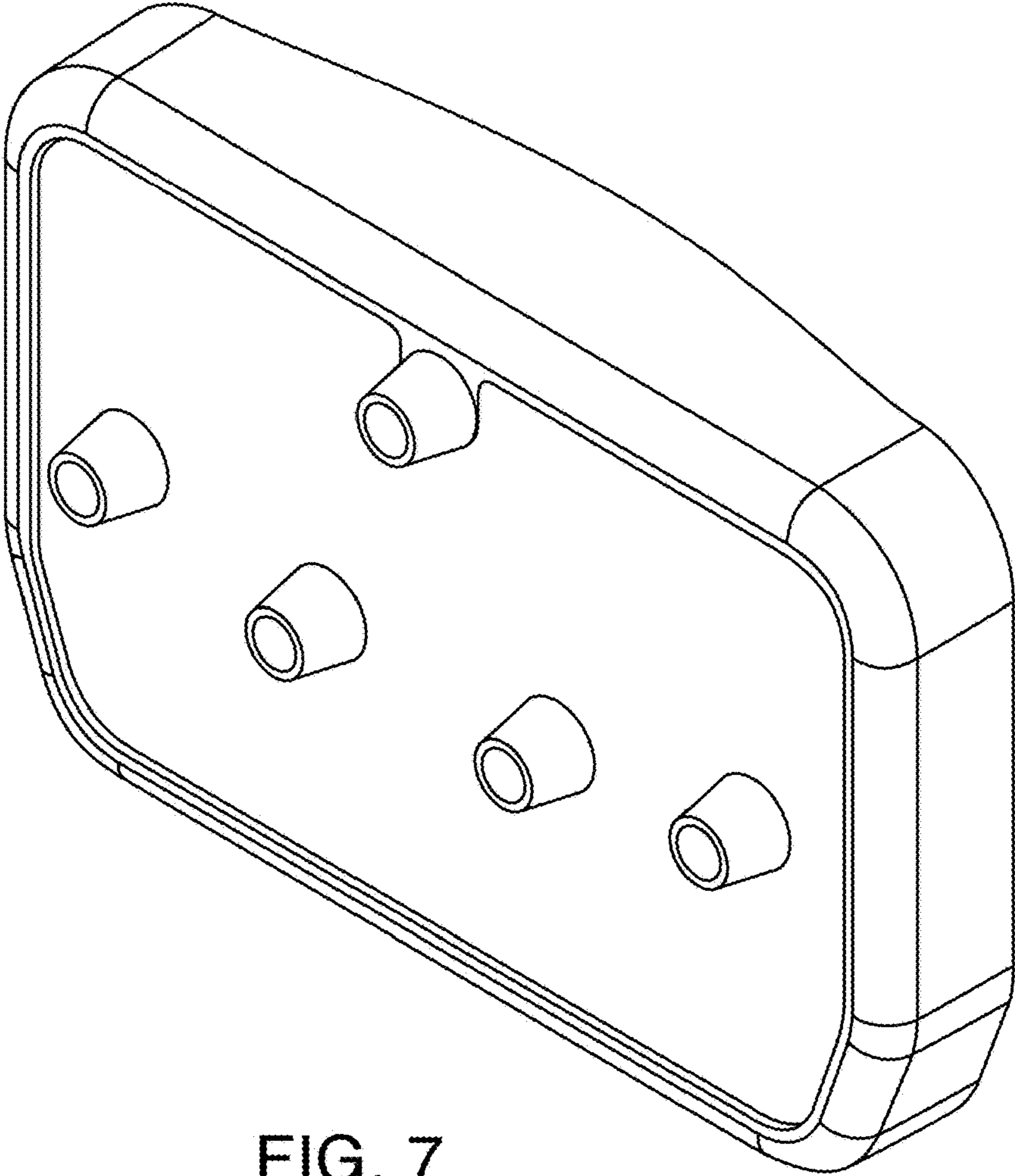


FIG. 7