



US00D860470S

(12) **United States Design Patent** (10) **Patent No.:** **US D860,470 S**  
**Li** (45) **Date of Patent:** **\*\* Sep. 17, 2019**

(54) **COSMETIC INSTRUMENT SET**  
(71) Applicant: **Bangyan Li**, Guangdong (CN)  
(72) Inventor: **Bangyan Li**, Guangdong (CN)  
(\*\*) Term: **15 Years**  
(21) Appl. No.: **29/654,863**  
(22) Filed: **Jun. 28, 2018**

(30) **Foreign Application Priority Data**  
Jun. 1, 2018 (CN) ..... 2018 3 0272018  
(51) **LOC (12) Cl.** ..... **28-03**  
(52) **U.S. Cl.**  
USPC ..... **D24/214**  
(58) **Field of Classification Search**  
USPC ..... 601/19, 22, 40, 46, 52, 63, 99, 110-113,  
601/118-120, DIG. 12, DIG. 14, DIG. 15,  
601/DIG. 16, DIG. 17; D24/200, 211,  
D24/212, 213, 214, 215; 600/38, 39, 40,  
600/41  
CPC . A61H 2207/00; A61H 23/00; A61B 17/1325  
See application file for complete search history.

(56) **References Cited**  
**U.S. PATENT DOCUMENTS**  
D226,583 S \* 3/1973 Welch ..... D24/214  
D234,725 S \* 4/1975 Yamada ..... D24/214  
D315,958 S \* 4/1991 Castel ..... D24/214  
D323,034 S \* 1/1992 Reinstein ..... D24/200  
D425,241 S \* 5/2000 Nishizawa ..... D28/9  
D463,862 S \* 10/2002 Lau ..... D24/214  
D510,441 S \* 10/2005 Harris, Jr. .... D24/214  
D531,733 S \* 11/2006 Burout, III ..... D24/215  
D538,430 S \* 3/2007 Ohta ..... D24/146  
7,258,675 B2 \* 8/2007 Nichols ..... A61H 7/005  
601/10  
D660,449 S \* 5/2012 Sevier ..... D24/211

(Continued)

*Primary Examiner* — Cynthia Ramirez  
*Assistant Examiner* — Michael A Maharajh

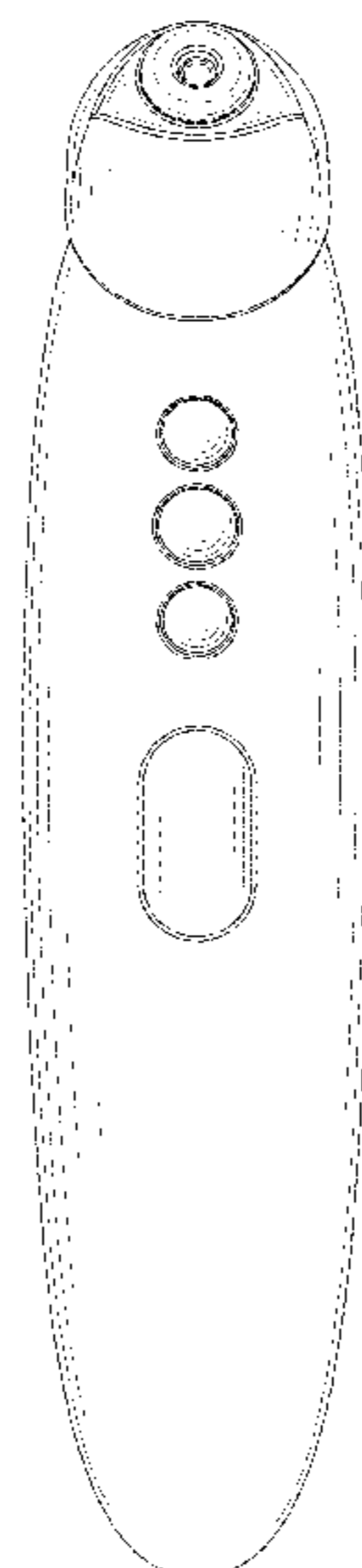
(57) **CLAIM**

The ornamental design for a cosmetic instrument set, as shown and described.

**DESCRIPTION**

FIG. 1 is a front elevational view of a cosmetic instrument set showing my new design, with a portion of the set shown separate for convenience of illustration;  
FIG. 2 is a rear elevational view of FIG. 1;  
FIG. 3 is a left side view of FIG. 1;  
FIG. 4 is a right side view of FIG. 1;  
FIG. 5 is a top plan view of FIG. 1;  
FIG. 6 is a bottom plan view of FIG. 1;  
FIG. 7 is a top, front, left side perspective view of FIG. 1;  
FIG. 8 is a front elevational view of the cosmetic instrument set holder shown separate for convenience of illustration;  
FIG. 9 is a rear elevational view of FIG. 8;  
FIG. 10 is a left side view of FIG. 8;  
FIG. 11 is a right side view of FIG. 8;  
FIG. 12 is a top plan view of FIG. 8;  
FIG. 13 is a bottom plan view of FIG. 8;  
FIG. 14 is a top, front and left side perspective view of FIG. 8;  
FIG. 15 is a front elevational view of the cosmetic instrument set;  
FIG. 16 is a left side view of FIG. 15;  
FIG. 17 is a top, front and left side perspective view of FIG. 15; and,  
FIG. 18 is a bottom, rear and left side perspective view of FIG. 15.  
The broken lines in the drawings illustrate portions of the cosmetic instrument set which form no part of the claimed design.

**1 Claim, 18 Drawing Sheets**



(56)

## References Cited

## U.S. PATENT DOCUMENTS

D693,932	S	*	11/2013	Nichols	.....	D24/214
D736,399	S	*	8/2015	Nichols	.....	D24/214
D737,441	S	*	8/2015	Presser	.....	D24/146
D738,516	S	*	9/2015	Karim	.....	D24/200
D742,003	S	*	10/2015	Tasar	.....	D24/146
D768,308	S	*	10/2016	Hetzel	.....	D24/214
D768,309	S	*	10/2016	Hetzel	.....	D24/214
D768,310	S	*	10/2016	Hetzel	.....	D24/214
D795,065	S	*	8/2017	Son	.....	D9/442
D795,066	S	*	8/2017	Son	.....	D9/442
D795,423	S	*	8/2017	Chen	.....	D24/133
D804,332	S	*	12/2017	Lim	.....	D10/57
D819,221	S	*	5/2018	Lei	.....	D24/200
D822,843	S	*	7/2018	Lenke	.....	D24/215
D823,478	S	*	7/2018	Park	.....	D24/215
D824,039	S	*	7/2018	Hetzel	.....	D24/215
D825,073	S	*	8/2018	Lenke	.....	D24/215
D827,843	S	*	9/2018	Bainton	.....	D24/200
D836,792	S	*	12/2018	Fuhner	.....	D24/215
D837,395	S	*	1/2019	Gan	.....	D24/214
D838,860	S	*	1/2019	Lee	.....	D24/214
D840,547	S	*	2/2019	Harle	.....	D24/214
D847,363	S	*	4/2019	Aulwes	.....	D24/215
D848,013	S	*	5/2019	Fuhner	.....	D24/215
2006/0047330	A1	*	3/2006	Whatcott	.....	A61N 5/0616 607/89
2013/0030506	A1	*	1/2013	Bartolone	.....	A61N 5/0616 607/89
2014/0121631	A1	*	5/2014	Bean	.....	A61N 5/0616 604/500
2015/0150599	A1	*	6/2015	Matsushita	.....	A61N 2/06 604/20

\* cited by examiner

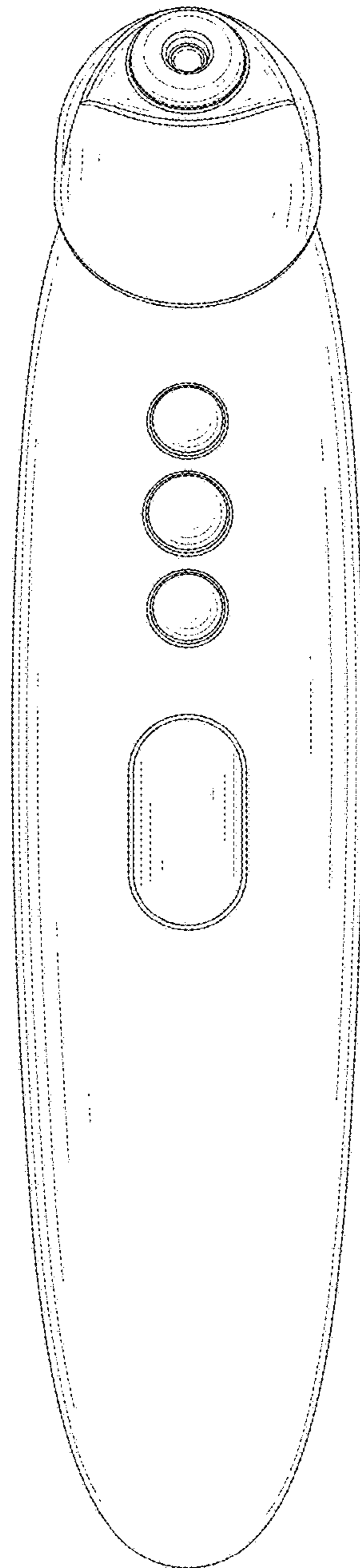


FIG. 1

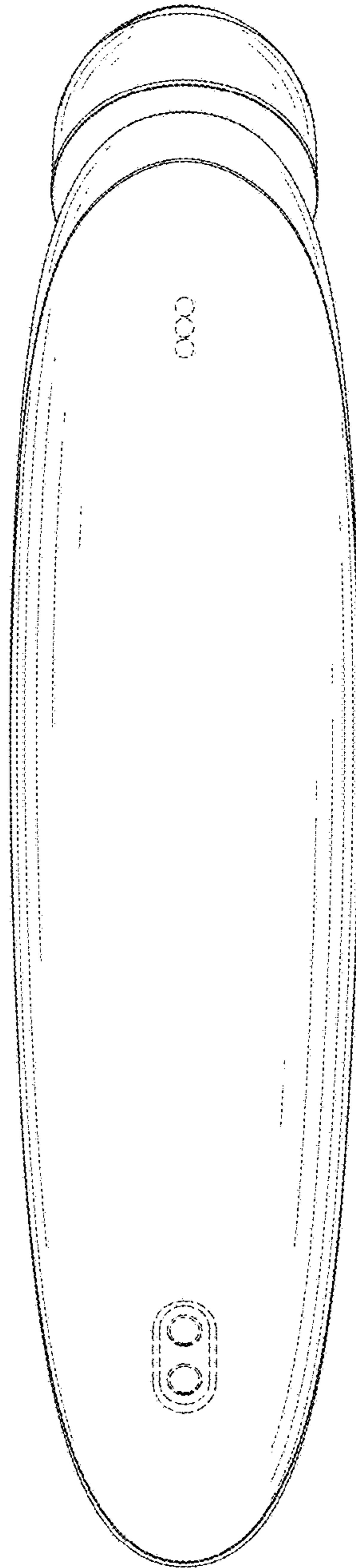


FIG. 2

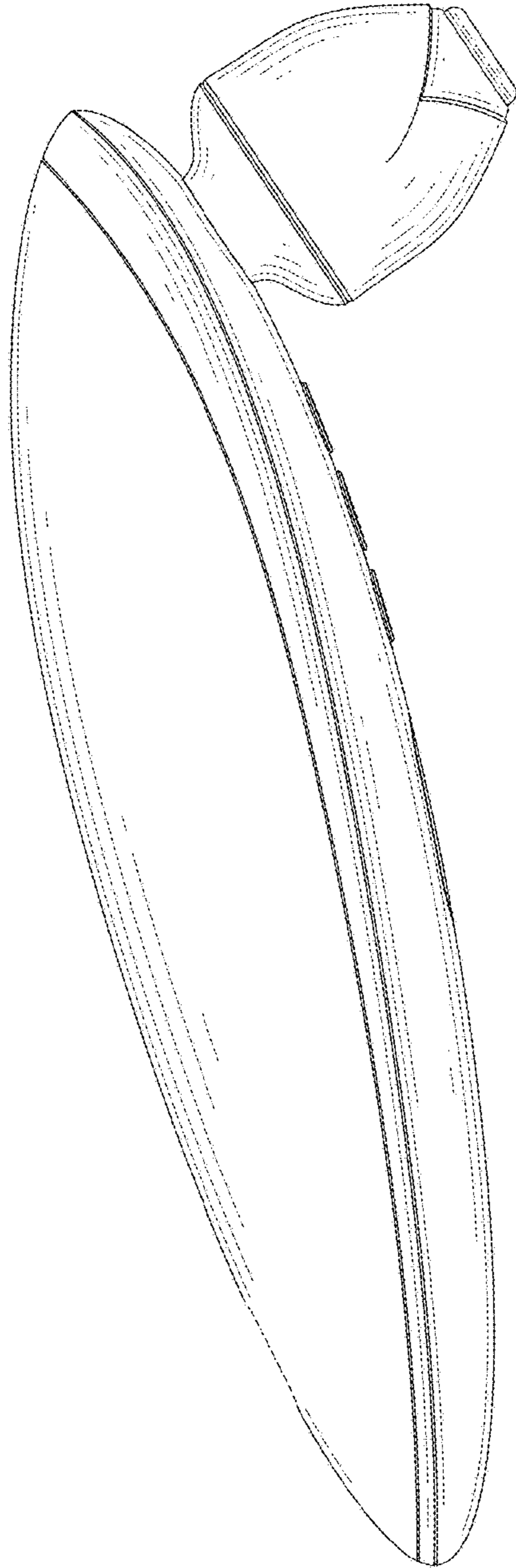


FIG. 3

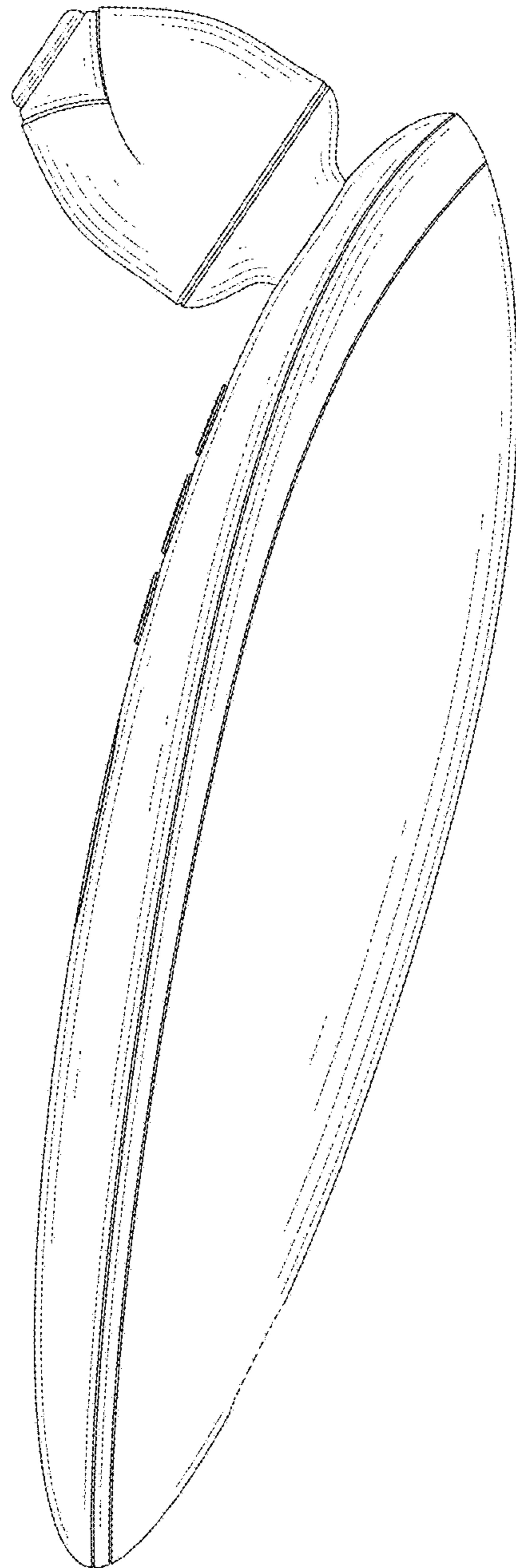


FIG. 4

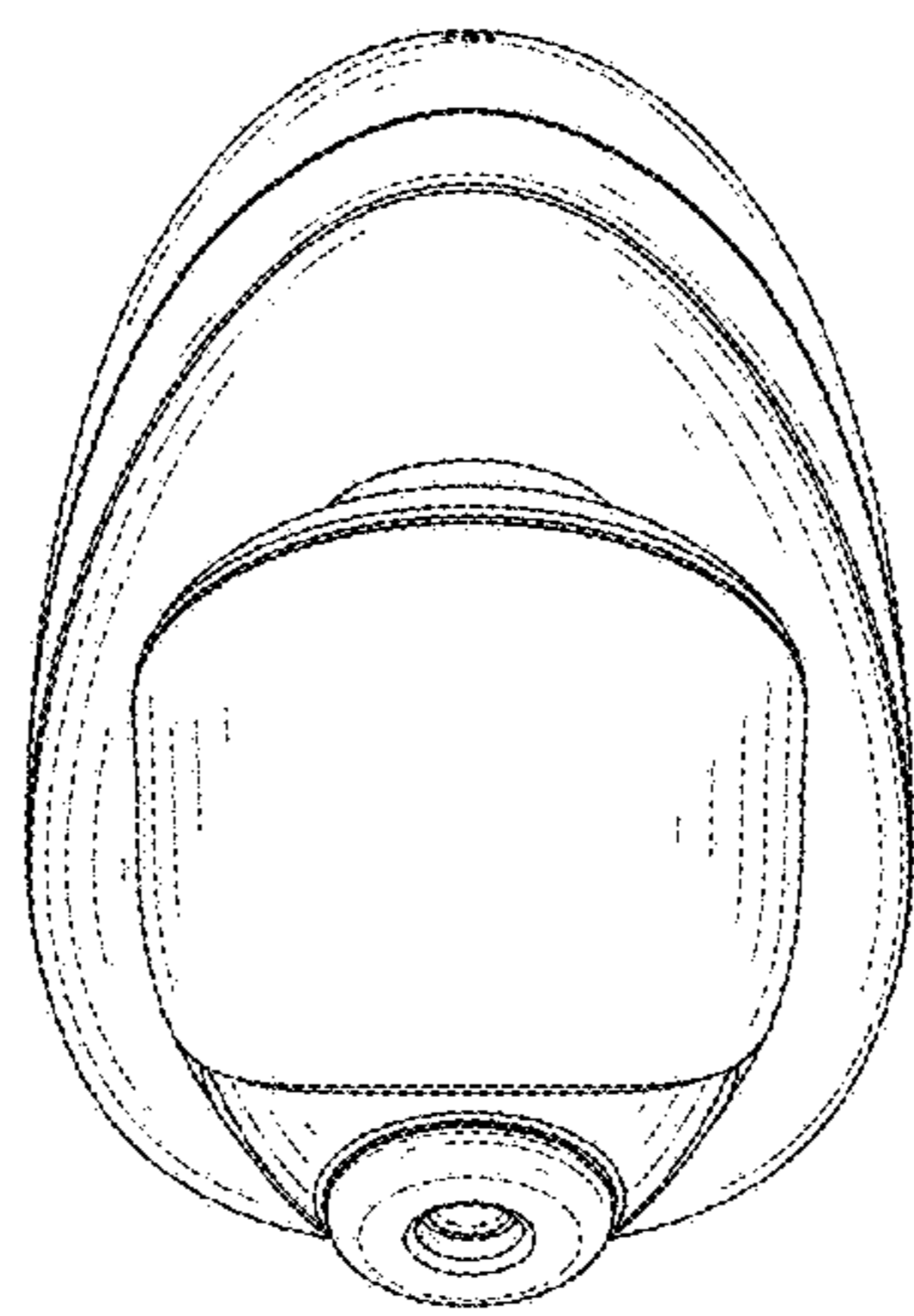


FIG. 5

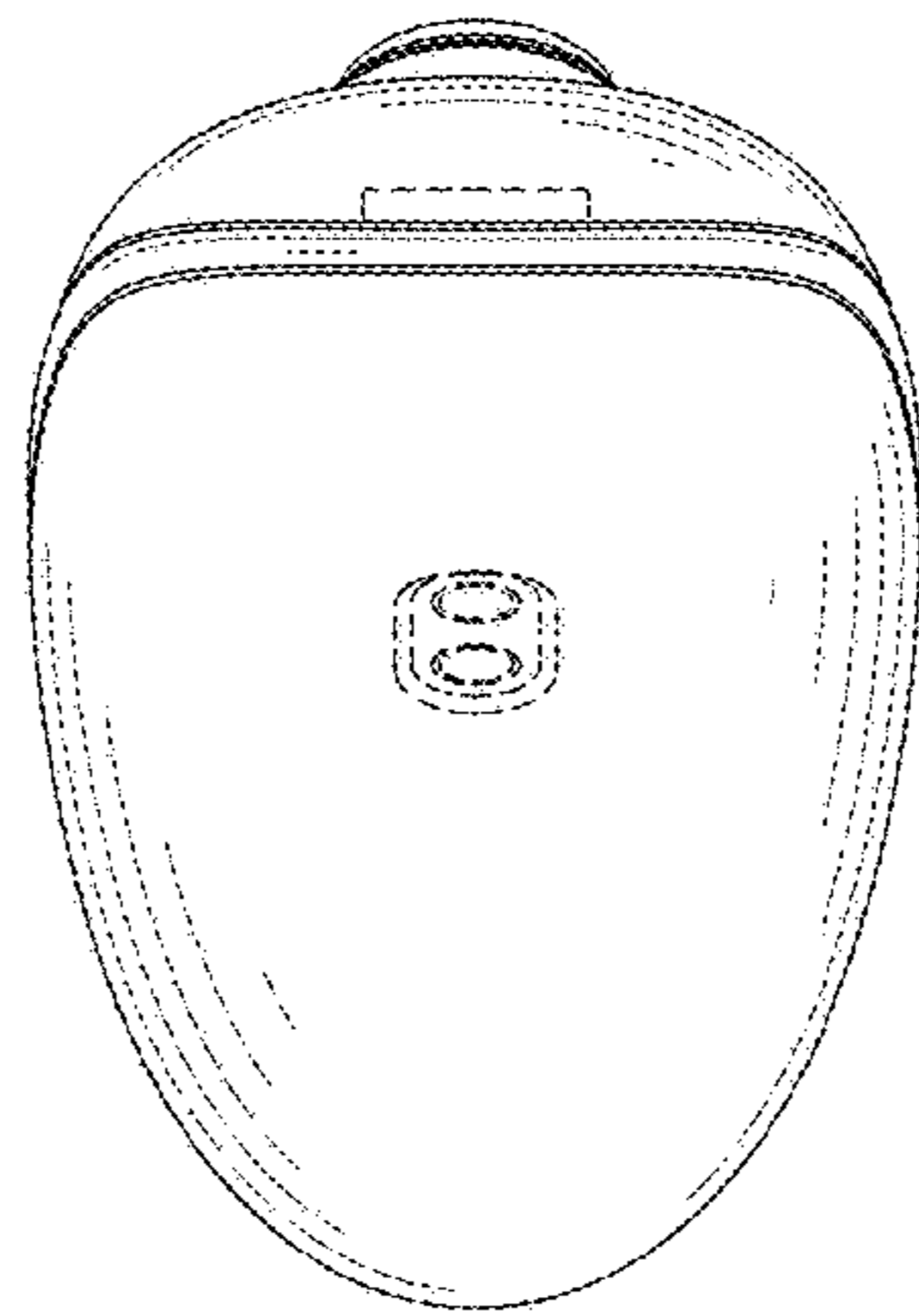


FIG. 6



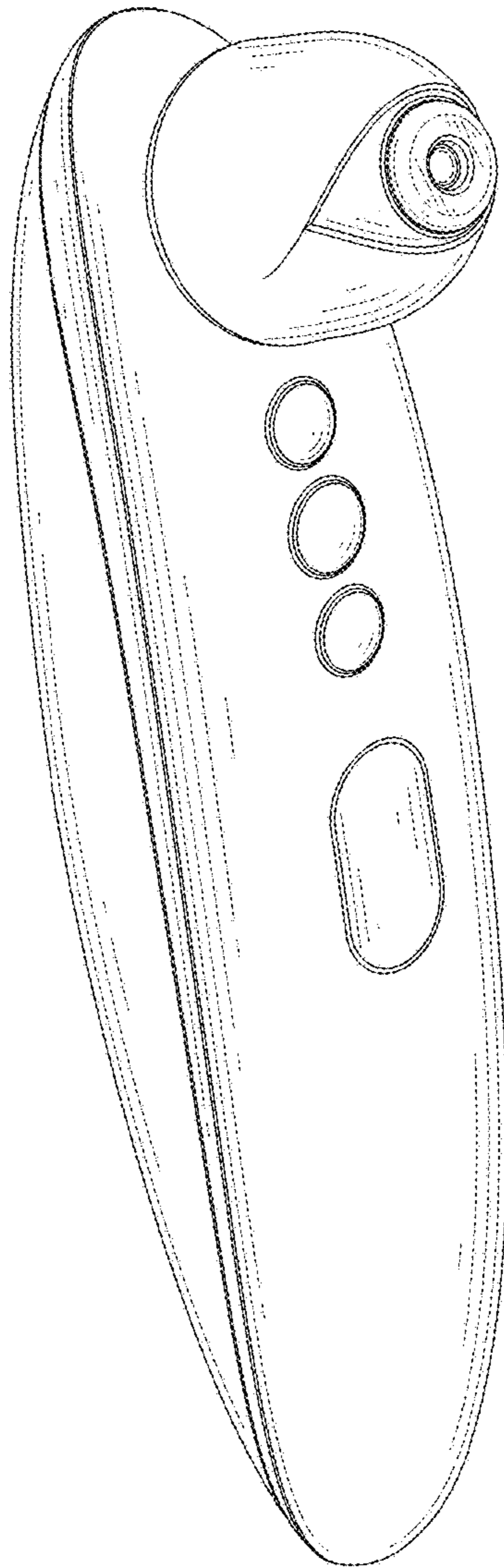


FIG. 7

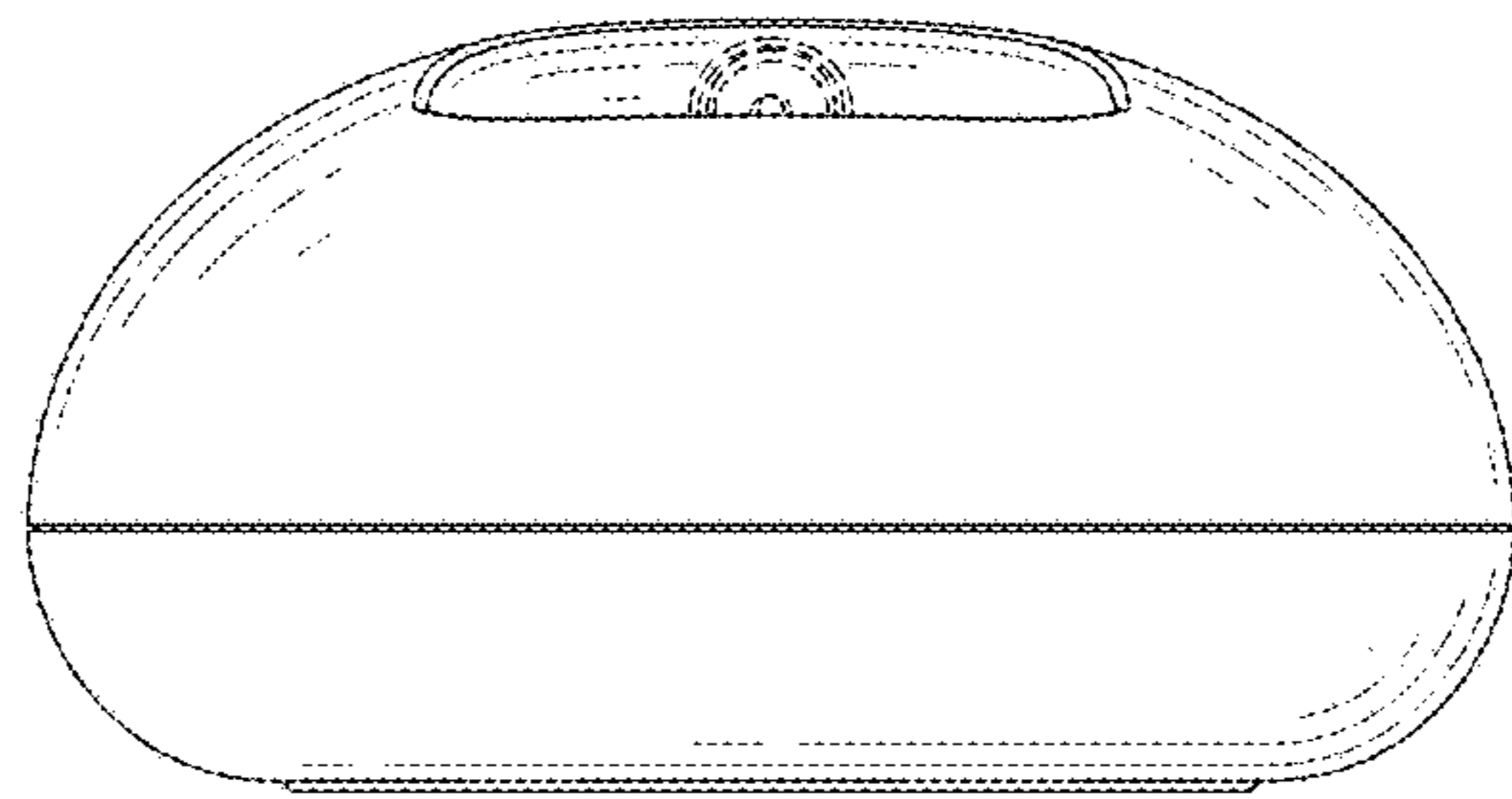


FIG. 8

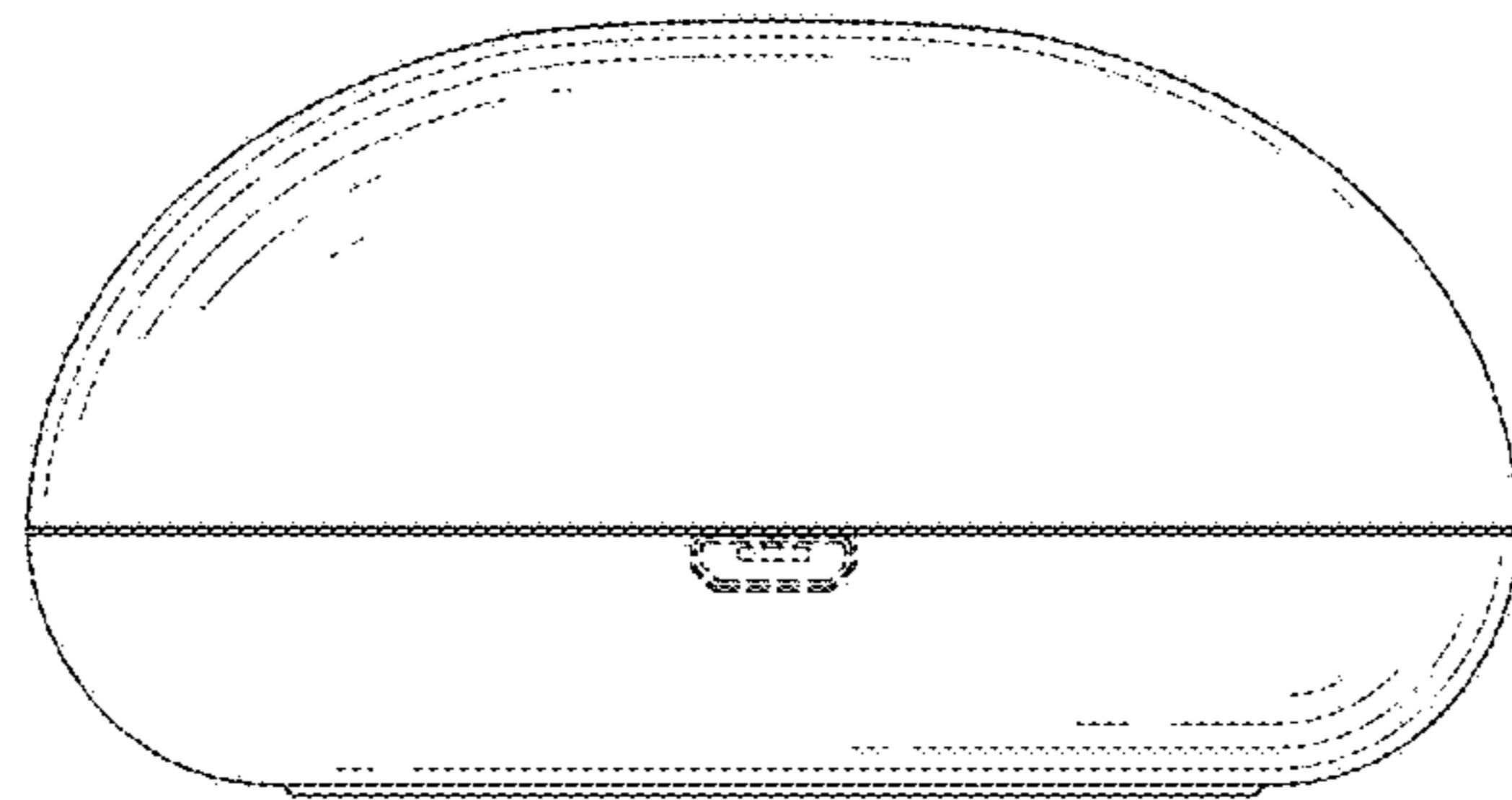


FIG. 9

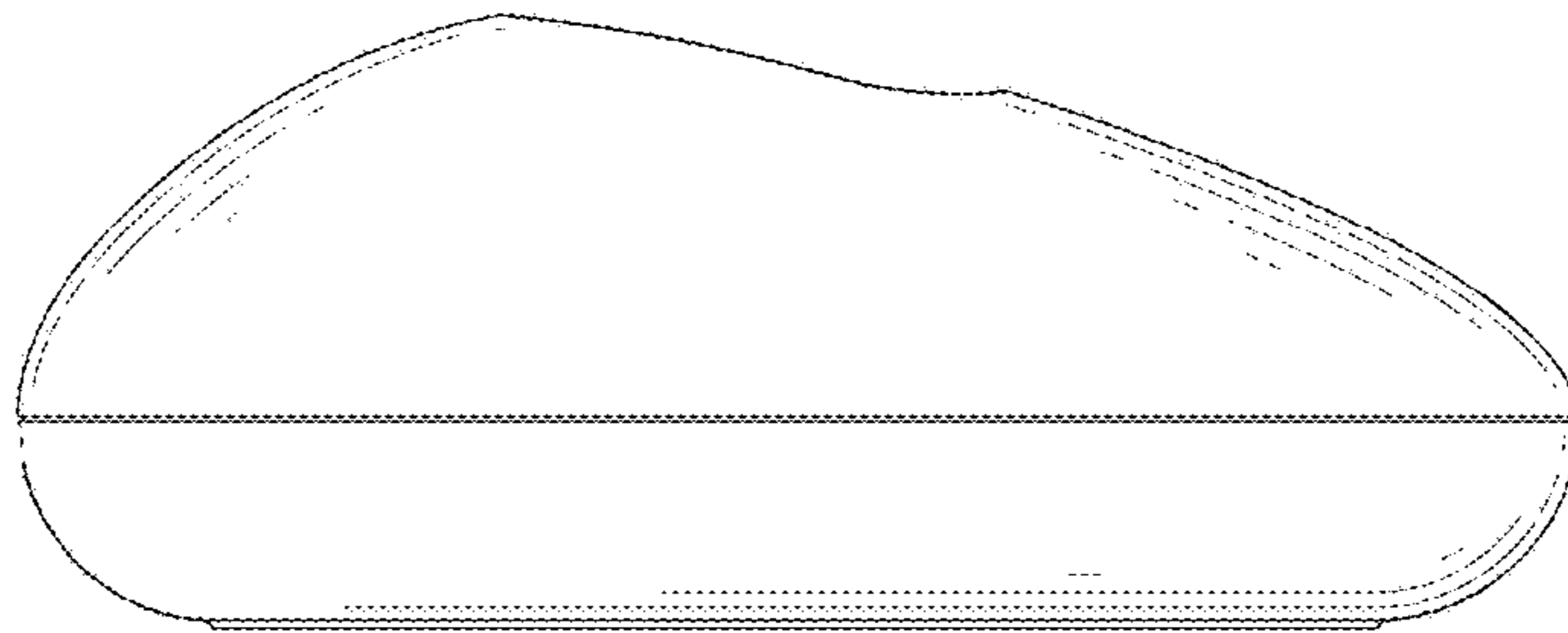


FIG. 10

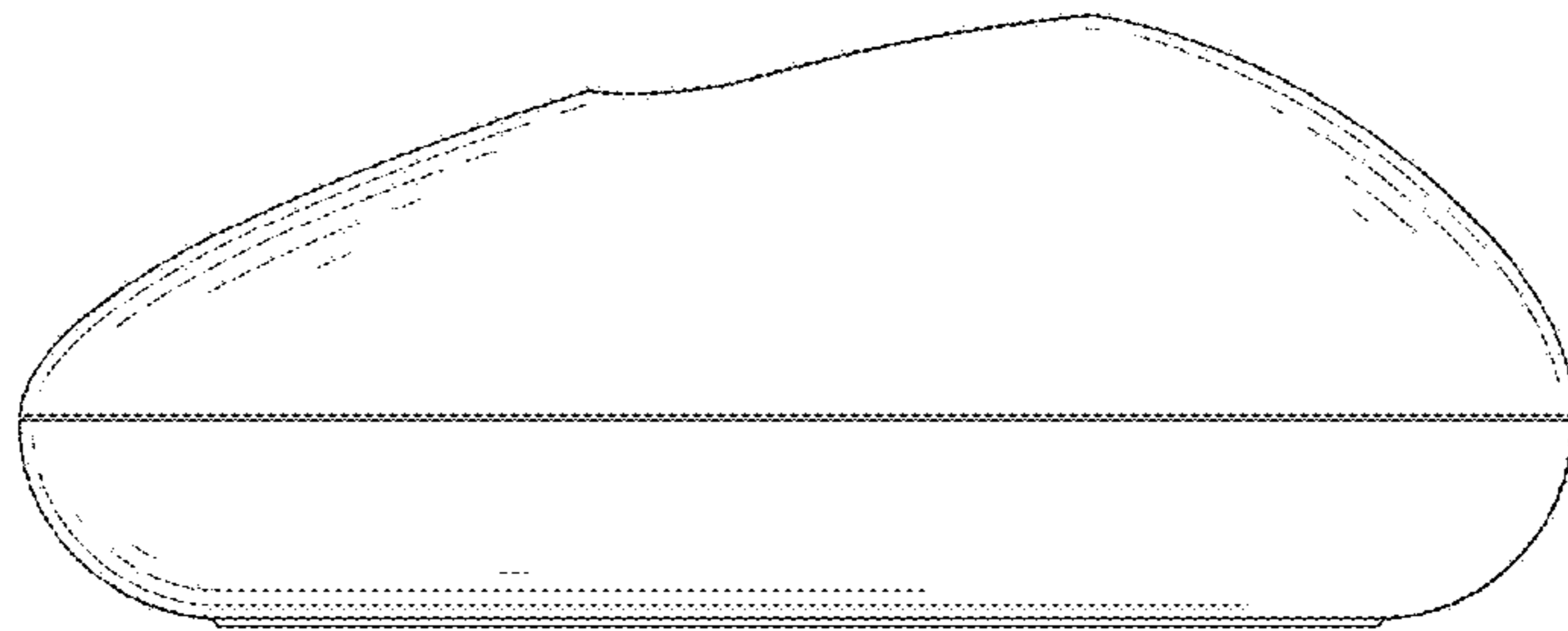


FIG. 11

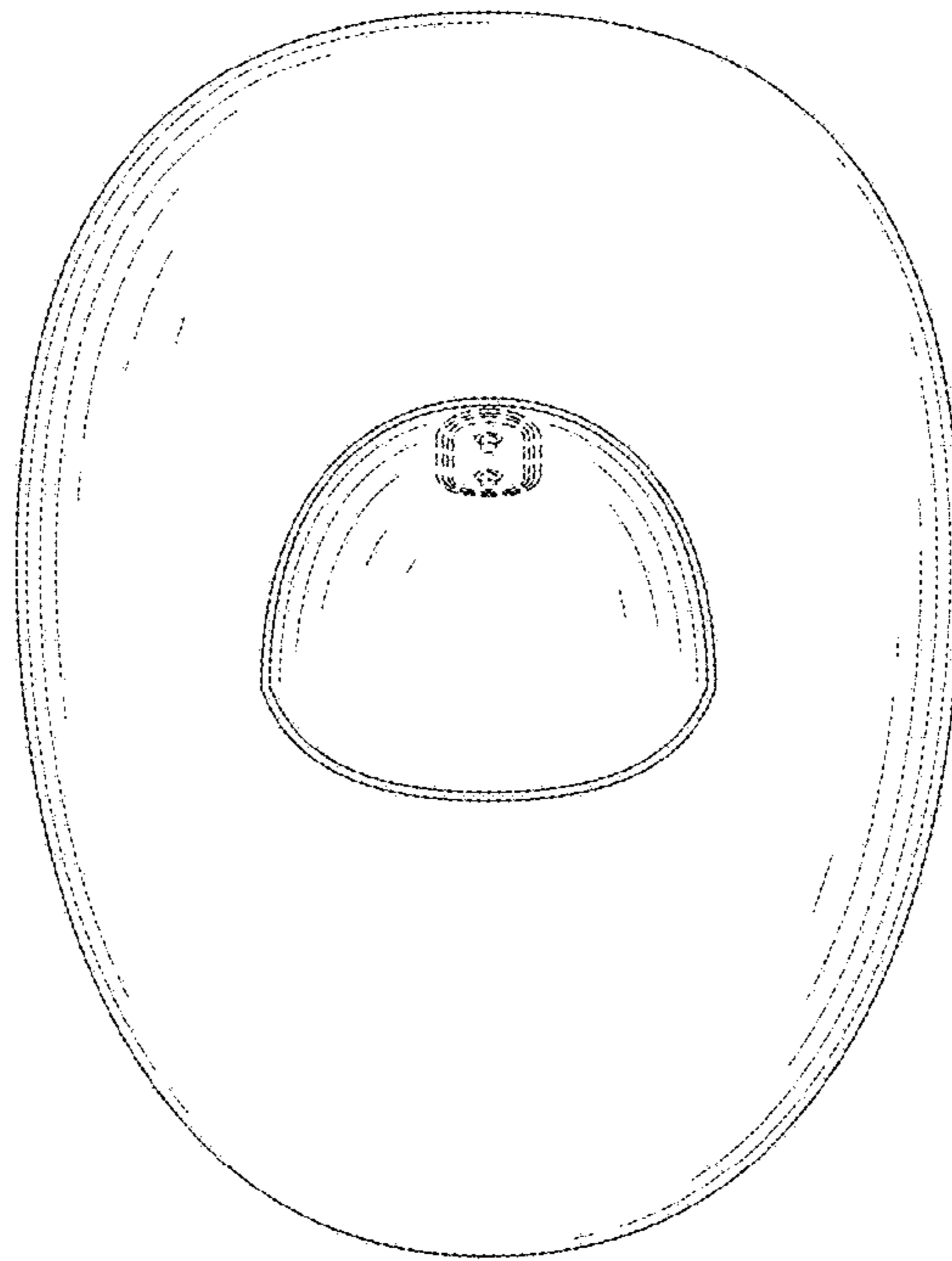


FIG. 12

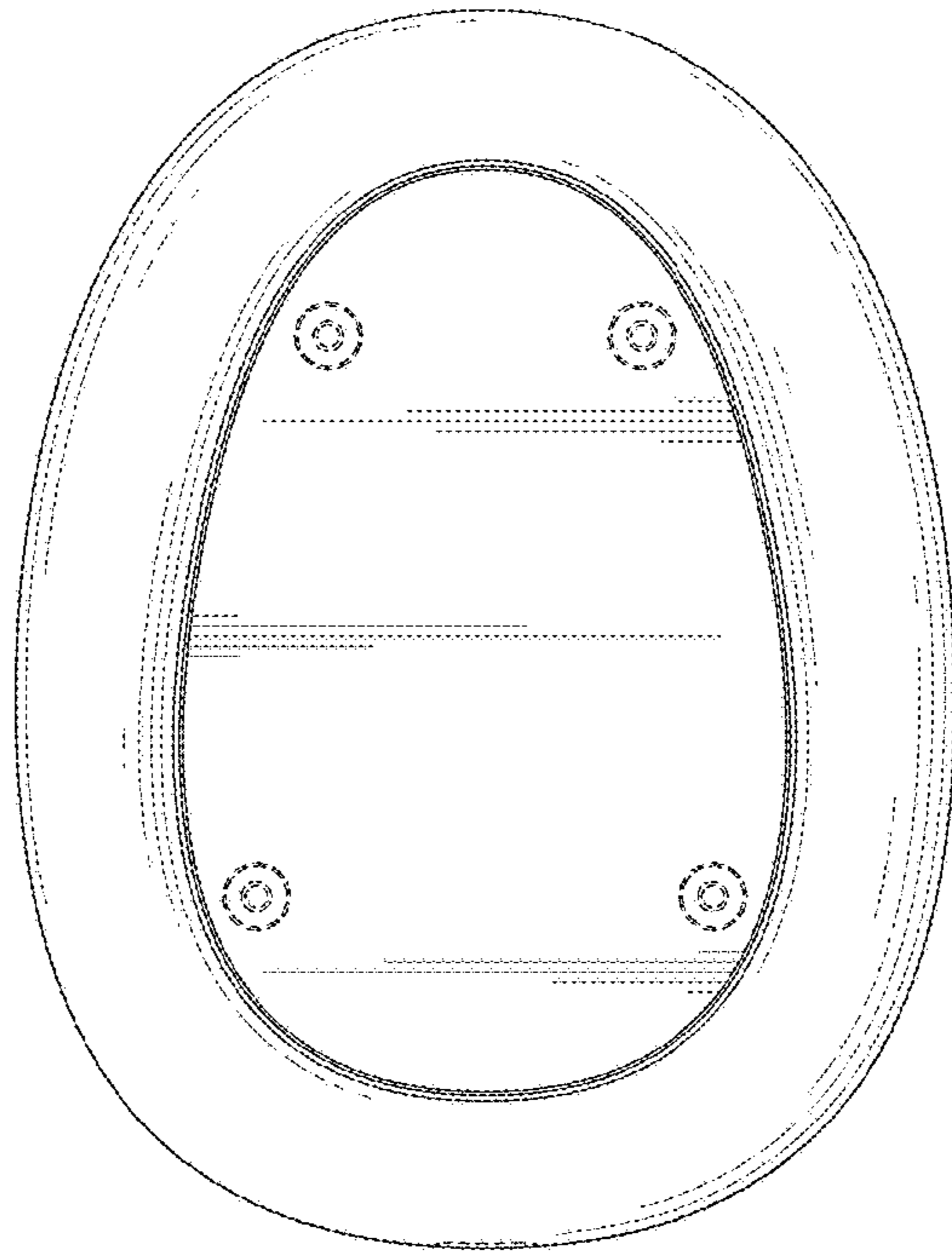


FIG. 13

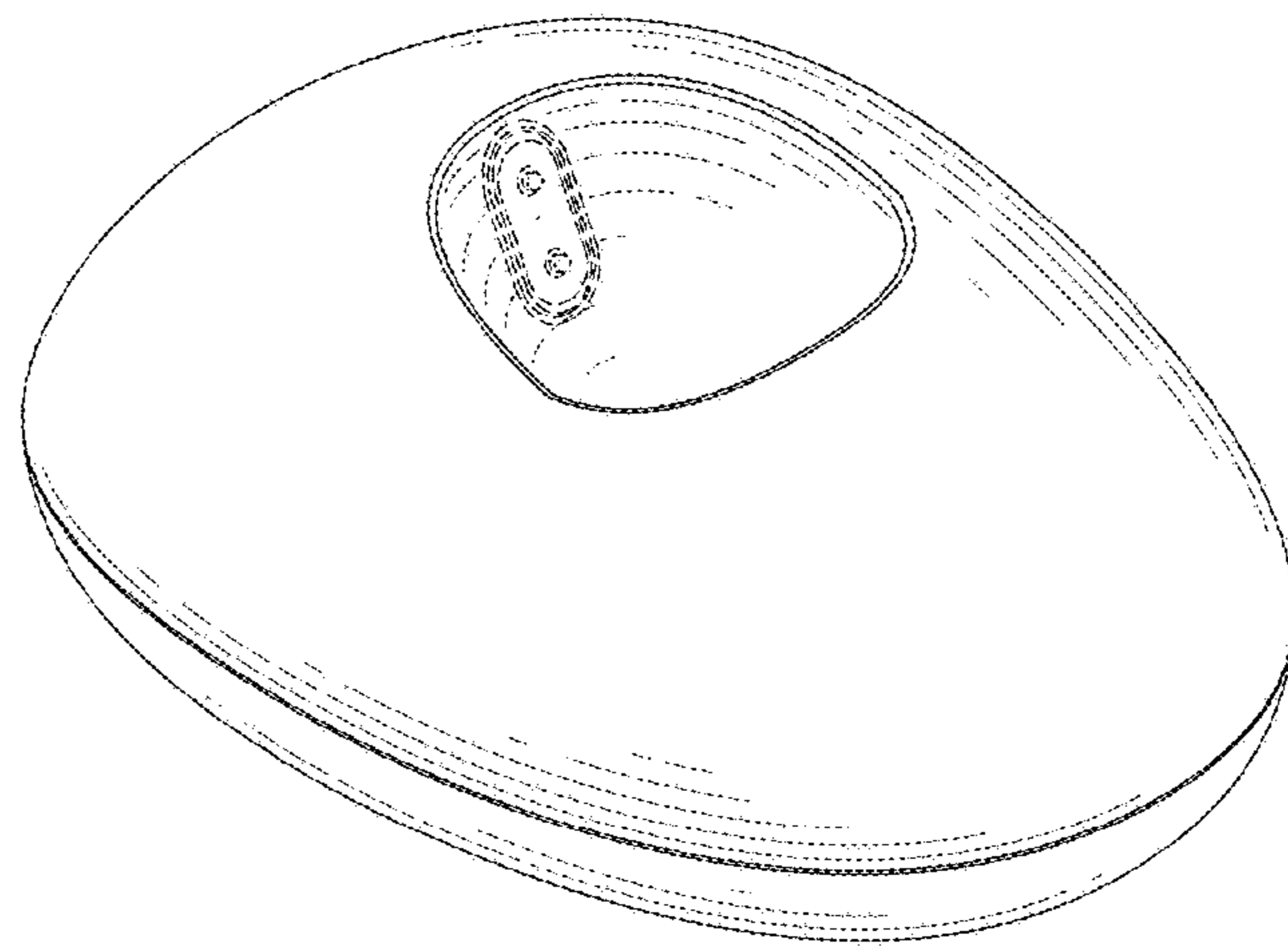


FIG. 14



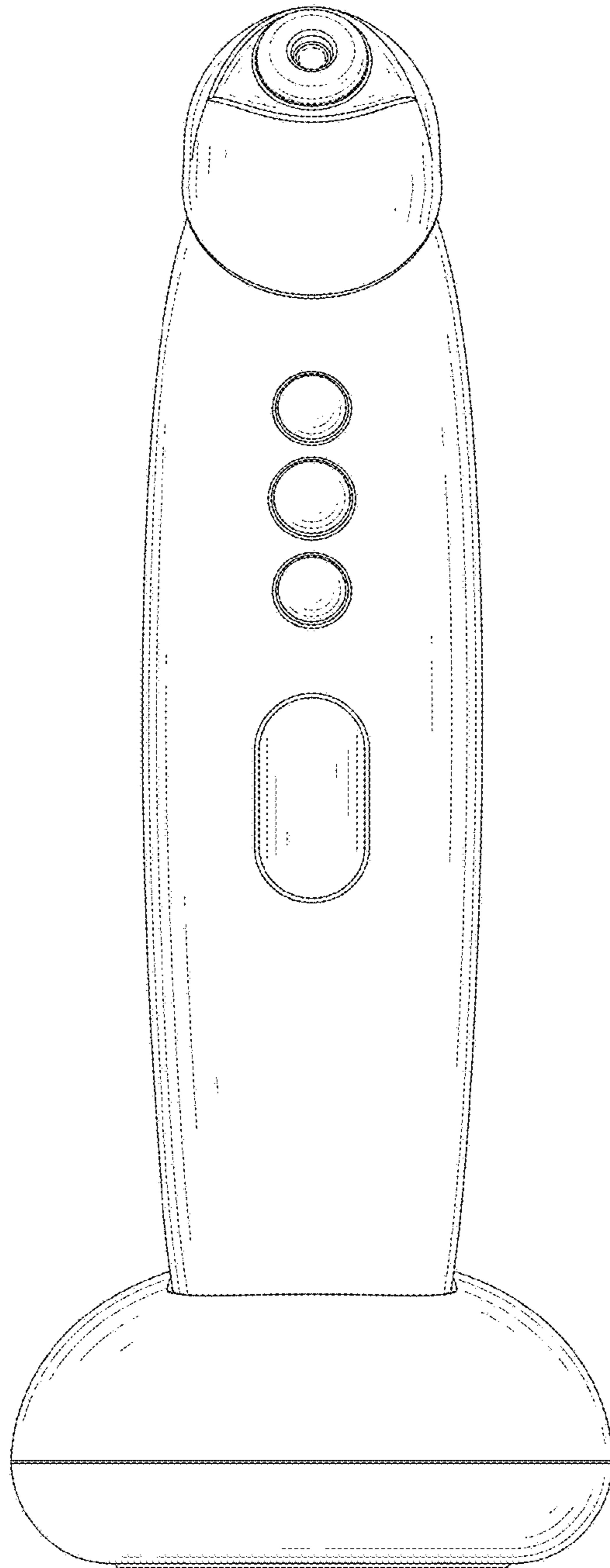


FIG. 15

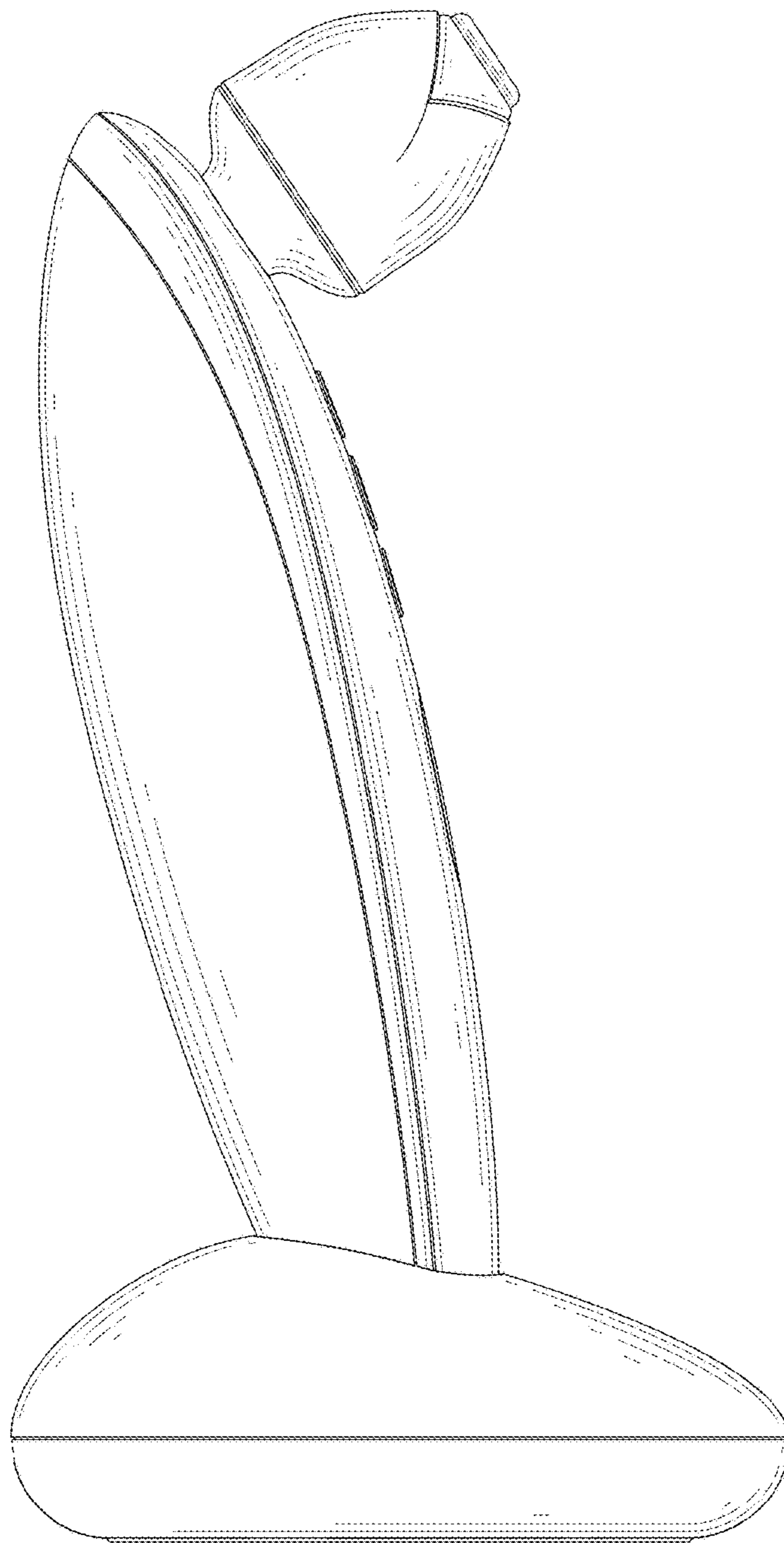


FIG. 16

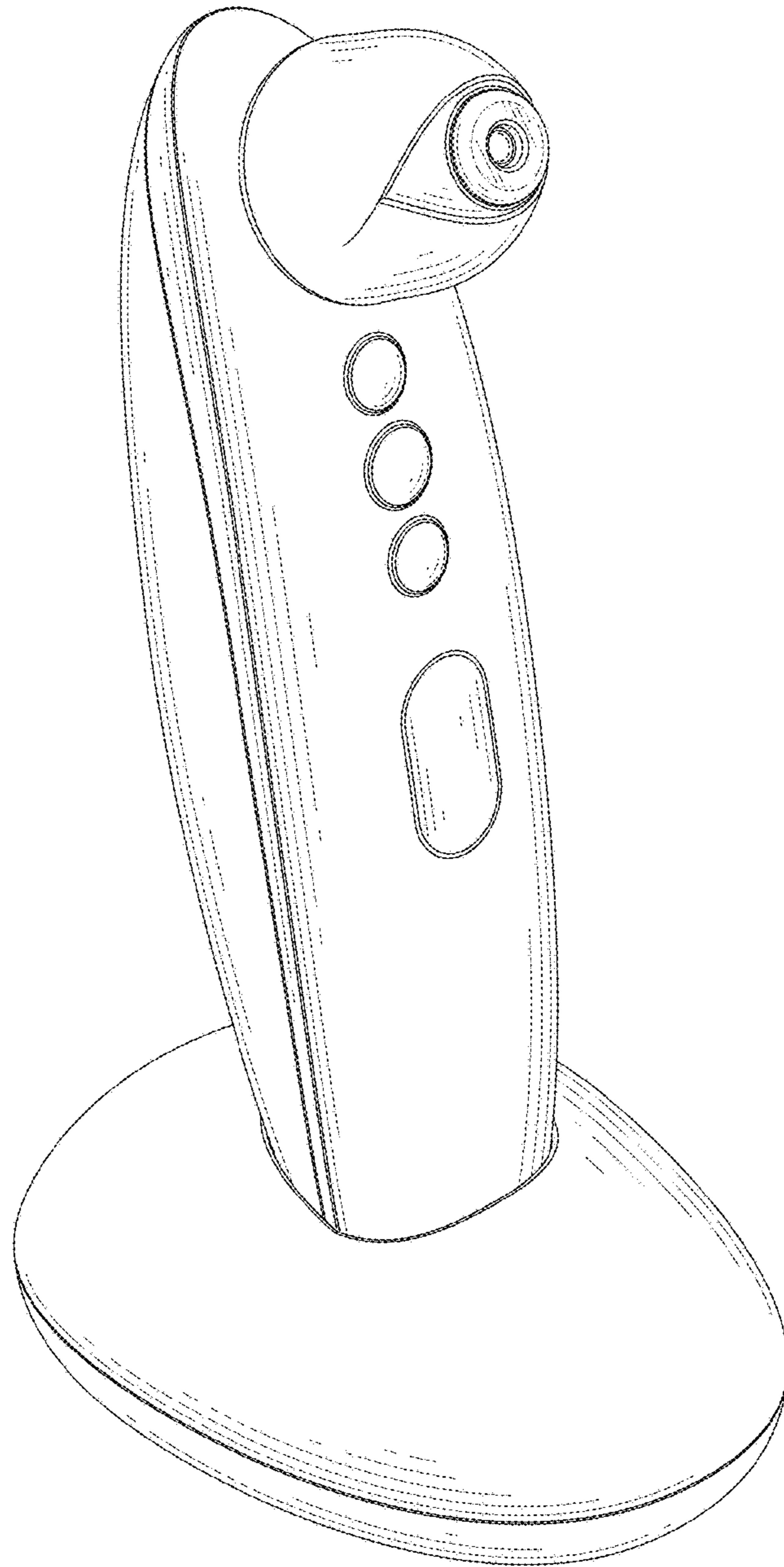


FIG. 17

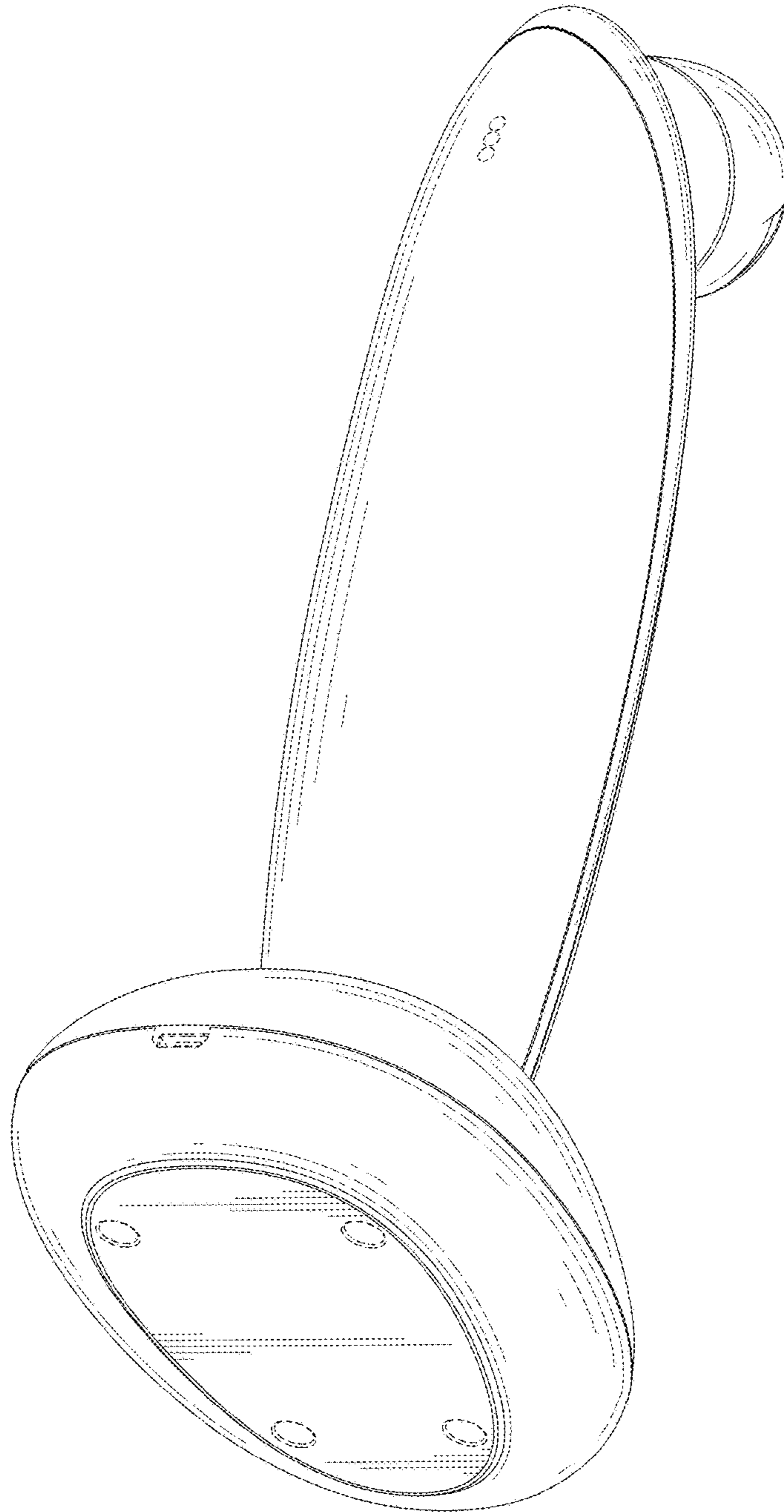


FIG. 18