



US00D860468S

(12) **United States Design Patent**
Ylitalo et al.

(10) **Patent No.:** **US D860,468 S**

(45) **Date of Patent:** **** Sep. 17, 2019**

(54) **MUSCLE TENSION THERAPEUTIC DEVICE**

7,146,220 B2 * 12/2006 Dar A61N 1/0452
607/48

(71) Applicant: **LVI-Urakointi Ylitalo Oy**, Oulu (FI)

D700,345 S * 2/2014 Park D24/200

D802,779 S * 11/2017 Inoue D24/200

(72) Inventors: **Harri Ylitalo**, Oulu (FI); **Eero Simuna**,
Oulu (FI)

D810,952 S * 2/2018 Hsu D24/200

* cited by examiner

(73) Assignee: **LVI-URAKOINTI YLITALO OY**,
Oulu (FI)

Primary Examiner — Wan Laymon

(74) *Attorney, Agent, or Firm* — Jacob Eisenberg

(**) Term: **15 Years**

(21) Appl. No.: **29/641,996**

(57) **CLAIM**

(22) Filed: **Mar. 27, 2018**

The ornamental design for a muscle tension therapeutic device, substantially as shown and described.

(30) **Foreign Application Priority Data**

Sep. 29, 2017 (EM) 004377703-0001

(51) **LOC (12) Cl.** **24-01**

(52) **U.S. Cl.**

USPC **D24/200**

(58) **Field of Classification Search**

USPC D24/200, 215, 168, 188, 184

CPC A61N 1/04; A61N 1/0404; A61N 1/0452;

A61N 1/36; A61N 1/36003; A61N

1/36014; A61N 1/36021; A61N 1/36057;

A61N 1/20; A61H 2201/0207; A61H

2205/00

See application file for complete search history.

DESCRIPTION

FIG. 1 is a side perspective view of a muscle tension therapeutic device in accordance with the present invention.

FIG. 2 is a top view thereof.

FIG. 3 is a bottom view thereof.

FIG. 4 is a left view thereof.

FIG. 5 is a right view thereof

FIG. 6 is a front view thereof; and,

FIG. 7 is a back view thereof.

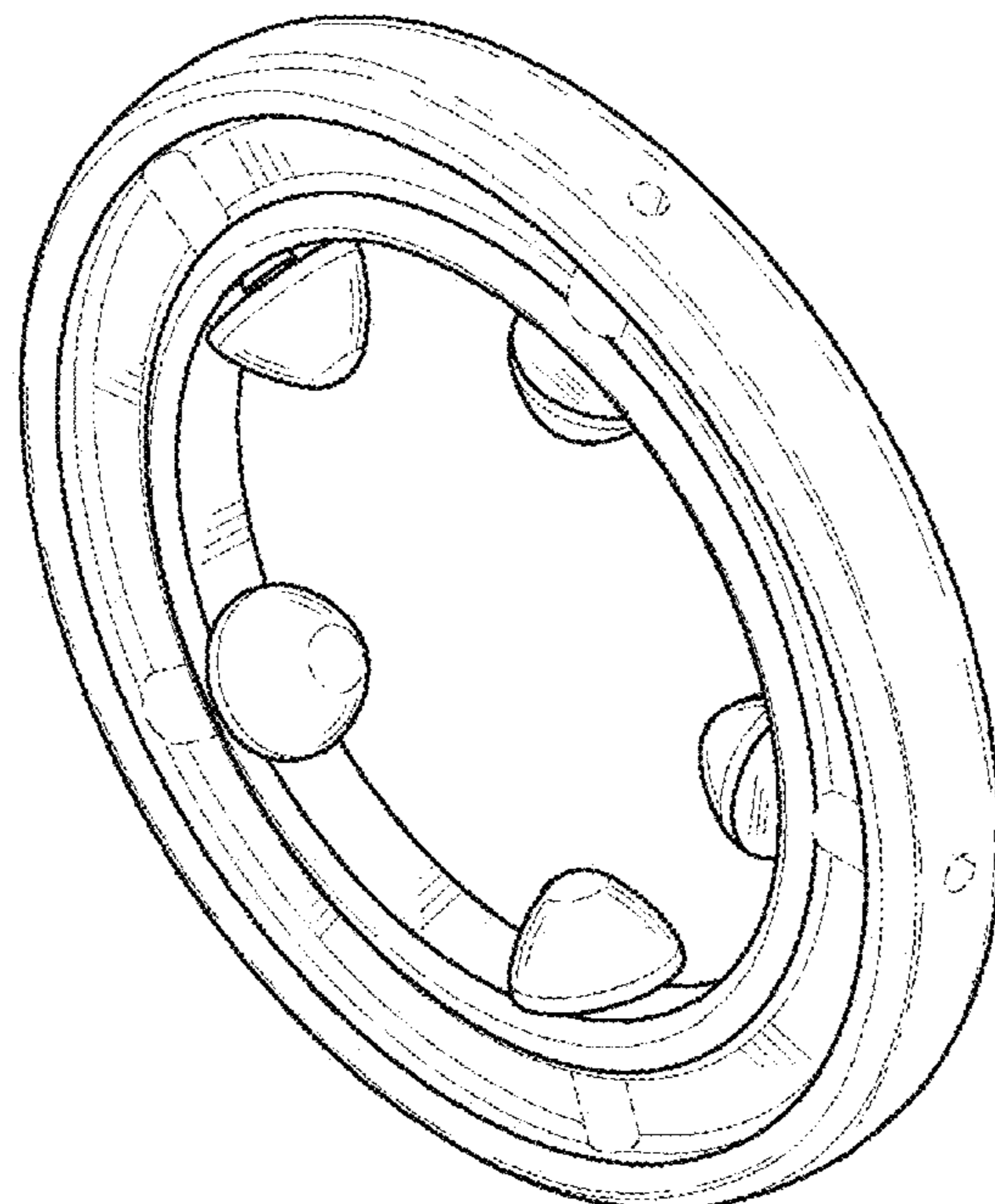
The broken lines in FIGS. 1-3 depicting 5 raised channels for the screws and the broken lines in FIGS. 4-7 depicting screw holes are for environmental purposes only and form no a part of the claimed design.

(56) **References Cited**

U.S. PATENT DOCUMENTS

D337,642 S * 7/1993 Yamasaki D24/200

1 Claim, 7 Drawing Sheets



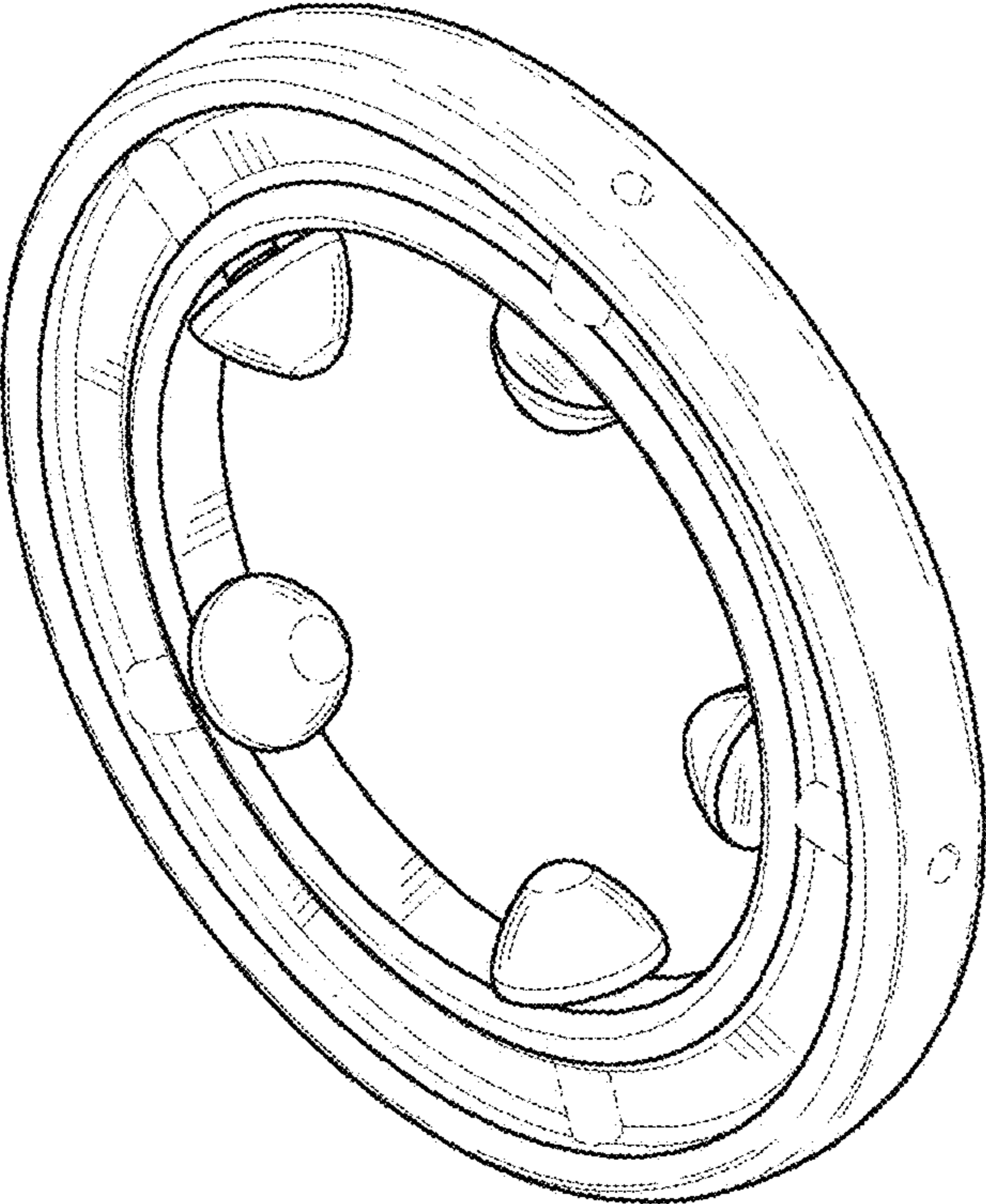


FIG. 1

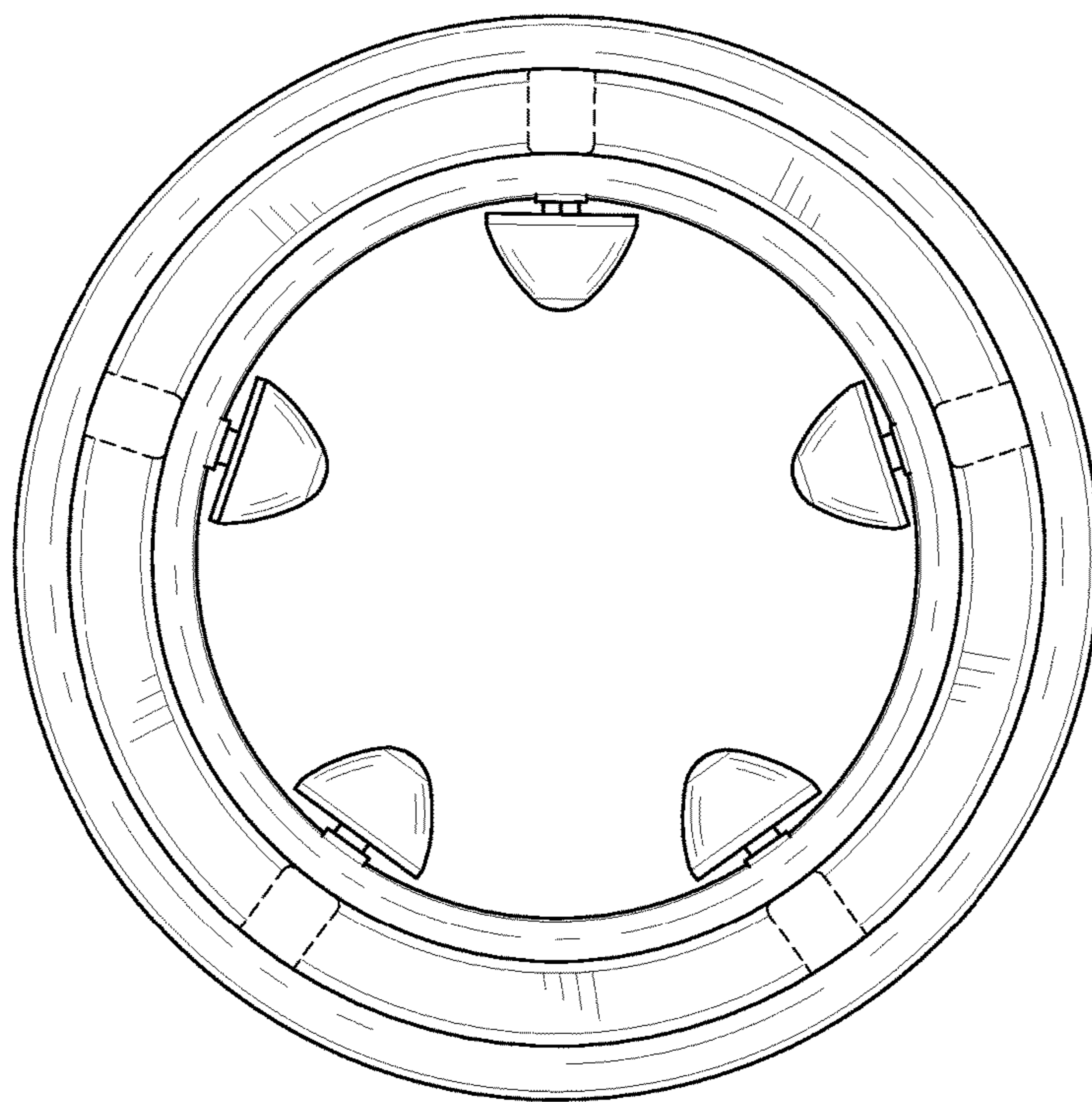


FIG. 2

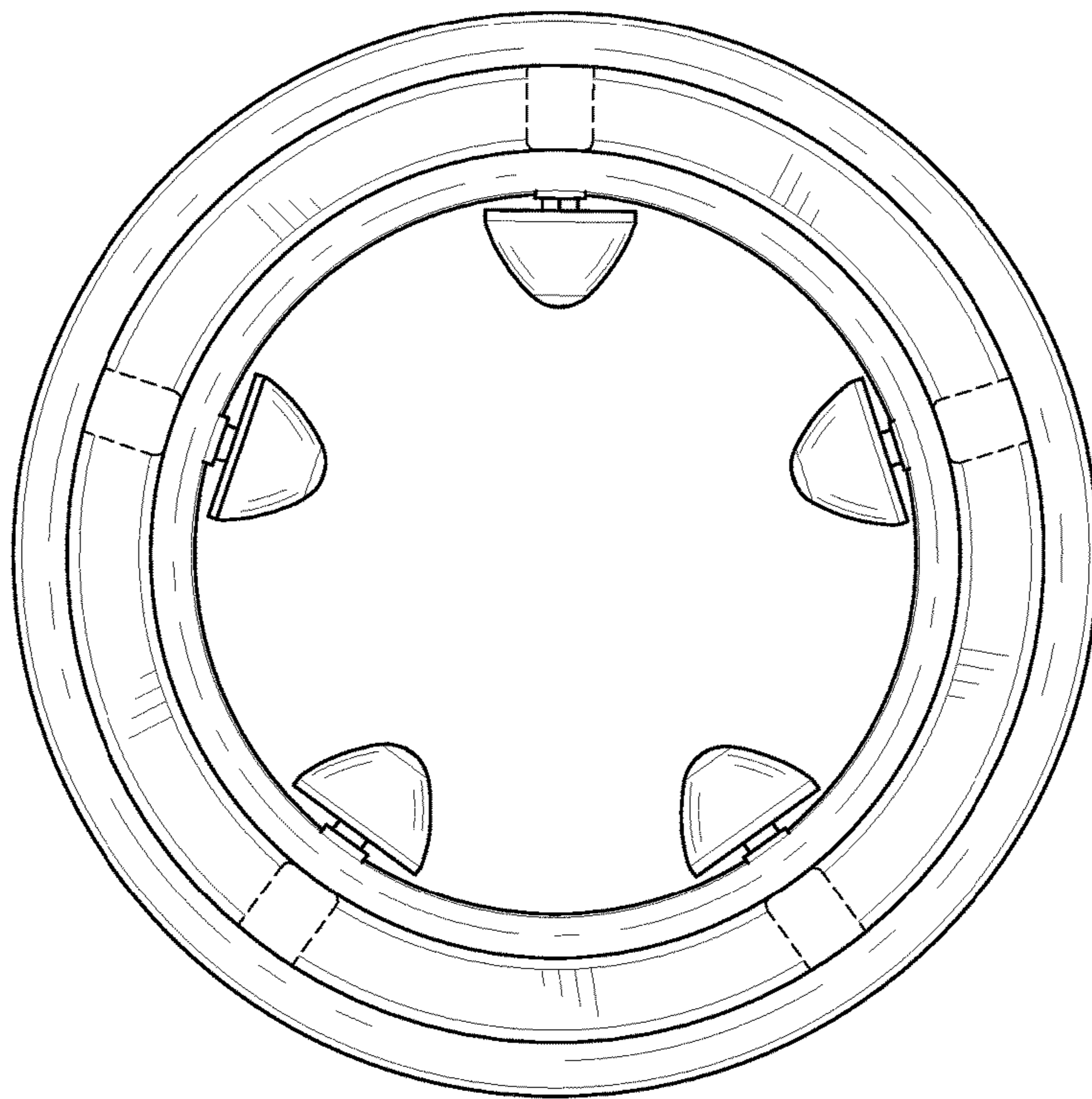


FIG. 3

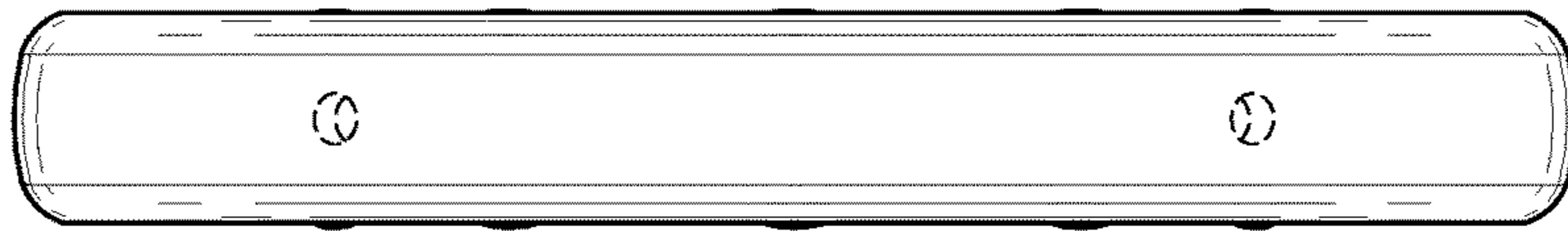


FIG. 4

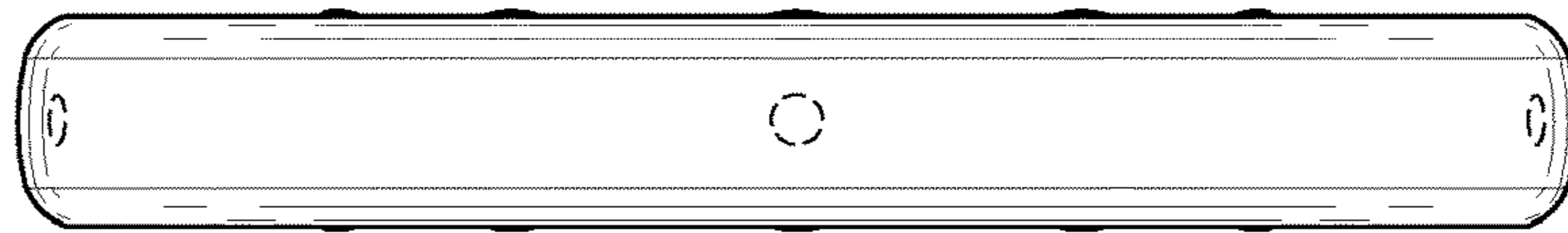


FIG. 5

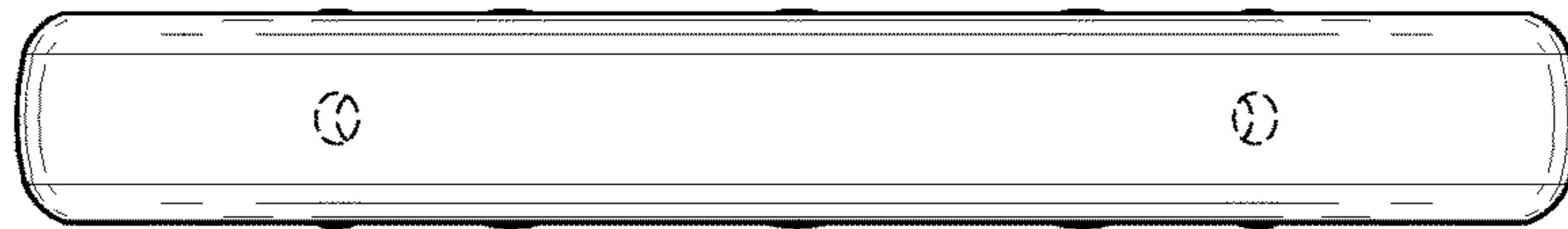


FIG. 6

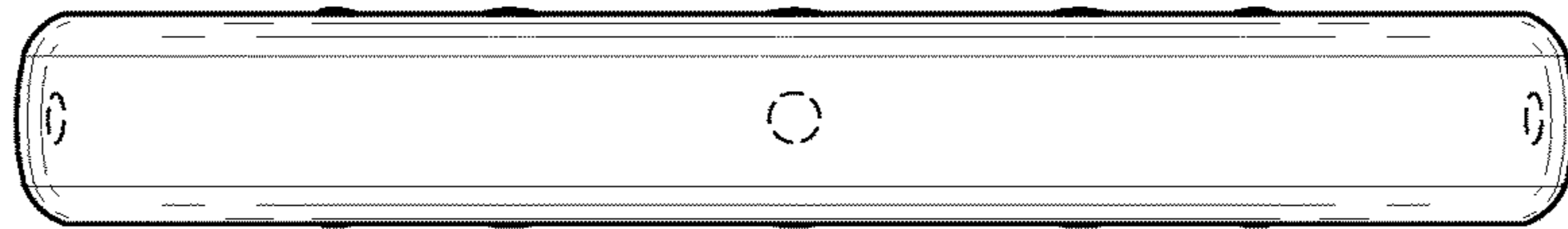


FIG. 7