

US00D860464S

(12) **United States Design Patent**
Caywood et al.

(10) **Patent No.:** **US D860,464 S**

(45) **Date of Patent:** **** Sep. 17, 2019**

(54) **FETAL CART**

(71) Applicant: **GCX Corporation**, Petaluma, CA (US)

(72) Inventors: **Ronald Jesse Caywood**, Rohnert Park, CA (US); **Cristian J. Daughjerg**, Novato, CA (US); **Carl Hermann Poppe**, Sebastopol, CA (US)

(73) Assignee: **GCX Corporation**, Petaluma, CA (US)

(**) Term: **15 Years**

(21) Appl. No.: **29/619,149**

(22) Filed: **Sep. 27, 2017**

(51) **LOC (12) Cl.** **24-02**

(52) **U.S. Cl.**

USPC **D24/185**

(58) **Field of Classification Search**

USPC D24/185, 128, 177; D10/81; 312/209;
211/74

CPC A61G 12/001; A61B 50/10; A47B 31/00;
B62B 3/005

See application file for complete search history.

(56) **References Cited**

U.S. PATENT DOCUMENTS

4,114,965	A *	9/1978	Oye	A47B 31/00 312/209
D263,995	S *	4/1982	Steele	D24/128
4,518,208	A *	5/1985	Marder	A61G 12/001 211/74
4,790,610	A *	12/1988	Welch	A61B 50/10 312/209

D304,075	S *	10/1989	Welch	D24/185
D336,707	S *	6/1993	Teufel	D24/185
D497,462	S *	10/2004	Ryan	D24/185
D515,767	S *	2/2006	Arceta	D24/185
D588,273	S *	3/2009	Sharpe	D24/185
D615,208	S *	5/2010	Keffeler	D24/185
D767,423	S *	9/2016	Choudhary	D10/81
D792,974	S *	7/2017	Roth	D24/185
D812,231	S *	3/2018	Duncan	D24/177
D819,216	S *	5/2018	Ohno	D24/185
9,981,677	B1 *	5/2018	Gross	B62B 3/005

* cited by examiner

Primary Examiner — Rhea Shields

(74) *Attorney, Agent, or Firm* — Michael A. Glenn;
Perkins Coie LLP

(57) **CLAIM**

The ornamental design for a fetal cart, as shown and described herein.

DESCRIPTION

FIG. 1 is a rear perspective view.

FIG. 2 is a front view.

FIG. 3 is a rear view.

FIG. 4 is a rear right side view.

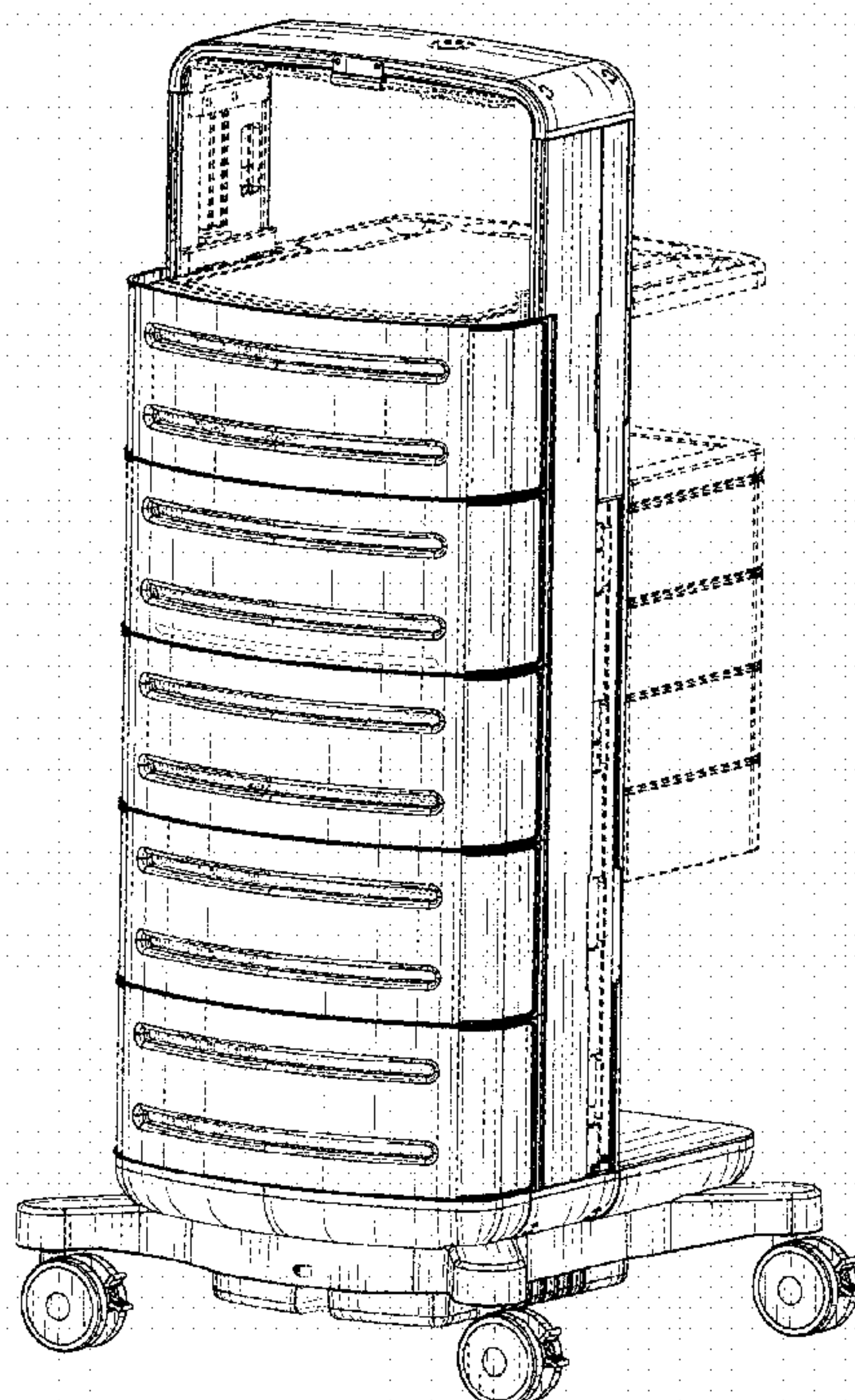
FIG. 5 is a rear left side view.

FIG. 6 is a top view; and,

FIG. 7 is a front perspective view.

In the drawings, the broken lines are for the purpose of illustrating environment only and form no part of the claimed design.

1 Claim, 7 Drawing Sheets



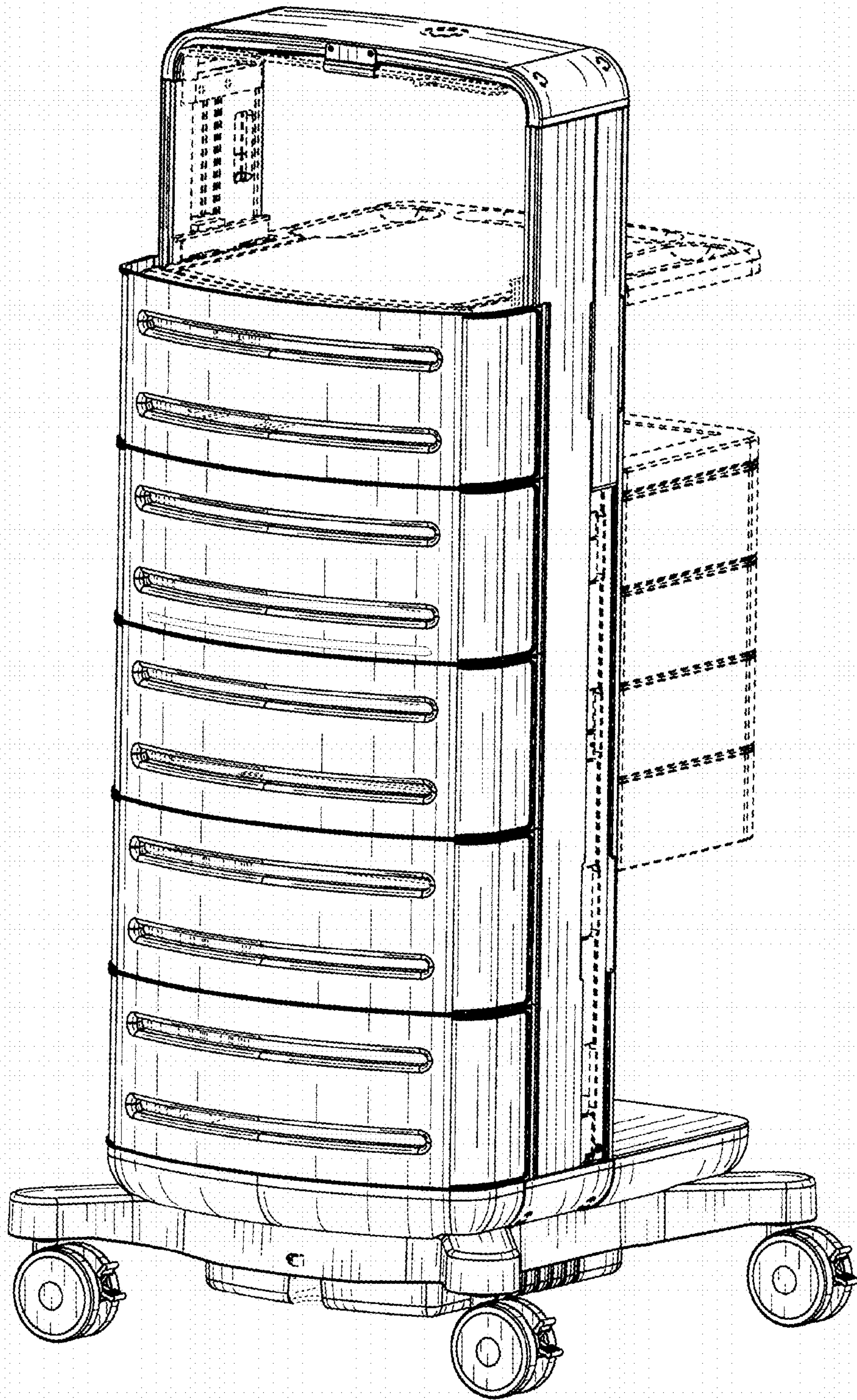


FIG. 1

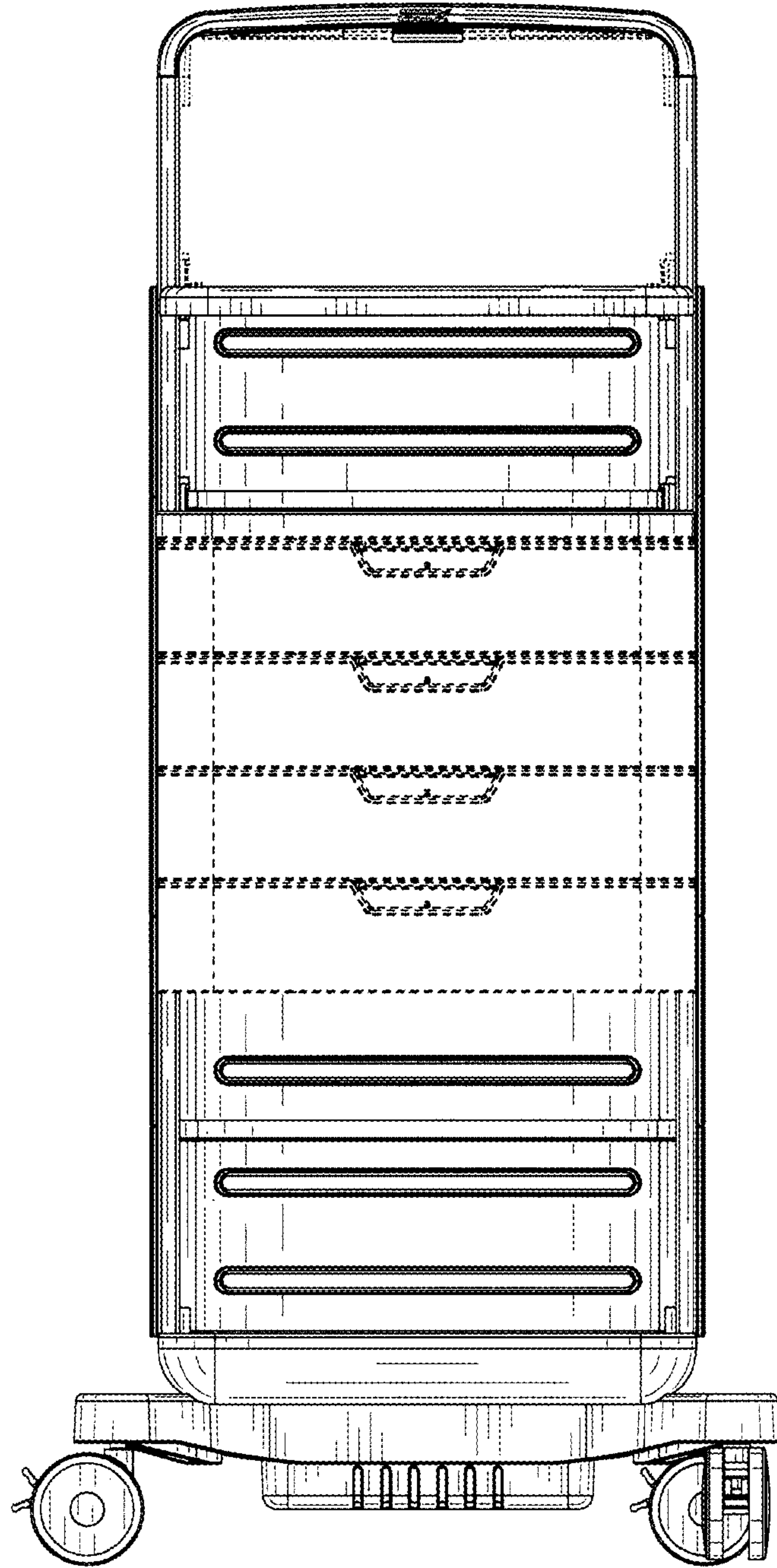


FIG. 2

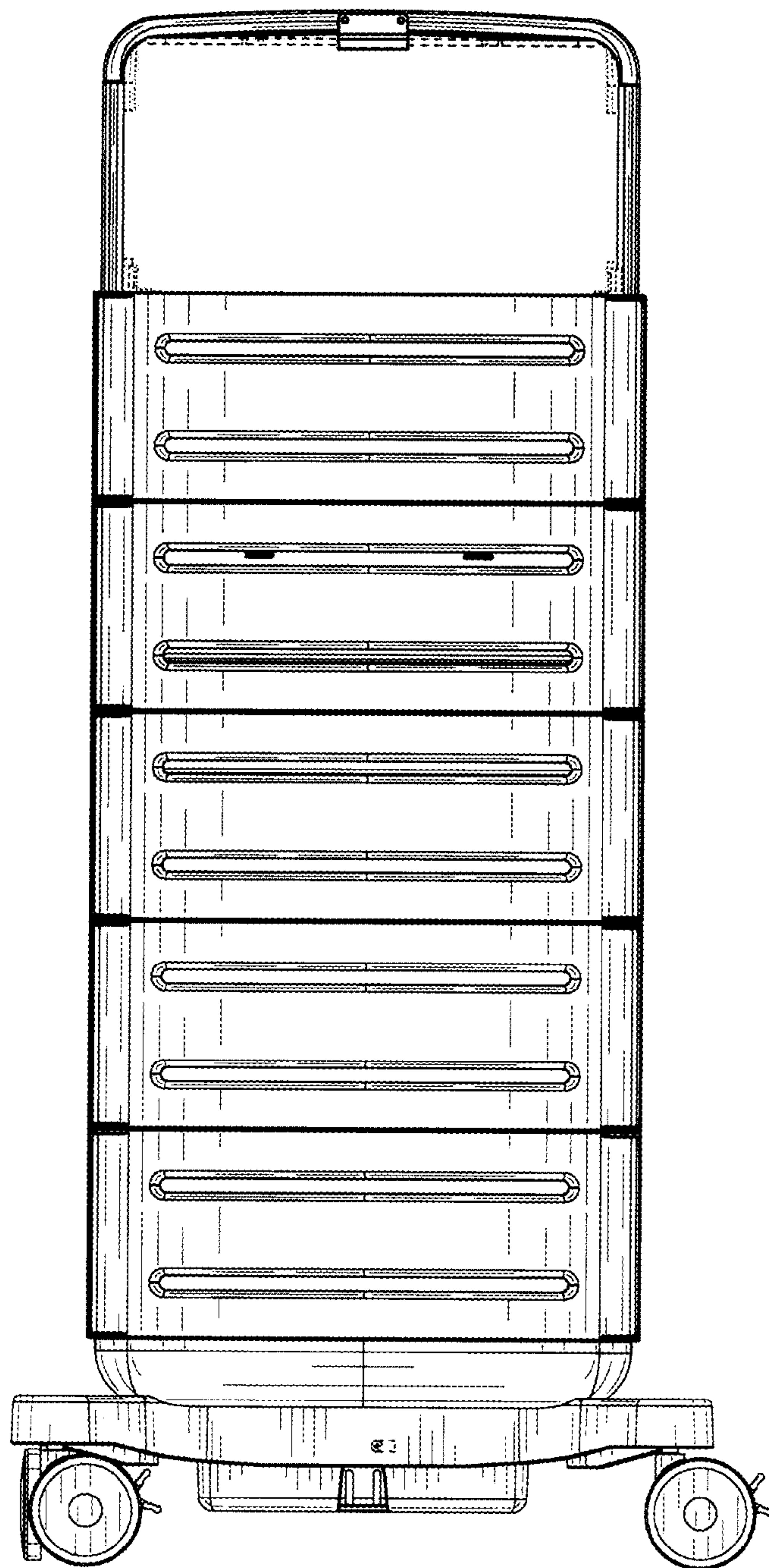


FIG. 3

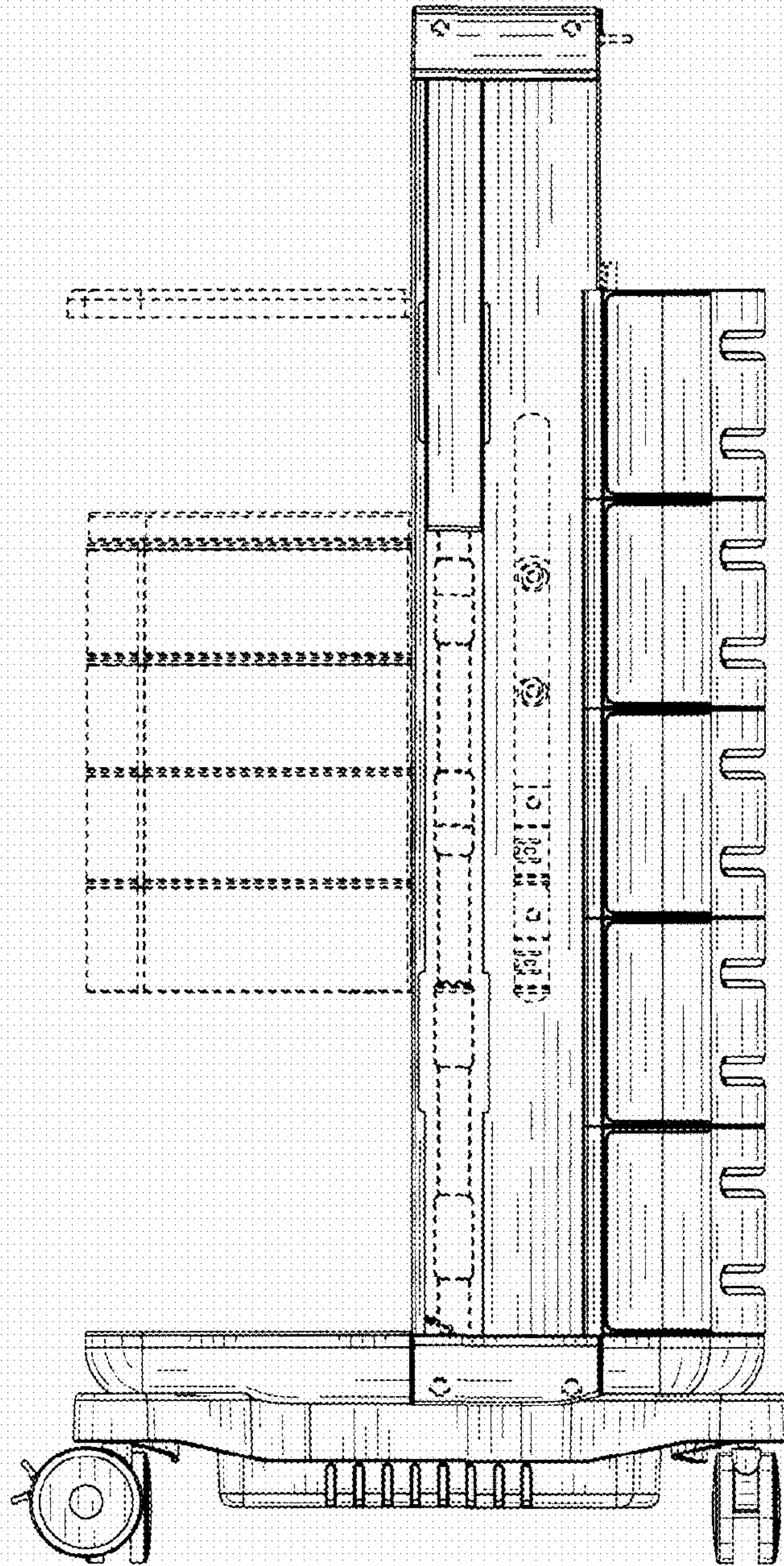
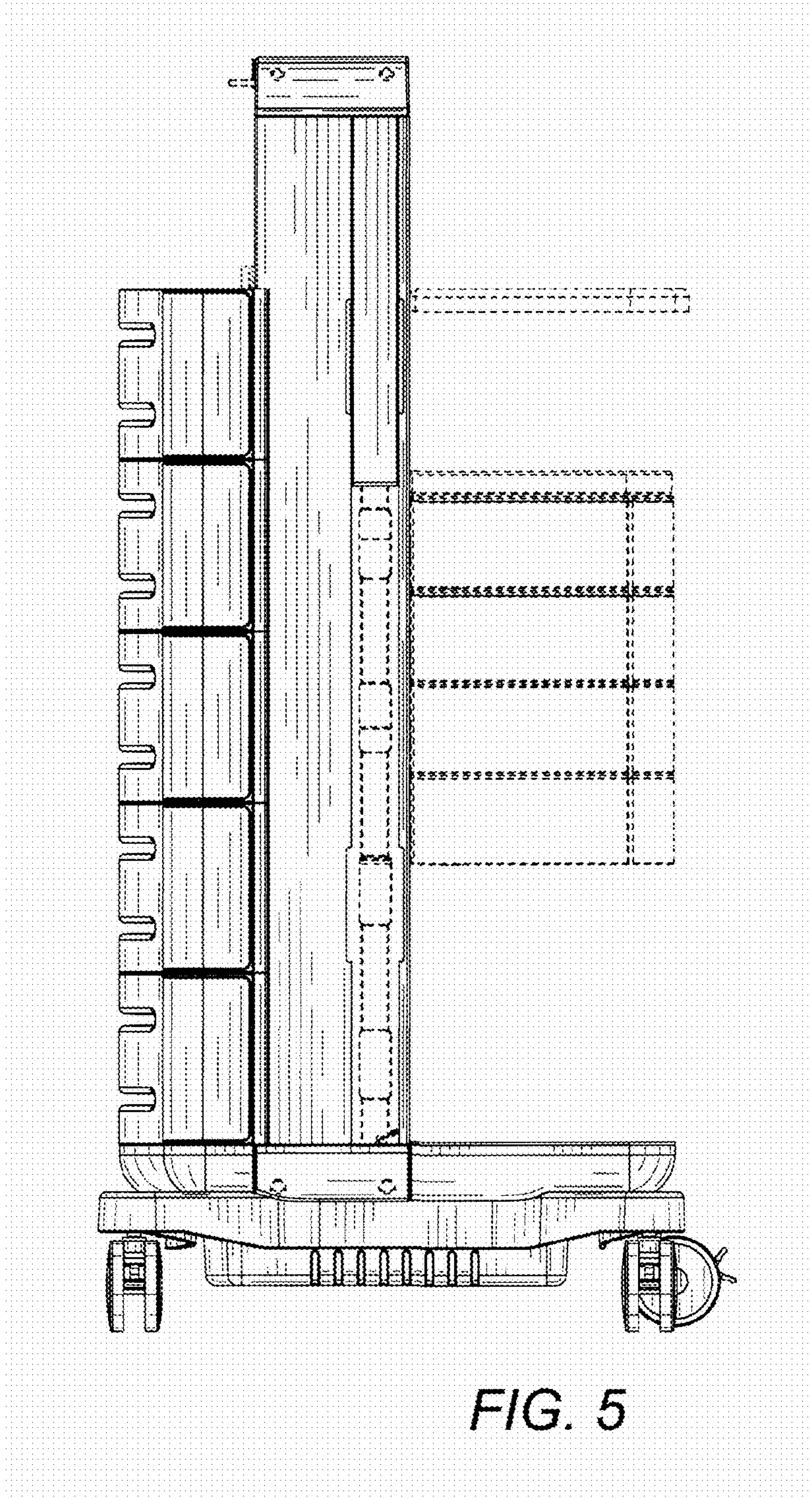


FIG. 4



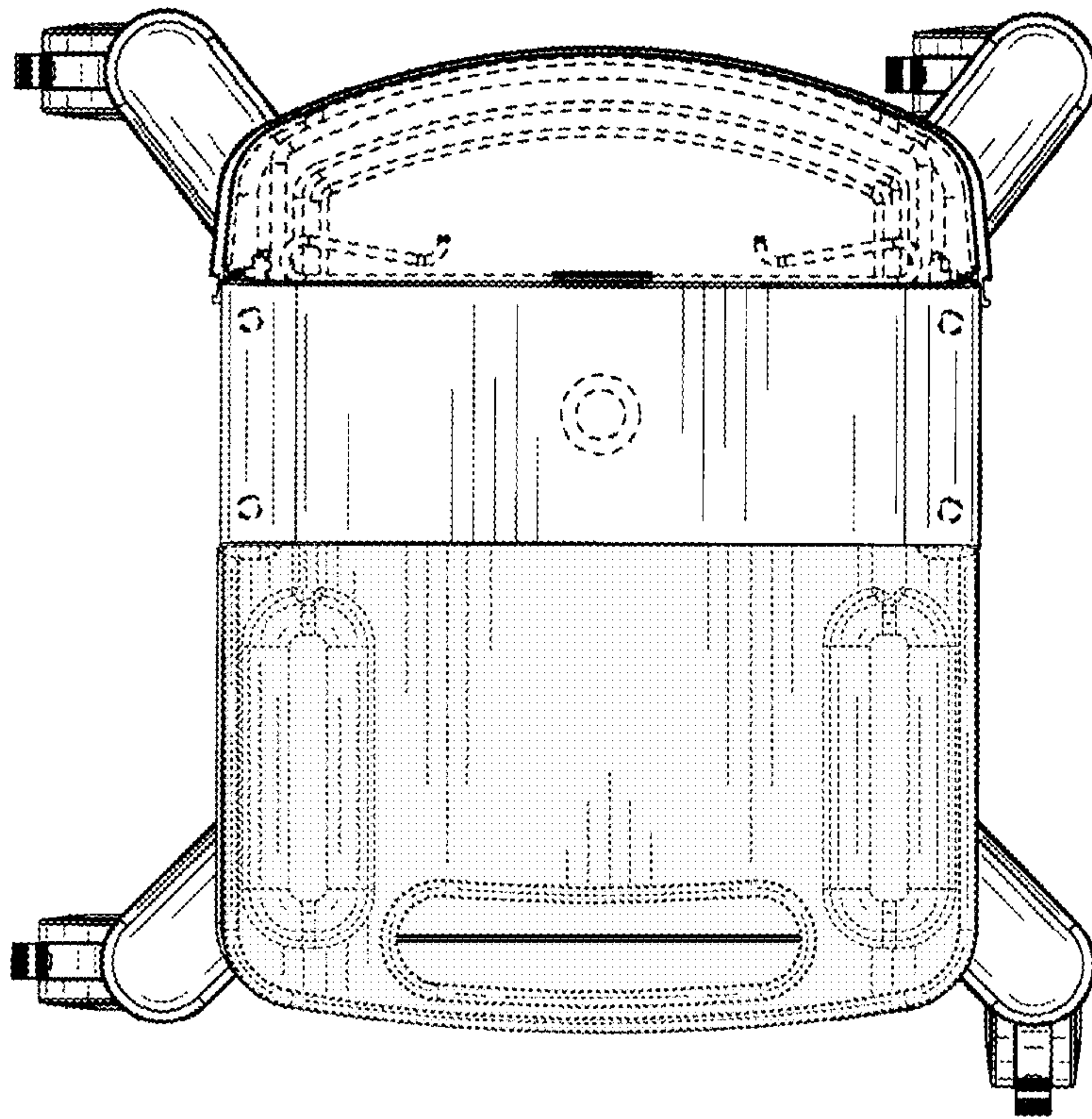


FIG. 6

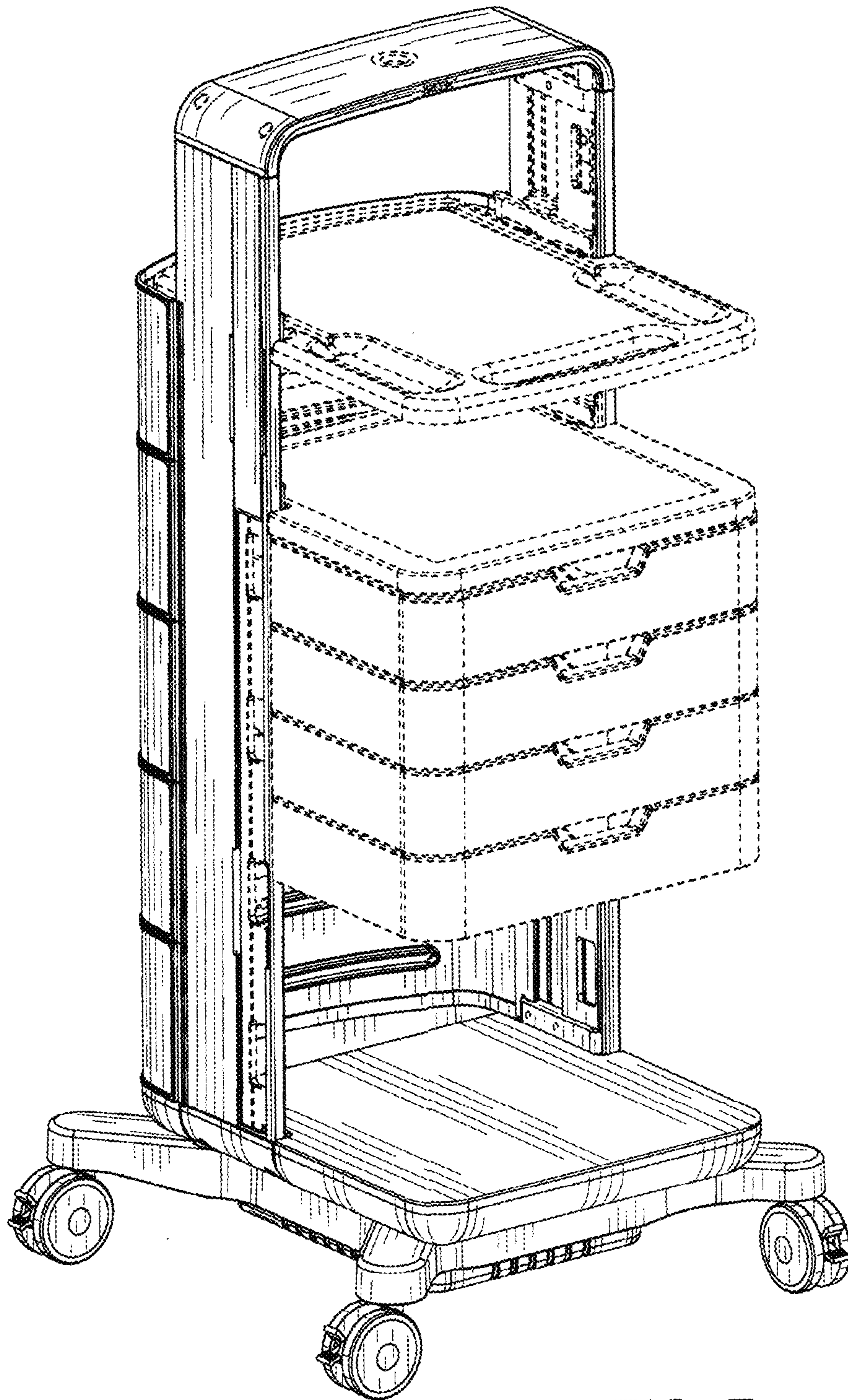


FIG. 7