



US00D860462S

(12) **United States Design Patent** (10) **Patent No.:** **US D860,462 S**
Webster et al. (45) **Date of Patent:** **** Sep. 17, 2019**

(54) **DENTAL MATRIX DEVICE**

9,517,110 B2 * 12/2016 McDonald A61C 5/85
9,687,970 B2 6/2017 Chen
D792,594 S * 7/2017 Nicholson D24/176
2011/0244421 A1 10/2011 Segal et al.

(71) Applicant: **ULTRADENT PRODUCTS, INC.**,
South Jordan, UT (US)

FOREIGN PATENT DOCUMENTS

(72) Inventors: **Thomas John Webster**, Riverton, UT
(US); **Bruce S McLean**, Sandy, UT
(US); **Wade Robert Michael Smith**,
Pleasant Grove, UT (US)

WO 2010061161 A1 6/2010

* cited by examiner

(73) Assignee: **ULTRADENT PRODUCTS, INC.**,
South Jordan, UT (US)

Primary Examiner — Wan Laymon

(74) *Attorney, Agent, or Firm* — Maschoff Brennan

(**) Term: **15 Years**

(57) **CLAIM**

(21) Appl. No.: **29/615,173**

The ornamental design for a dental matrix device, as shown and described.

(22) Filed: **Aug. 25, 2017**

(51) **LOC (12) Cl.** **24-02**

(52) **U.S. Cl.**

USPC **D24/181**

(58) **Field of Classification Search**

USPC D24/180–182, 152; 433/39, 139, 223

CPC A61C 5/85; A61C 5/88

See application file for complete search history.

DESCRIPTION

(56) **References Cited**

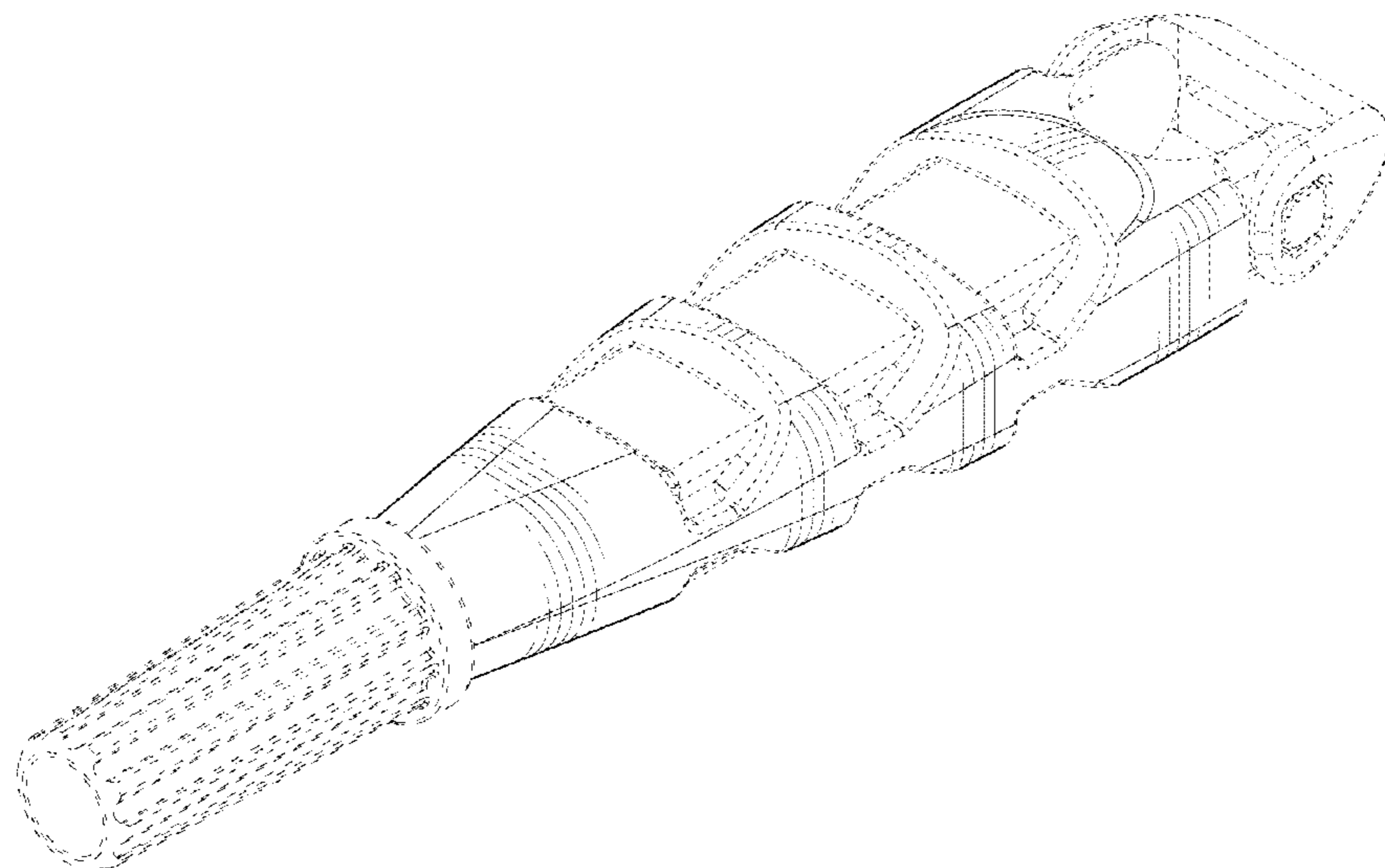
U.S. PATENT DOCUMENTS

348,628 A *	9/1886	Hewett	A61C 5/85
				433/39
2,286,021 A	6/1942	Stanford		
2,439,703 A	4/1948	Tofflemire		
5,055,045 A	10/1991	Dickie et al.		
5,342,197 A	8/1994	Stein et al.		
5,460,525 A	10/1995	Rashid		
6,074,210 A *	6/2000	Garrison	A61C 5/88
				433/149
6,234,793 B1	5/2001	Brattesani et al.		
6,589,053 B2 *	7/2003	Bills	A61C 5/85
				433/139
8,517,732 B2 *	8/2013	Segal	A61C 5/85
				433/155

FIG. 1 is an upper perspective view of a dental matrix device;
FIG. 2 is a lower perspective view of the dental matrix device of FIG. 1;
FIG. 3 is a rear view of the dental matrix device of FIG. 1;
FIG. 4 is a front view of the dental matrix device of FIG. 1;
FIG. 5 is a right side view of the dental matrix device of FIG. 1;
FIG. 6 is a left view of the dental matrix device of FIG. 1;
and,
FIG. 7 is a top view of the dental matrix device of FIG. 1, which is identical to a bottom view of the dental matrix device of FIG. 1.

The broken lines immediately adjacent the shaded areas present the bounds of the claimed design while all other broken lines are directed to environment and are for illustrative purposes only; the broken lines form no part of the claimed design.

1 Claim, 6 Drawing Sheets



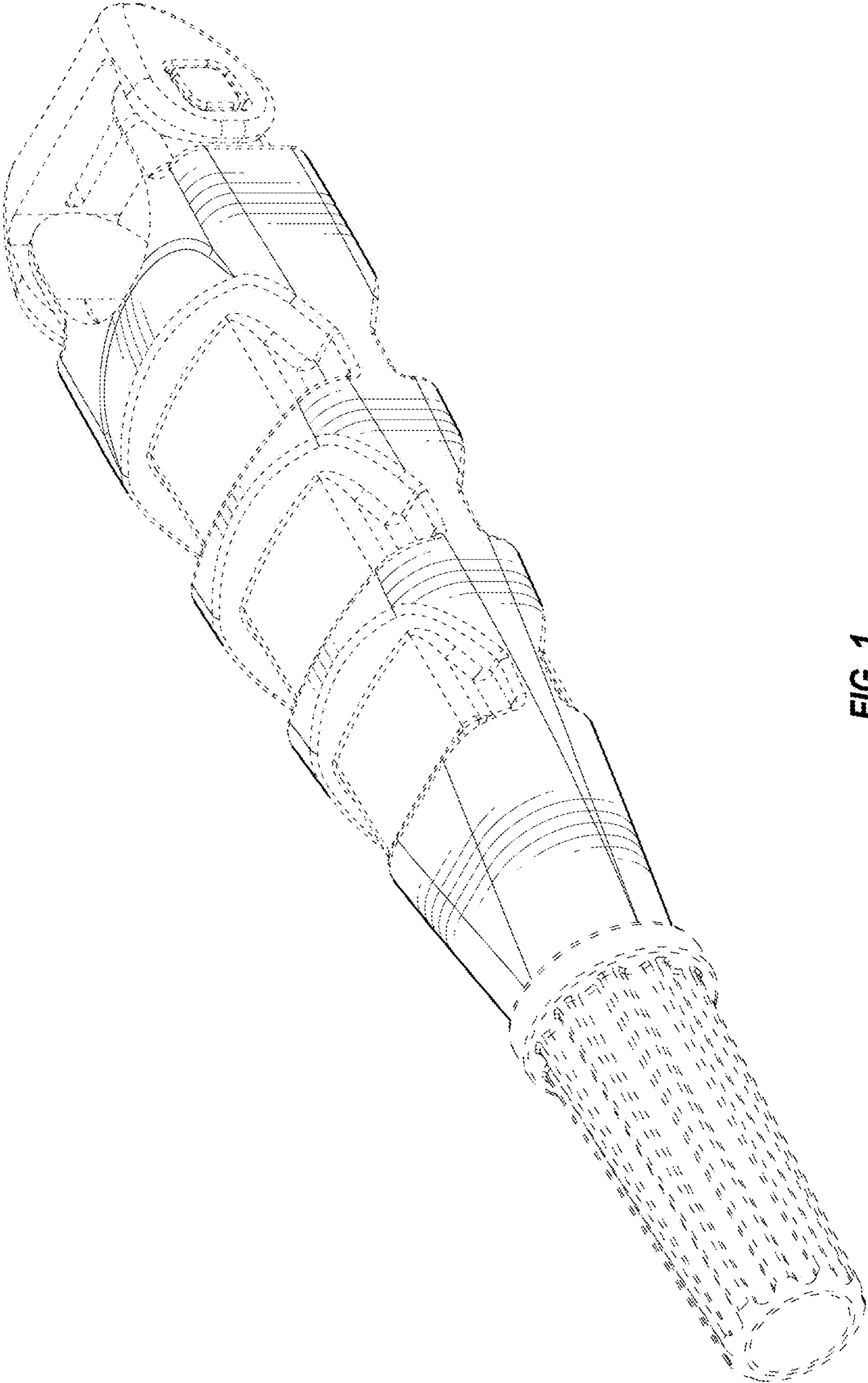


FIG. 1

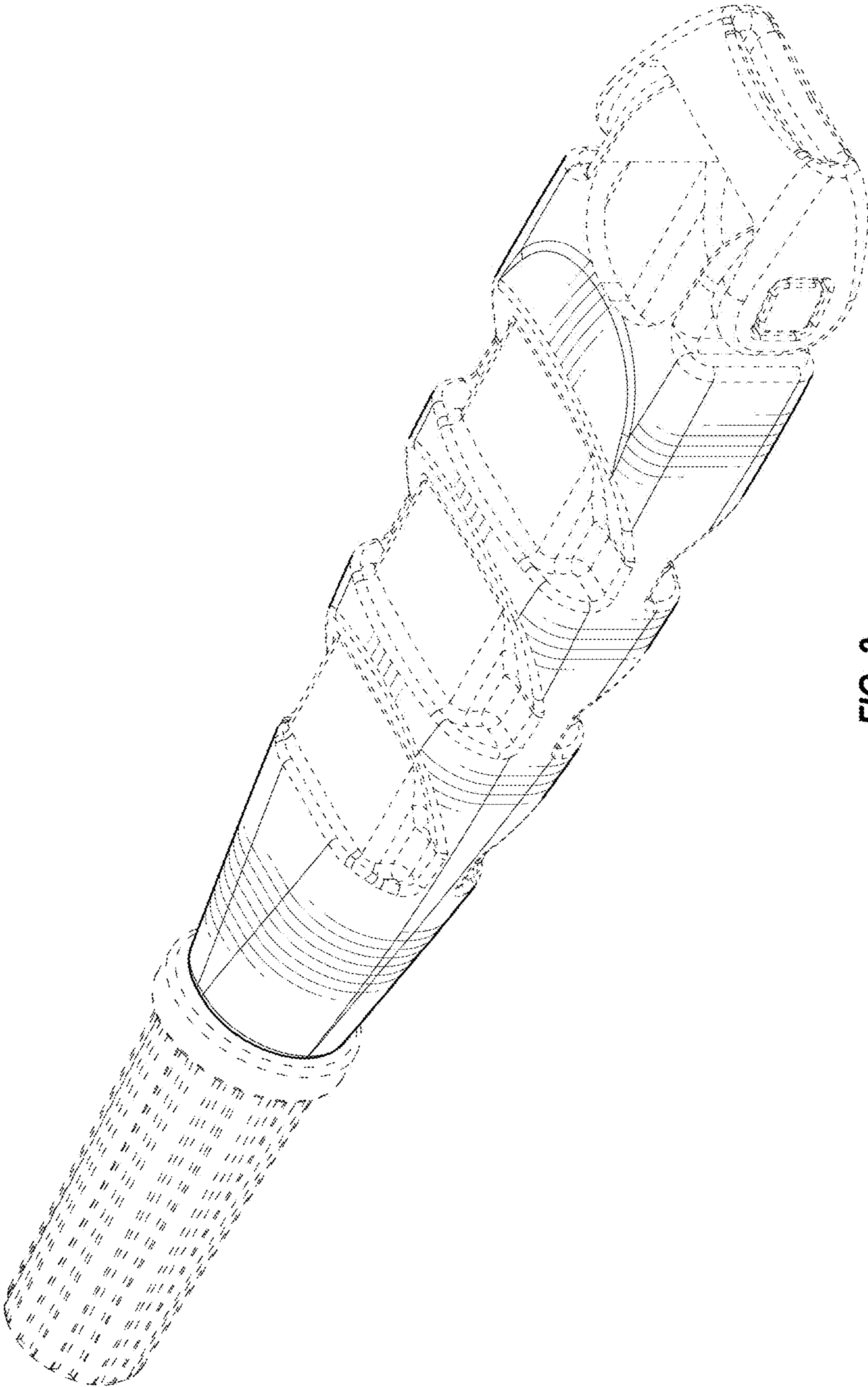


FIG. 2

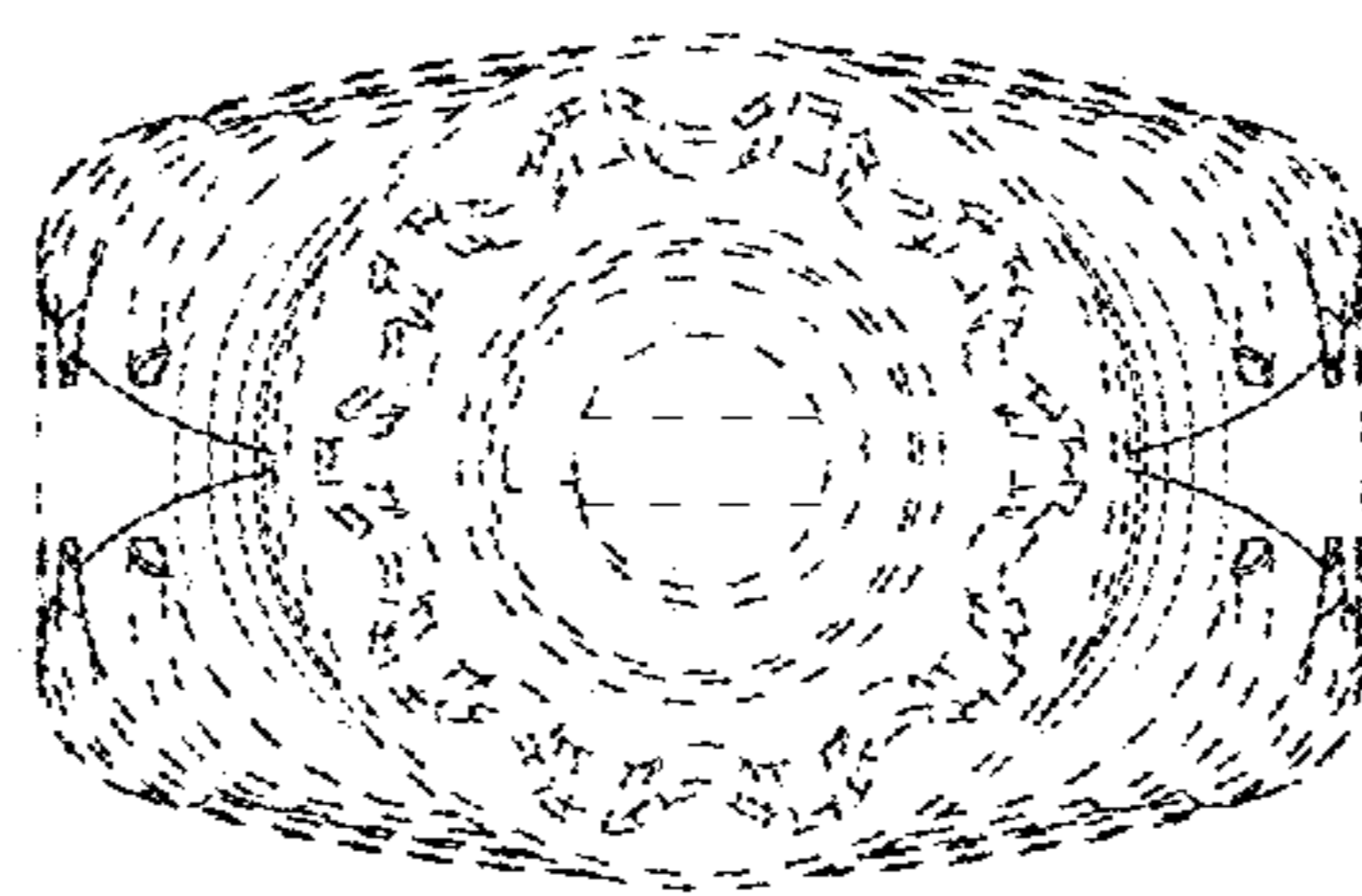


FIG. 3

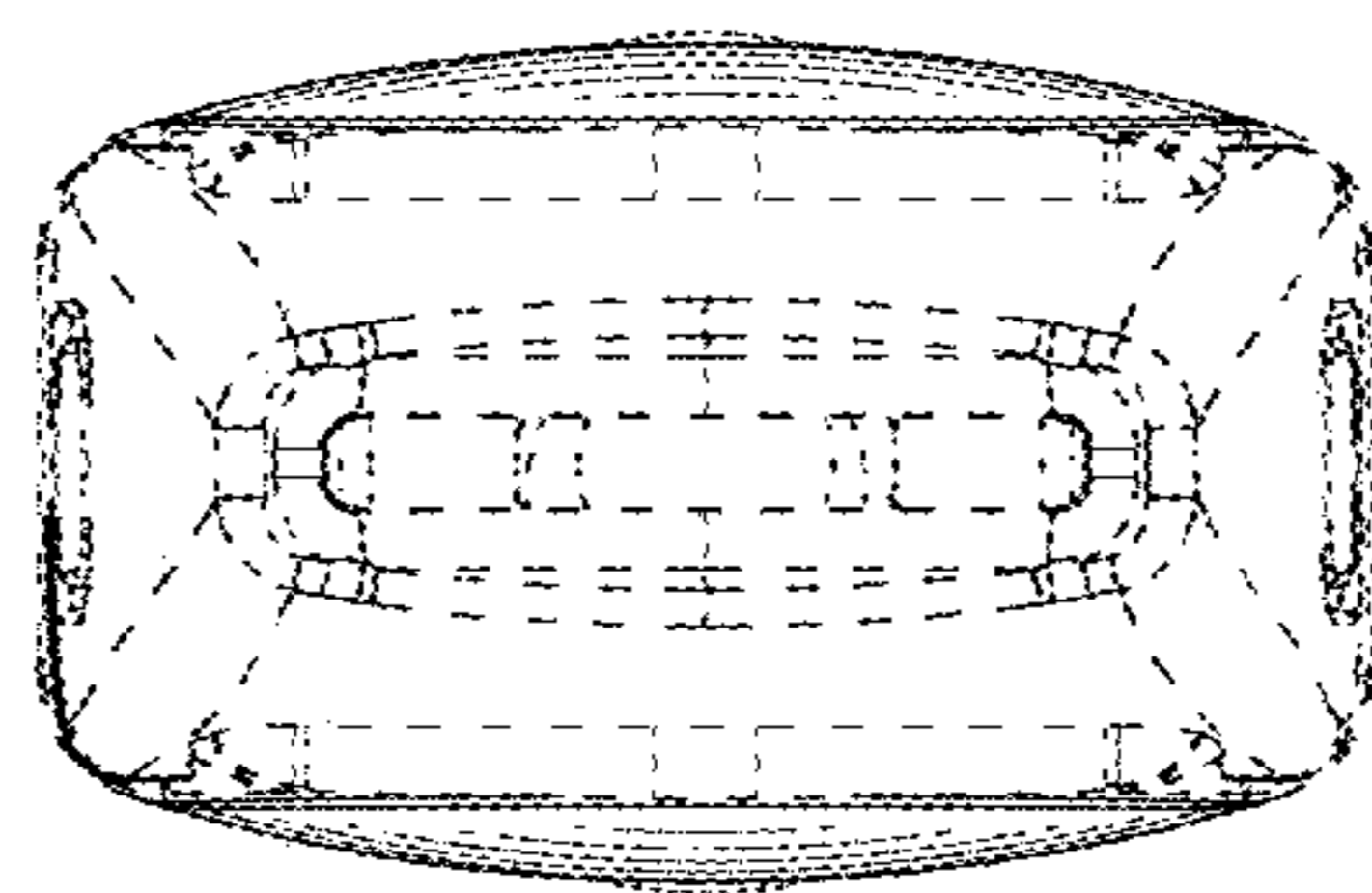


FIG. 4

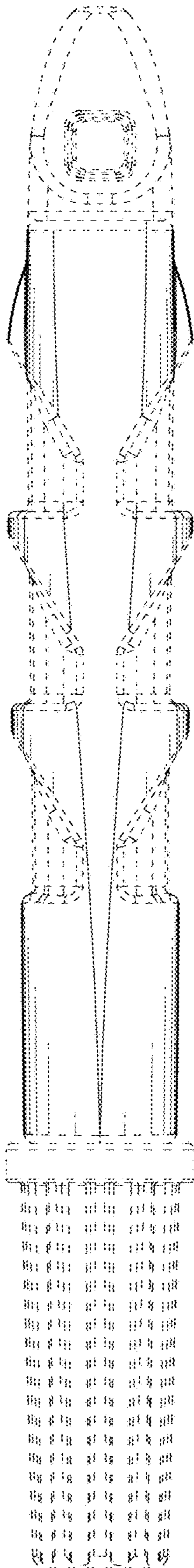


FIG. 5

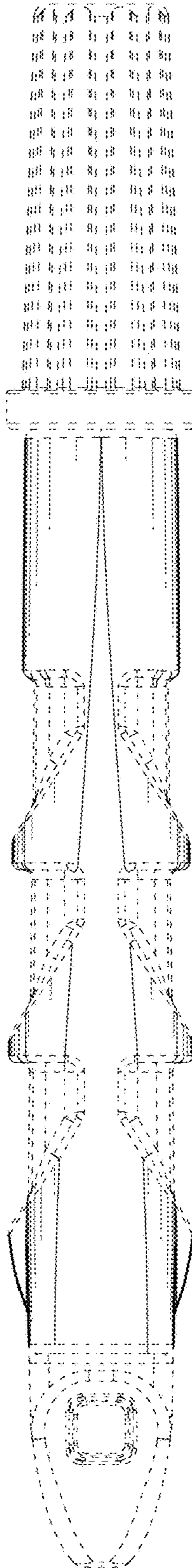


FIG. 6

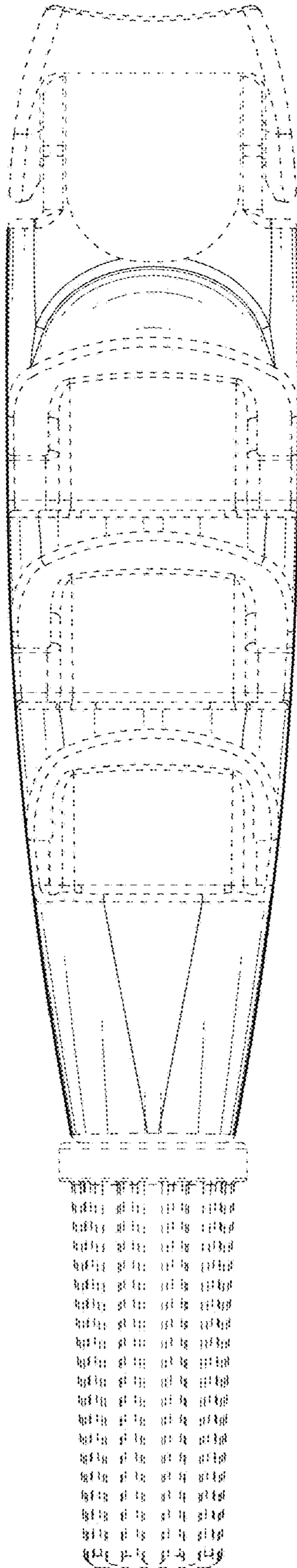


FIG. 7