



US00D860461S

(12) **United States Design Patent** (10) **Patent No.:** **US D860,461 S**
Lee (45) **Date of Patent:** **** Sep. 17, 2019**

(54) **SPHYGMOMETER**
(71) Applicant: **SKY LABS INC.**, Gyeonggi-Do (KR)
(72) Inventor: **Byung Hwan Lee**, Yongin-si (KR)
(**) Term: **15 Years**

D786,862 S * 5/2017 Park D14/344
D791,764 S * 7/2017 von Badinski D14/344
D791,765 S * 7/2017 von Badinski D14/344
D798,293 S * 9/2017 Park D14/344
D804,471 S * 12/2017 von Badinski D14/344
D810,734 S * 2/2018 Rochat D14/344
D810,735 S * 2/2018 Lee D14/344
D826,932 S * 8/2018 Chugh D14/344

* cited by examiner

(21) Appl. No.: **35/505,179**
(22) Filed: **Dec. 27, 2017**

Primary Examiner — Eliza Z Bennett-Hattan

(80) **Hague Agreement Data**
Int. Filing Date: **Dec. 27, 2017**
Int. Reg. No.: **DM/101194**
Int. Reg. Date: **Dec. 27, 2017**
Int. Reg. Pub. Date: **Jun. 29, 2018**

(57) **CLAIM**

The ornamental design for a sphygmometer, as shown and described.

(51) **LOC (12) Cl.** **24-02**
(52) **U.S. Cl.**
USPC **D24/165**
(58) **Field of Classification Search**
USPC D24/165, 166, 167, 168; D10/70;
D14/344
CPC . A61B 5/02233; A61B 5/022; A61B 5/02225;
A61B 5/0225; A61B 5/02141
See application file for complete search history.

DESCRIPTION

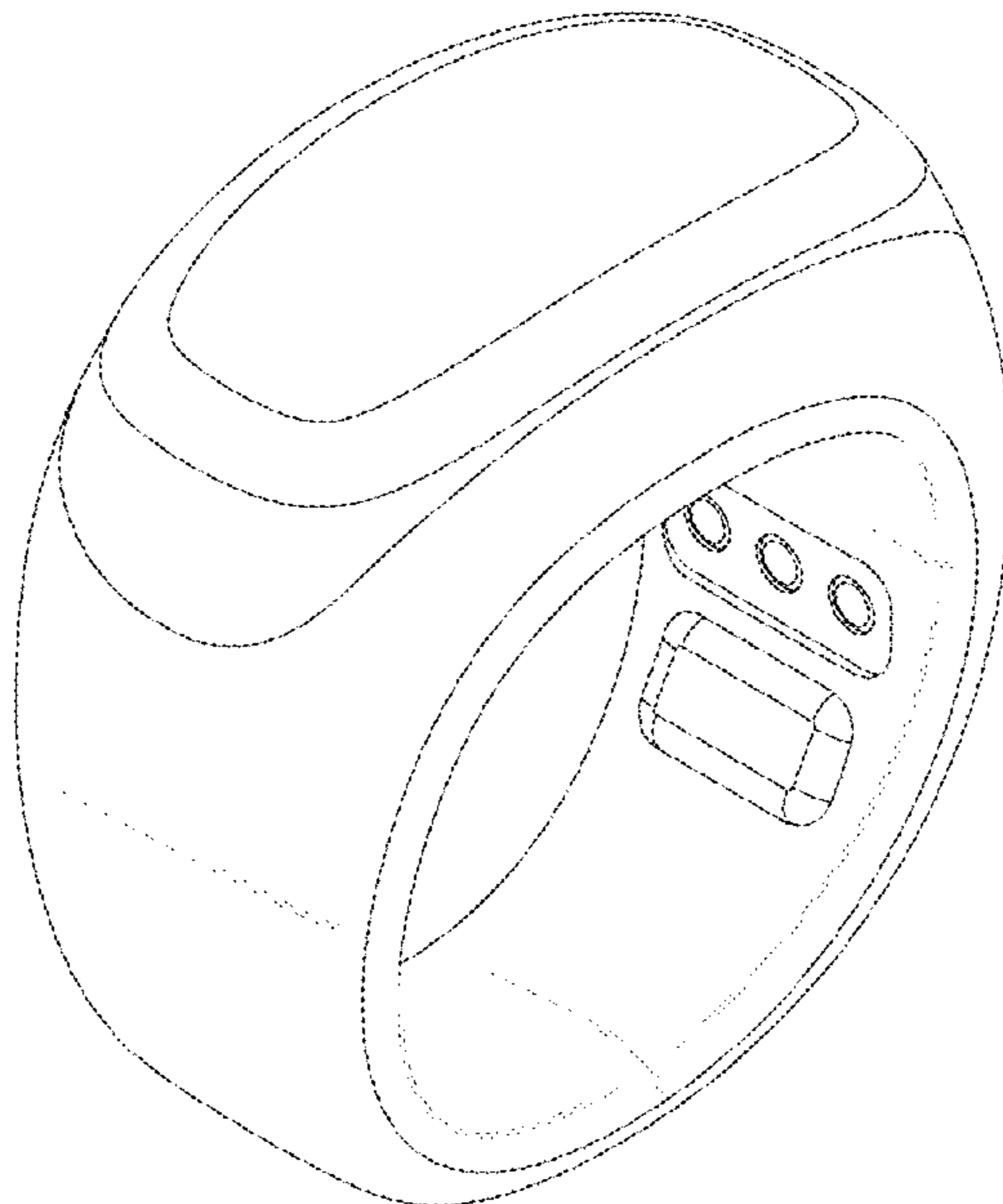
- 1. Sphygmometer
- 1.1 : Perspective
- 1.2 : Front
- 1.3 : Back
- 1.4 : Left
- 1.5 : Right
- 1.6 : Top
- 1.7 : Bottom
- 1.8 : Other sight of perspective

The design is related to the pulse measuring instrument which can measure the pulse of the human body; it can be worn on the finger and it can be carried and the measured pulse data can be accumulated for a certain period of time; this design measures the pulse signal delivered from your finger after it is worn on your finger, so you can check the measurement result or send it to an external device; this design is powered by a battery inside the sphygmometer, so it can operate without any external power source.

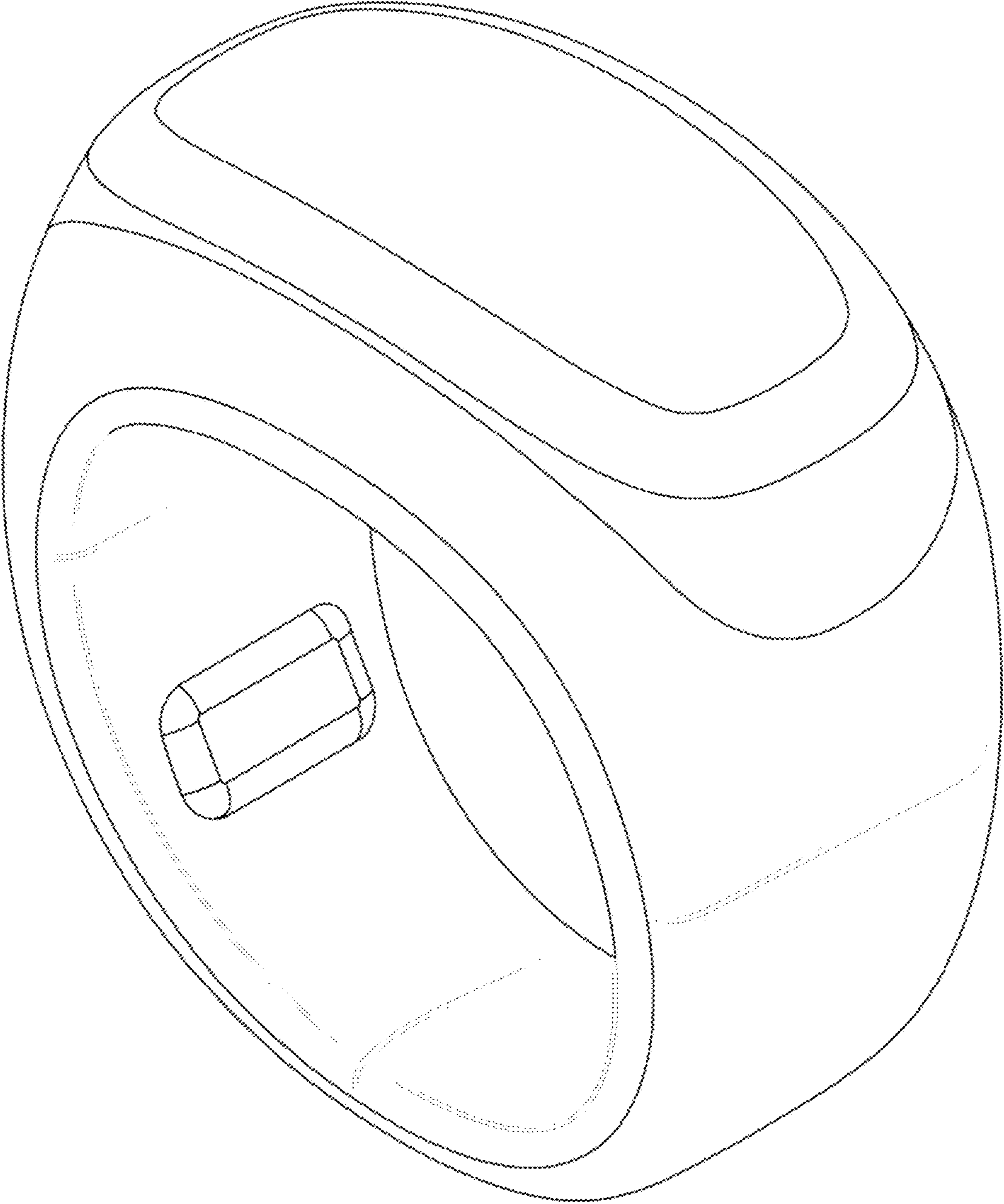
(56) **References Cited**
U.S. PATENT DOCUMENTS

D714,179 S * 9/2014 Park D11/3
D734,329 S * 7/2015 Lee D14/344
D772,871 S * 11/2016 Park D14/138 R
D777,924 S * 1/2017 Ogihara D24/165
D779,358 S * 2/2017 Lin D11/4

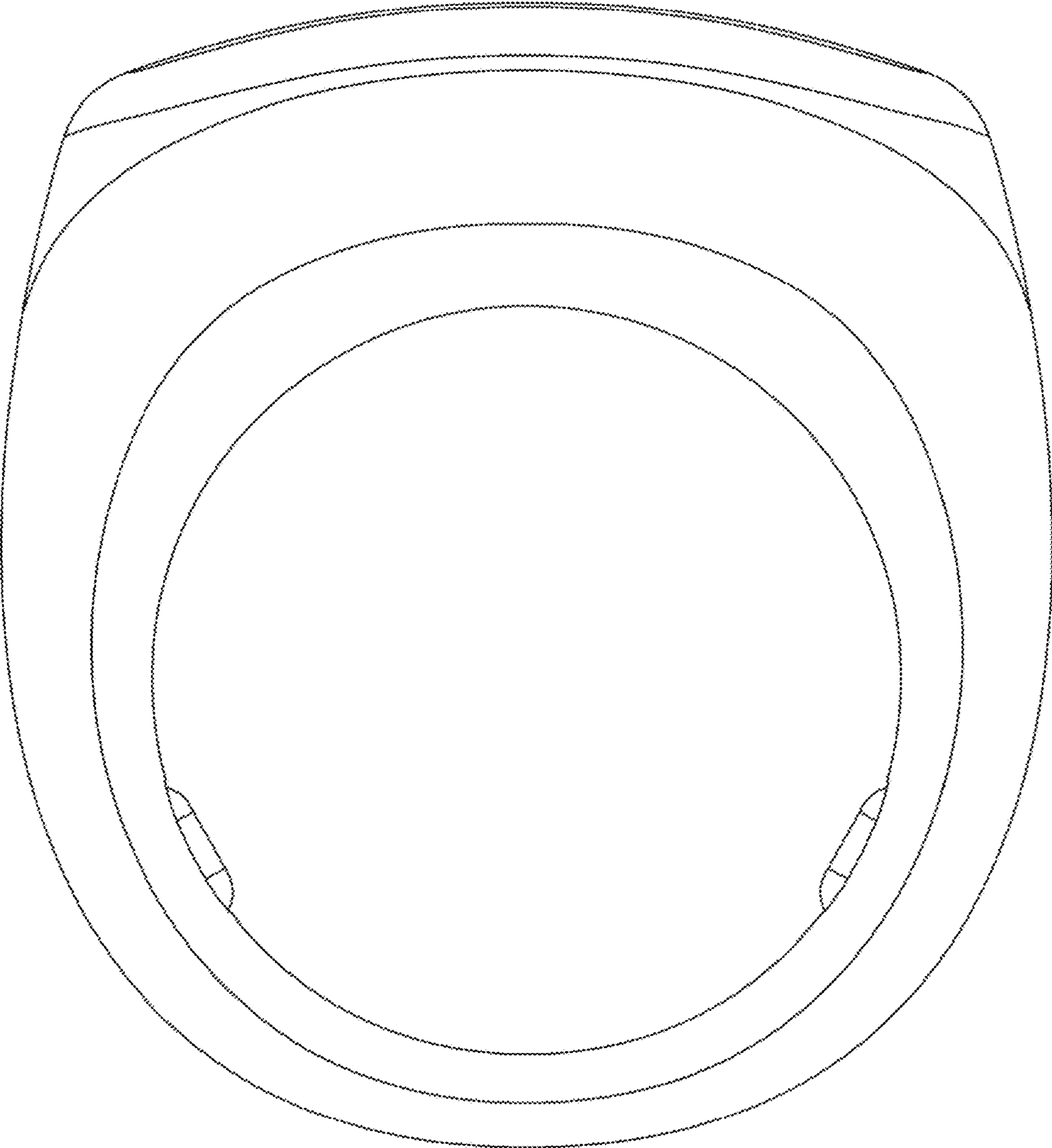
1 Claim, 8 Drawing Sheets



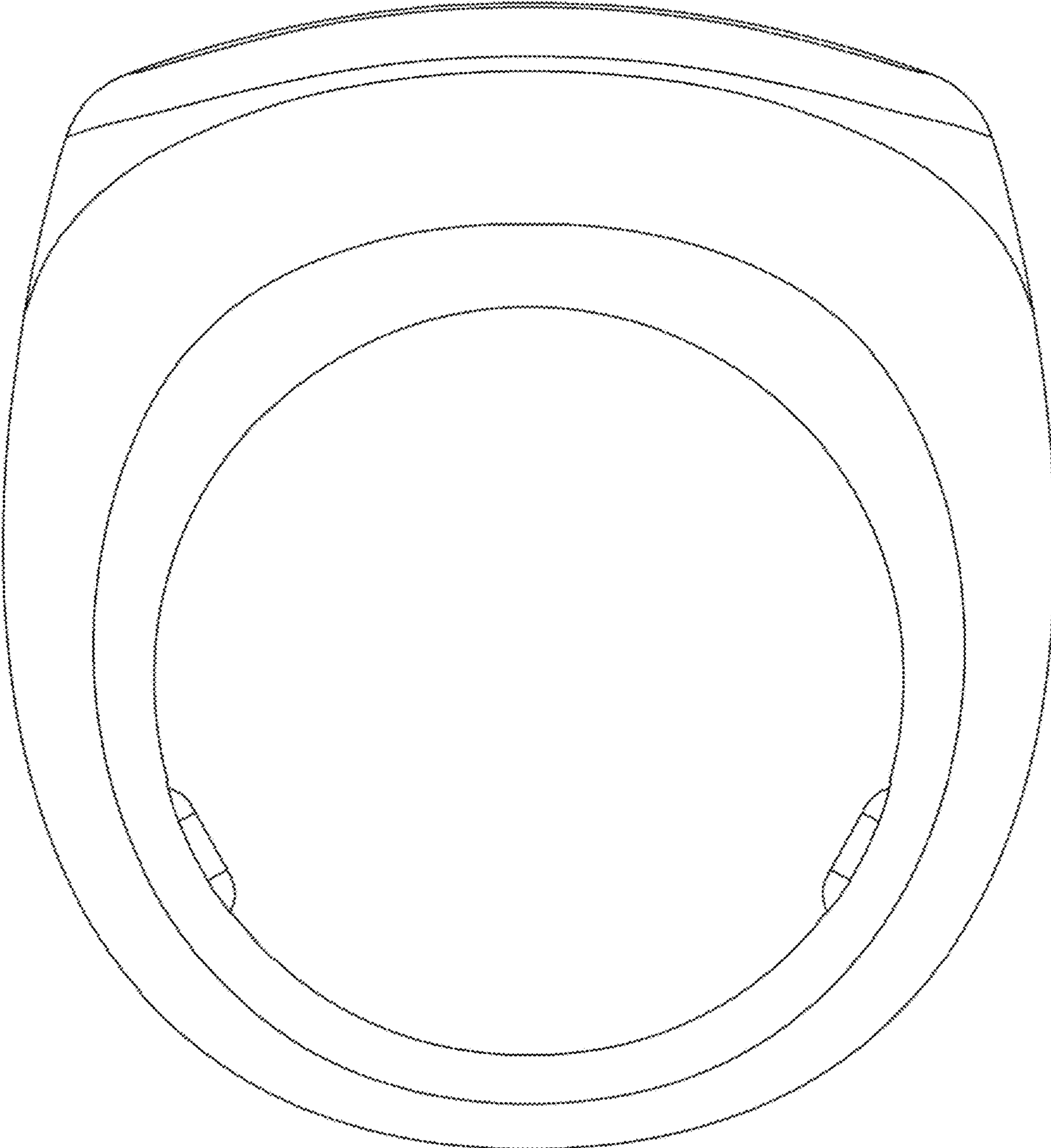
1.1



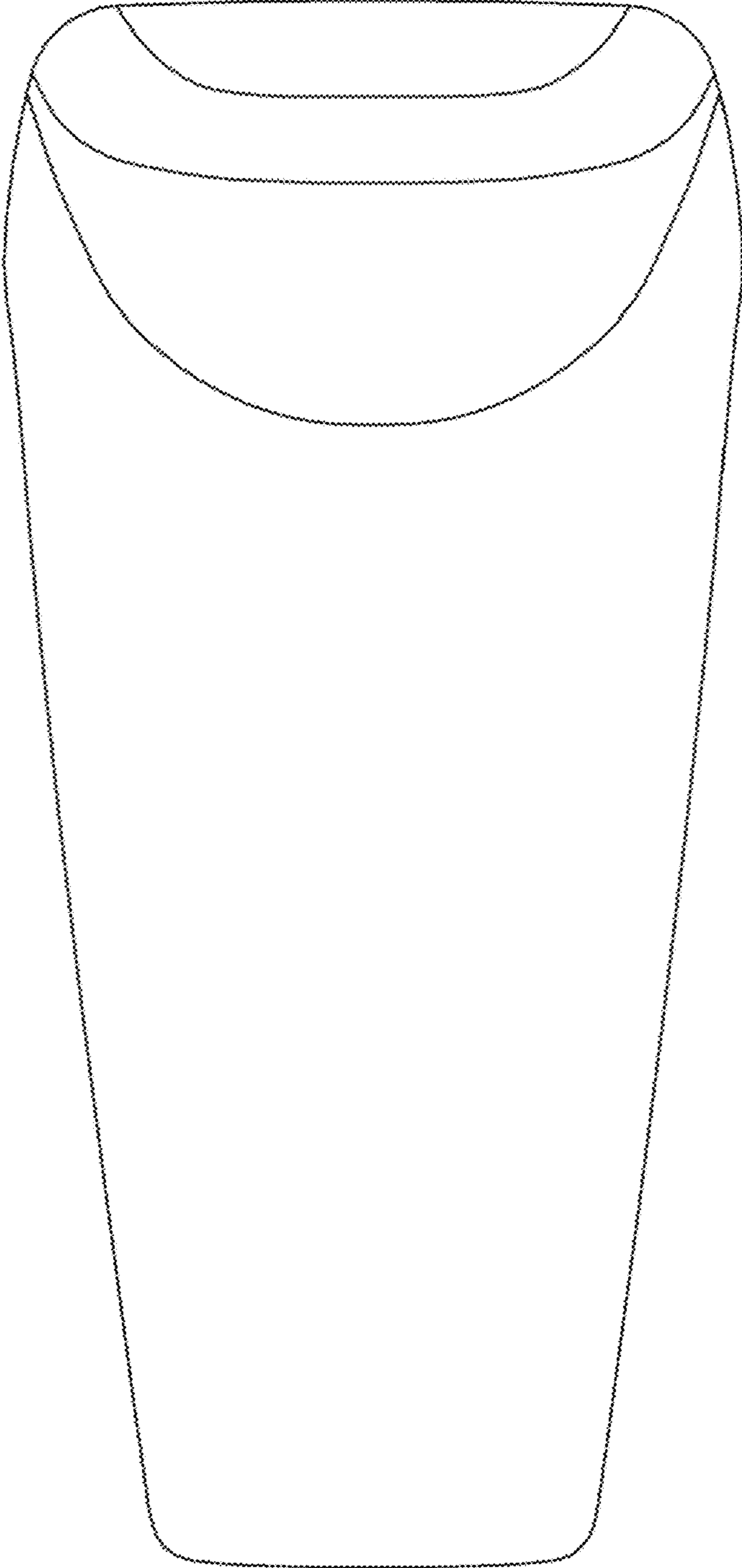
1.2



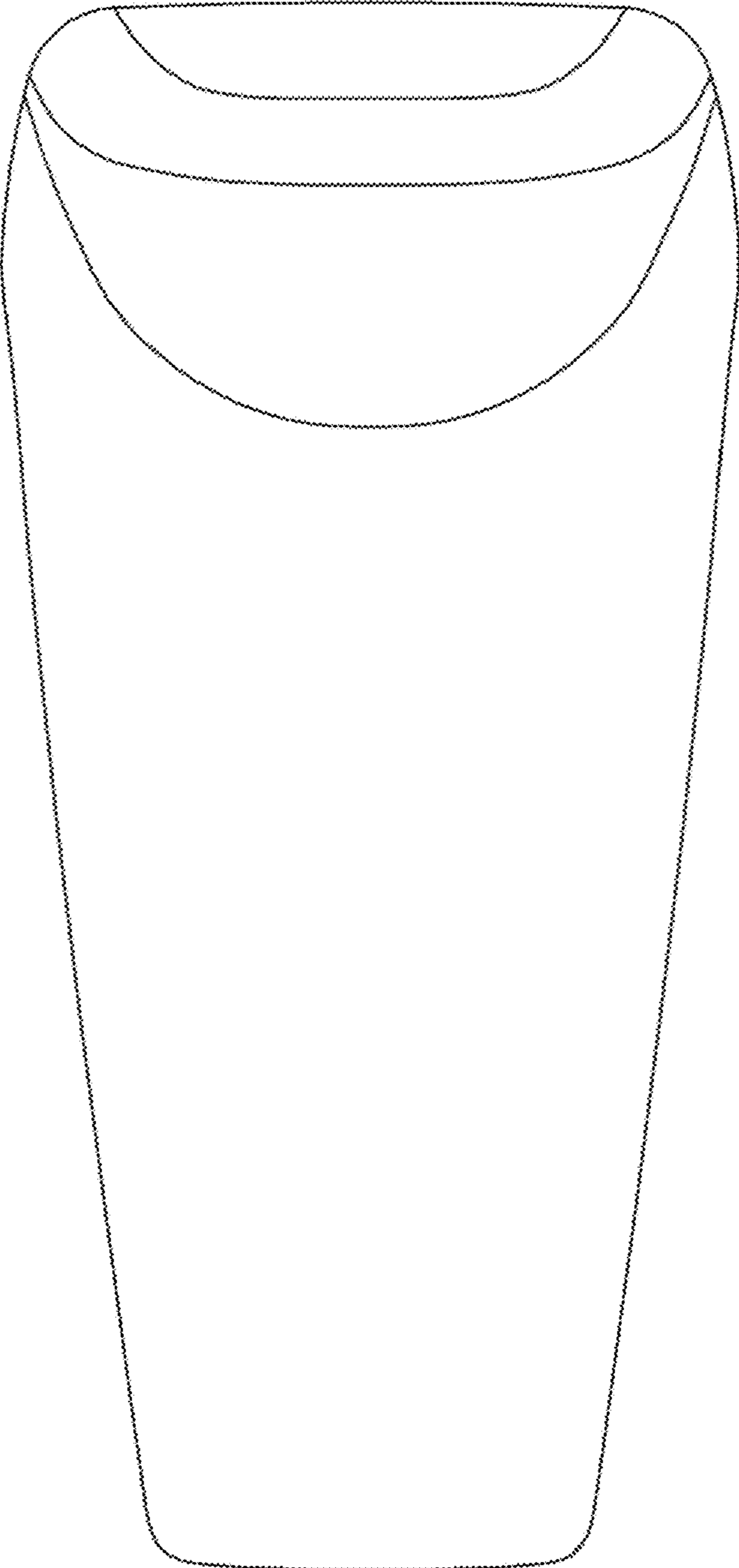
1.3



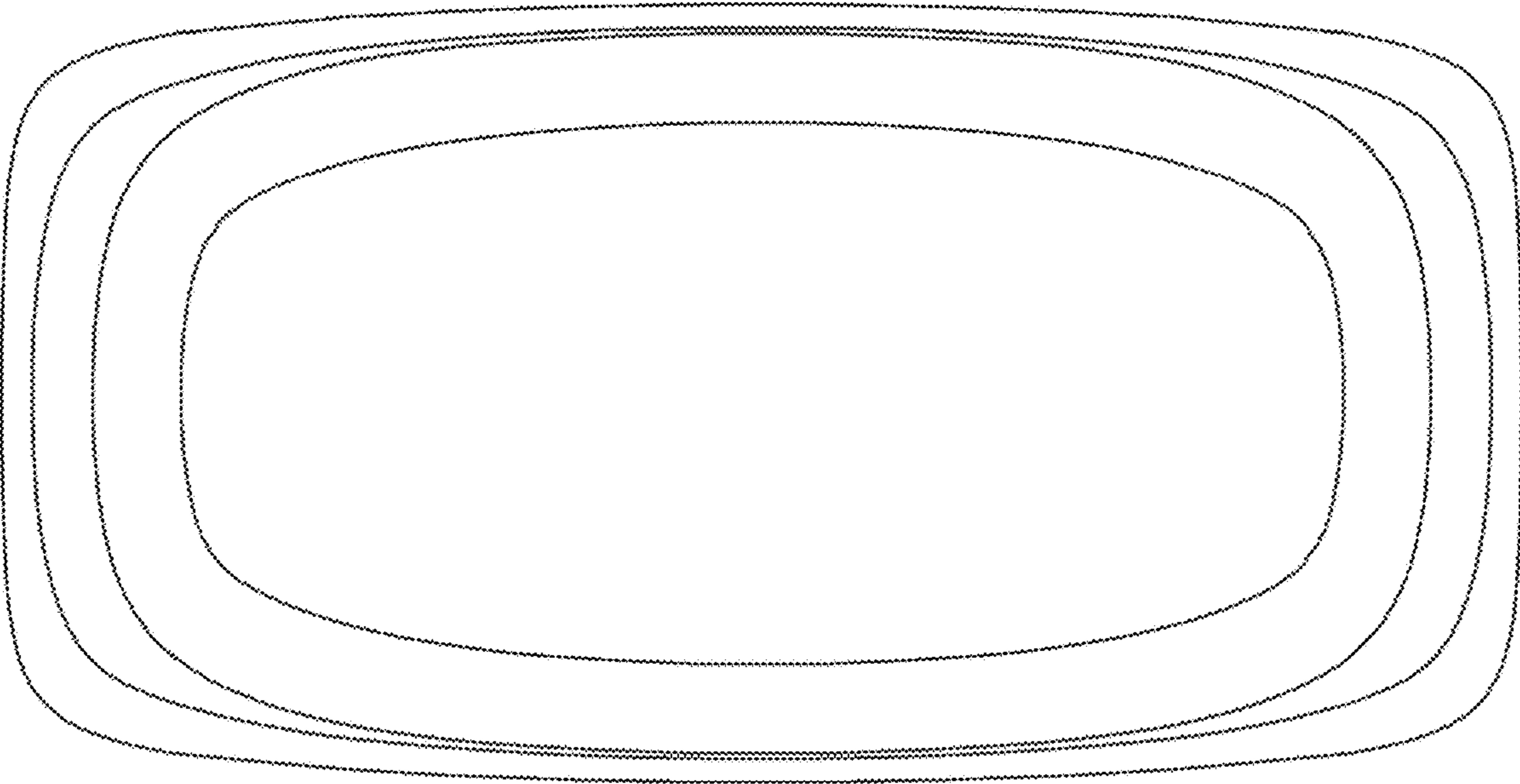
1.4



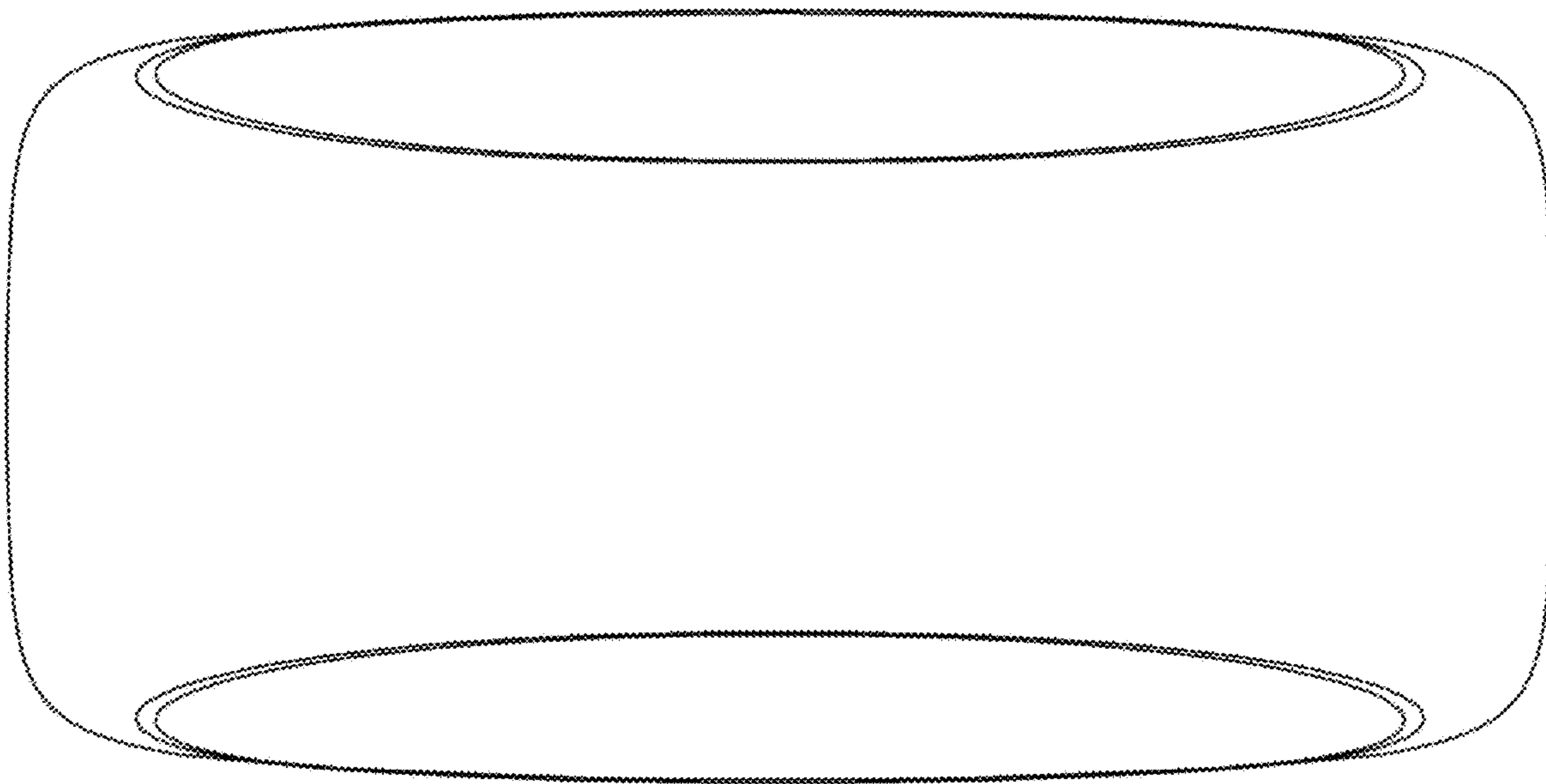
1.5



1.6



1.7



1.8

