



US00D860458S

(12) **United States Design Patent** (10) **Patent No.:** **US D860,458 S**
Tanaka (45) **Date of Patent:** **** Sep. 17, 2019**

(54) **MEDICAL X-RAY IMAGING APPARATUS**

(71) Applicant: **FUJIFILM Corporation**, Tokyo (JP)

(72) Inventor: **Kunihiko Tanaka**, Ashigarakami-gun (JP)

(73) Assignee: **FUJIFILM Corporation**, Tokyo (JP)

(**) Term: **15 Years**

(21) Appl. No.: **29/642,086**

(22) Filed: **Mar. 27, 2018**

(30) **Foreign Application Priority Data**

Sep. 27, 2017 (JP) 2017-021169
Sep. 27, 2017 (JP) 2017-021170

(51) **LOC (12) Cl.** **24-01**

(52) **U.S. Cl.**
USPC **D24/158**

(58) **Field of Classification Search**
USPC D24/107, 158-161, 185, 186, 187, 231
CPC .. A61B 6/03; A61B 6/035; A61B 5/05; A61B 5/055; A61B 6/055; A61B 6/502; A61B 8/0825; A61B 8/0414; A61B 8/4416; G06T 2207/30068
See application file for complete search history.

(56) **References Cited**

U.S. PATENT DOCUMENTS

D690,011 S * 9/2013 Yanase D24/158
D724,215 S * 3/2015 Dreijer D24/158
D769,446 S * 10/2016 Liu D24/158
D786,439 S * 5/2017 Kim D24/158
D787,063 S * 5/2017 Kim D24/158
D791,950 S * 7/2017 Kim D24/158
D806,877 S * 1/2018 Skeats D24/158

D835,280 S * 12/2018 Sugie D24/158
2012/0128130 A1 * 5/2012 Boomgaarden A61B 6/102
378/198
2014/0233703 A1 * 8/2014 Omura A61B 6/4405
378/98

(Continued)

Primary Examiner — Anhdao Doan

(74) *Attorney, Agent, or Firm* — Birch, Stewart, Kolasch & Birch, LLP

(57) **CLAIM**

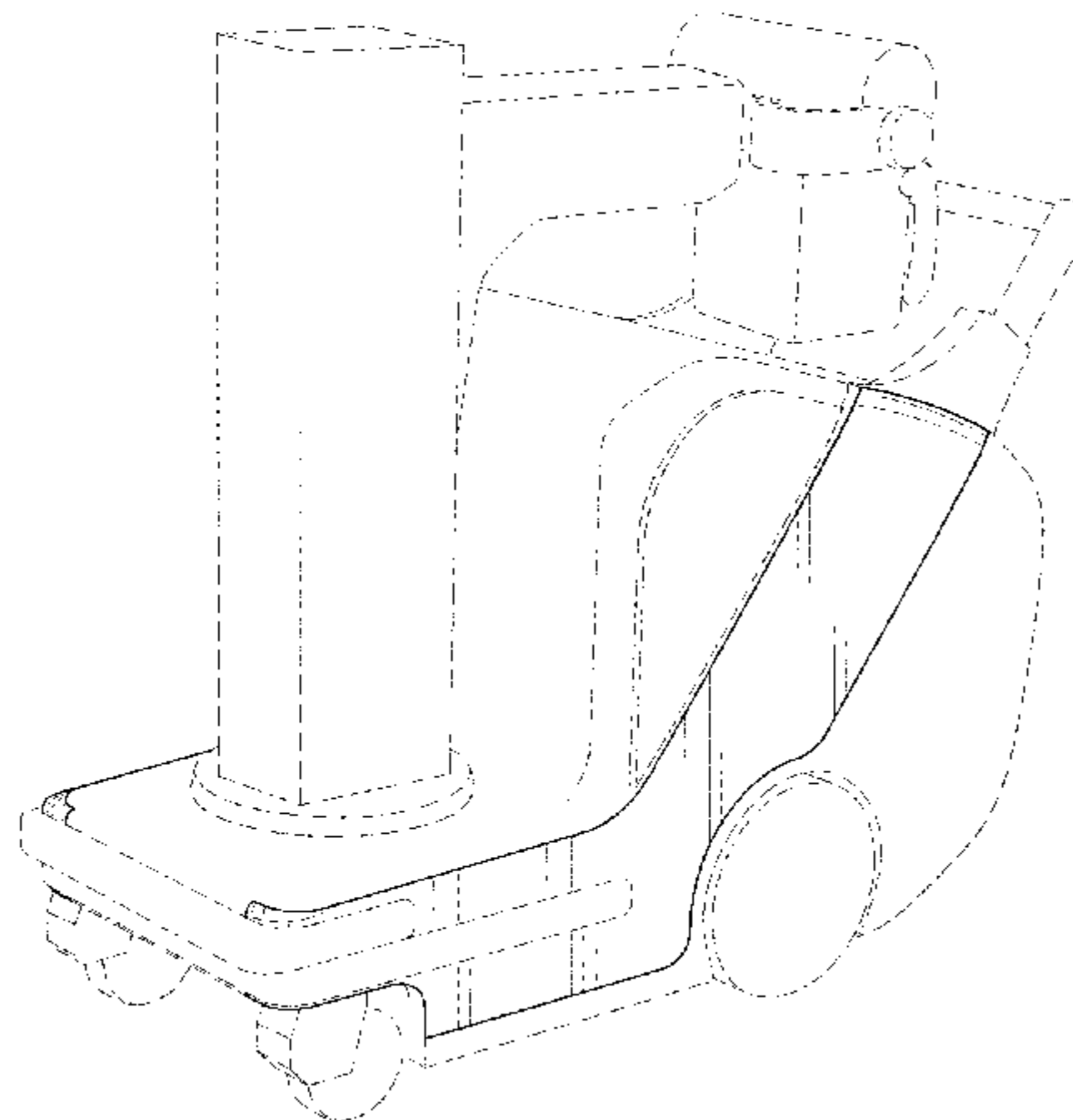
The ornamental design for a medical X-ray imaging apparatus, as shown and described.

DESCRIPTION

FIG. 1 is a top, front and right side perspective view of a medical X-ray imaging apparatus showing my new design; FIG. 2 is a front elevational view thereof; FIG. 3 is a rear elevational view thereof; FIG. 4 is a top plan view thereof; FIG. 5 is a bottom plan view thereof; FIG. 6 is a left side elevational view thereof; FIG. 7 is a right side elevational view thereof; FIG. 8 is a top, front and right side perspective view thereof in a state that a bumper component is removed from the state shown in FIG. 1; FIG. 9 is a front elevational view thereof in a state that a bumper component is removed from the state shown in FIG. 2; FIG. 10 is a top plan view thereof in a state that a bumper component is removed from the state shown in FIG. 4; FIG. 11 is a left side elevational view thereof in a state that a bumper component is removed from the state shown in FIG. 6; and, FIG. 12 is a right side elevational view thereof in a state that a bumper component is removed from the state shown in FIG. 7.

The broken lines showing the portions of the medical X-ray imaging apparatus in all views shown represent unclaimed subject matter and form no part of the claimed design.

1 Claim, 12 Drawing Sheets



(56)

References Cited

U.S. PATENT DOCUMENTS

2016/0199013 A1 * 7/2016 Moreno Vallejo ... A61B 6/4405
378/194

* cited by examiner

FIG. 1

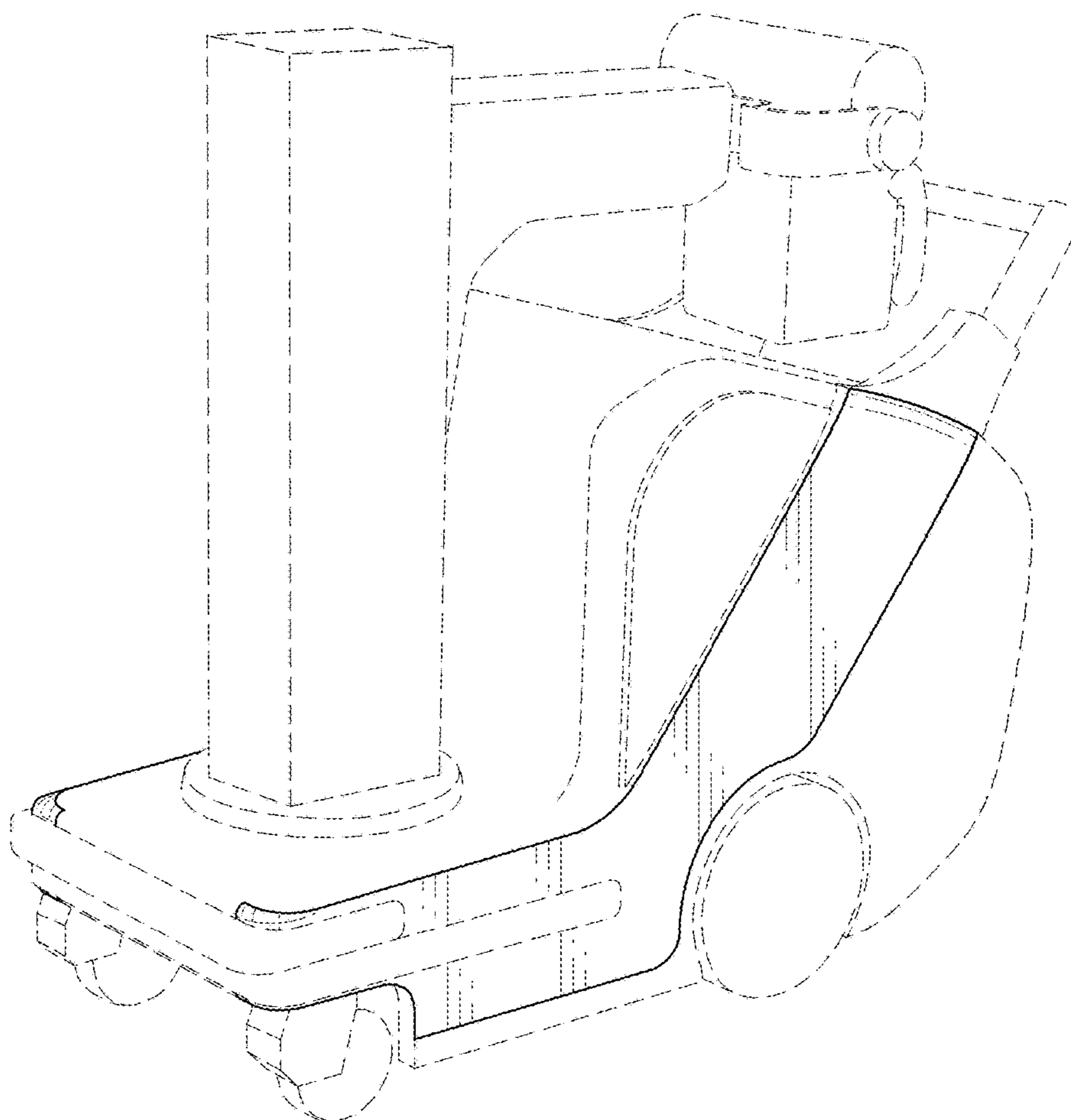


FIG. 2

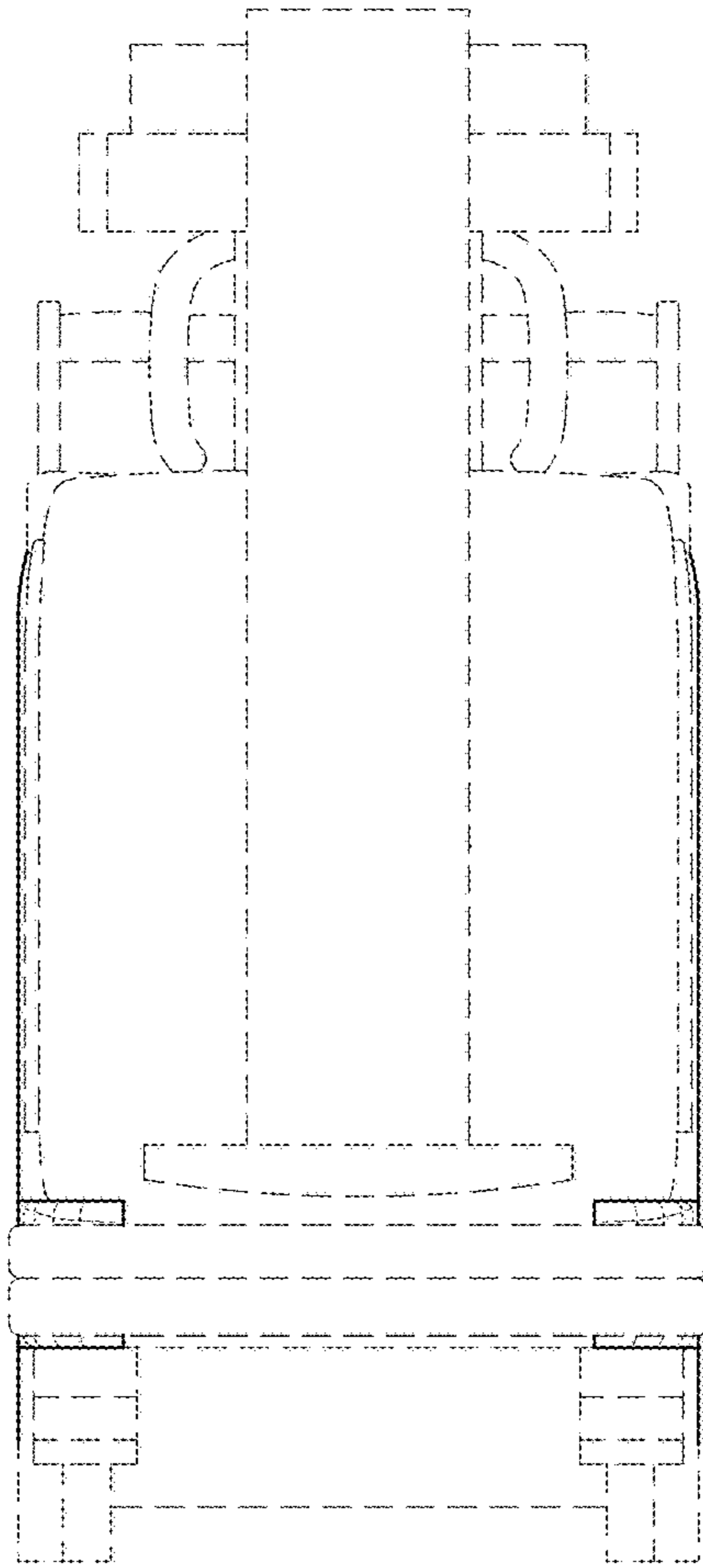


FIG. 3

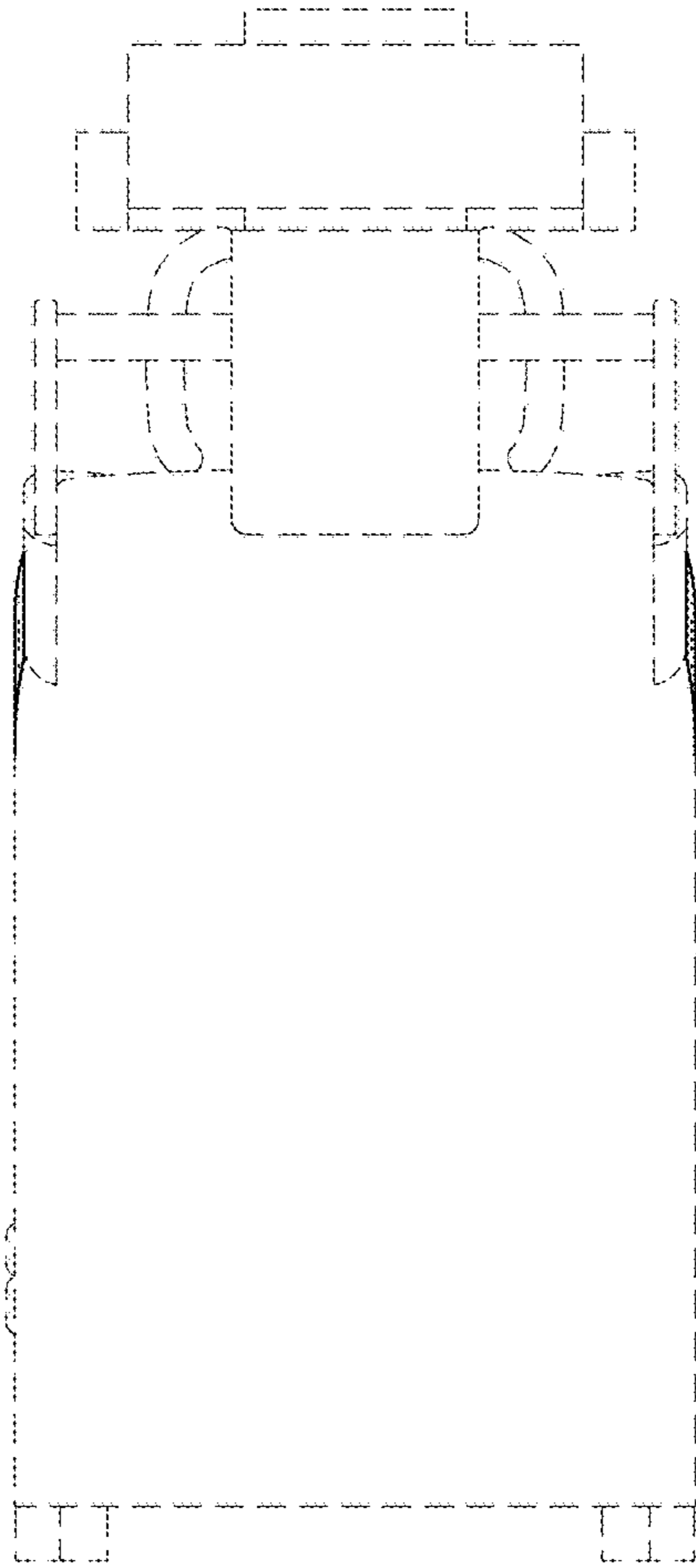


FIG. 4

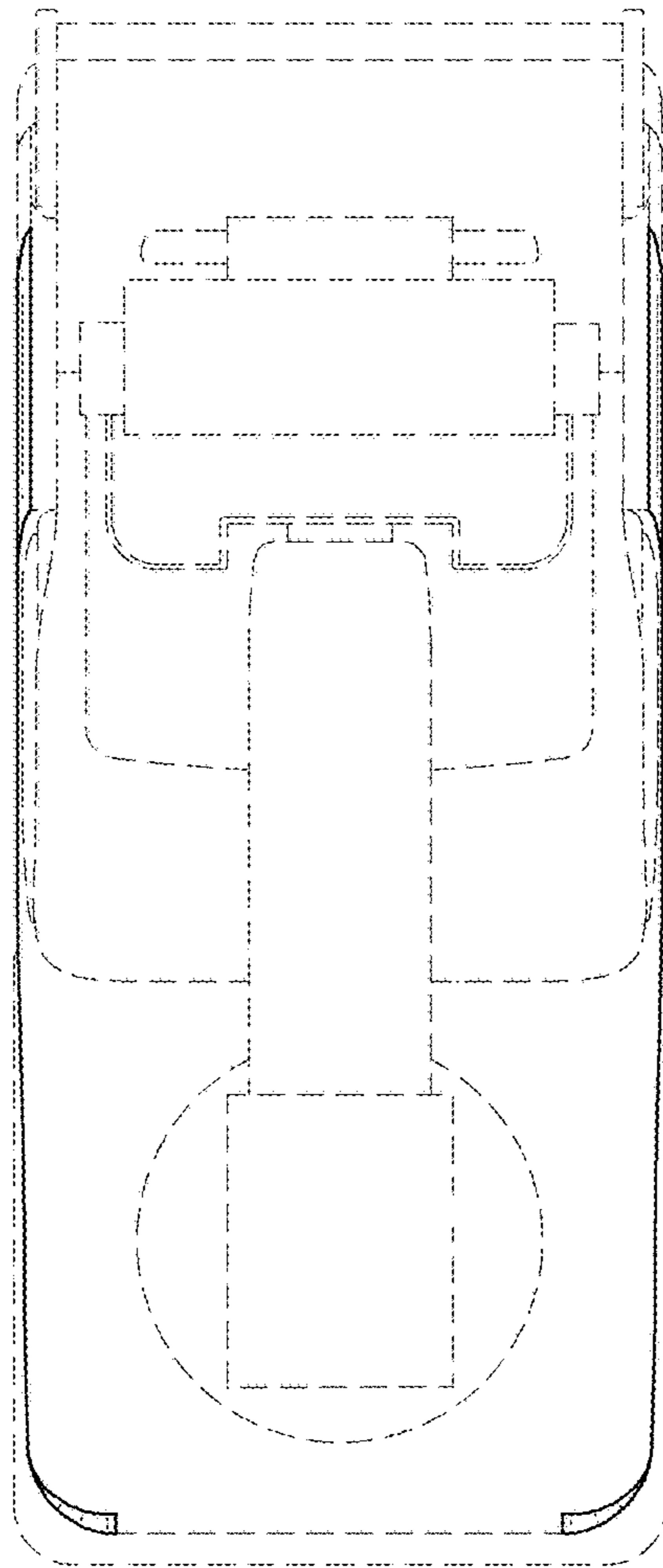


FIG. 5

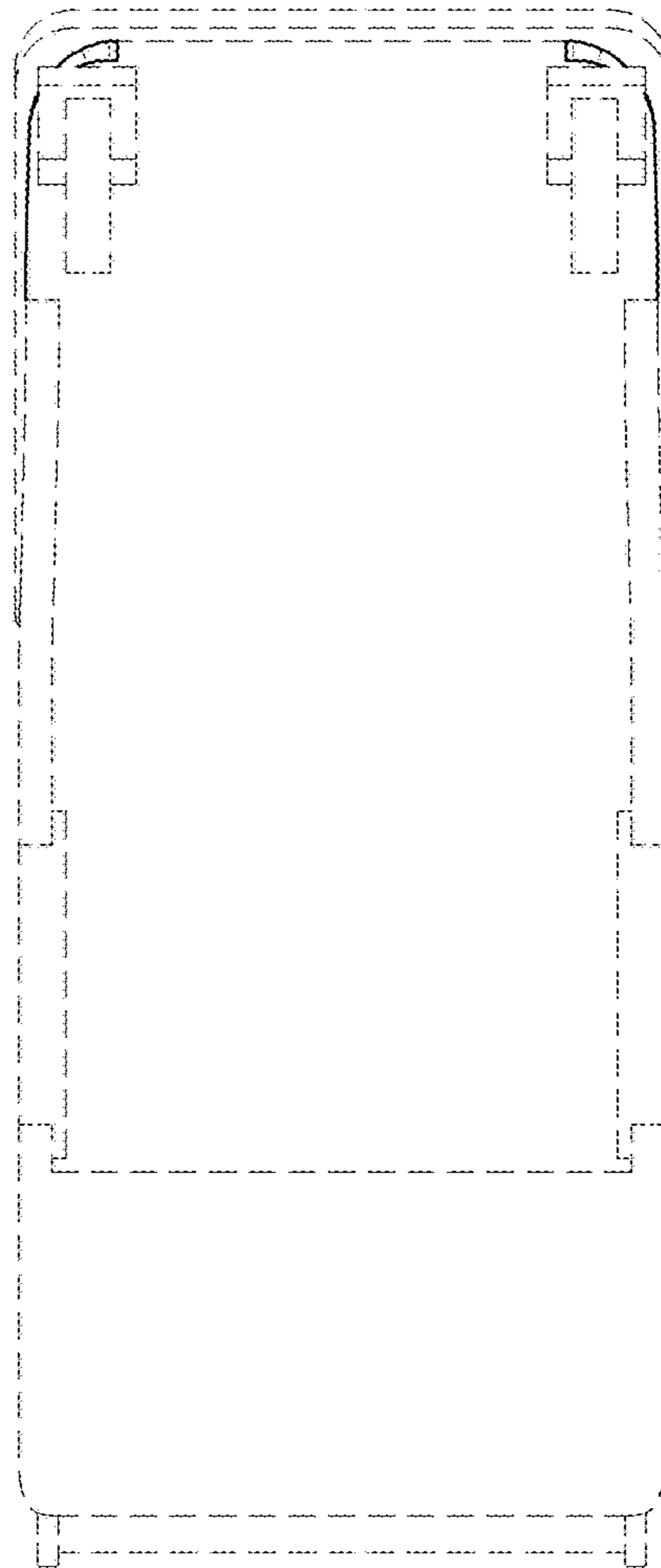


FIG. 6

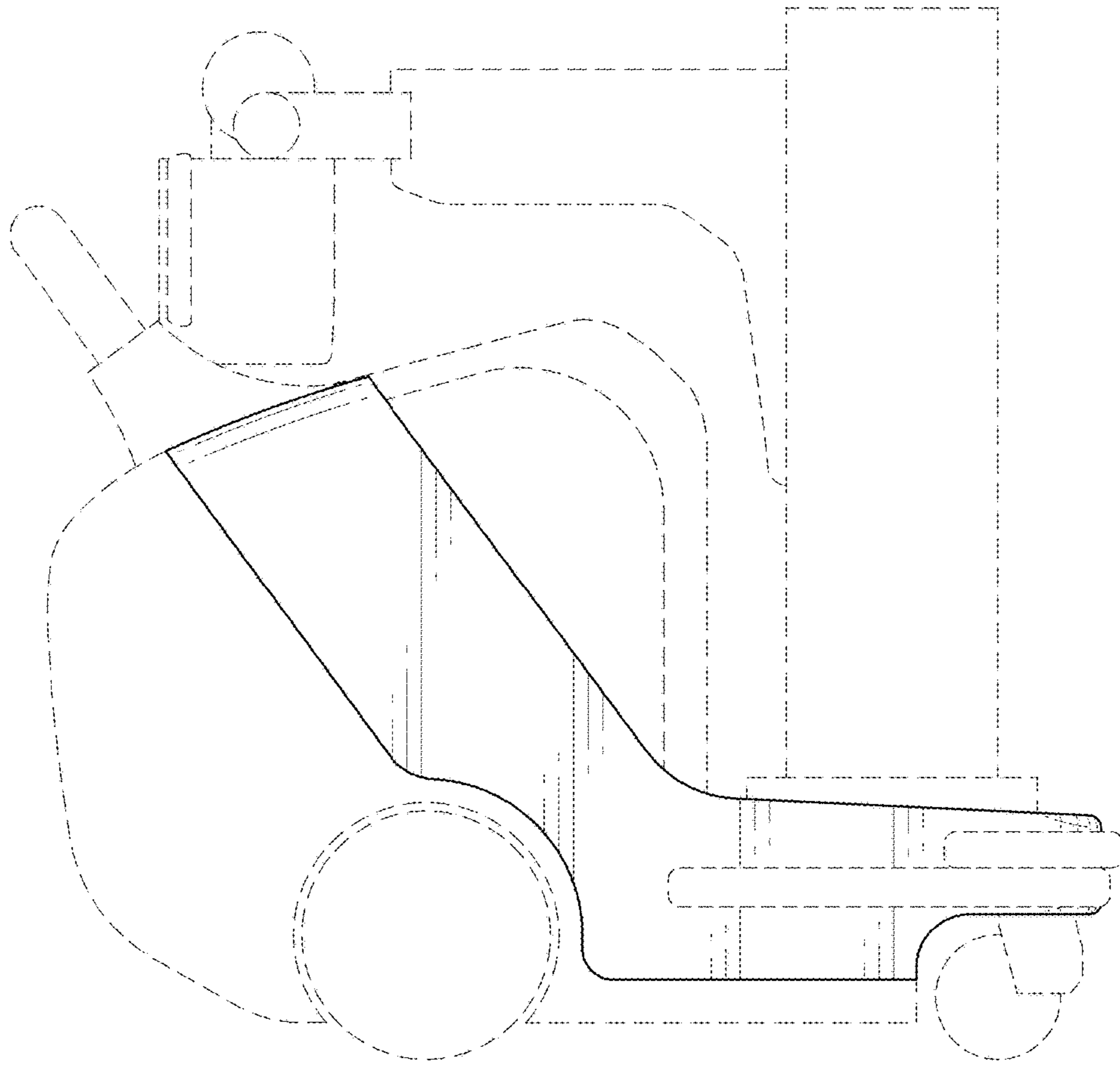


FIG. 7

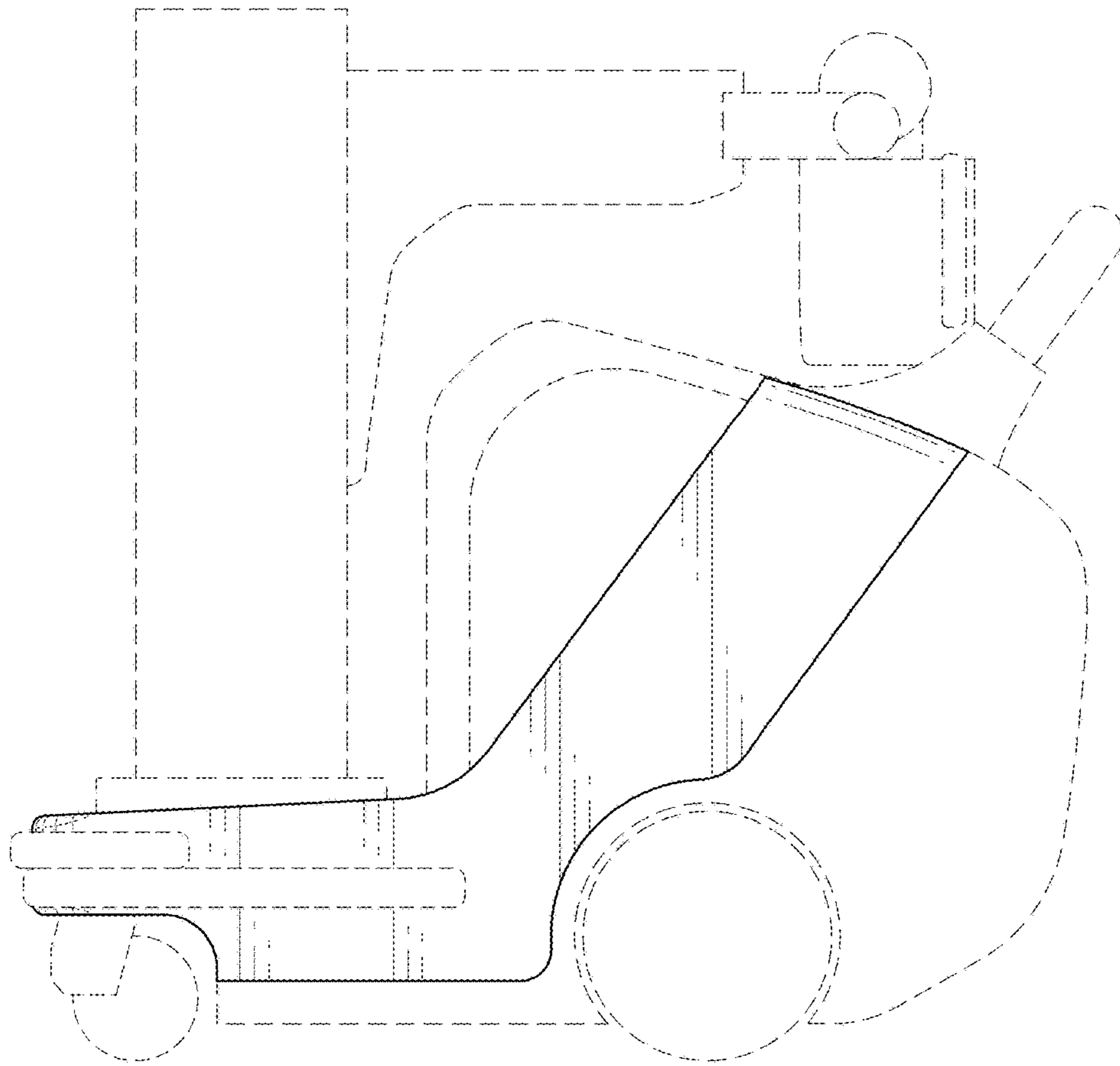


FIG. 8

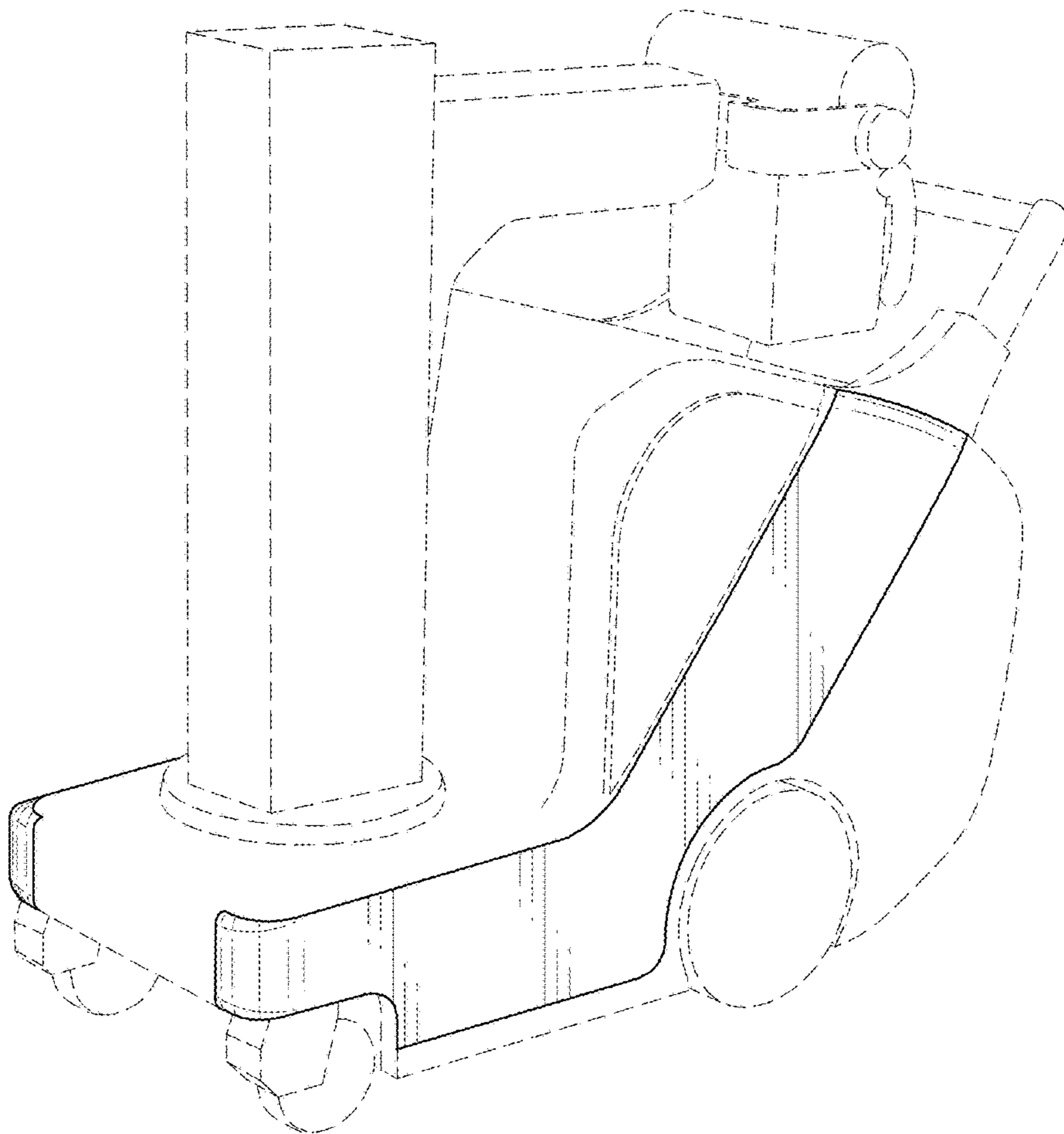


FIG. 9

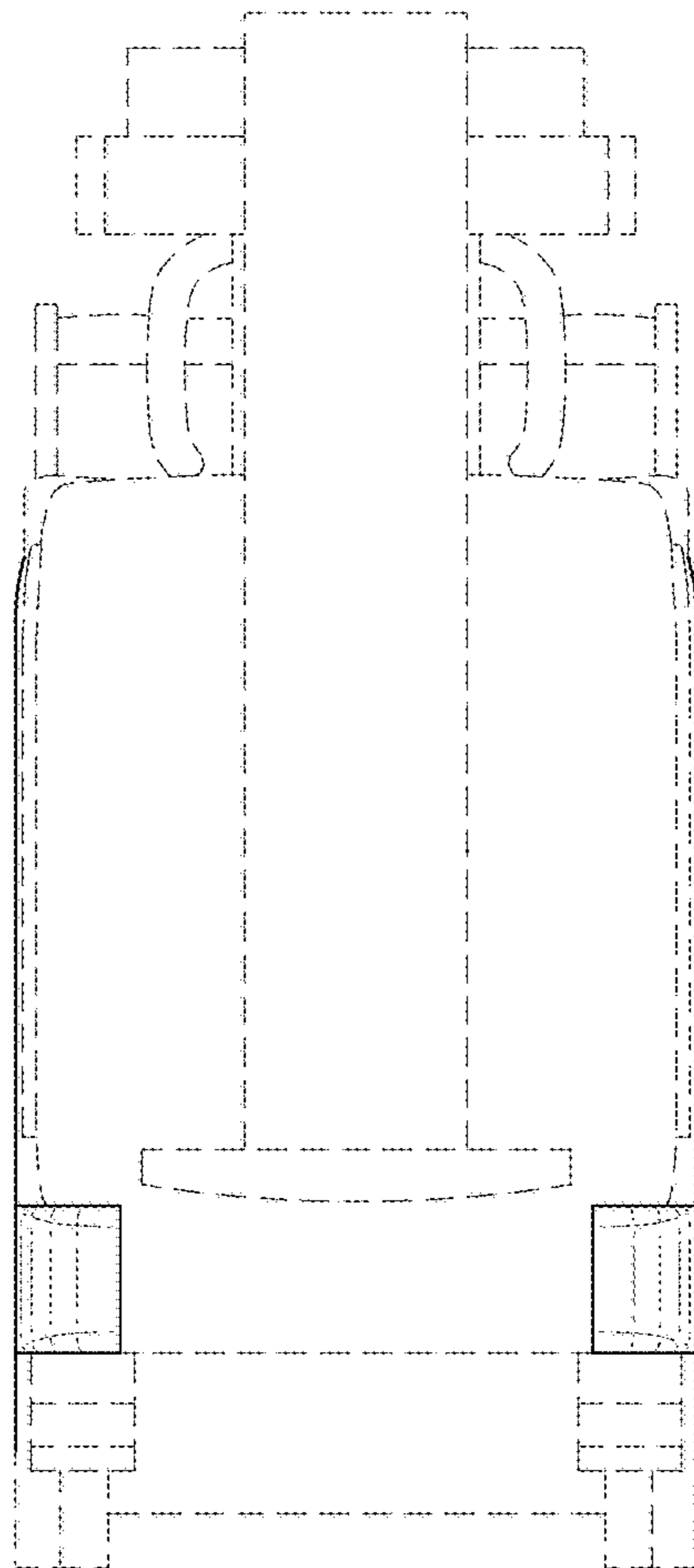


FIG. 10

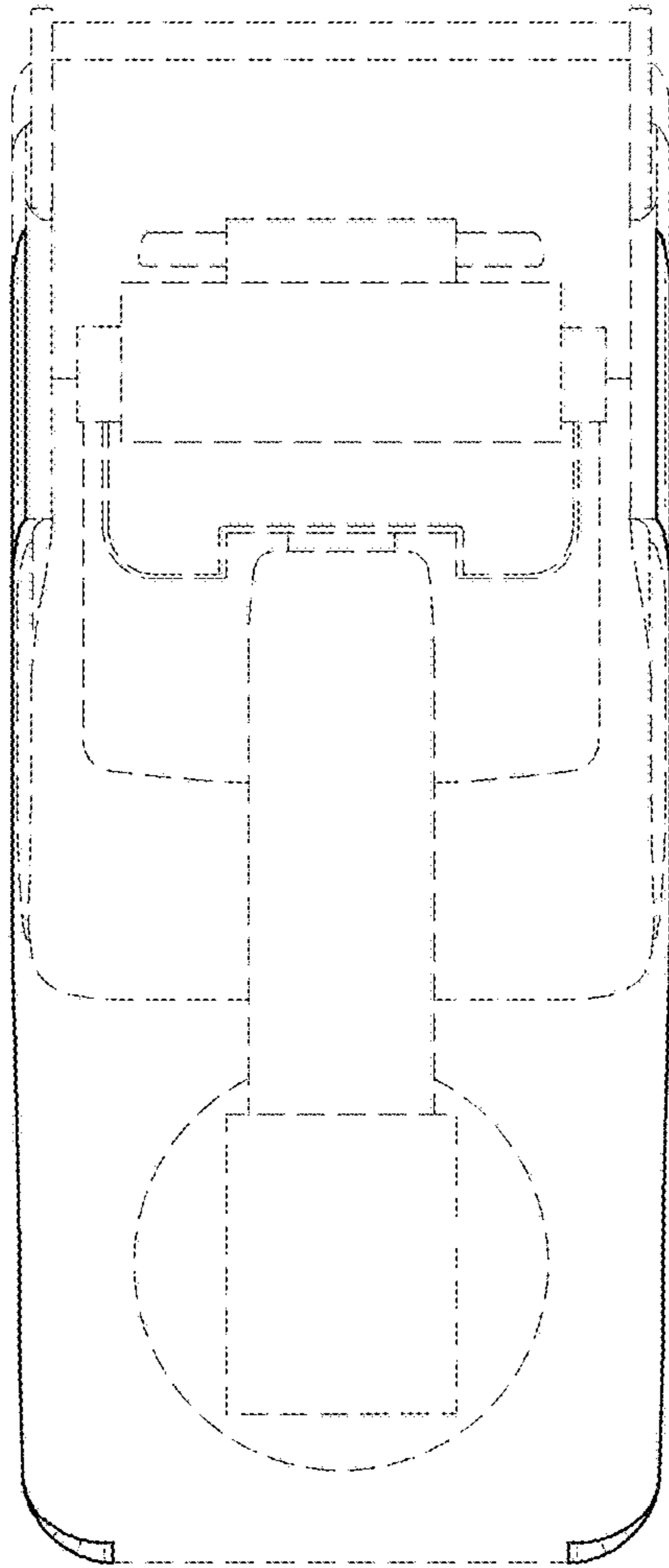


FIG. 11

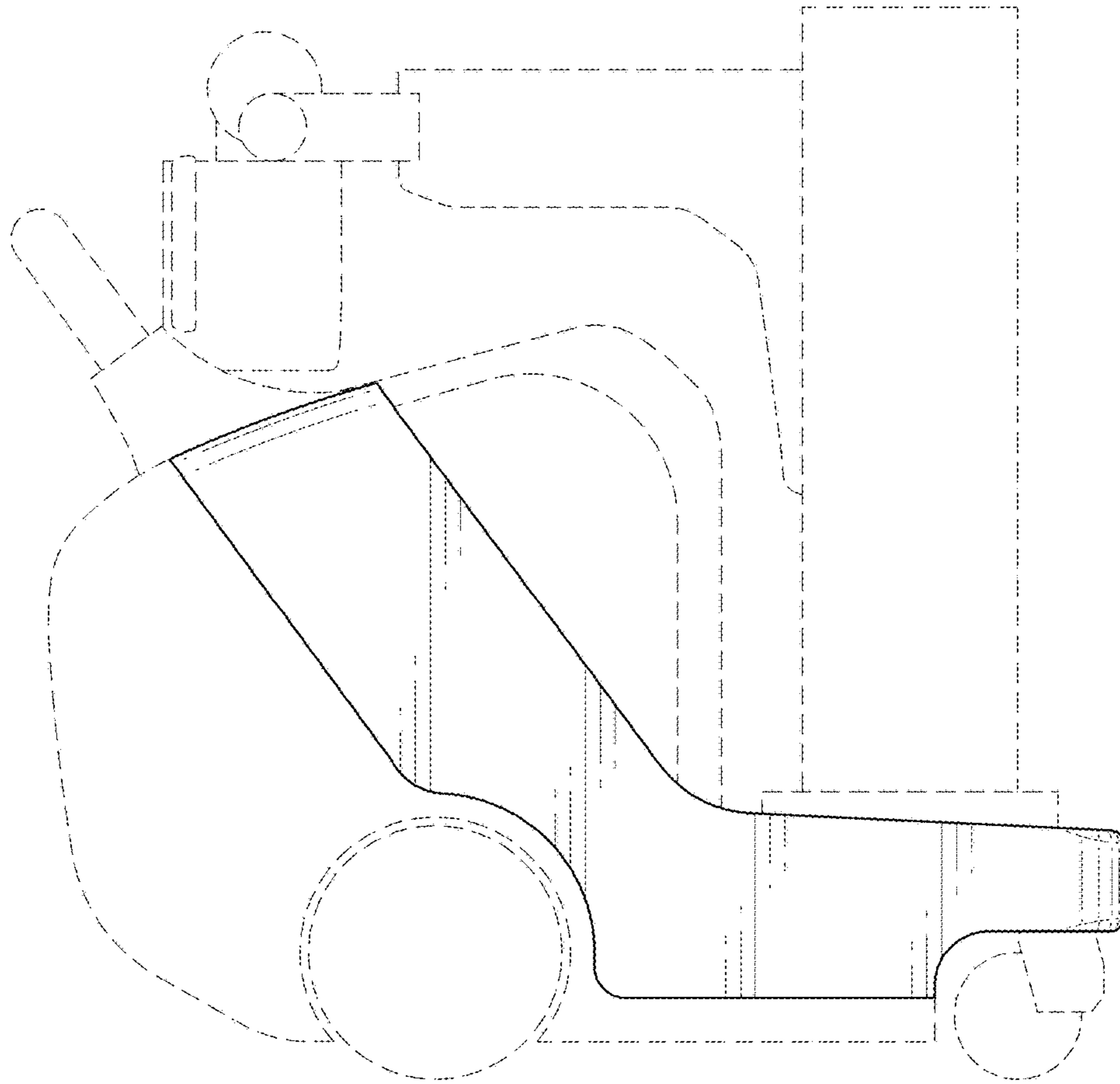


FIG. 12

