



US00D860456S

(12) **United States Design Patent** (10) **Patent No.:** **US D860,456 S**  
**Buchanan et al.** (45) **Date of Patent:** **\*\* Sep. 17, 2019**

- (54) **PLANTAR LAPIDUS PLATE**
- (71) Applicant: **Aristotech Industries GmbH**, Luckenwalde (DE)
- (72) Inventors: **Matthew Buchanan**, Falls Church, VA (US); **Albert E. Austin**, Millersville, MD (US); **Emmanuel Anapliotis**, Berlin (DE)
- (73) Assignee: **Aristotech Industries GmbH**, Luckenwalde (DE)
- (\*\*) Term: **15 Years**
- (21) Appl. No.: **29/580,690**
- (22) Filed: **Oct. 12, 2016**

**Related U.S. Application Data**

- (63) Continuation of application No. 14/197,813, filed on Mar. 5, 2014, now Pat. No. 9,545,276.
- (51) **LOC (12) Cl.** ..... **24-03**
- (52) **U.S. Cl.**  
USPC ..... **D24/155**
- (58) **Field of Classification Search**  
USPC ..... D24/155  
CPC ..... A61B 17/8061; A61B 17/7059; A61B 17/8052; A61B 17/8085; A61B 17/809; A61B 17/8014; A61B 147/8033; A61B 17/8004; A61B 17/888; A61B 17/842; A61B 17/8023; A61B 17/8009; A61B 17/86; A61B 17/1739; A61B 17/8066; A61B 17/1671; A61B 17/1757; A61B 17/8071; A61B 17/176; A61B 2017/1782; A61B 2017/1775

See application file for complete search history.

- (56) **References Cited**  
U.S. PATENT DOCUMENTS

2,662,988 A	12/1935	McKim
3,471,205 A	6/1973	Markolf et al.
3,757,591 A	9/1973	Taylor
4,408,601 A	10/1983	Wenk
4,454,876 A	6/1984	Mears
4,573,458 A	3/1986	Lower
4,616,634 A	10/1986	Vargas Garcia
4,720,225 A	1/1988	Burt
4,903,691 A	2/1990	Heinl
4,959,065 A	9/1990	Arnett et al.
5,085,660 A	2/1992	Lin

(Continued)

**FOREIGN PATENT DOCUMENTS**

- |    |         |        |
|----|---------|--------|
| AT | 406446  | 5/2000 |
| DE | 3113639 | 5/1982 |
- (Continued)

**OTHER PUBLICATIONS**

- International Search Report for PCT/DE2012/100248 dated Dec. 20, 2012.
- (Continued)

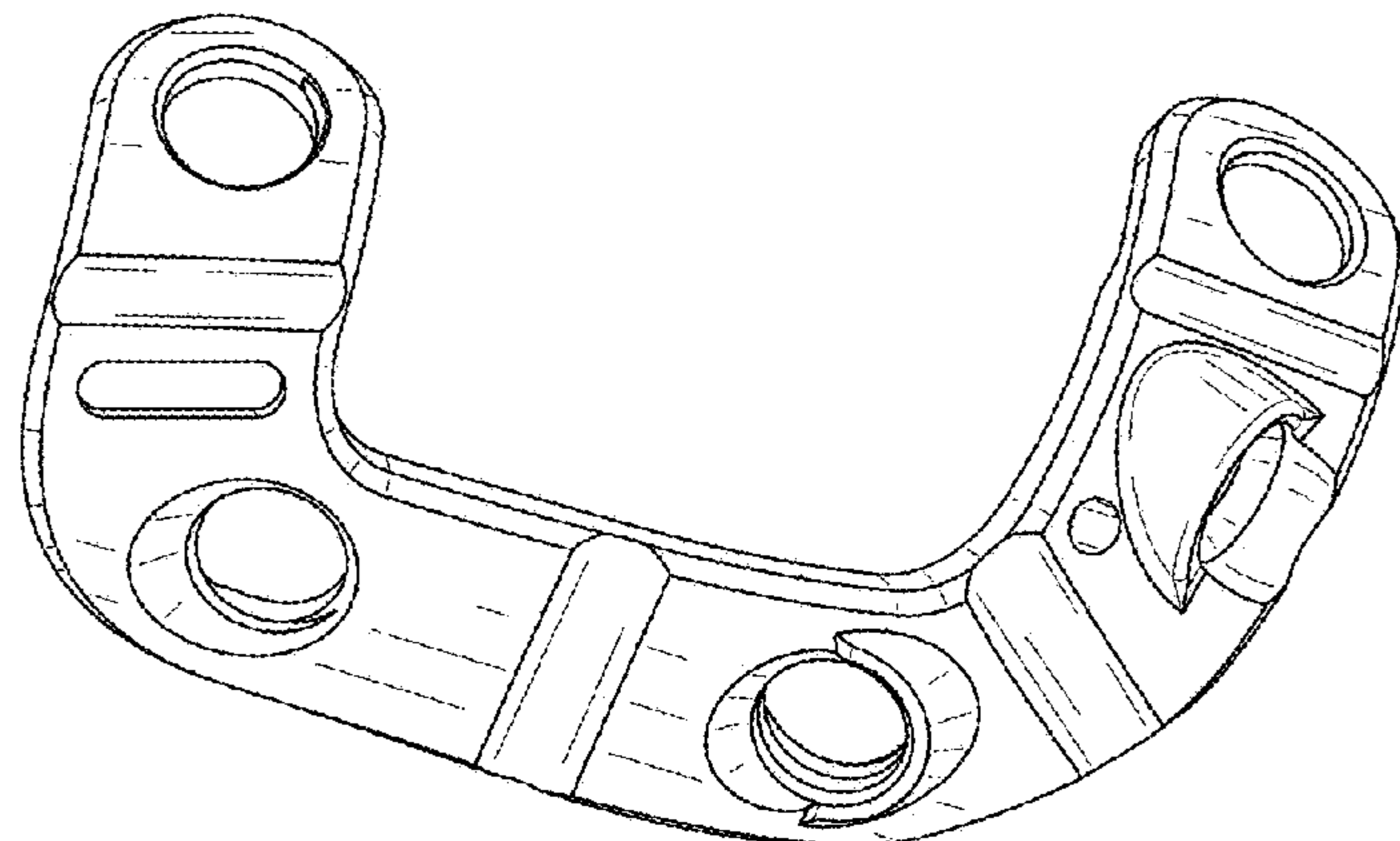
*Primary Examiner* — Charles D Hanson  
(74) *Attorney, Agent, or Firm* — Andrus Intellectual Property Law, LLP

- (57) **CLAIM**  
The ornamental design for a plantar lapidus plate, as shown.

**DESCRIPTION**

FIG. 1 is a top perspective view of a plantar lapidus plate; FIG. 2 is a top view thereof; FIG. 3 is a bottom view thereof; FIG. 4 is a front view thereof; FIG. 5 is a rear view thereof; and, FIG. 6 is a right side view thereof.

**1 Claim, 3 Drawing Sheets**





(56)

## References Cited

## U.S. PATENT DOCUMENTS

2015/0142064 A1 5/2015 Perez et al.  
2015/0223851 A1 8/2015 Hill et al.

## FOREIGN PATENT DOCUMENTS

DE	102005044841	3/2006
DE	102005007674	8/2006
DE	102006000948	10/2006
DE	102005042766	1/2007
DE	102005043285	1/2007
DE	69835968	5/2007
DE	102009020285	11/2010
DE	102010025001	12/2011
EP	0243114	10/1987
EP	1158916	7/2004
EP	1158915	9/2004
EP	1468655	10/2004
EP	1255498	11/2005
EP	1897509	3/2008
EP	1702577	11/2008
EP	2016918	1/2009
EP	1677693	4/2009
FR	2667913	4/1992
FR	2739151	3/1997
FR	2886535	12/2006
WO	8906940	8/1989
WO	9709000	3/1997
WO	9829058	7/1998
WO	0154601	8/2001
WO	02096309	12/2002
WO	2005041796	5/2005
WO	2005053111	6/2005
WO	2006014436	2/2006
WO	2007025520	3/2007
WO	0053110	9/2009
WO	2010059497	5/2010
WO	2011163092	12/2011
WO	2012000627	1/2012

## OTHER PUBLICATIONS

International Search Report and Written Opinion for PCT/IB2014/001111, dated Sep. 8, 2014.

International Search Report for PCT/DE2013/100209, dated Sep. 16, 2013.

Partial International Search Report for PCT/IB2014/001111 dated Sep. 16, 2014.

International Search Report for PCT/DE2010/075167, dated Apr. 15, 2011.

Acevedo, Jorge I, Sammarco, V. James, Boucher, Henry R., Parks, Bert G., Schon, Lew C., Myerson, Mark S; Mechanical Comparison of Cyclic Loading in Five Different First Metatarsal Shaft Osteotomies; *Foot & Ankle International*, Aug. 2002; vol. 23, No. 8, pp. 711-716.

Cisar, J., Holz, U, Jenninger, w., Uhlig, Chr.; Die Osteotomie nach Ludloff bei der Hallux-valgus-Operation; *Aktuelle Traumatol.* 13; 1983; pp. 247-249.

Hyer, Christopher F., Glover, Jason P., Berlet, Gregory C., Philbin, Terrence, M, Lee, Thomas H.; A Comparison of the Crescentic and Mau Osteotomies for Correction of Hallux Valgus; *Journal of Foot and Ankle Surgery*; Mar./Apr. 2008; vol. 47, No. 2; pp. 103-111.

Ludloff, Prof. Dr. K.; Die Beseitigung des Hallux valgus durch die schräge planta-dorsale Osteotomie des Metatarsus I.; *Arch. Klin. Chir.*; 110:364-387; 1918.

Mau, C., Lauber, H.J.; Die operative Behandlung des Hallux valgus (Nachuntersuchungen); 1926, 197:361-377.

Sammarco, V. James; Surgical Strategies: Mau Osteotomy for Correction of Moderate and Severe Hallux Valgus Deformity; *Foot & Ankle International*; Jul. 2007; 28(7); pp. 857-864.

Saxena, Amol, McCammon, Derek; The Ludloff Osteotomy: A Critical Analysis; *Journal of Foot and Ankle Surgery*; 1997; vol. 36, No. 2, pp. 100-105.

Trnka, H.-J., Hofstaetter, S.G., Hofstaetter, J.G., Gruber, F., Adams Jr., S.B., Easley, M.E; Intermediate-Term Results of the Ludloff Osteotomy in One Hundred and Eleven Feet; *The Journal of Bone and Joint Surgery*; Mar. 2008; vol. 90-A(3); pp. 531-539.

International Search Report for PCT/2006/001508, dated Feb. 8, 2007.

“Orthopaedic Product News”, Aug. 2005, Retrieved from the Internet: URL:[http://www.orthoworld.com/us\\_opn-2005-08.pdf](http://www.orthoworld.com/us_opn-2005-08.pdf) [retrieved on May 26, 2009], p. 30, Hallux Valgus Correction with a Low Profile Locking Plate.

Iselin, Lukas D. et al., Operative Management of Common Forefoot Deformities A Representative Survey of Australian Orthopaedic Surgeons, *Foot & Ankle Specialist*, vol. X/ No. X, 1-7 (2012).

Miller, Michael J., DMP et al., Inverted Z-scarf Osteotomy for Hallux Valgus Deformity Correction: Intermediate-term Results in 55 Patients, *The Journal of Foot and Ankle Surgery*, 50: 55-61 (2011).

Dereymaeker, Greta, MD, PhD, Scarf Osteotomy for Correction of Hallux Valgus—Surgical Technique and Results as Compared to Distal Chevron Osteotomy, *The Hallux*, vol. 5/ No. 3, 513-523 (Sep. 2000).

Steck, Jerome K, DPM, Long Z-Osteotomy: A Review and New Modification to Correct Troughing, *The Journal of Foot and Ankle Surgery*, vol. 40/ No. 5, 305-310 (Sep./Oct. 2001).

Adam, Stephanie P., Do et al., Outcomes after Scarf Osteotomy for Treatment of Adult Hallux Valgus Deformity, *Clinical Orthopaedics and Related Research*, 469: 854-859 (2011).

Trnka, Hans-Jorg, MD et al., Six First Metatarsal Shaft Osteotomies—Mechanical and Immobilization Comparisons, *Clinical Orthopaedics and Related Research*, No. 381, 256-265 (Mar. 10, 2000).

Aminian, Arash, M.D. et al., Scarf Osteotomy for Hallux Valgus Deformity: An Intermediate Followup of Clinical and Radiographic Outcomes, *Foot & Ankle International*, vol. 27/ No. 11, 883-886 (Nov. 2006).

Weil, Lowell Scott, DPM, Scarf Osteotomy for Correction of Hallux Valgus—Historical Perspective, Surgical Technique, and Results, *The Hallux*, vol. 5/ No. 3, 559-580 (Sep. 2000).

Vienne, Patrick, M.D. et al, Comparative Mechanical Testing of Different Geometric Designs of Distal First Metatarsal Osteotomies, *Foot & Ankle International*, vol. 28/ No. 2, 232-236 (Feb. 2007).

Lipscombe, Stephen, MRCS et al, Scarf Osteotomy for the Correction of Hallux Valgus: Midterm Clinical Outcome, *The Journal of Foot and Ankle Surgery*, vol. 47/ No. 4, 273-277 ( Jul./Aug. 2008).

Barouk, Louis Samuel, MD, Scarf Osteotomy for Hallux Valgus Correction—Local Anatomy, Surgical Technique, and Combination with Other Forefoot Procedures, *The Hallux*, vol. 5/ No. 3, 525-557 (Sep. 2000).

Crevoisier, Xavier et al., The Scarf Osteotomy for the Treatment of Hallux Valgus Deformity: A Review of 84 Cases, *Foot & Ankle International*, vol. 22/ No. 12, 970-976 (Dec. 2001).

Coetzee, J. Chris, M.D., Scarf Osteotomy for Hallux Valgus Repair: The Dark Side, *Foot & Ankle International*, vol. 24/ No. 1, 29-33 (Jan. 2003).

Interventional Procedures Programme—Interventional procedure overview of surgical correction of hallux valgus using minimal access techniques, *National Institute for Health and Clinical Excellence*, p. 1, 9.

Comparison of Preoperative to Postoperative Measurement at 6 Weeks, 1 and 2 Years Postoperative, Table 1.

O’Brian, David E. et al., Use of A Geometric Formula to Improve the Radiographic Correction Achieved by the Scarf Osteotomy, *Foot & Ankle International*, vol. 33/ No. 8, 647-654 (Aug. 2012).

Easley, Mark E., M.D., et al., Current Concepts Review: Hallux Valgus Part II: Operative Treatment, *Foot & Ankle International*, vol. 28/ No. 6, 748-758 (Jun. 2007).

Myerson, Mark, M.D., “Correction of Hallux Valgus Deformity with the Ludloff Osteotomy Surgical Technique”, *Joint Meeting of American Orthopedic Foot & Ankle Society and the Japanese Surgery Society for the Foot*, Nov. 13-15, 1997, Wailoloa, HI.

\* cited by examiner

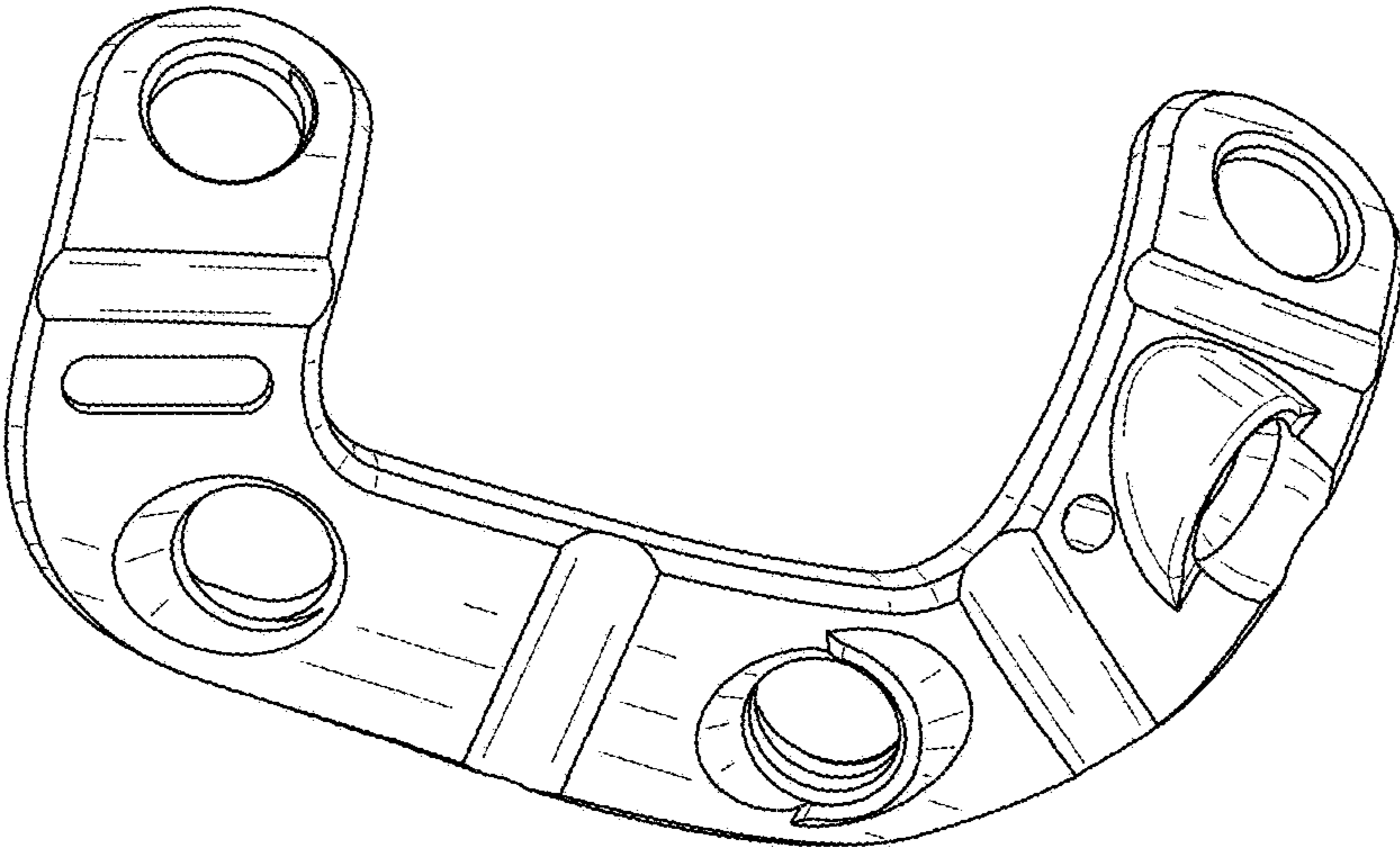


FIG. 1

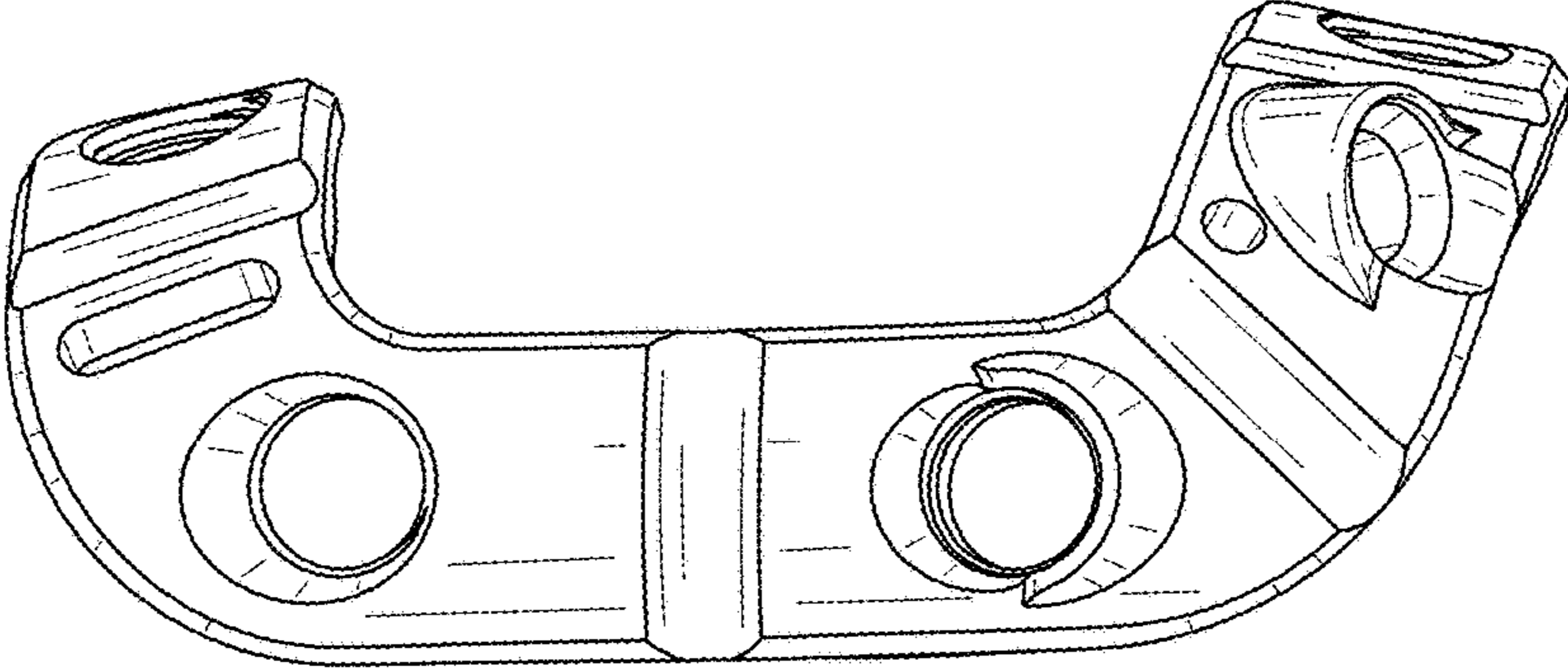


FIG. 2

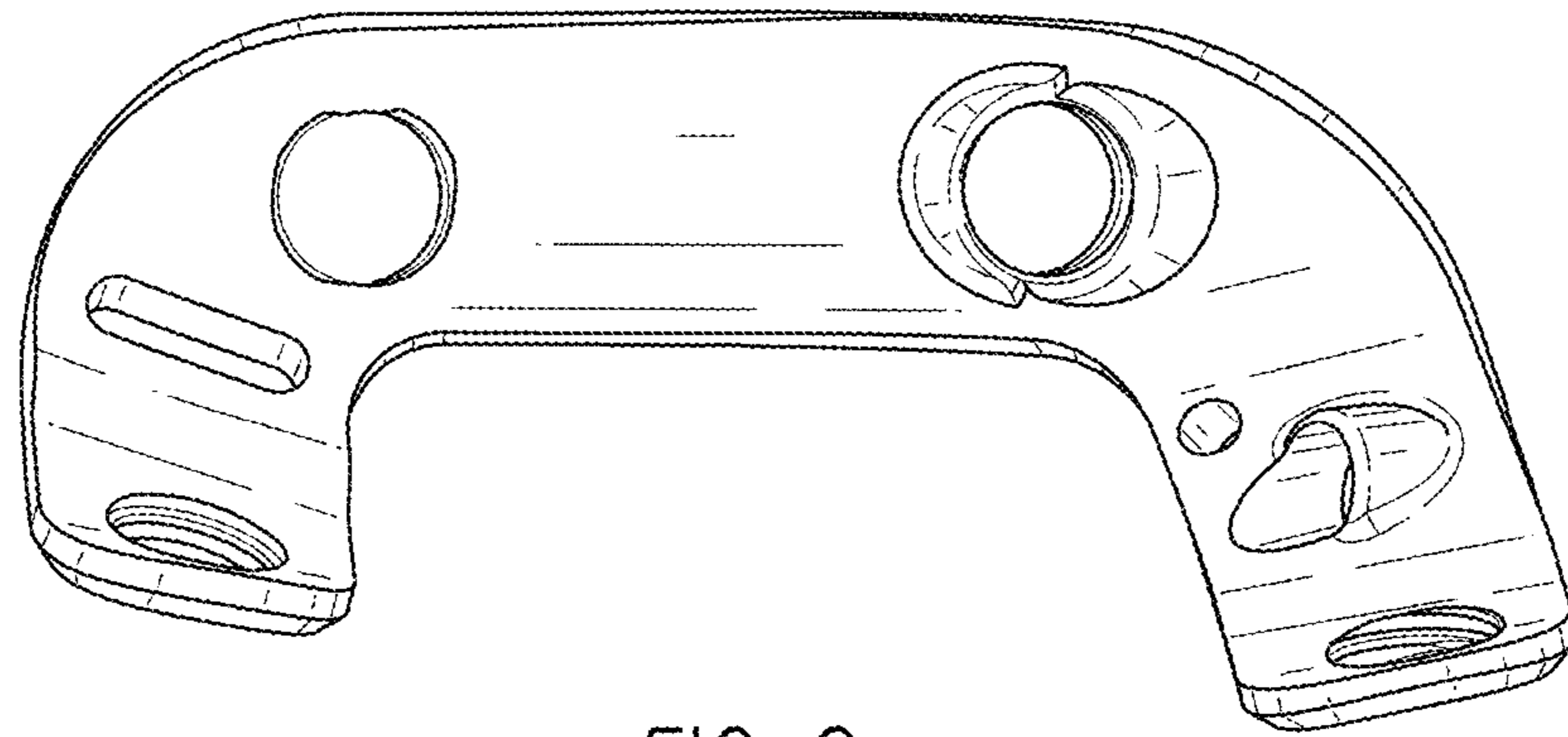


FIG. 3

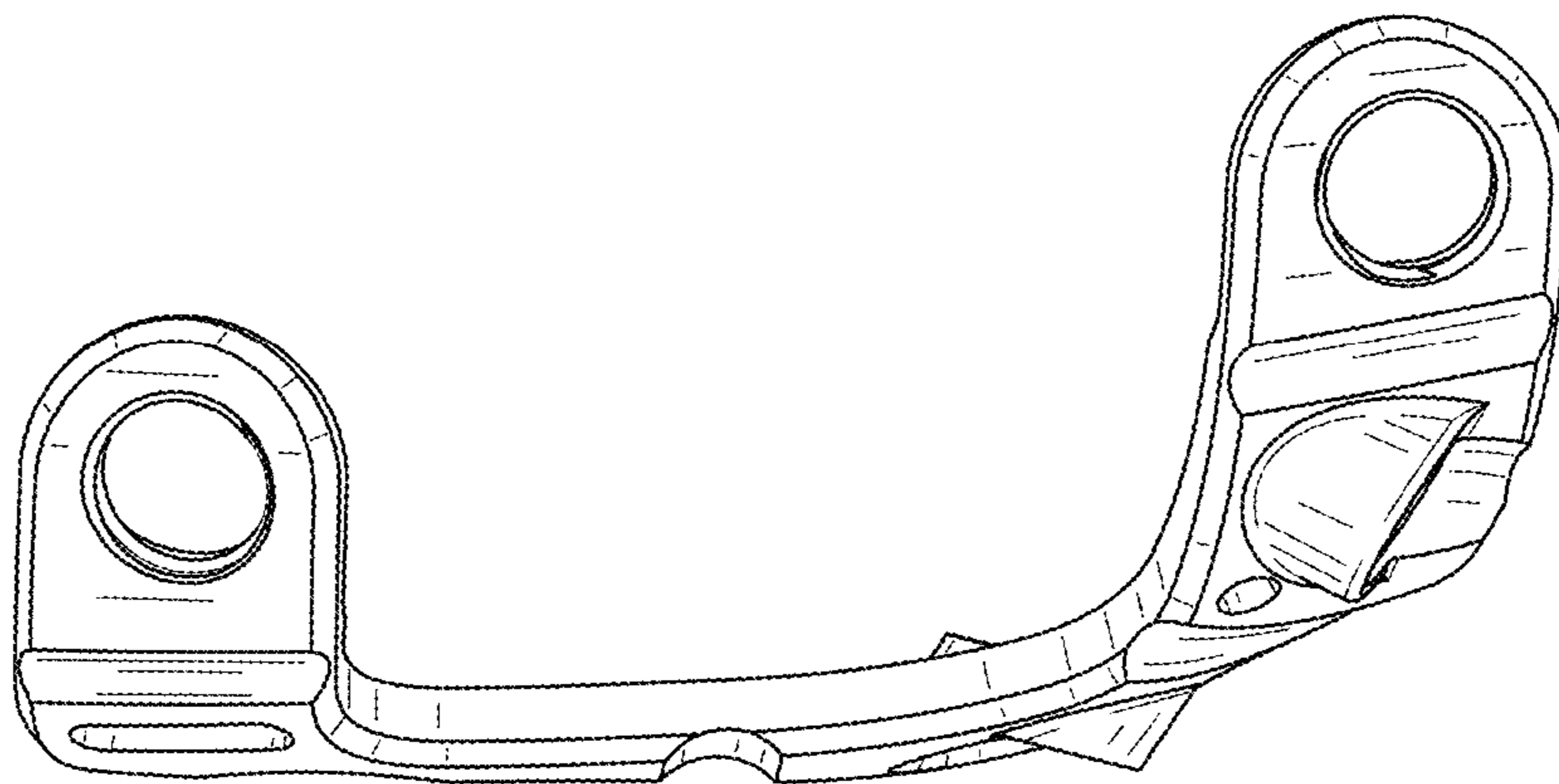


FIG. 4

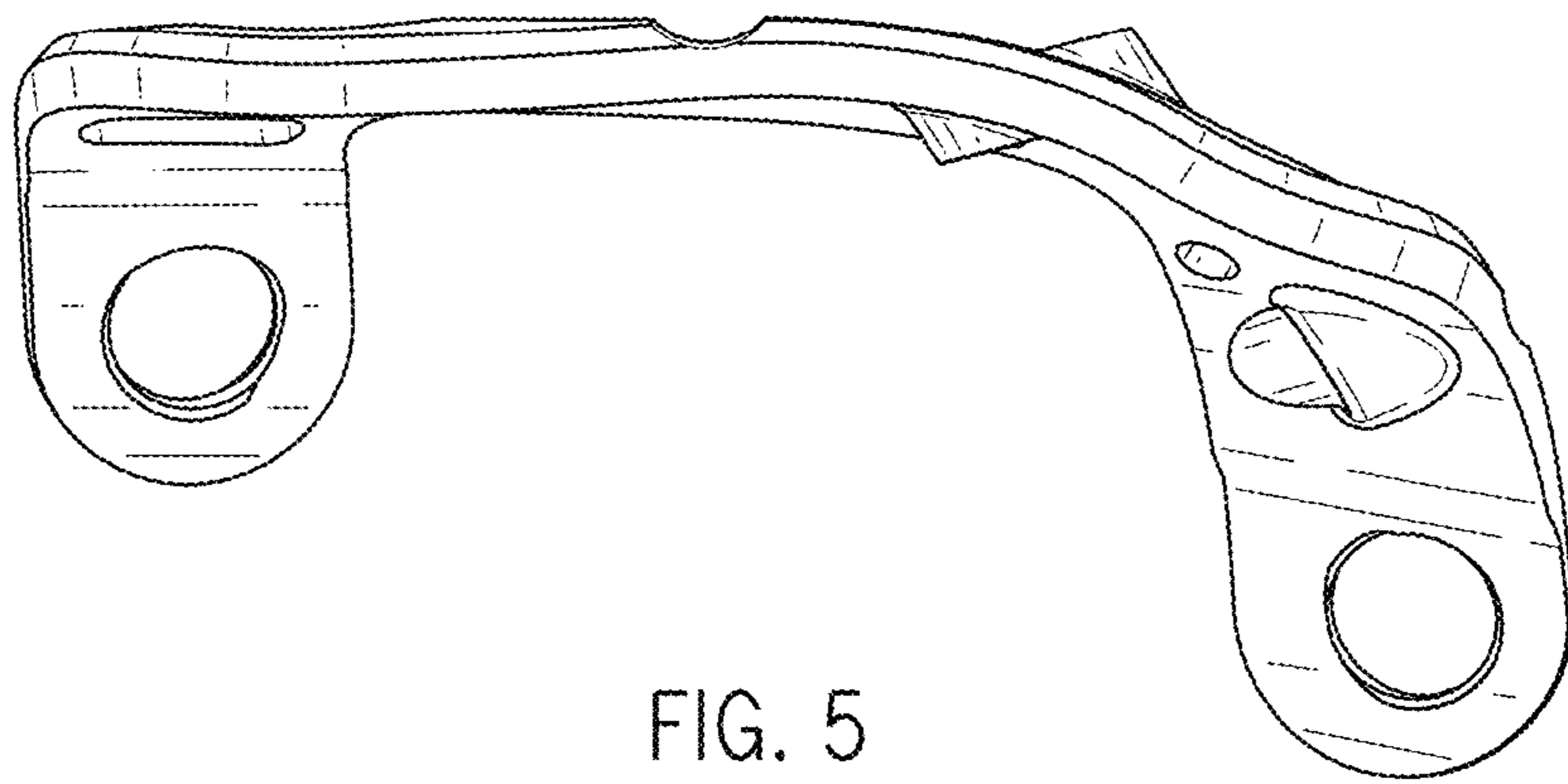


FIG. 5

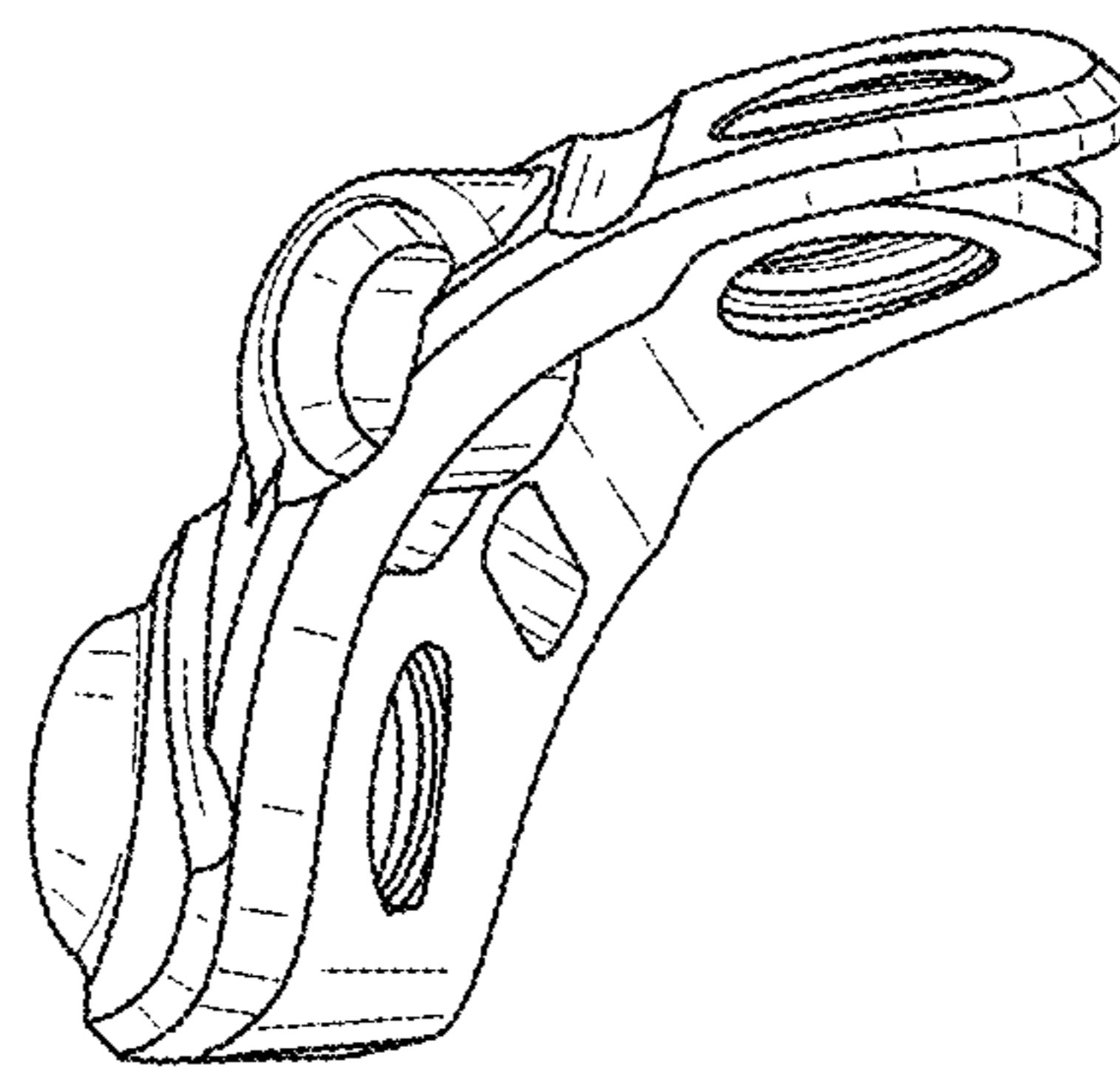


FIG. 6