



US00D860453S

(12) **United States Design Patent** (10) **Patent No.:** **US D860,453 S**
Zanata et al. (45) **Date of Patent:** **** Sep. 17, 2019**

(54) **DEVICE FOR LASER THERAPY**
(71) Applicant: **K-LASER D.O.O.**, Sežana (SI)
(72) Inventors: **Enrico Zanata**, Treviso (IT); **Andrea Zanata**, Treviso (IT)
(73) Assignee: **K-LASER D.O.O.**, Sežana (SI)
(**) Term: **15 Years**

(21) Appl. No.: **29/599,627**
(22) Filed: **Apr. 5, 2017**

(30) **Foreign Application Priority Data**
Oct. 10, 2016 (EM) 003413202
(51) **LOC (12) Cl.** **24-02**
(52) **U.S. Cl.**
USPC **D24/144**
(58) **Field of Classification Search**
USPC D24/107, 144, 158, 185, 186, 200, 209,
D24/210; D25/1, 18, 39, 61, 100;
D8/349, 354, 367-369, 373; 601/15,
601/DIG. 5, DIG. 21; 607/89; 14/2, 24
CPC ... A61N 5/00; A61N 5/01; A61N 5/06; A61N
5/0613; A61N 5/1078; A61N 2005/067;
A61N 2005/105; A61N 2005/0653; A61F
9/008; A61F 9/0084; A61F 9/00814;
A61F 9/00817; A61F 9/00823; A61F
9/00853; A61B 18/20
See application file for complete search history.

(56) **References Cited**
U.S. PATENT DOCUMENTS
D424,197 S * 5/2000 Sydlowski D24/133
D511,387 S * 11/2005 Beach D25/1
D552,453 S * 10/2007 Cronk D8/354
D648,028 S * 11/2011 Yokoyama D24/158

D668,770 S * 10/2012 Tucek D24/209
8,480,720 B2 * 7/2013 Weisbart A61N 5/0613
606/9
D702,851 S * 4/2014 Lee D24/209
D738,191 S * 9/2015 Nas D8/349
2008/0123819 A1 * 5/2008 Jensen A61B 6/4405
378/198
2008/0317216 A1 * 12/2008 Lifshitz A61B 6/032
378/209
2014/0316492 A1 * 10/2014 Min A61N 5/0613
607/91

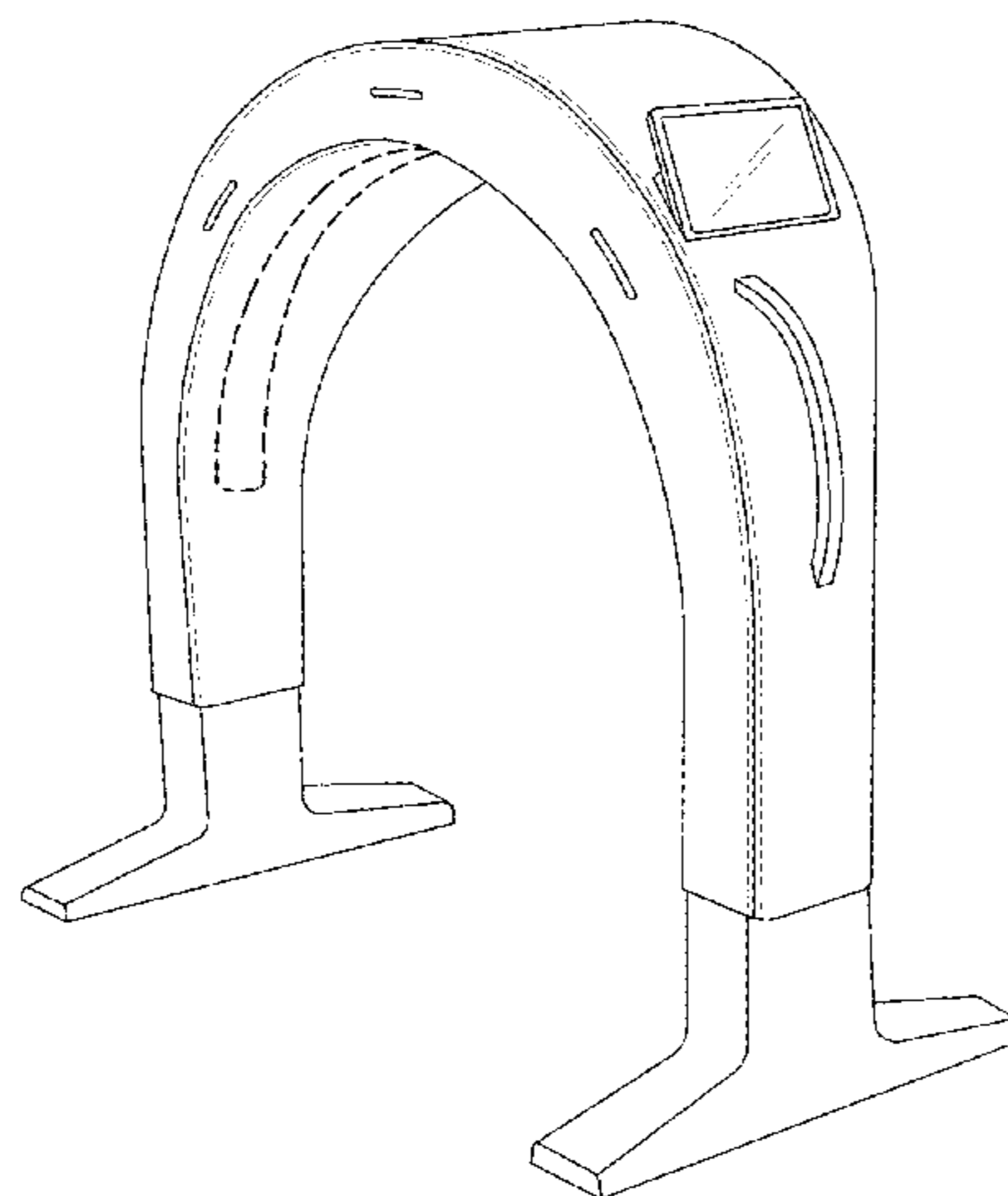
(Continued)

Primary Examiner — Wan Laymon
Assistant Examiner — Clint A Samuel
(74) *Attorney, Agent, or Firm* — Timothy X. Gibson,
Esq.; Gibson & Dernier LLP

(57) **CLAIM**
The ornamental design for a device for laser therapy, as shown and described.

DESCRIPTION
FIG. 1 is a rear perspective view of the device for laser therapy;
FIG. 2 is a right view of the device for laser therapy of FIG. 1;
FIG. 3 is a rear view of the device for laser therapy of FIG. 1;
FIG. 4 is a left view of the device for laser therapy of FIG. 1;
FIG. 5 is a front view of the device for laser therapy of FIG. 1;
FIG. 6 is a top plan view of the device for laser therapy of FIG. 1; and,
FIG. 7 is a bottom plan view of the device for laser therapy of FIG. 1.
The broken lines showing in the drawings are included for the purpose of illustrating unclaimed portions of the device for laser therapy and forms no parts of the claimed design.

1 Claim, 7 Drawing Sheets



(56)

References Cited

U.S. PATENT DOCUMENTS

2015/0079536 A1* 3/2015 Brawn A61N 5/0613
433/29
2017/0312538 A1* 11/2017 Brawn A61C 19/06

* cited by examiner

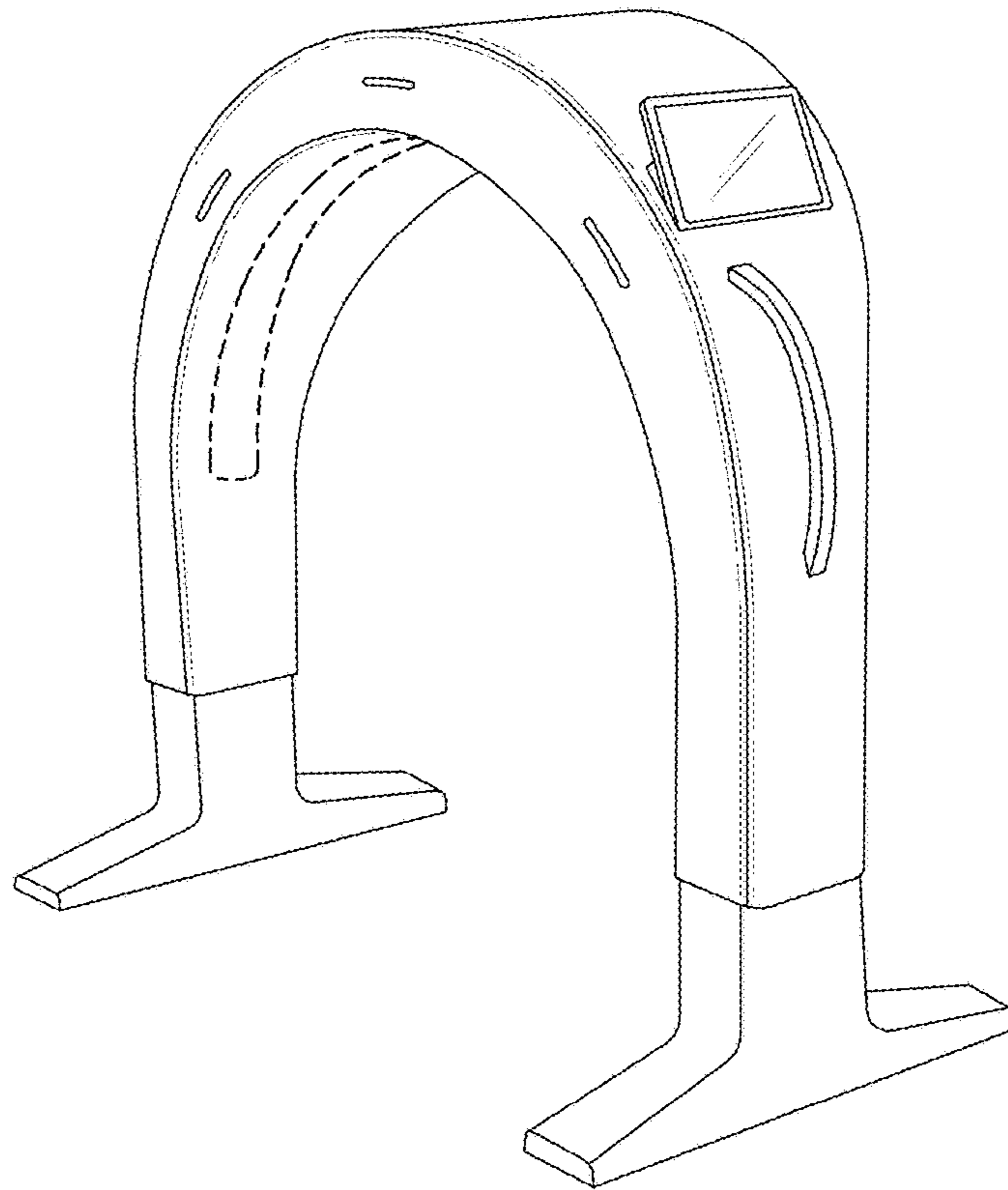


FIG. 1

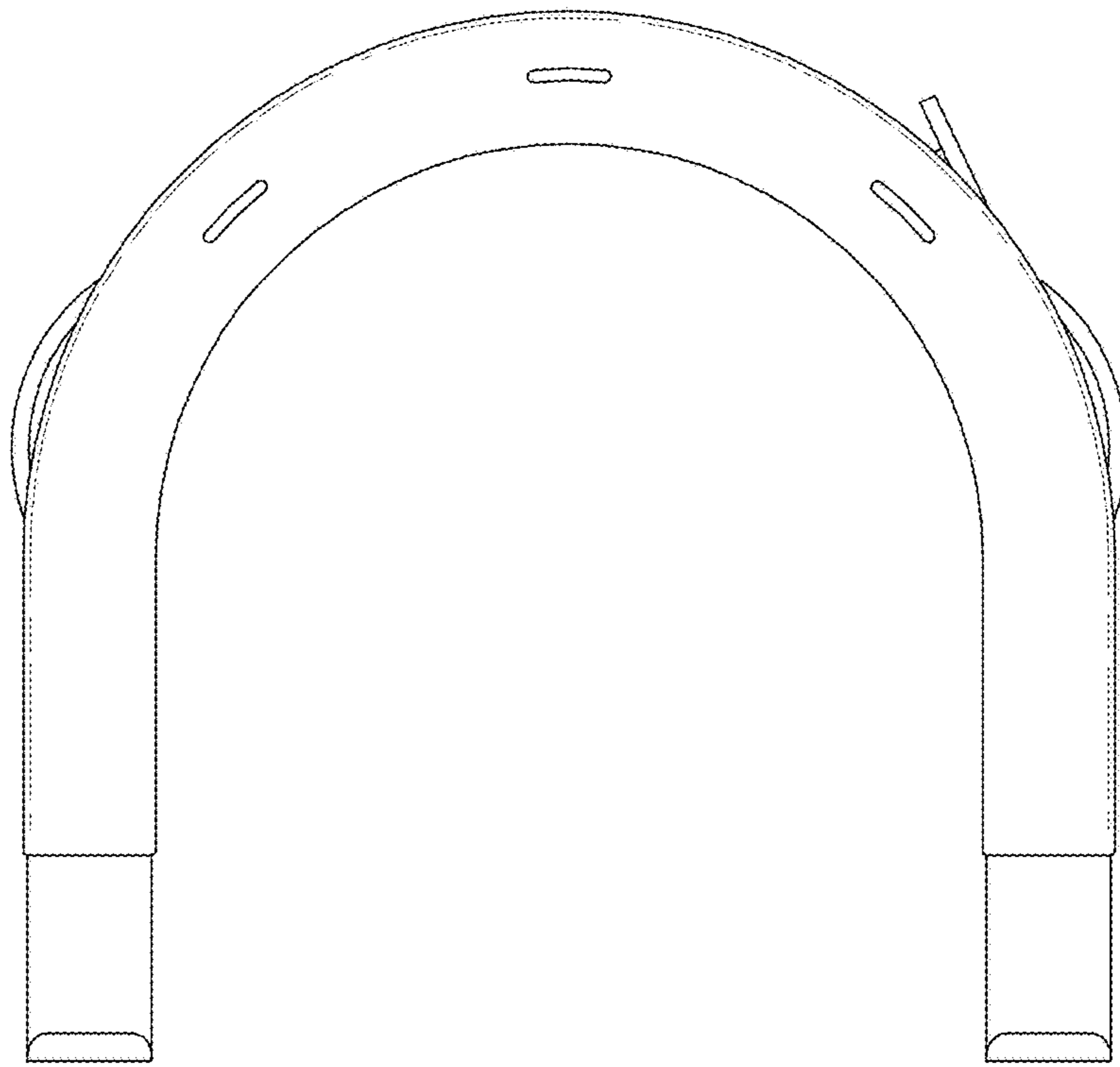


FIG. 2

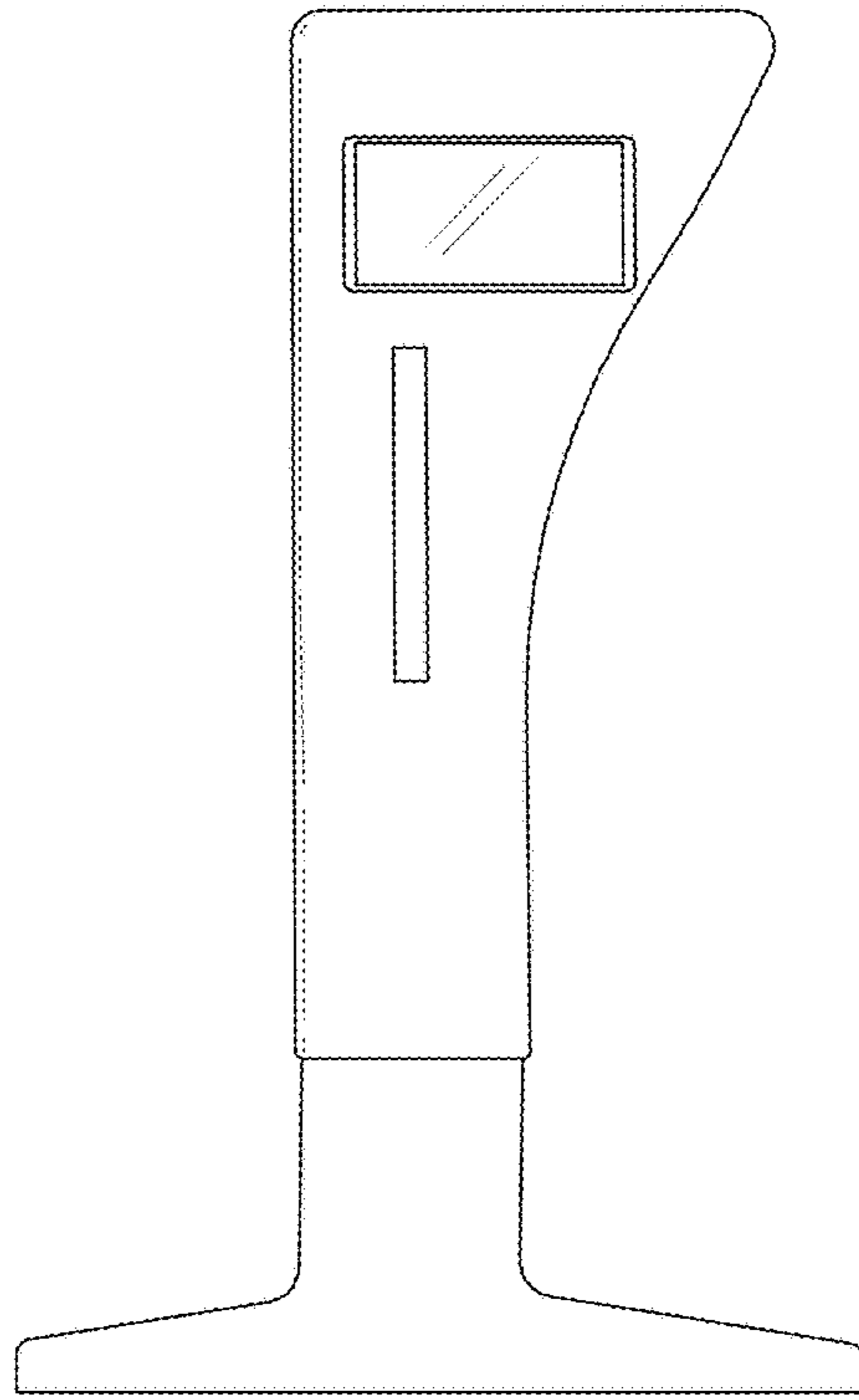


FIG. 3

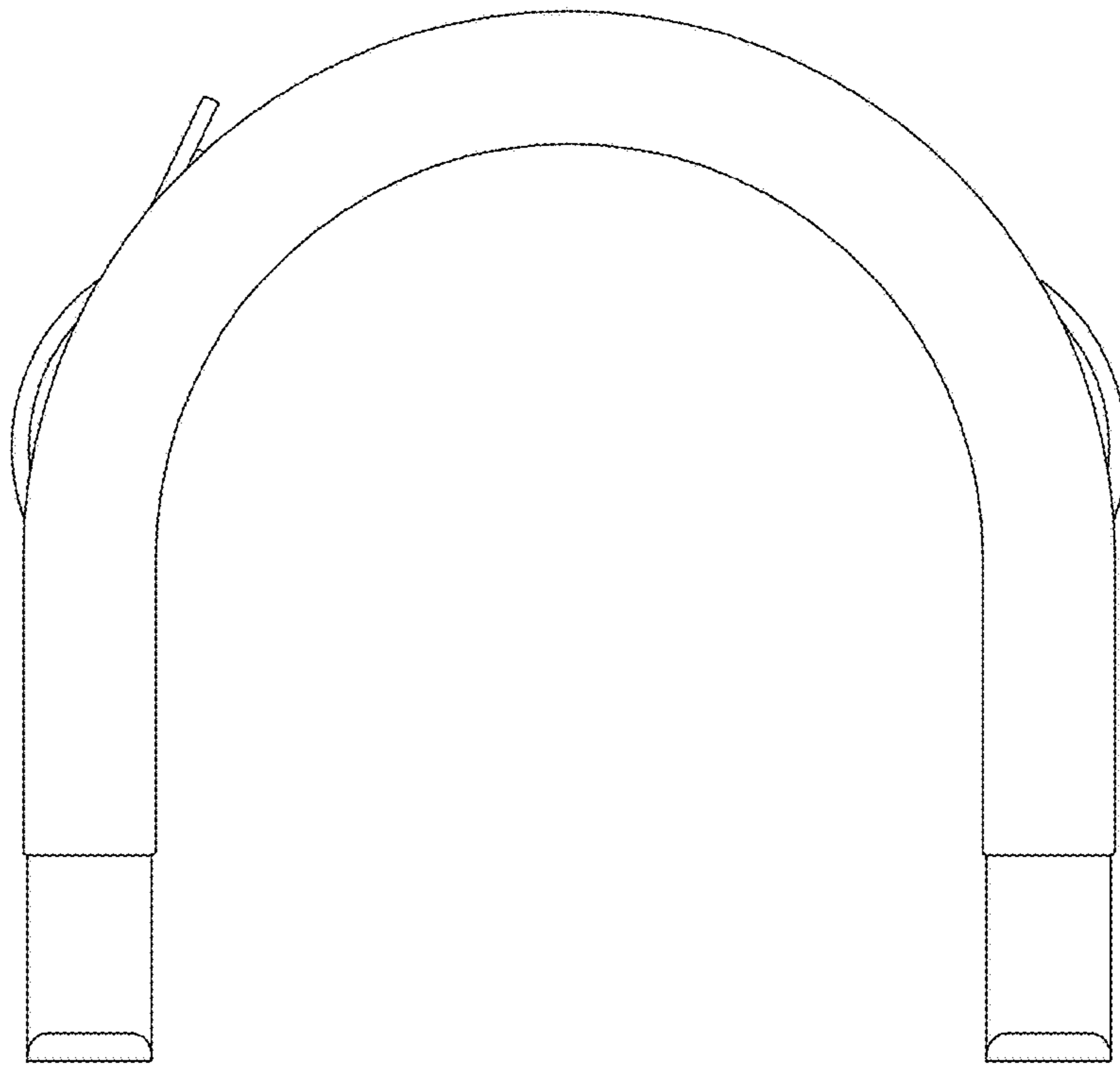


FIG. 4

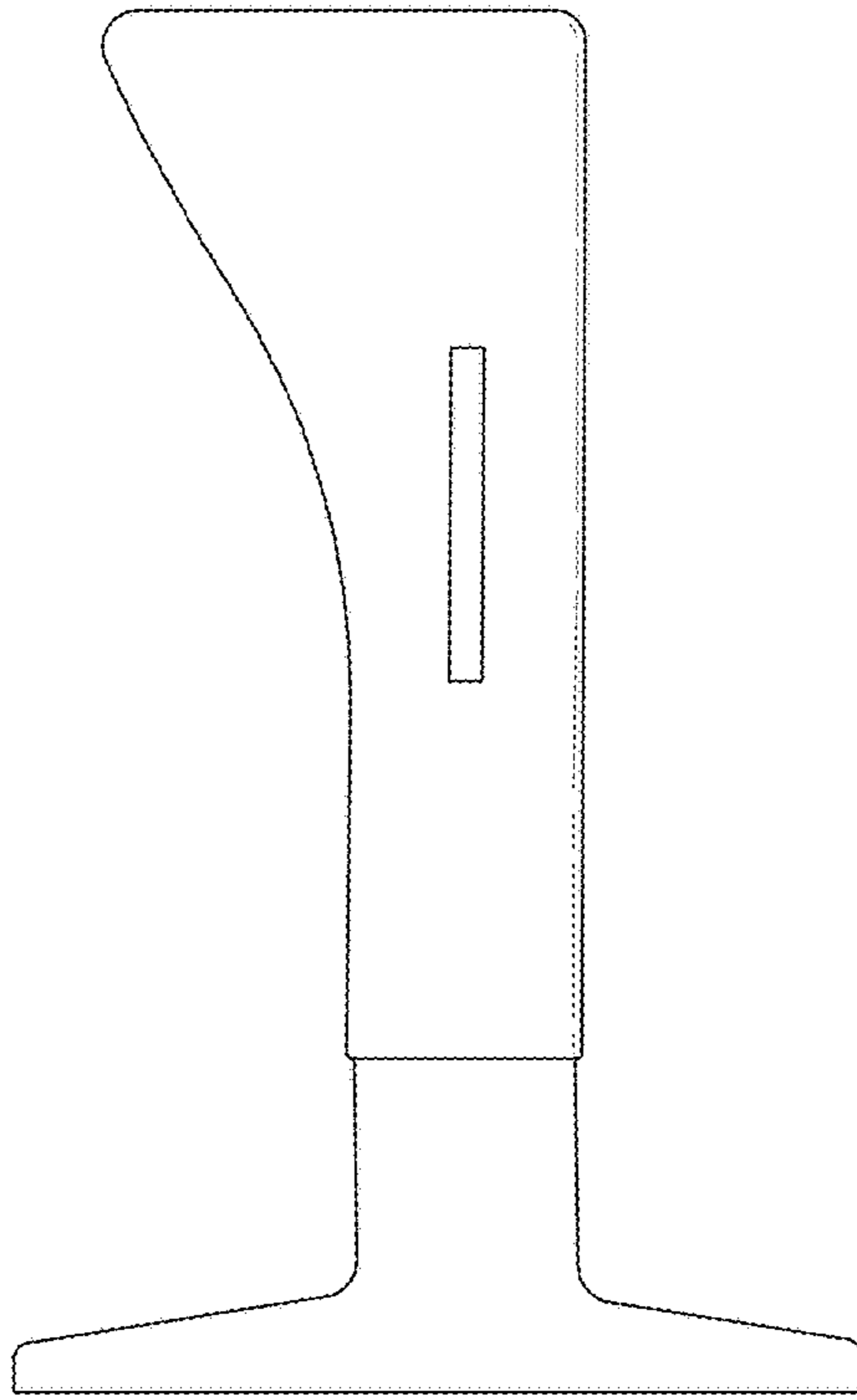


FIG. 5

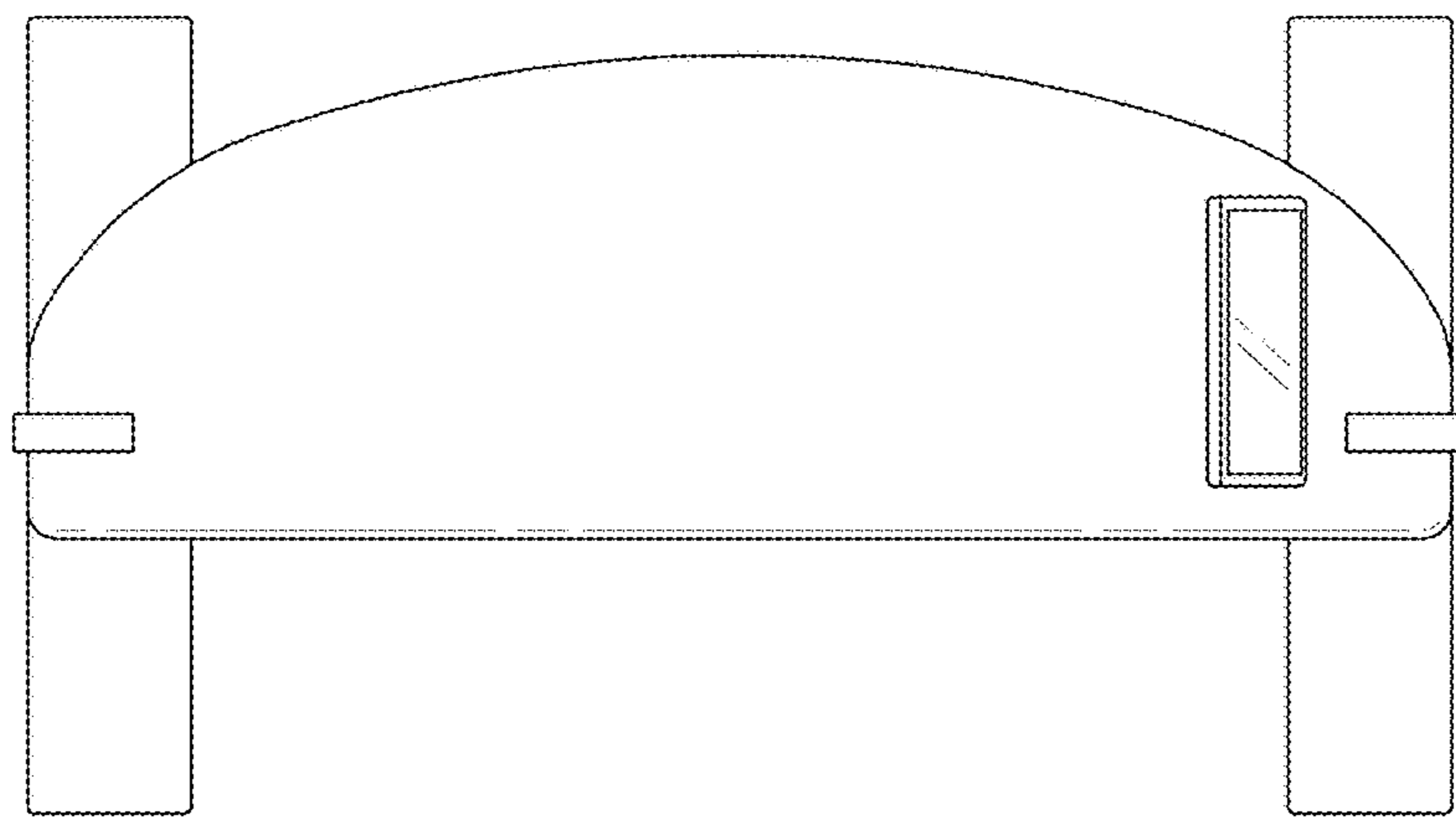


FIG. 6

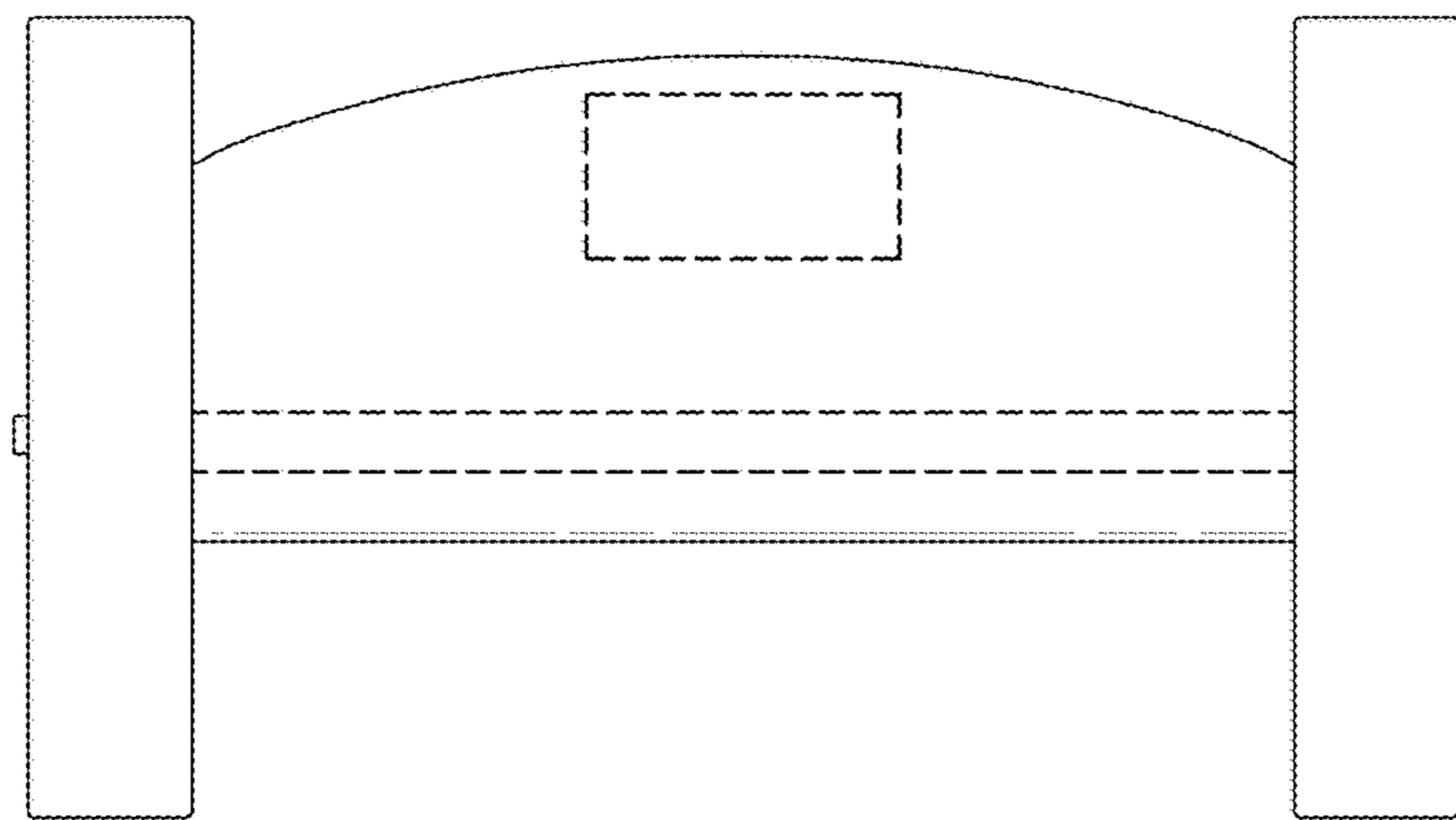


FIG. 7