



US00D860452S

(12) **United States Design Patent** (10) **Patent No.:** **US D860,452 S**  
**Pfeffer et al.** (45) **Date of Patent:** **\*\* Sep. 17, 2019**

(54) **MEDICAL INSTRUMENT**  
(71) Applicant: **KARL STORZ GmbH & Co. KG**,  
Tuttlingen (DE)  
(72) Inventors: **Marian Pfeffer**, Tuttlingen (DE);  
**Frank Doll**, Tuttlingen (DE); **Daniel**  
**Kaercher**, Tuttlingen (DE); **Yann**  
**Thouément**, Guyancourt (FR); **Régis**  
**Besse**, Guyancourt (FR)

7,494,501 B2 \* 2/2009 Ahlberg ..... A61B 17/282  
606/207  
D617,002 S \* 6/2010 Lundkvist ..... D24/227  
D632,788 S \* 2/2011 Thouement ..... D24/133  
D659,826 S \* 5/2012 Dale ..... D24/143  
D664,646 S \* 7/2012 Cuschieri ..... D24/133  
D720,069 S \* 12/2014 Kaercher ..... D24/133  
D736,917 S \* 8/2015 Katsura ..... D24/108  
D742,510 S \* 11/2015 Wagner ..... D24/133

(Continued)

**FOREIGN PATENT DOCUMENTS**

(73) Assignee: **KARL STORZ SE & Co. KG**,  
Tuttlingen (DE)

DE 102004033290 A1 \* 2/2006 ..... A61B 17/1285  
EP 1889579 A2 \* 2/2008 ..... A61B 17/29

(\*\*) Term: **15 Years**

*Primary Examiner* — Susan Bennett Hattan

*Assistant Examiner* — Lauren D McVey

(21) Appl. No.: **29/618,835**

(74) *Attorney, Agent, or Firm* — Muncy, Geissler, Olds &  
Lowe, P.C.

(22) Filed: **Sep. 25, 2017**

(57) **CLAIM**

(30) **Foreign Application Priority Data**

The ornamental design for a medical instrument, as shown  
and described.

Mar. 23, 2017 (EM) ..... 003819564-0001  
Mar. 23, 2017 (EM) ..... 003819564-0002

**DESCRIPTION**

(51) **LOC (12) Cl.** ..... **24-02**

(52) **U.S. Cl.**  
USPC ..... **D24/143**

(58) **Field of Classification Search**  
USPC ..... D24/133, 143  
CPC ..... A61B 17/2841; A61B 2017/2845; A61B  
17/29; A61B 2017/2904; A61B 17/2909;  
A61B 2017/292; A61B 17/28-30; A61B  
18/1442; A61B 18/1445; A61B 2018/126  
See application file for complete search history.

FIG. 1 is a front perspective view of a medical instrument  
according to the present invention;  
FIG. 2 is a front view of the medical instrument of FIG. 1;  
FIG. 3 is a rear view of the medical instrument of FIG. 1;  
FIG. 4 is a left side view of the medical instrument of FIG.  
1;  
FIG. 5 is a right side view of the medical instrument of FIG.  
1;  
FIG. 6 is a top view of the medical instrument of FIG. 1; and,  
FIG. 7 is a bottom view of the medical instrument of FIG.  
1.

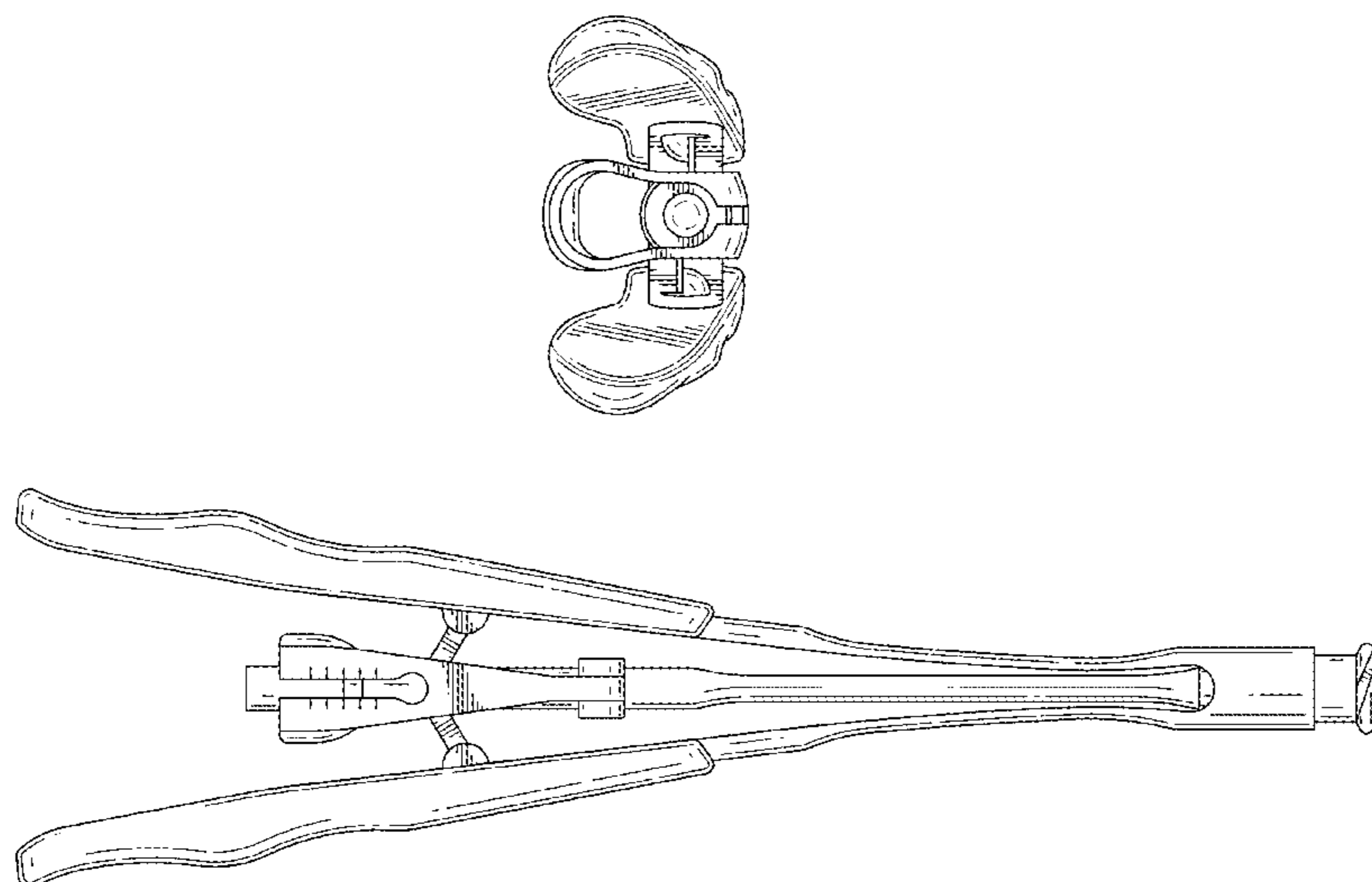
(56) **References Cited**

**U.S. PATENT DOCUMENTS**

5,413,583 A \* 5/1995 Wohlers ..... A61B 17/0469  
606/148  
D481,128 S \* 10/2003 Koros ..... D24/133

The broken lines immediately adjacent to the shaded areas  
depict the bounds of the claimed design, while all other  
broken lines are directed to environment. The broken lines  
form no part of the claimed design.

**1 Claim, 7 Drawing Sheets**



(56)

**References Cited**

U.S. PATENT DOCUMENTS

D825,753 S \* 8/2018 Pfeffer et al. .... D24/143  
D831,763 S \* 10/2018 Assad et al. .... D21/692

\* cited by examiner

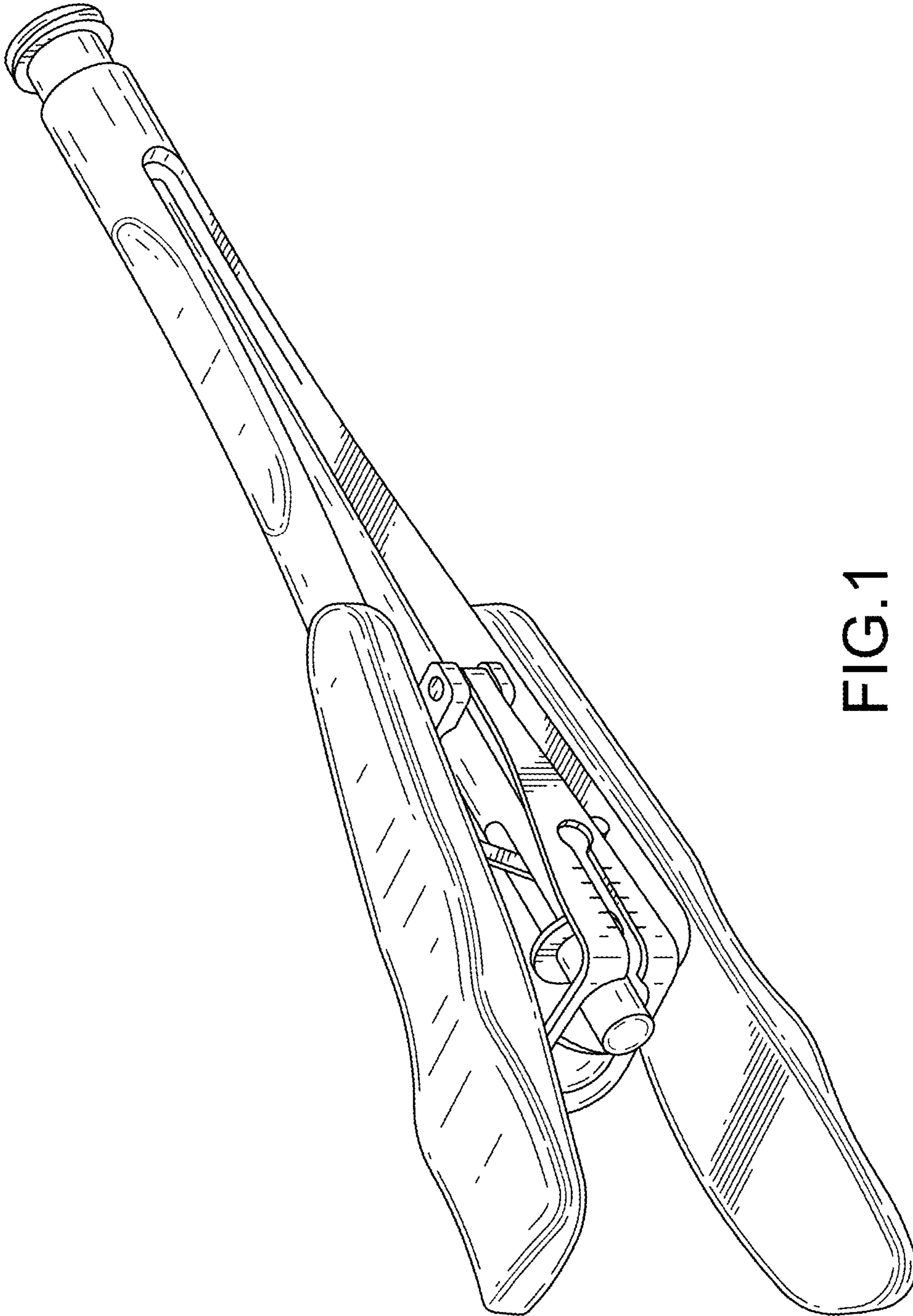


FIG.1

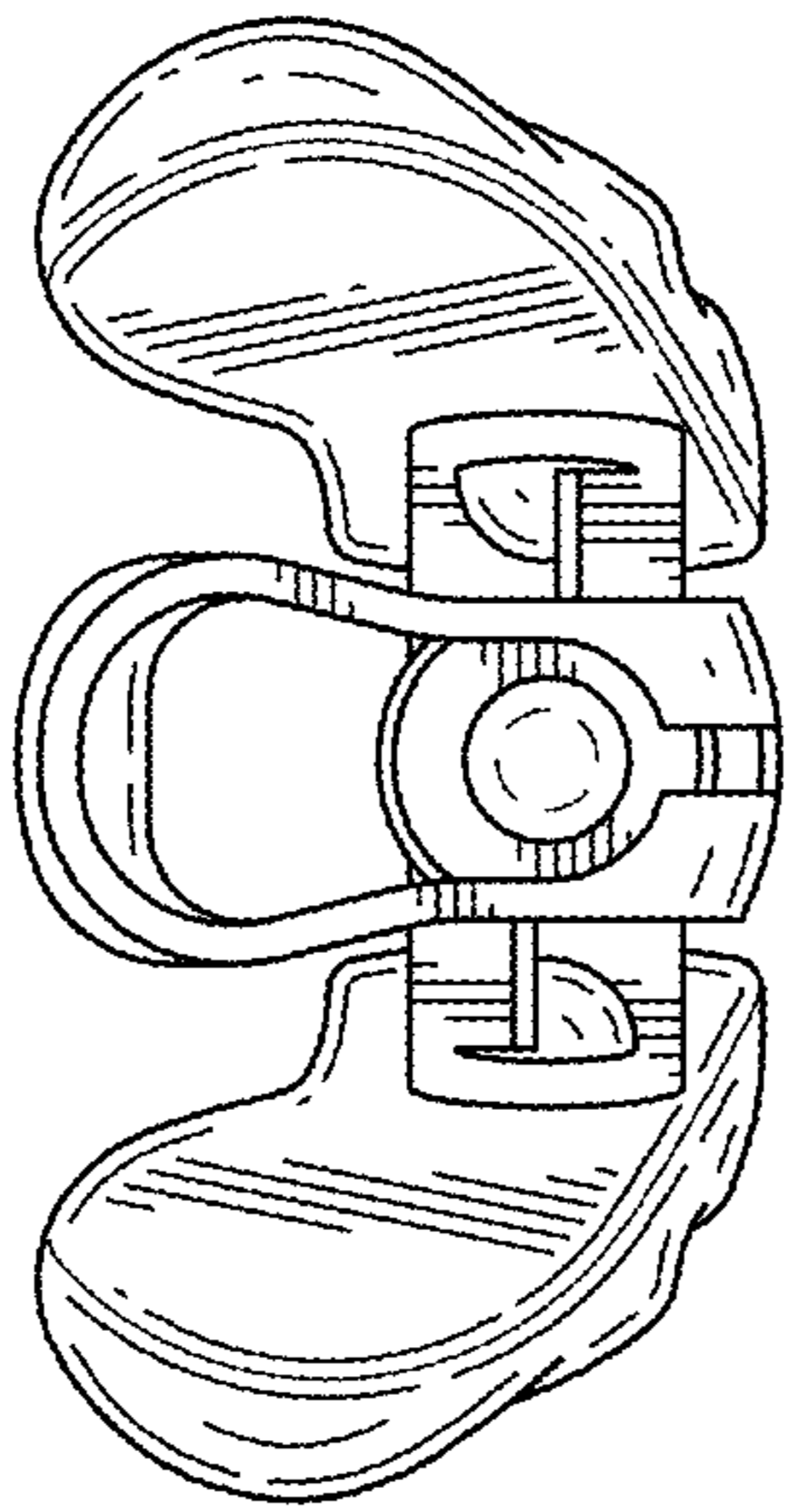


FIG.2

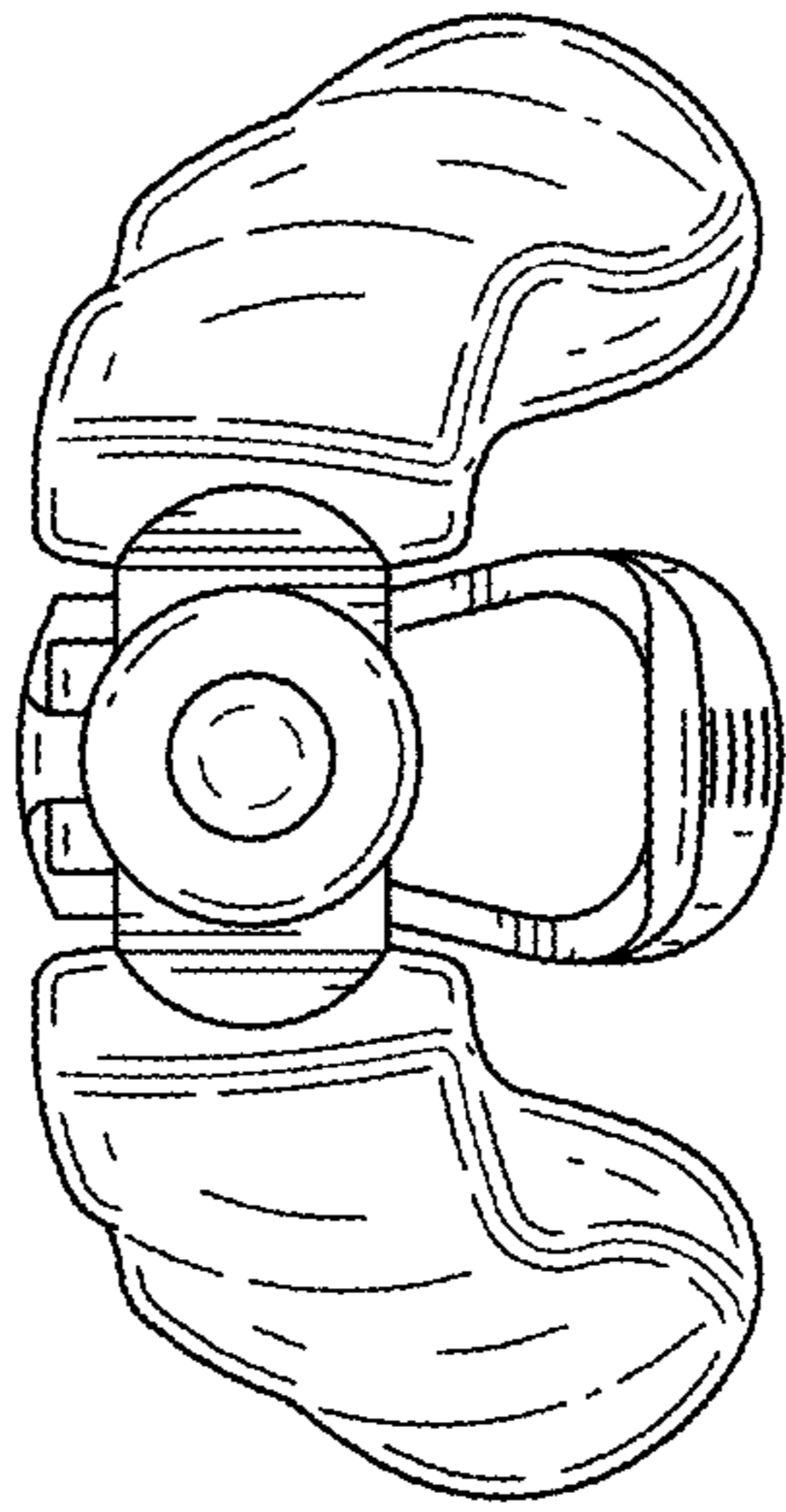


FIG.3

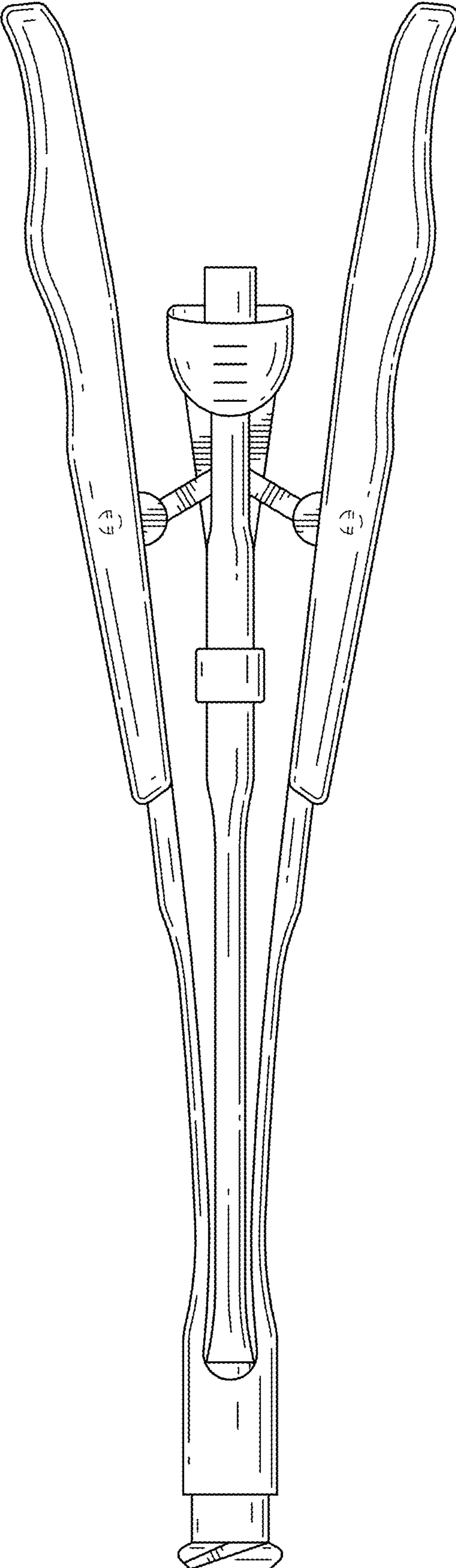


FIG.4

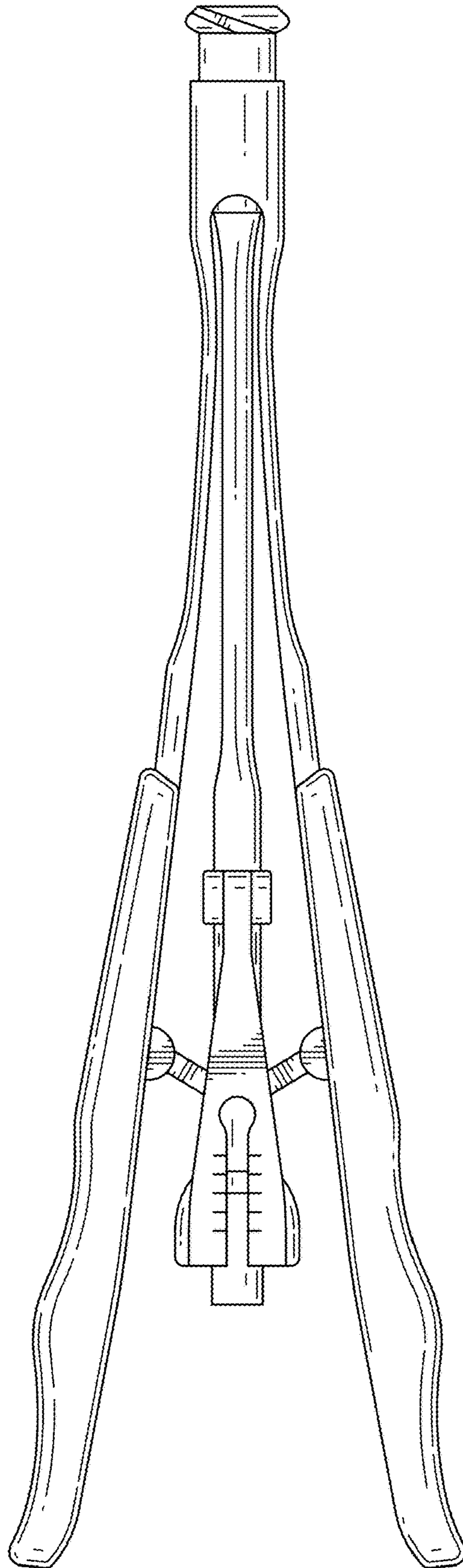


FIG.5

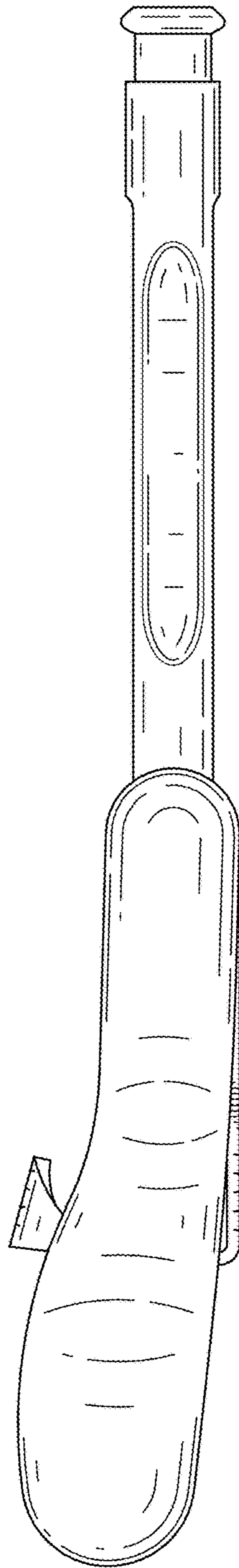


FIG.6



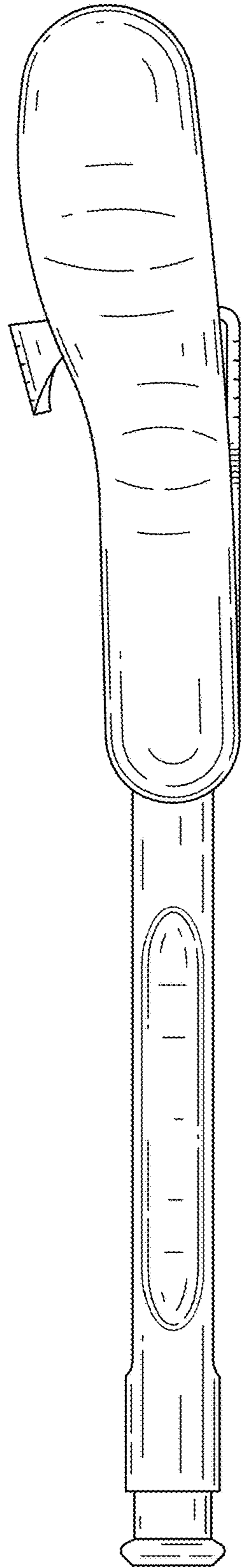


FIG.7