



US00D860450S

(12) **United States Design Patent** (10) **Patent No.:** **US D860,450 S**  
**Asfora et al.** (45) **Date of Patent:** **\*\* Sep. 17, 2019**

(54) **PARALLEL SURGICAL GUIDE SPACER**

(71) Applicant: **SICAGE LLC**, Sioux Falls, SD (US)

(72) Inventors: **Wilson Theophilo Asfora**, Sioux Falls, SD (US); **Daniel S. Savage**, Brecksville, OH (US)

(73) Assignee: **SICAGE LLC**, Sioux Falls, SD (US)

(\*\*) Term: **15 Years**

(21) Appl. No.: **29/677,277**

(22) Filed: **Jan. 18, 2019**

**Related U.S. Application Data**

(62) Division of application No. 29/624,325, filed on Oct. 31, 2017, now Pat. No. Des. 847,336.

(51) **LOC (12) Cl.** ..... **24-02**

(52) **U.S. Cl.**  
USPC ..... **D24/140**

(58) **Field of Classification Search**  
USPC ..... D24/133, 135, 140, 143, 152, 171, 172, D24/176, 231, 155, 167, 101; D19/37; D13/144, 103; D21/391; D17/22-23; D14/480.1, 203.1, 203.3, 507, 218, 432; D1/100, 127; D9/770, 432; D4/138  
CPC .... A61B 17/17; A61B 2017/0256; A61F 2/44  
See application file for complete search history.

(56) **References Cited**

**U.S. PATENT DOCUMENTS**

D326,156 S	5/1992	Martinez
5,144,946 A	9/1992	Weinberg
D337,820 S	7/1993	Hooper
5,676,545 A	10/1997	Jones
D389,639 S	1/1998	Priebe
5,725,581 A	3/1998	Branemark
5,735,898 A	4/1998	Branemark
D395,082 S	6/1998	Edgson

D406,642 S	3/1999	Remes
6,135,772 A	10/2000	Jones
6,149,686 A	11/2000	Kuslich
6,287,343 B1	9/2001	Kuslich

(Continued)

**OTHER PUBLICATIONS**

Sicage System Surgical Technique Brochure, 2017, [online], [site visited Mar. 18, 2019]. Retrieved from url:http://sicage.com/wp-content/uploads/2018/01/ED0016RA\_Final.pdf (Year: 2017).\*

*Primary Examiner* — Jeffrey D Asch

*Assistant Examiner* — Tracey J Bell

(74) *Attorney, Agent, or Firm* — Dorsey & Whitney LLP

(57) **CLAIM**

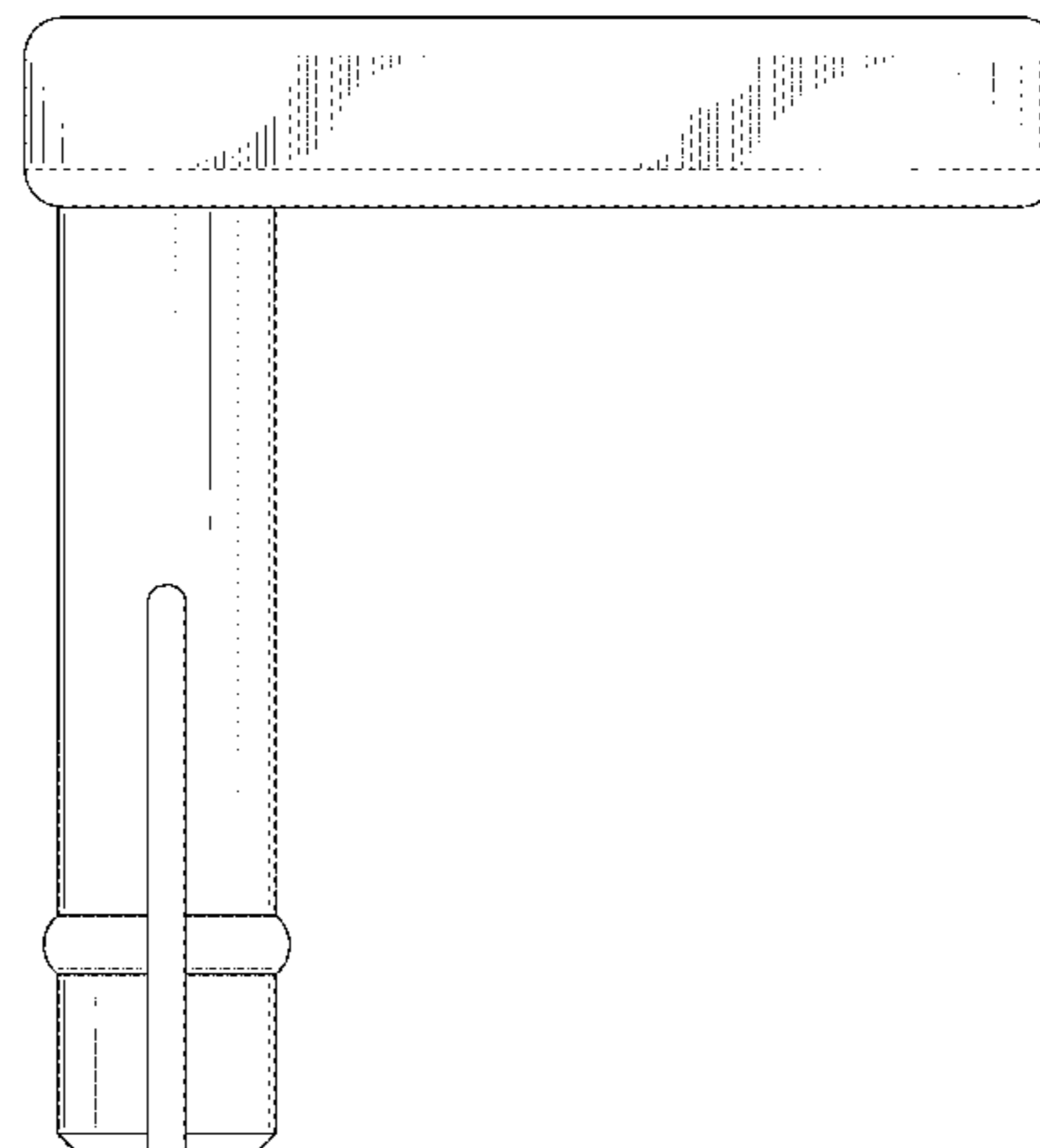
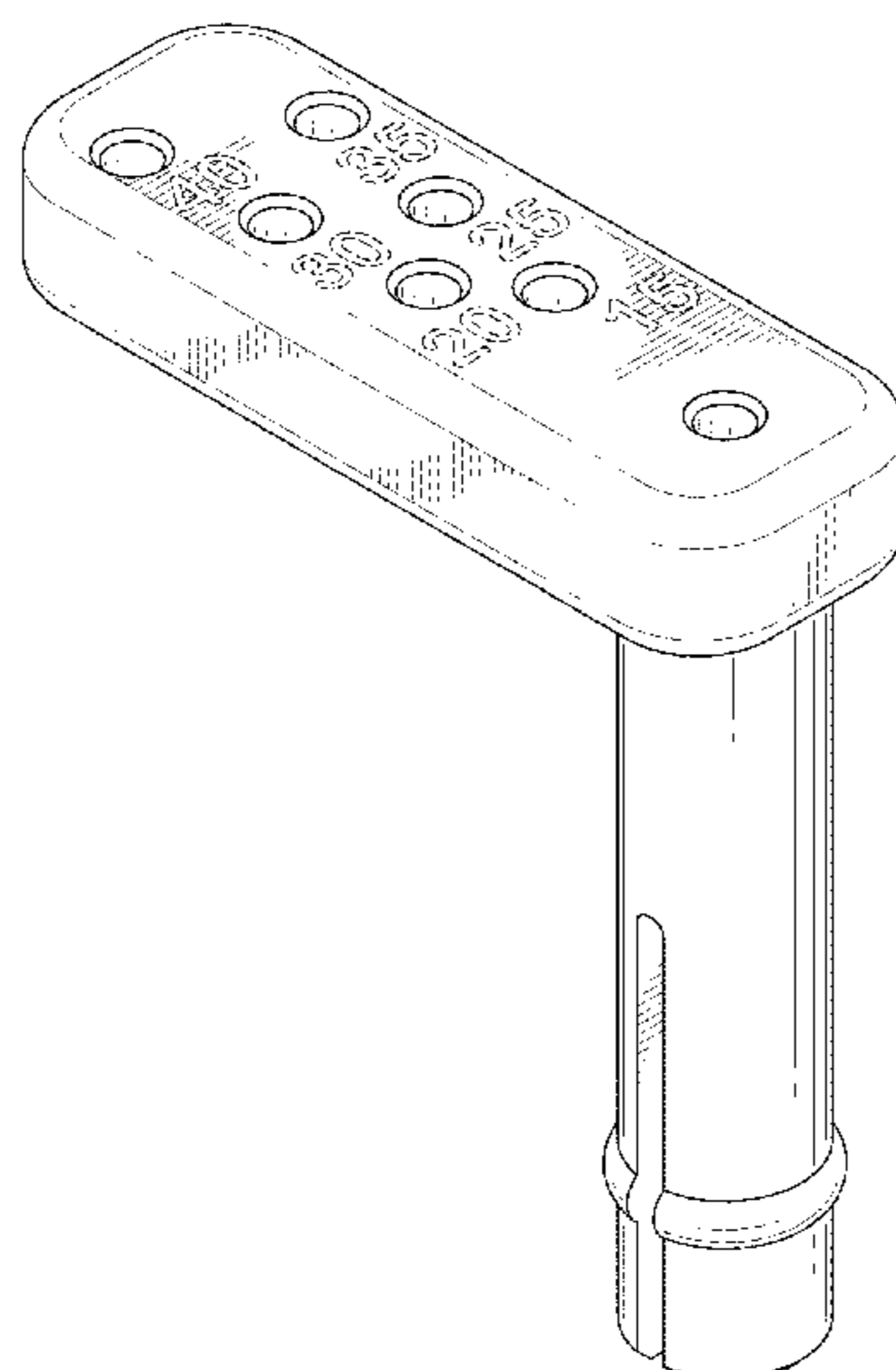
The ornamental design for a parallel surgical guide spacer, as shown and described.

**DESCRIPTION**

FIG. 1 is a front, left perspective-view of an embodiment of a parallel surgical guide spacer; FIG. 2 is a left-side view thereof; FIG. 3 is a right-side view thereof; FIG. 4 is a top view thereof; FIG. 5 is a bottom view thereof; FIG. 6 is a front view thereof; FIG. 7 is a back view thereof; FIG. 8 is a front, left perspective-view of another embodiment of a parallel surgical guide spacer; FIG. 9 is a left-side view thereof; FIG. 10 is a right-side view thereof; FIG. 11 is a top view thereof; FIG. 12 is a bottom view thereof; FIG. 13 is a front view thereof; and, FIG. 14 is a back view thereof.

The broken lines illustrate environmental structure and form no part of the embodiment in which they are shown.

**1 Claim, 14 Drawing Sheets**



(56)

References Cited

U.S. PATENT DOCUMENTS

6,342,055 B1 1/2002 Eisermann  
 6,391,058 B1 5/2002 Kuslich  
 6,517,542 B1 2/2003 Papay  
 6,554,830 B1 4/2003 Chappius  
 6,565,572 B2 5/2003 Chappius  
 6,604,945 B1 8/2003 Jones  
 6,755,835 B2 6/2004 Schultheiss  
 7,354,442 B2 4/2008 Sasso  
 D596,758 S 7/2009 Constable  
 7,575,572 B2 8/2009 Sweeney  
 7,608,062 B2 10/2009 Sweeney  
 7,717,947 B1 5/2010 Wilberg  
 D629,517 S 12/2010 Jauch  
 D634,428 S 3/2011 Anderson  
 8,062,270 B2 11/2011 Sweeney  
 D667,548 S 9/2012 Brannon  
 8,303,602 B2 11/2012 Biedermann  
 8,382,808 B2 2/2013 Wilberg  
 D678,187 S 3/2013 Huang  
 D686,491 S 7/2013 Kuo  
 8,574,273 B2 11/2013 Russell  
 D705,719 S 5/2014 Wong  
 D708,191 S 7/2014 An  
 8,808,337 B2 8/2014 Sweeney  
 8,870,836 B2 10/2014 Sweeney  
 8,956,369 B2 2/2015 Millett  
 D736,380 S 8/2015 Van Dalen  
 9,131,970 B2 9/2015 Kang  
 9,138,245 B2 9/2015 Mebarak  
 9,173,692 B1 11/2015 Kaloostian  
 9,198,702 B2 12/2015 Biederman  
 D748,786 S 2/2016 Bailey  
 9,271,742 B2 3/2016 Asfora  
 9,271,743 B2 3/2016 Asfora  
 9,295,488 B2 3/2016 Asfora  
 9,326,779 B2 5/2016 Dorawa  
 9,326,801 B2 5/2016 Poulos  
 9,333,018 B2 5/2016 Russell  
 D767,042 S 9/2016 Martin  
 9,445,852 B2 9/2016 Sweeney  
 9,504,526 B2 11/2016 Hanson  
 9,526,548 B2 12/2016 Asfora

D778,156 S 2/2017 Follett  
 9,566,100 B2 2/2017 Asfora  
 9,616,205 B2 4/2017 Nebosky  
 9,642,656 B2 5/2017 Kotuljac  
 D790,964 S 7/2017 Akana  
 D802,536 S 11/2017 Shang  
 D804,334 S 12/2017 Becker  
 9,907,582 B1 3/2018 Olea  
 D831,479 S 10/2018 Lylyk  
 10,111,650 B2 \* 10/2018 Nel ..... A61B 17/02  
 D847,336 S \* 4/2019 Asfora ..... D24/140  
 D850,616 S \* 6/2019 Asfora ..... D24/140  
 2004/0049284 A1 3/2004 German  
 2004/0049286 A1 3/2004 German  
 2005/0071008 A1 3/2005 Kirschman  
 2005/0203532 A1 9/2005 Ferguson  
 2005/0228398 A1 10/2005 Rathbun  
 2007/0233123 A1 10/2007 Ahmad  
 2011/0137352 A1 6/2011 Biedermann  
 2011/0213426 A1 9/2011 Yedlicka  
 2012/0089195 A1 4/2012 Yedlicka  
 2013/0065698 A1 3/2013 Biedermann  
 2013/0245602 A1 9/2013 Sweeney  
 2013/0267960 A1 10/2013 Groh  
 2014/0012340 A1 1/2014 Beck  
 2014/0046381 A1 2/2014 Asfora  
 2014/0276857 A1 9/2014 Major  
 2014/0277188 A1 9/2014 Poulos  
 2015/0230844 A1 8/2015 Ellis  
 2015/0272646 A1 10/2015 Russell  
 2015/0313658 A1 11/2015 Kolb  
 2016/0000489 A1 1/2016 Kaloostian  
 2016/0008044 A1 1/2016 Sweeney  
 2016/0143671 A1 5/2016 Jimenez  
 2016/0143742 A1 5/2016 Asfora  
 2016/0151100 A1 6/2016 Biedermann  
 2016/0220291 A1 8/2016 Russell  
 2016/0310188 A1 10/2016 Marino  
 2017/0181759 A1 6/2017 Bouduban  
 2018/0072488 A1 3/2018 Benoit  
 2018/0185038 A1 7/2018 Hero  
 2019/0125370 A1 \* 5/2019 Asfora ..... A61B 17/1757  
 2019/0125408 A1 \* 5/2019 Asfora ..... A61B 17/8625

\* cited by examiner

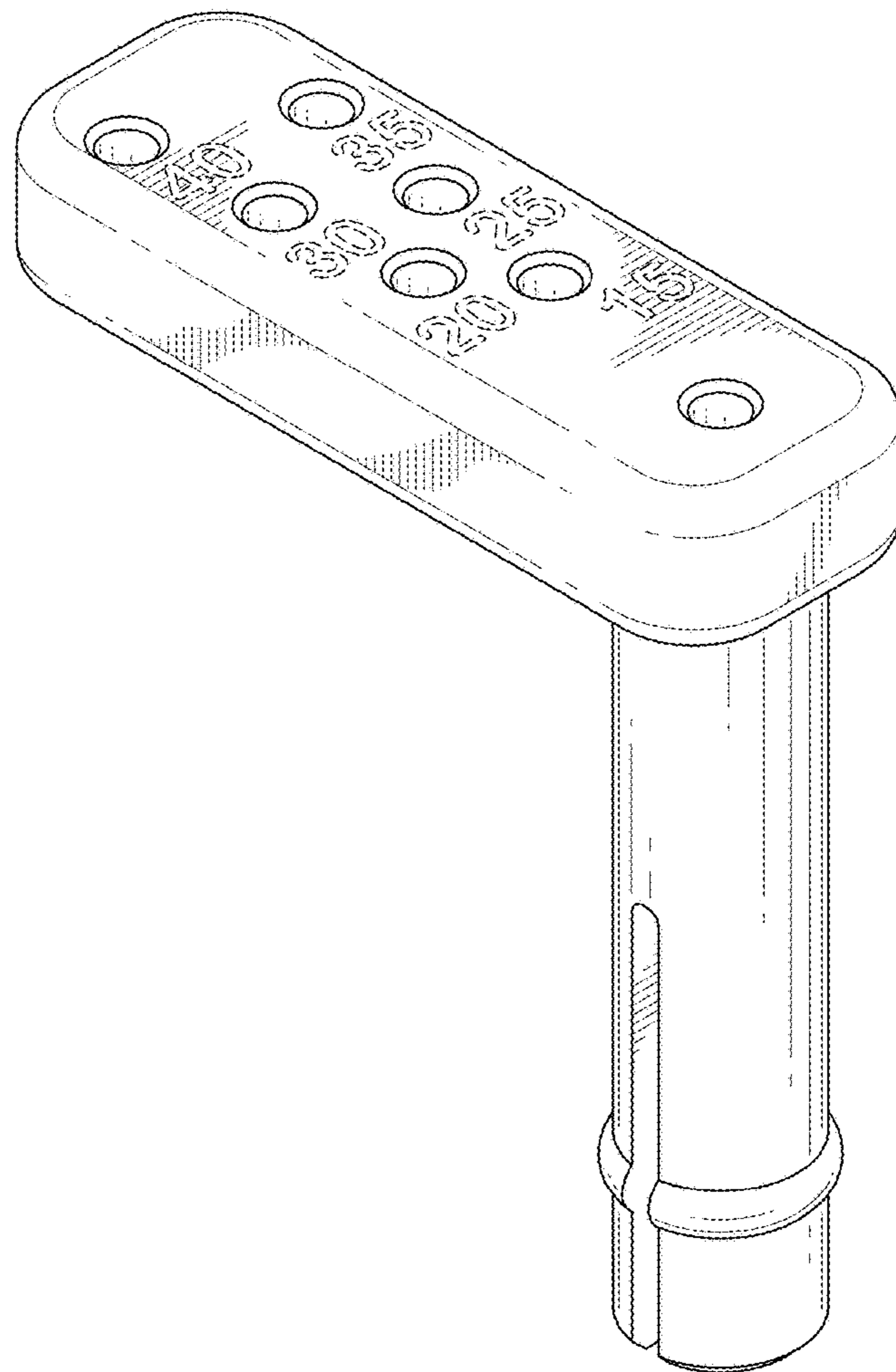


FIG. 1

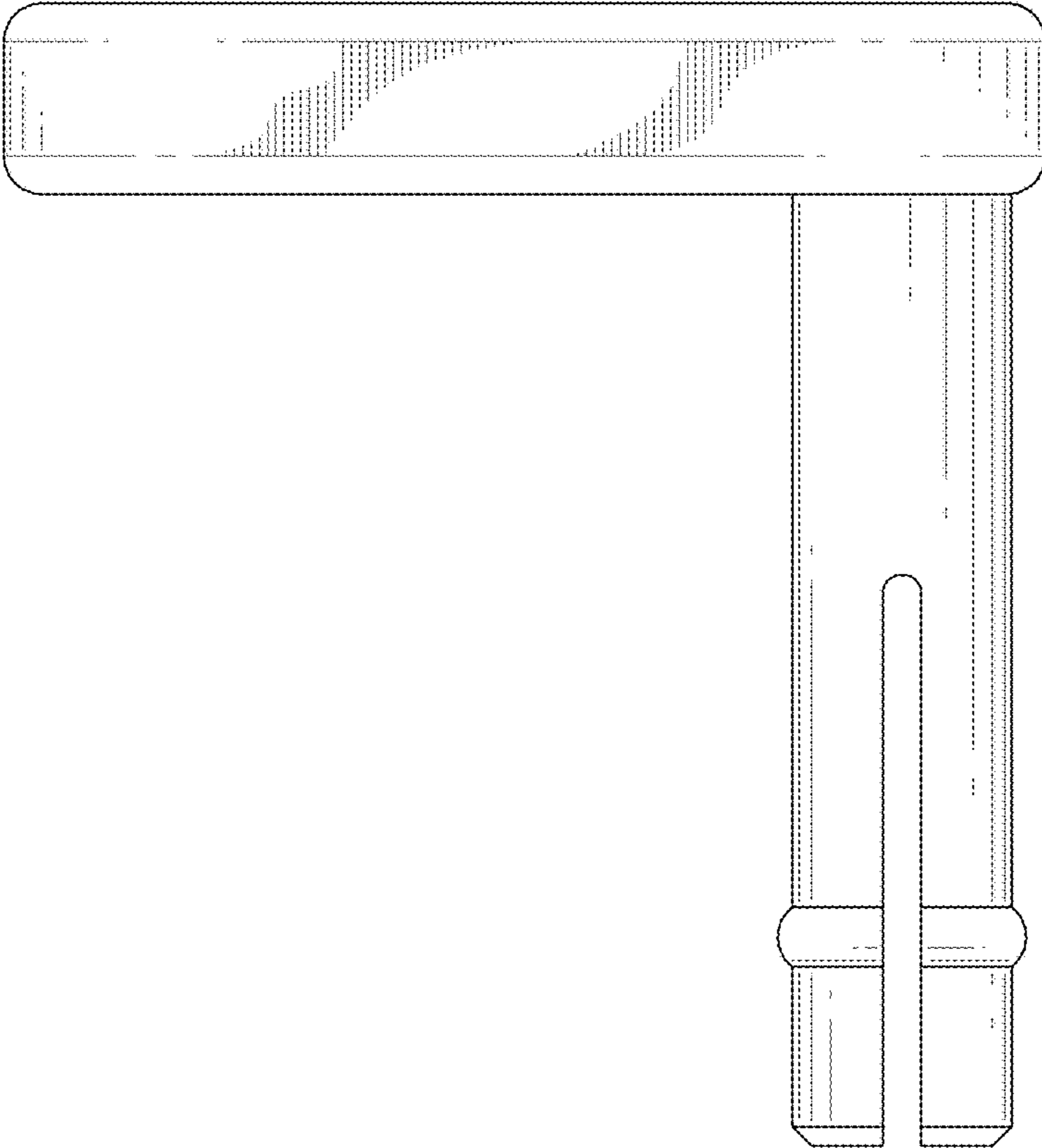


FIG.2

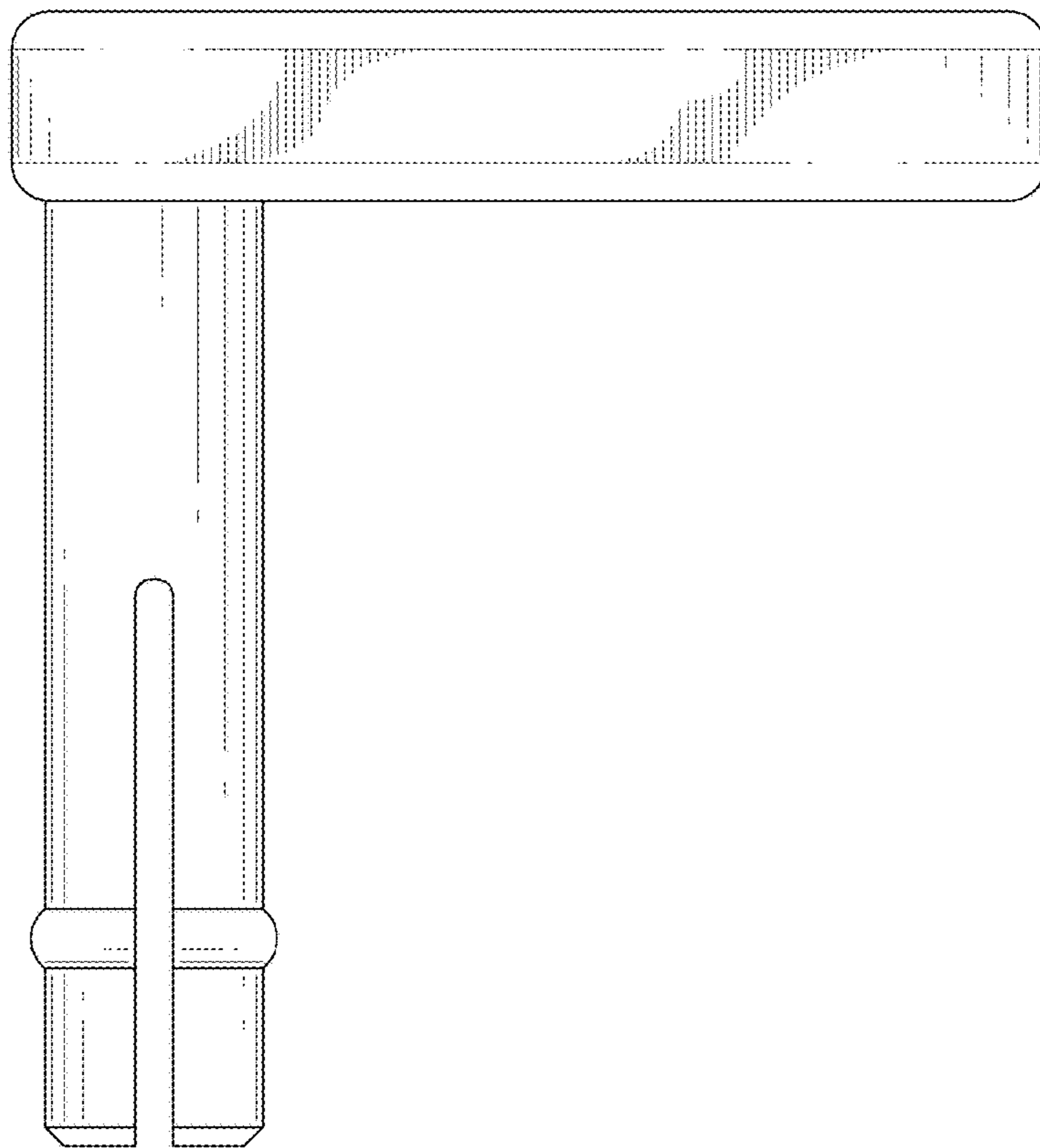


FIG. 3

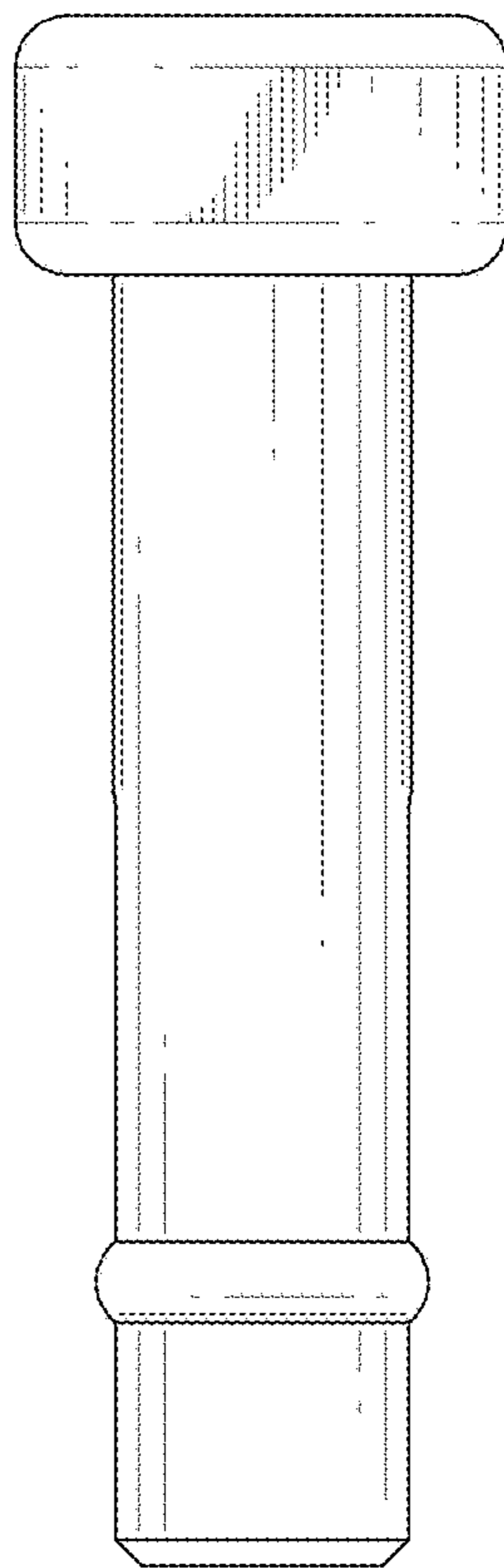


FIG. 4

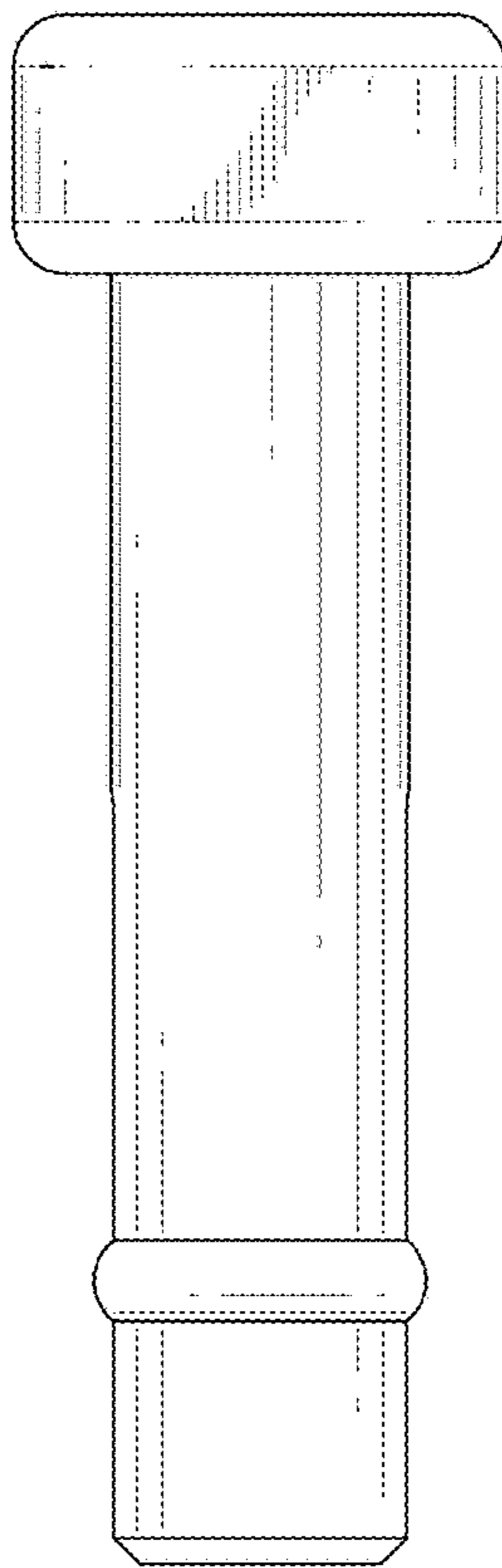


FIG. 5

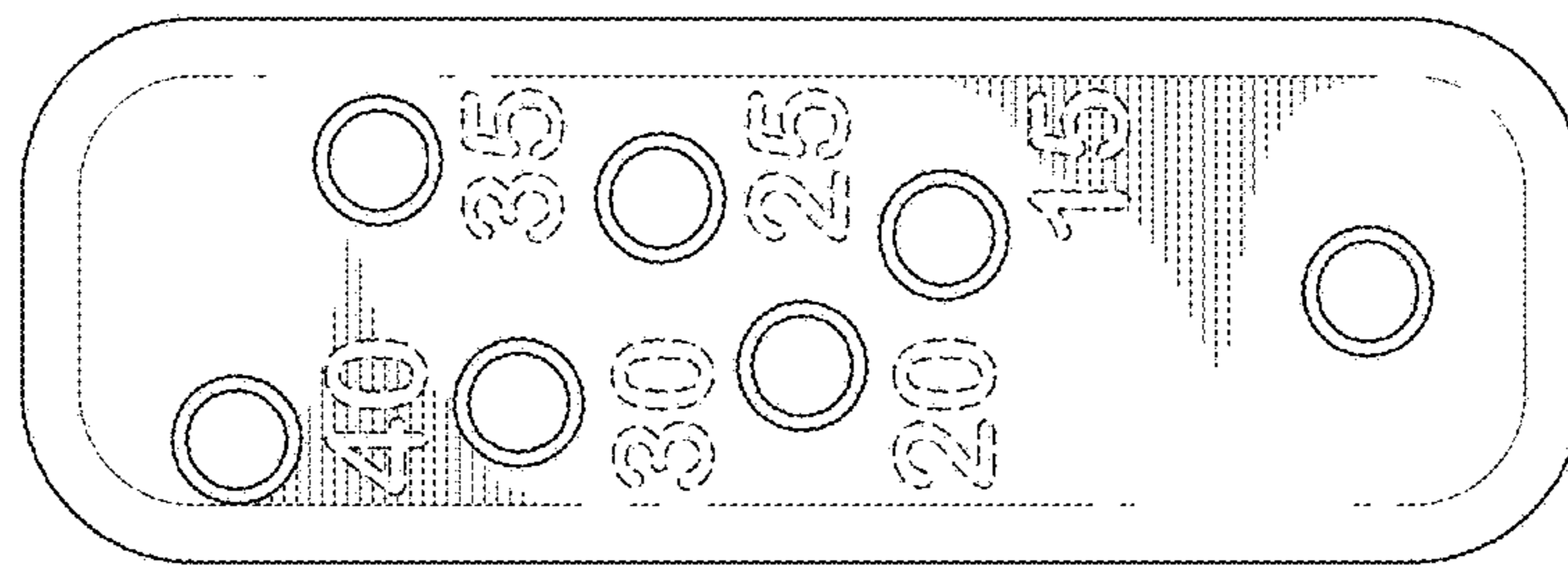


FIG. 6



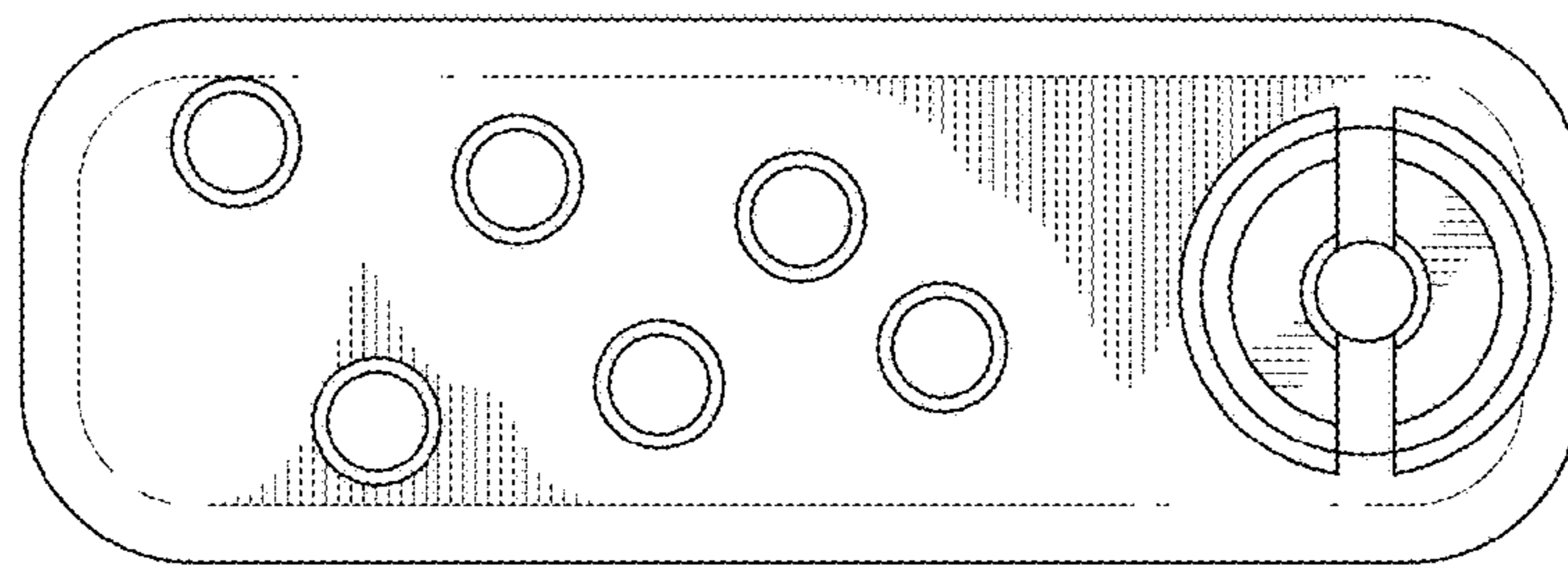


FIG. 7

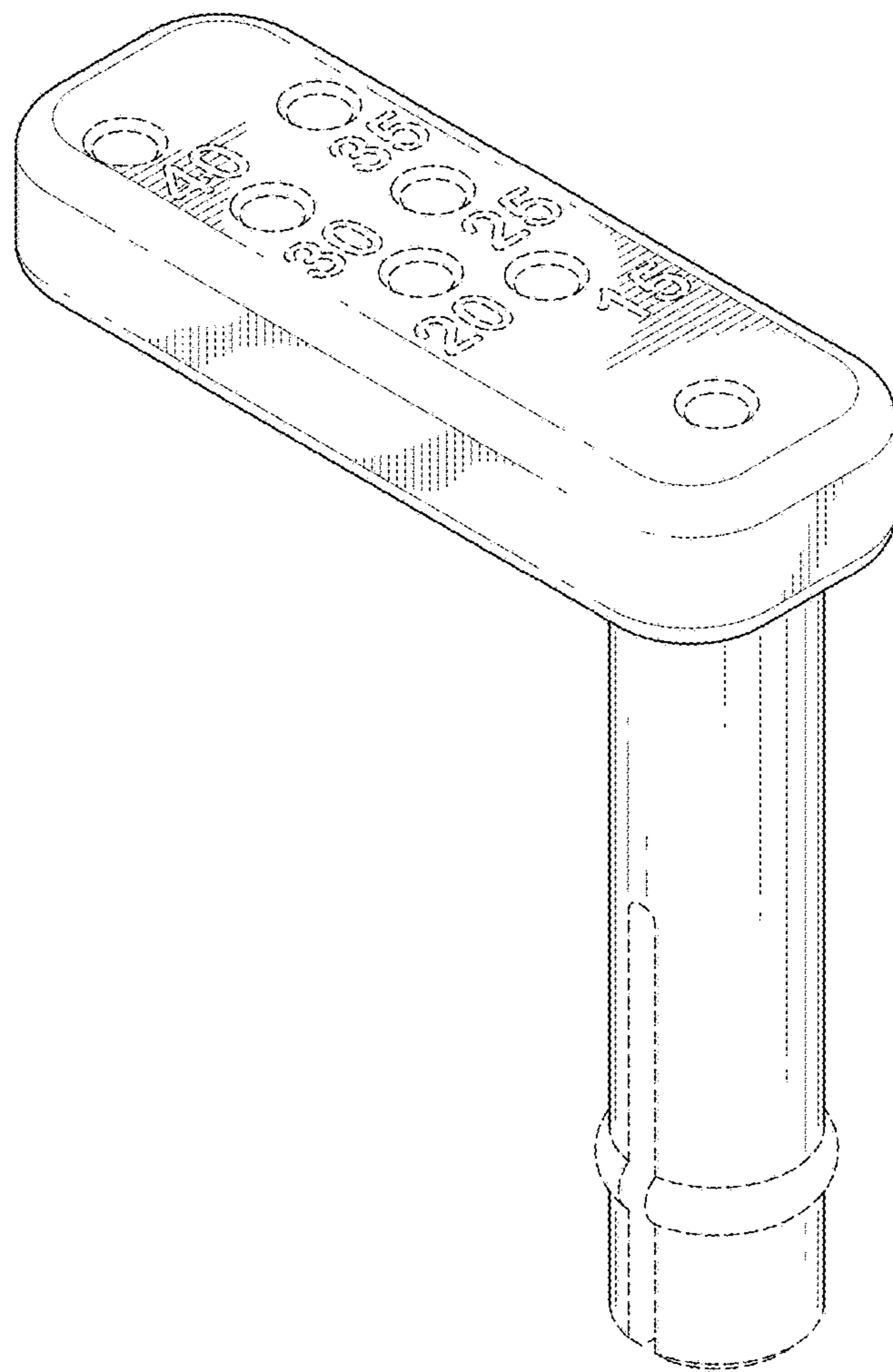


FIG.8

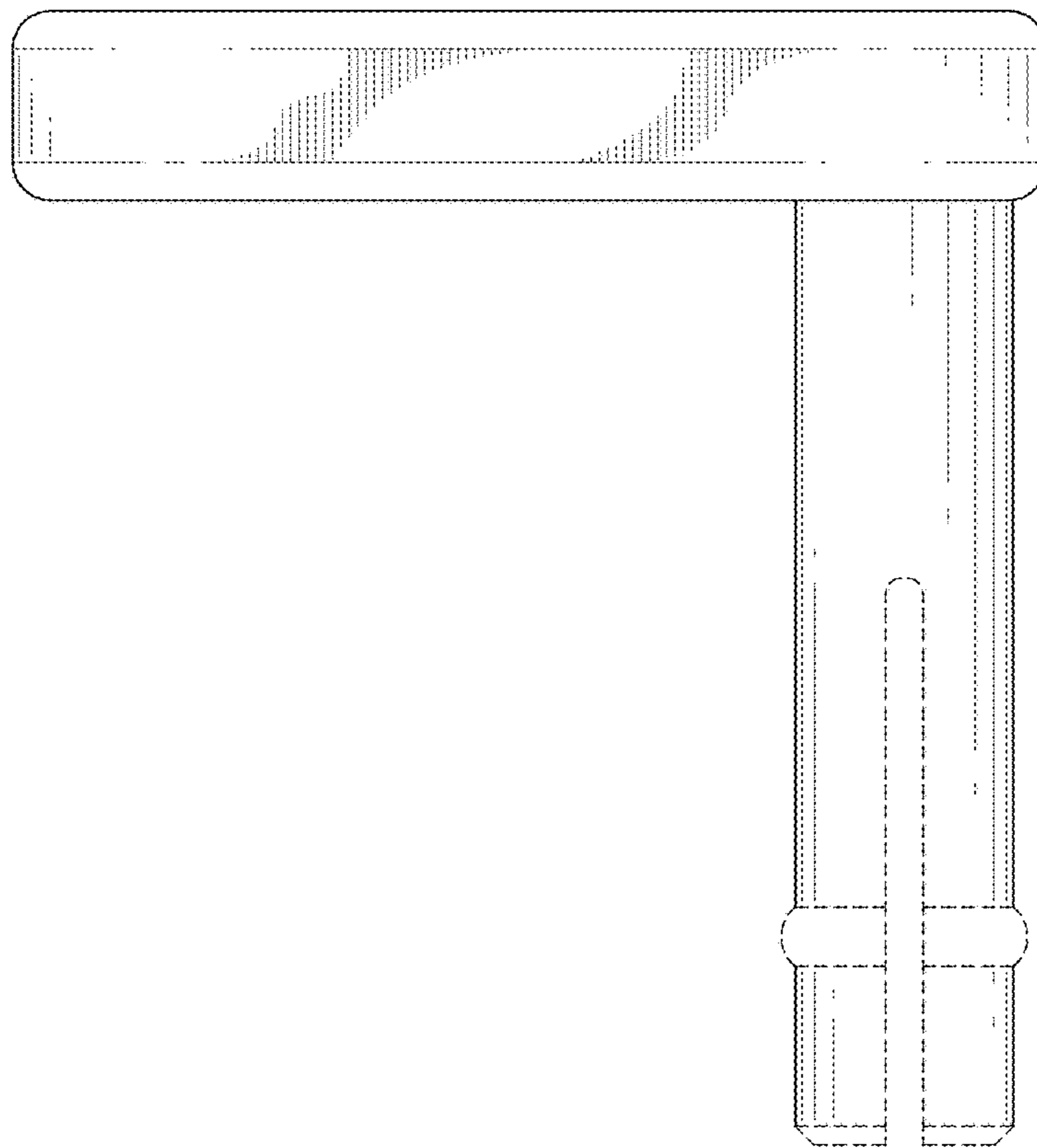


FIG. 9

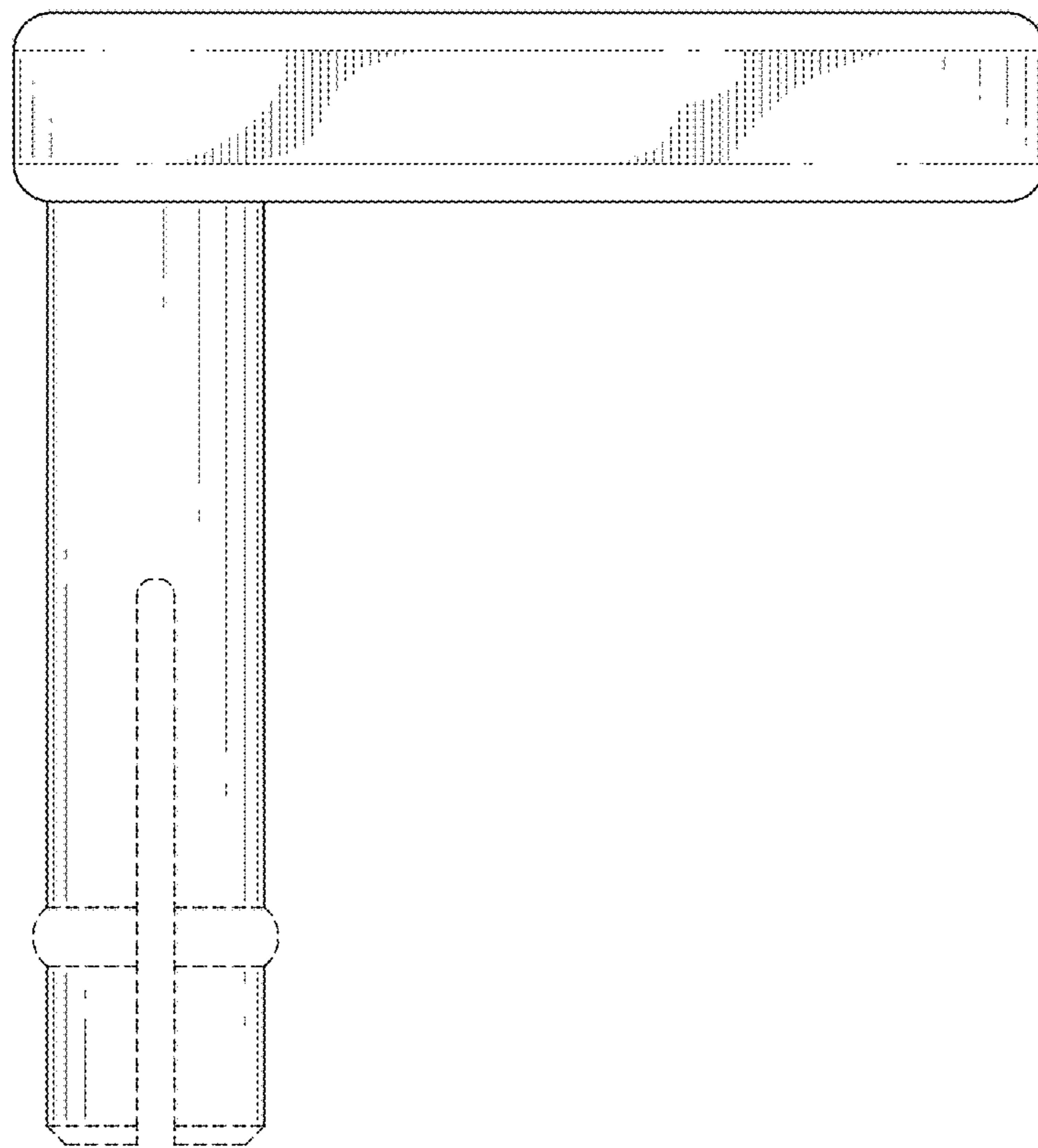


FIG. 10

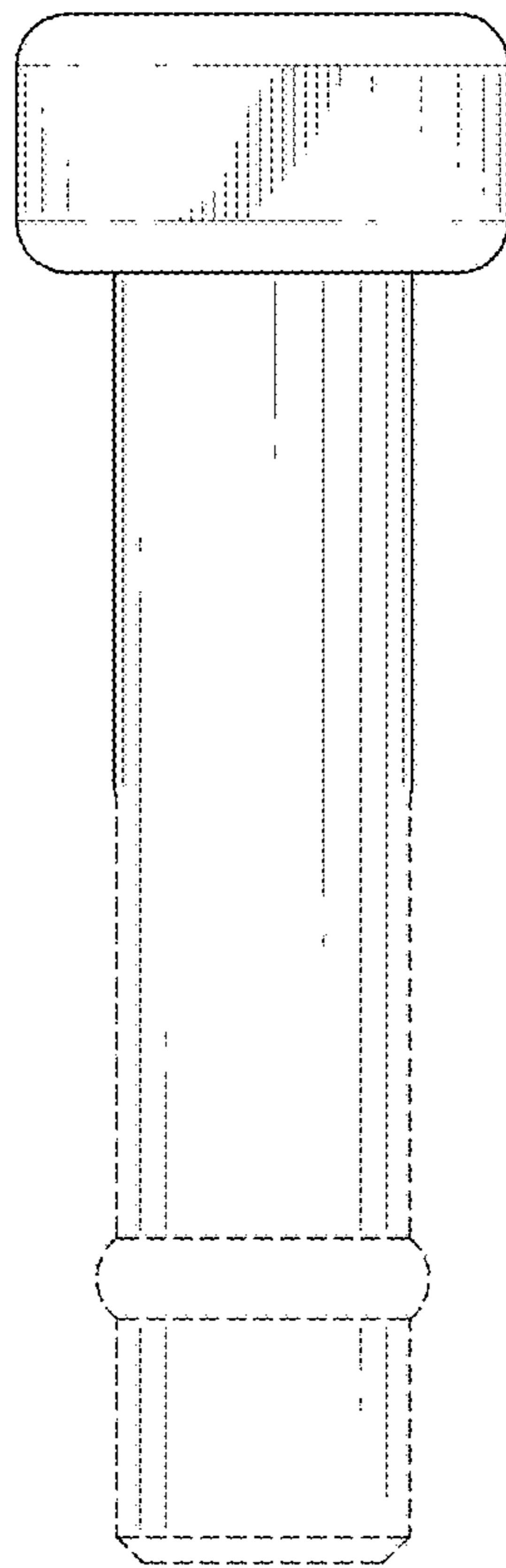


FIG. 11

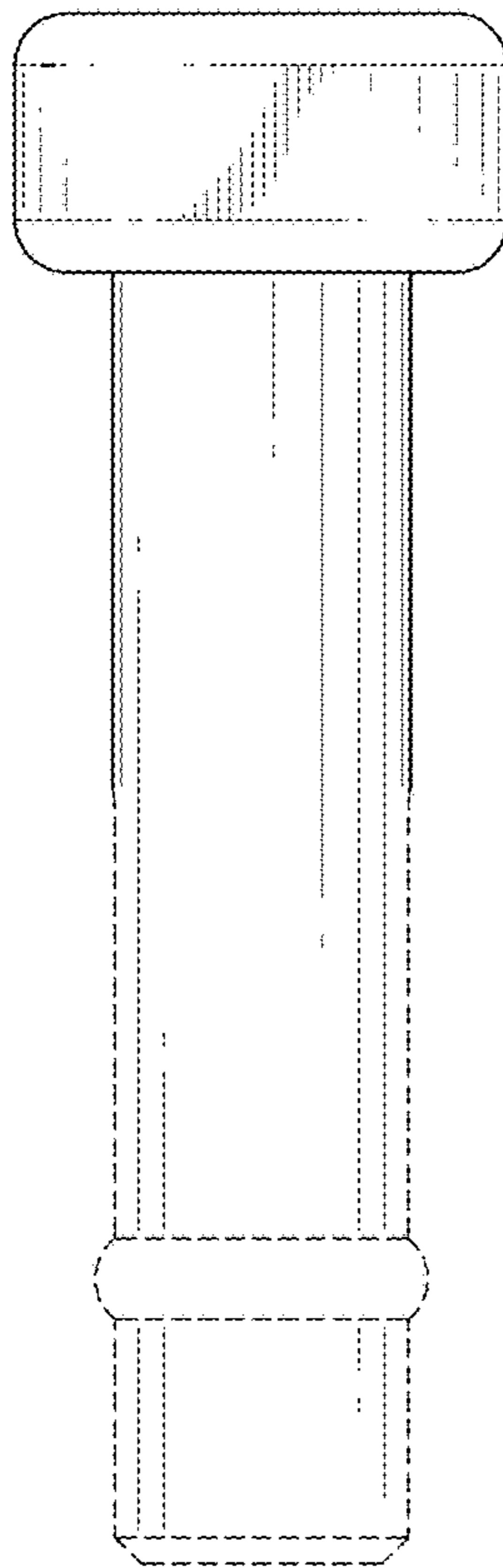


FIG. 12

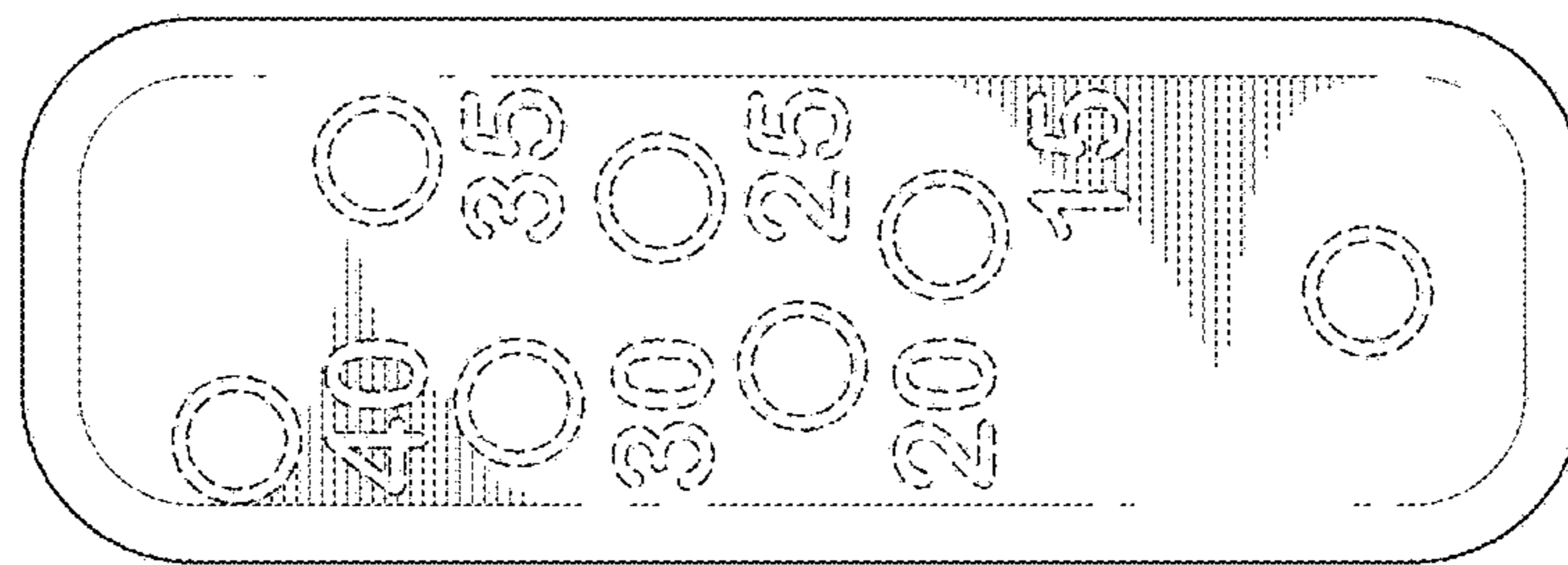


FIG. 13

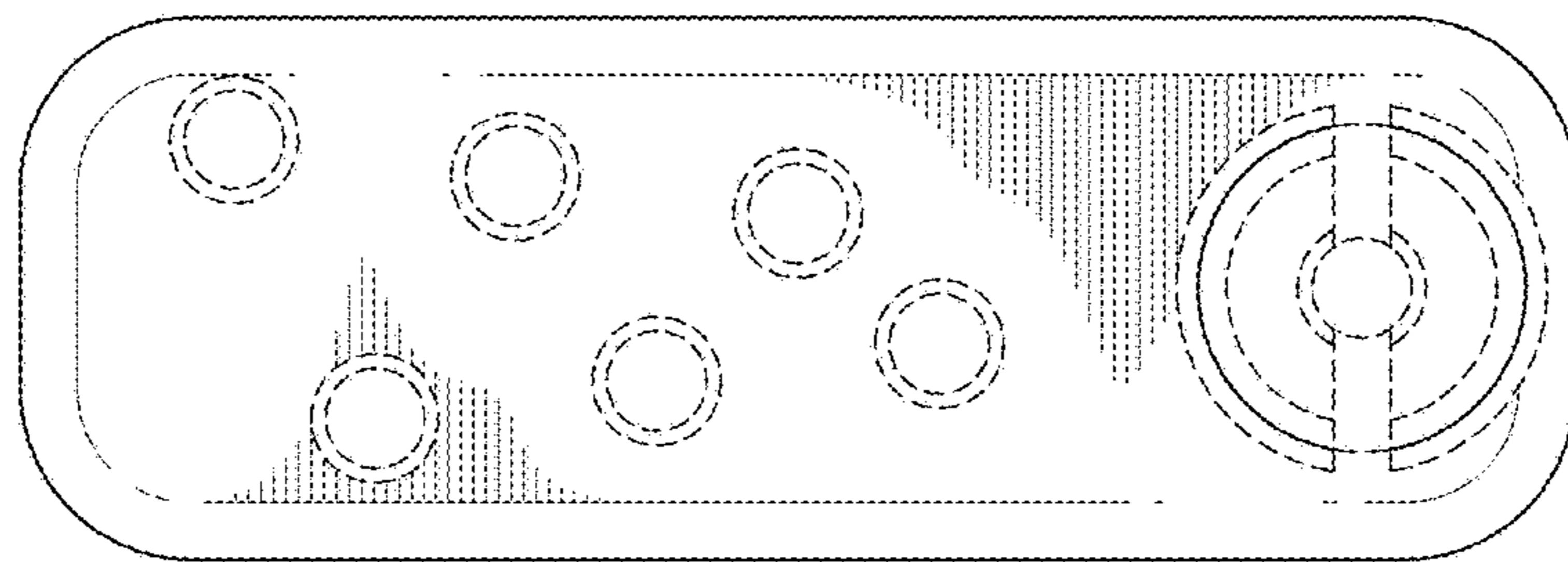


FIG. 14