



US00D860449S

(12) **United States Design Patent**  
**Jamison**

(10) **Patent No.:** **US D860,449 S**

(45) **Date of Patent:** **\*\* Sep. 17, 2019**

(54) **DENTAL DRILL GUIDE HANDLING TOOL**

(71) Applicant: **GRS Guide System, Inc.**, Beverly Hills, CA (US)

(72) Inventor: **Mark Bennett Jamison**, Los Angeles, CA (US)

(73) Assignee: **GRS Guide System, Inc.**, Beverly Hills, CA (US)

(\*\*) Term: **15 Years**

(21) Appl. No.: **29/646,793**

(22) Filed: **May 7, 2018**

**Related U.S. Application Data**

(63) Continuation of application No. 14/961,457, filed on Dec. 7, 2015, now Pat. No. 9,987,101, which is a (Continued)

(51) **LOC (12) Cl.** ..... **24-02**

(52) **U.S. Cl.**  
USPC ..... **D24/140**

(58) **Field of Classification Search**  
USPC ..... D24/140, 133, 152, 176, 181, 155, 156 (Continued)

(56) **References Cited**

**U.S. PATENT DOCUMENTS**

D292,021 S \* 9/1987 Stoll ..... D24/140  
D603,502 S \* 11/2009 Petersen ..... D24/133 (Continued)

*Primary Examiner* — Bridget L Eland

(74) *Attorney, Agent, or Firm* — Proskauer Rose LLP

(57) **CLAIM**

The ornamental design for a dental drill guide handling tool, substantially as shown and described.

**DESCRIPTION**

FIG. 1 is a perspective view of a first embodiment of a dental drill guide handling tool, showing my new design;

FIG. 2 is a front view thereof, the rear view thereof being a mirror image;

FIG. 3 is a right side view thereof, the left side view thereof being a mirror image;

FIG. 4 is a top view thereof;

FIG. 5 is a bottom view thereof;

FIG. 6 is another front view thereof, shown with environment;

FIG. 7 is a cross-sectional view thereof, taken in the direction of line 7-7 of FIG. 5 and shown with environment;

FIG. 8 is another perspective view thereof, shown with environment;

FIG. 9 is top perspective view thereof, shown with environment;

FIG. 10 is yet another perspective view thereof, shown with environment;

FIG. 11 is a perspective view of a second embodiment of a dental drill guide handling tool, showing my new design;

FIG. 12 is a front view thereof, the rear view thereof being a mirror image;

FIG. 13 is a right side view thereof, the left side view thereof being a mirror image;

FIG. 14 is a top view thereof;

FIG. 15 is a bottom view thereof;

FIG. 16 is another front view thereof, shown with environment;

FIG. 17 is a cross-sectional view thereof, taken in the direction of line 7-7 of FIG. 15 and shown with environment;

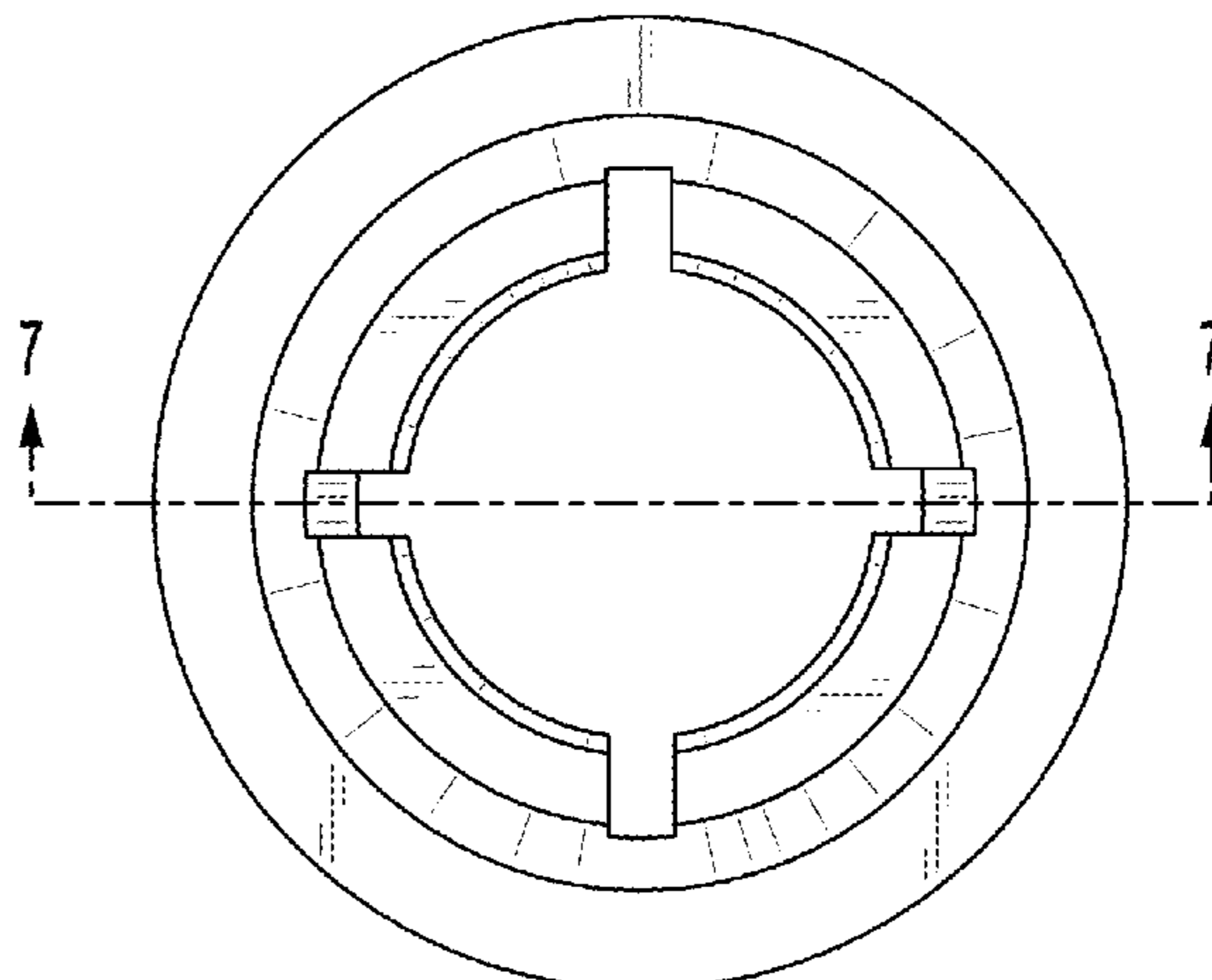
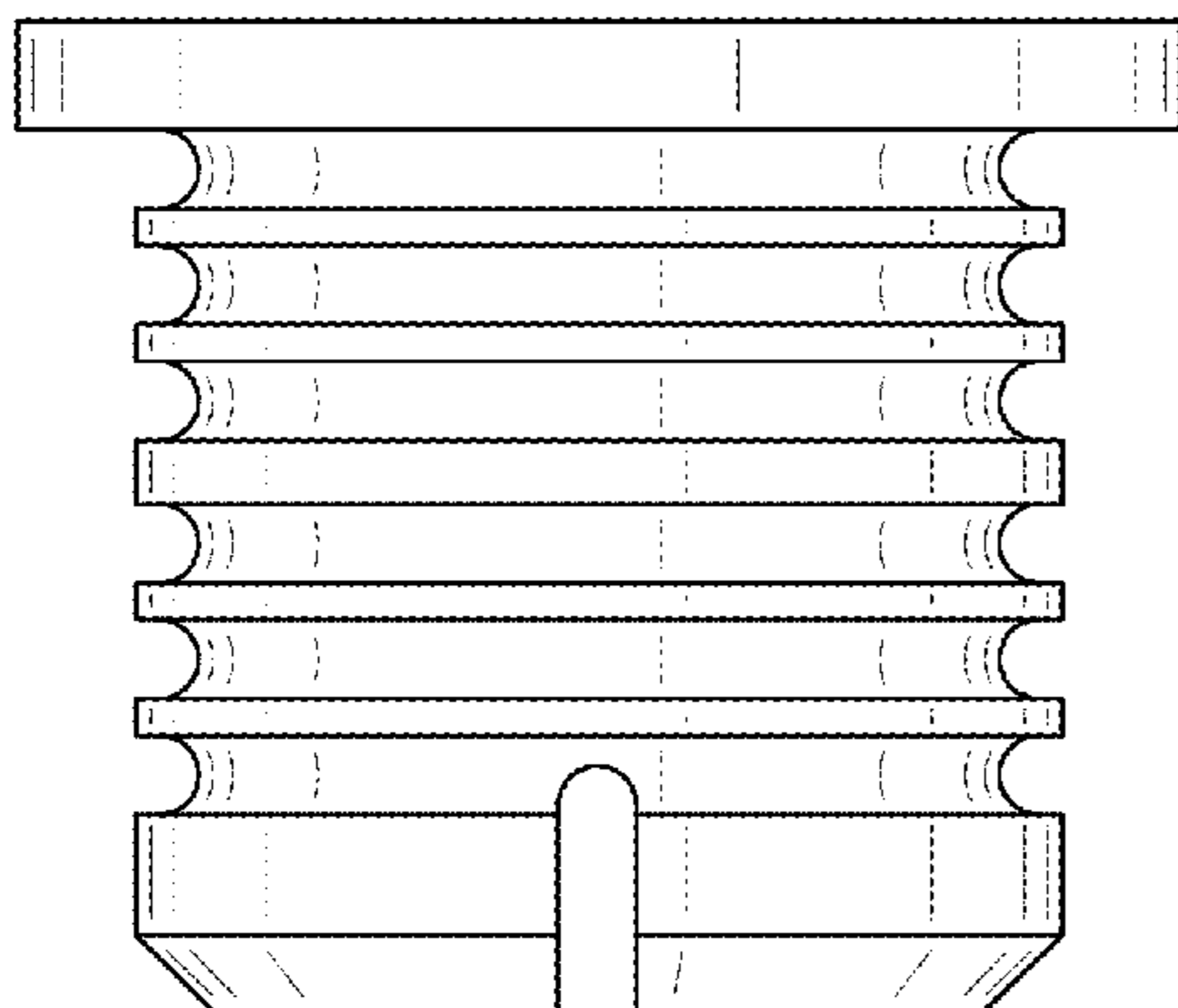
FIG. 18 is another perspective view thereof, shown with environment;

FIG. 19 is top perspective view thereof, shown with environment; and,

FIG. 20 is yet another perspective view thereof, shown with environment.

The broken lines in FIGS. 1-10 of Embodiment 1 are directed to environment and are for illustrative purposes only. The broken lines that appear over the full line showing of the claim in FIGS. 11-20 of Embodiment 2 are included for the purpose of illustrating portions of the dental drill guide positioning ring that form no part of the claimed design while all other broken lines are directed to environment and are for illustrative purposes only. The dot-dash broken lines in FIG. 5 and FIG. 15 are imaginary lines that

(Continued)



are included for reference purposes only to identify the direction of the cross section view. All of the broken lines form no part of the claimed design.

**1 Claim, 10 Drawing Sheets**

**Related U.S. Application Data**

continuation of application No. 14/679,285, filed on Apr. 6, 2015, now Pat. No. 9,211,165, which is a continuation-in-part of application No. 14/255,654, filed on Apr. 17, 2014, now Pat. No. 9,113,982.

(58) **Field of Classification Search**

CPC ..... A61C 1/082; A61C 1/084; A61C 1/085;  
A61C 3/04; A61C 11/06

See application file for complete search history.

(56)

**References Cited**

U.S. PATENT DOCUMENTS

|              |      |         |                   |                         |
|--------------|------|---------|-------------------|-------------------------|
| D676,965     | S *  | 2/2013  | Sibhatu .....     | D24/152                 |
| 9,113,982    | B1 * | 8/2015  | Jamison .....     | A61C 1/084              |
| D744,097     | S *  | 11/2015 | Baratz .....      | D24/133                 |
| 9,211,165    | B2 * | 12/2015 | Jamison .....     | A61C 1/084              |
| D750,779     | S *  | 3/2016  | Ahluwalia .....   | D24/133                 |
| 9,987,101    | B2 * | 6/2018  | Jamison .....     | A61C 1/084              |
| 2006/0200186 | A1 * | 9/2006  | Marchek .....     | A61B 17/0218<br>606/191 |
| 2015/0265373 | A1 * | 9/2015  | Jamison .....     | A61C 1/084<br>433/173   |
| 2016/0310232 | A1 * | 10/2016 | Jamison .....     | A61C 1/084              |
| 2018/0028278 | A1 * | 2/2018  | Alsina Font ..... | A61C 8/0089             |
| 2018/0250097 | A1 * | 9/2018  | Jamison .....     | A61C 1/084              |

\* cited by examiner

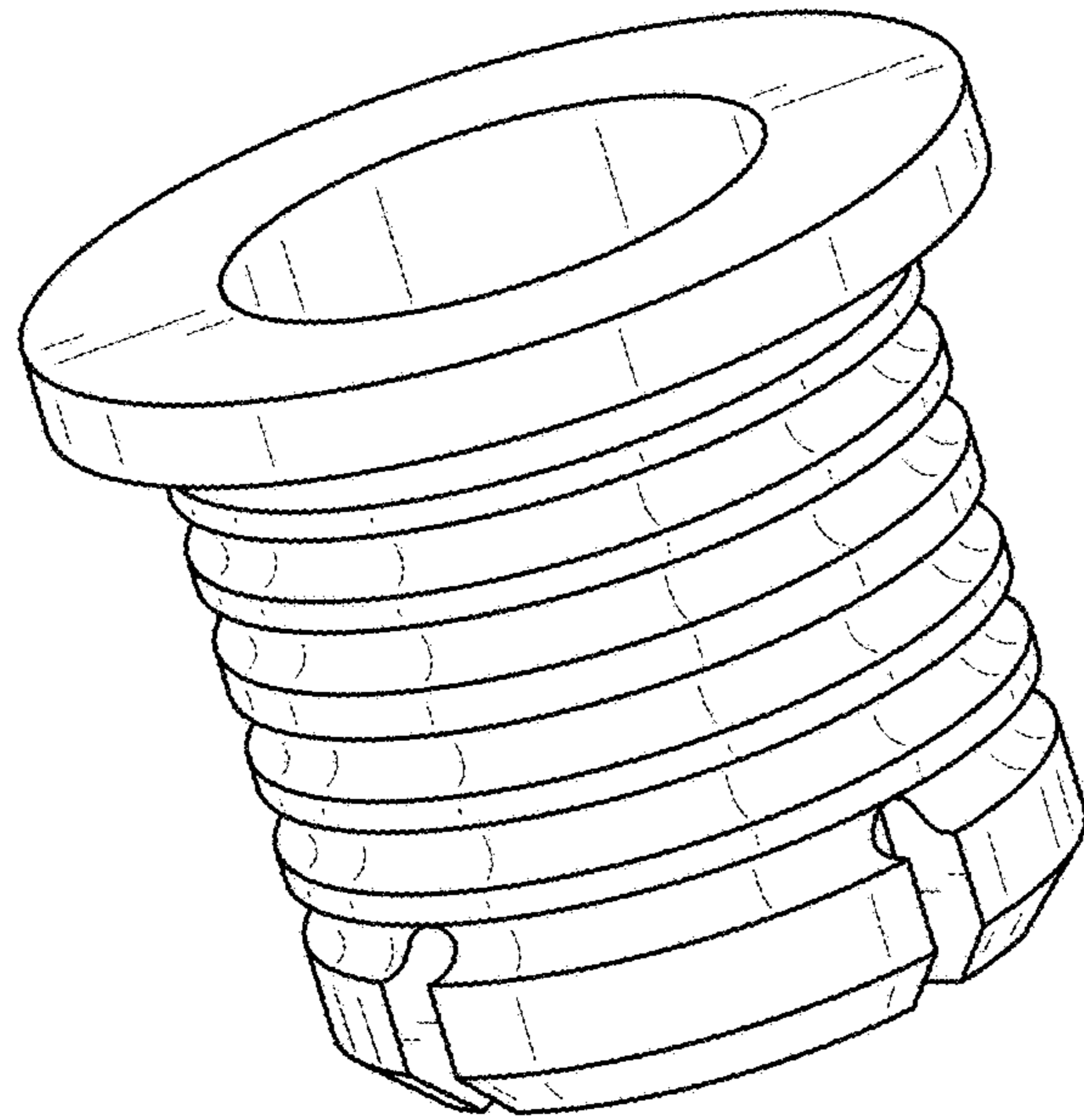


FIG. 1

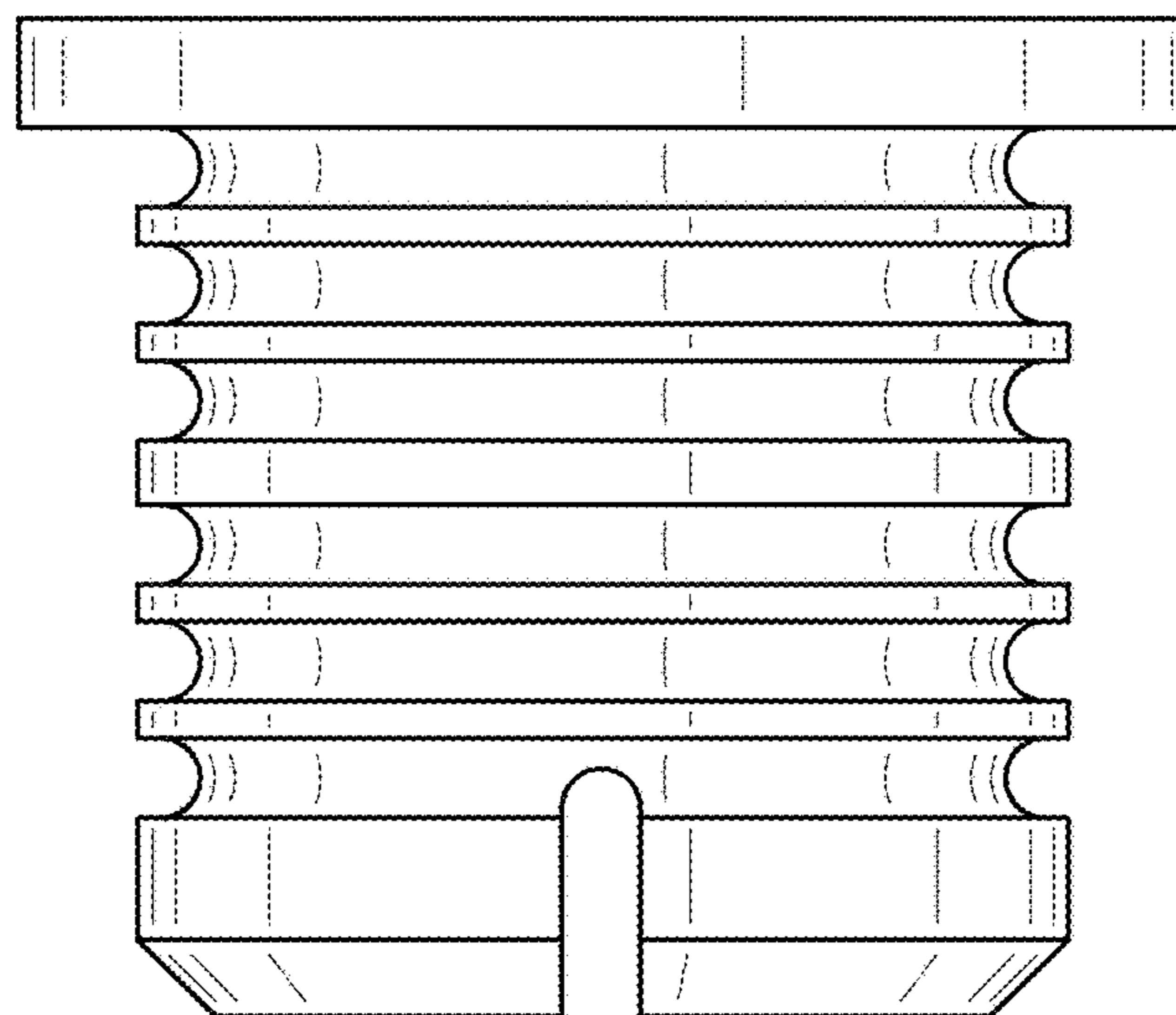


FIG. 2

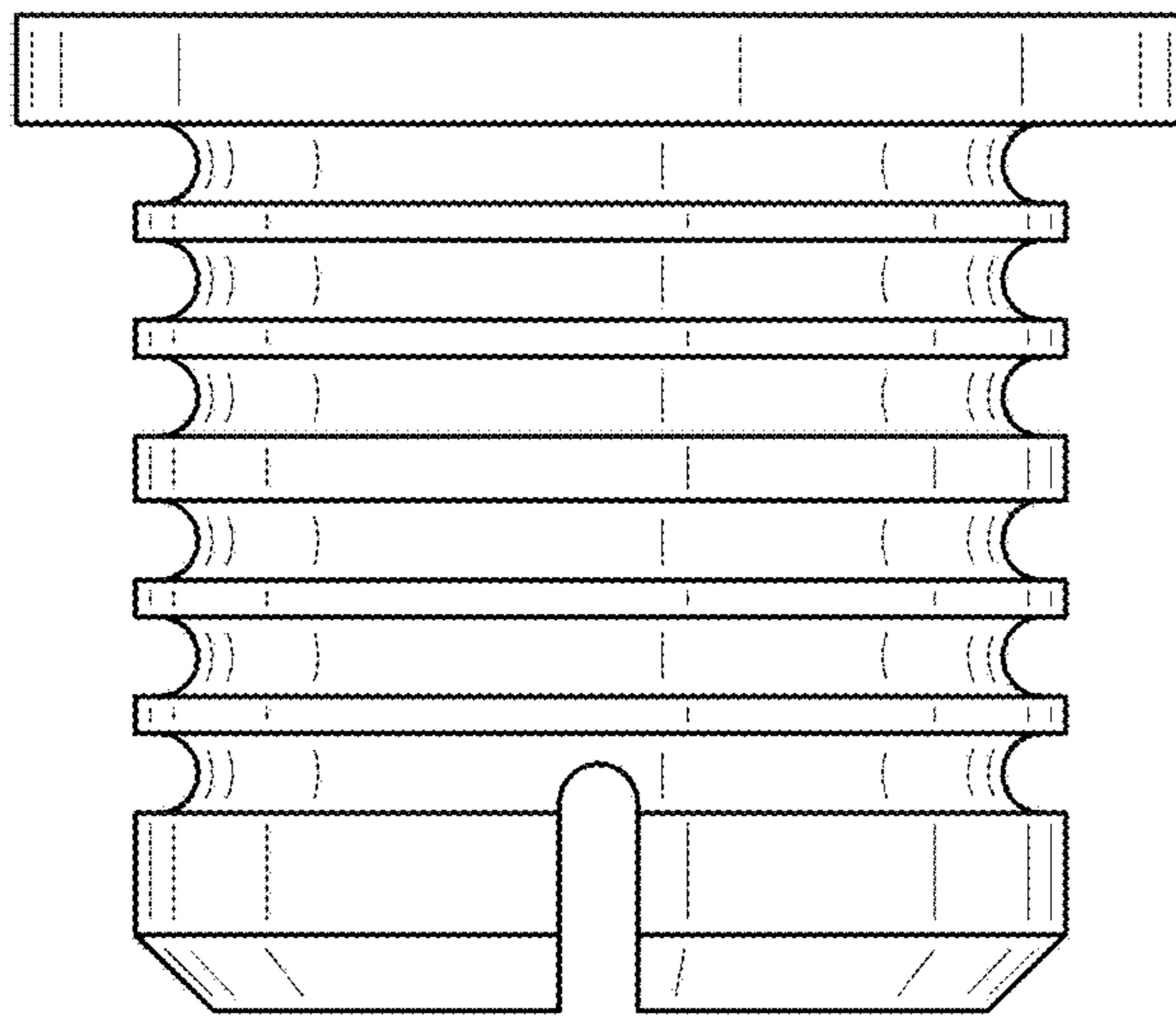


FIG. 3

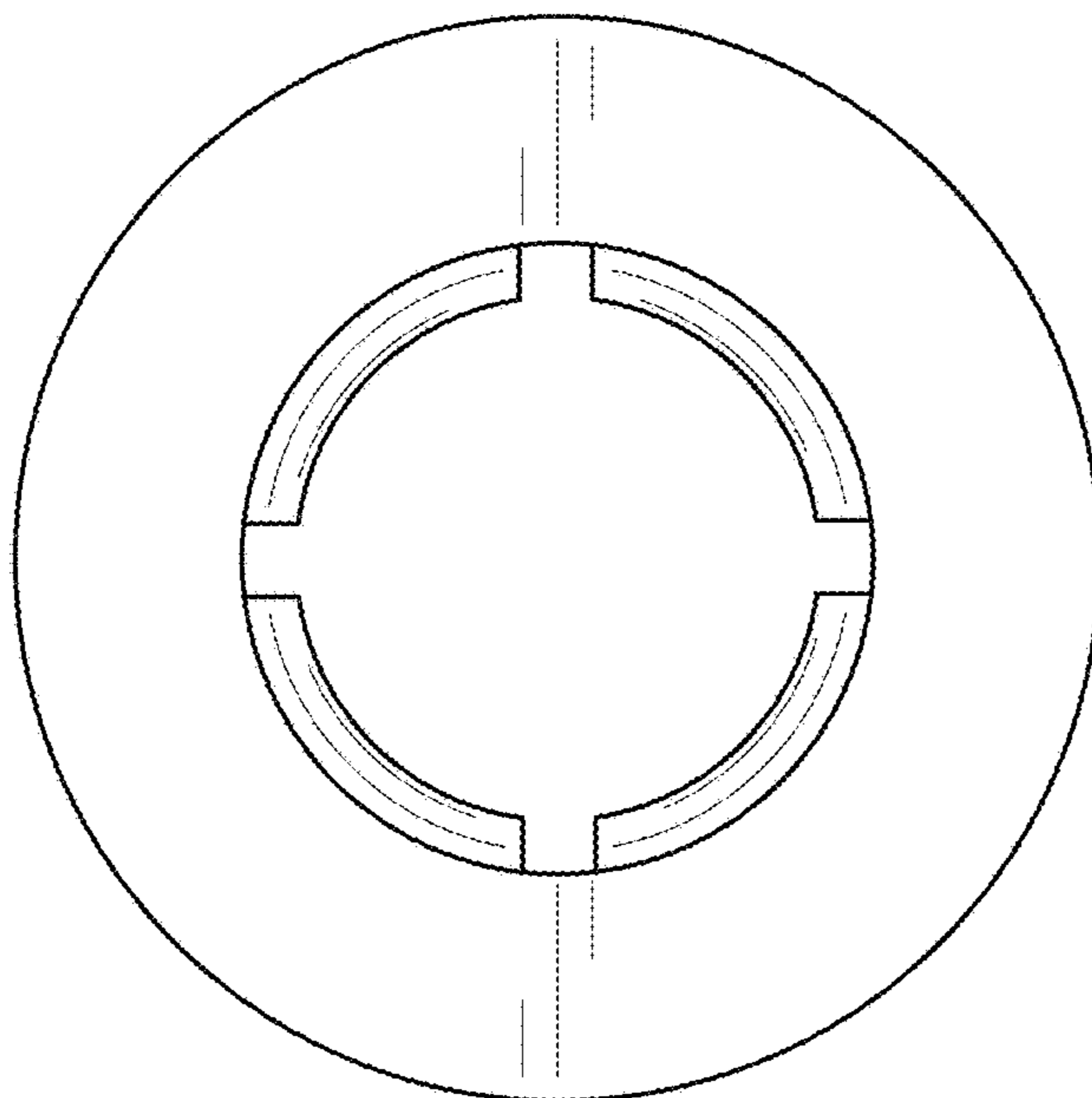


FIG. 4

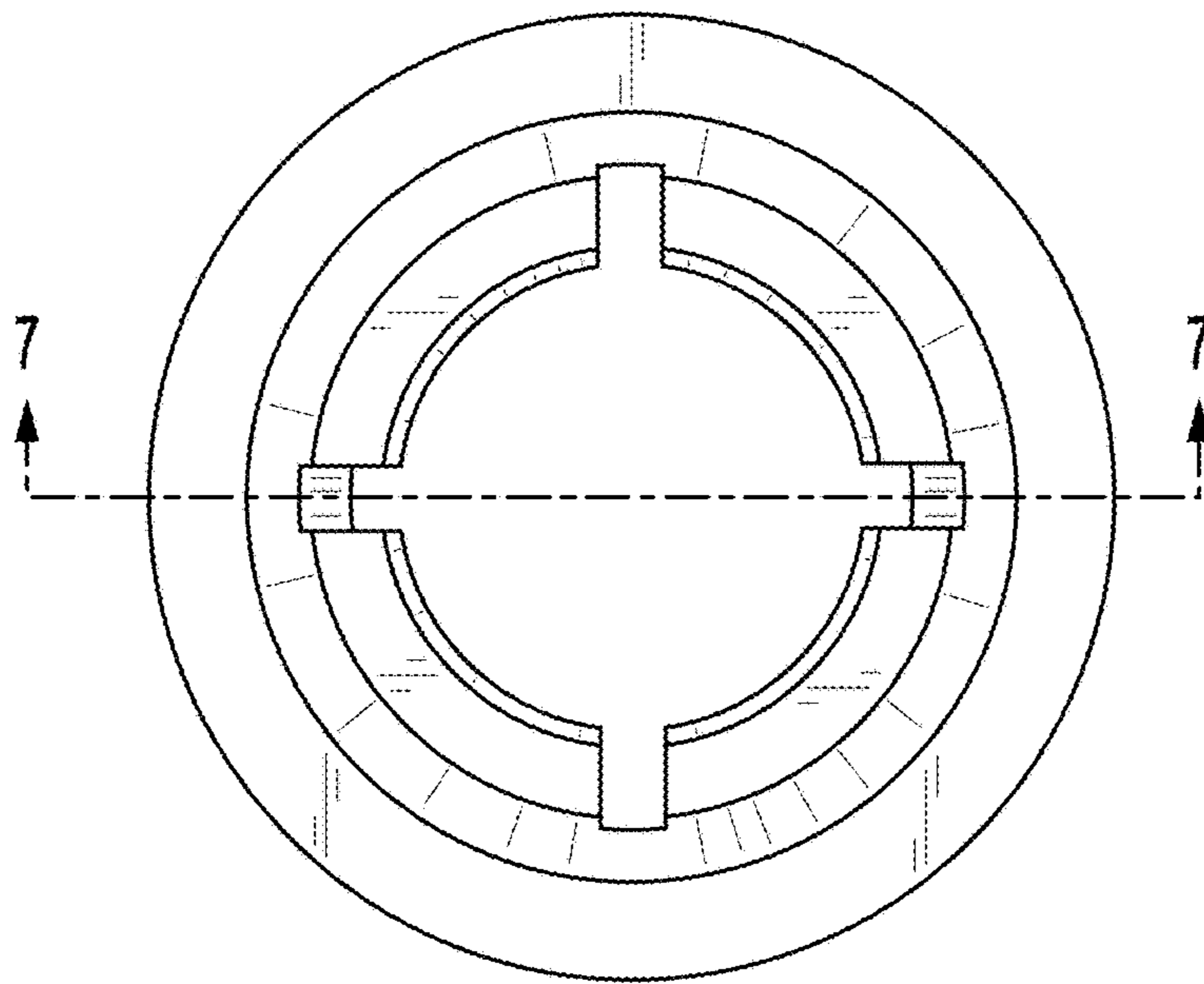


FIG. 5

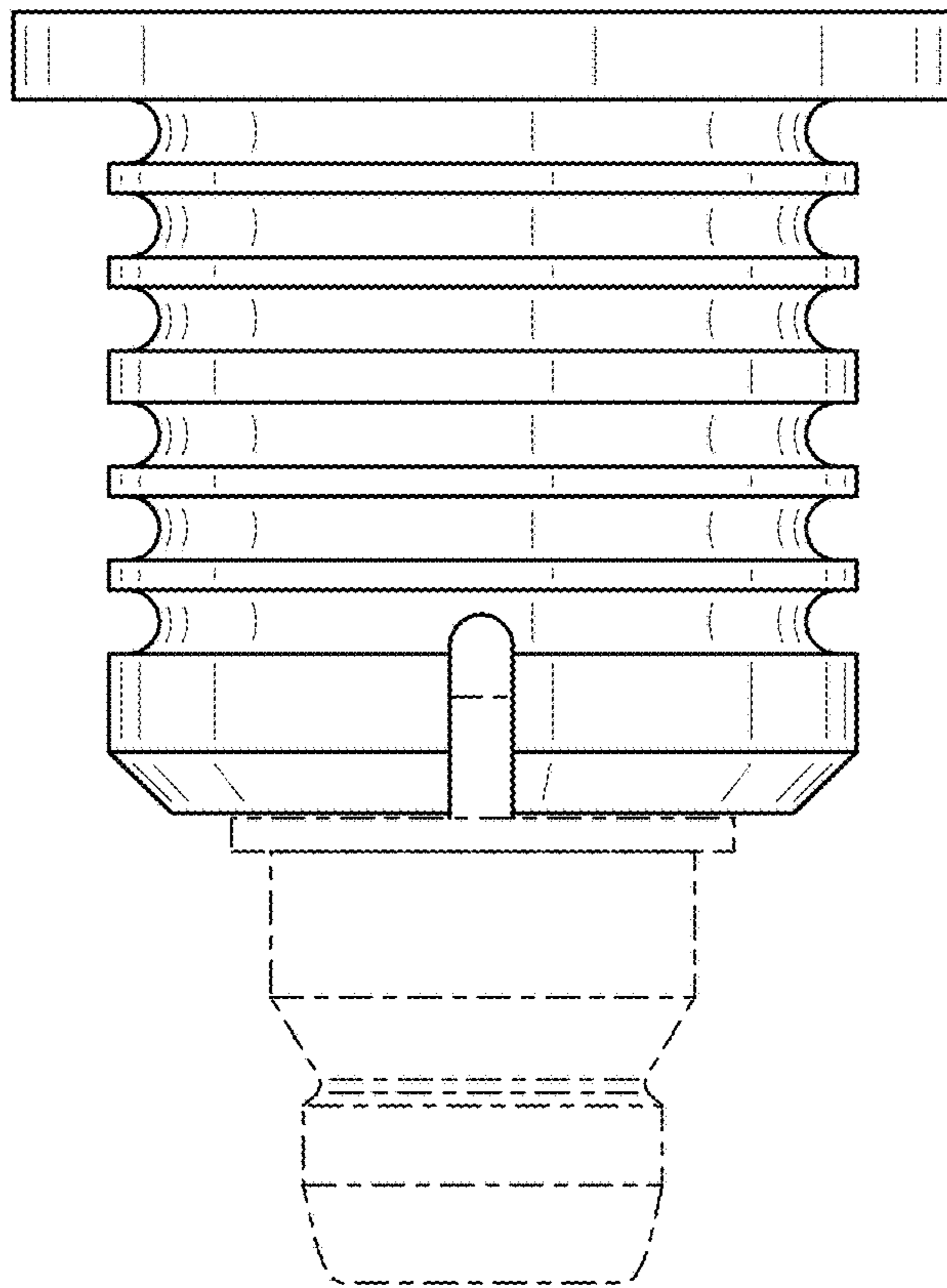


FIG. 6

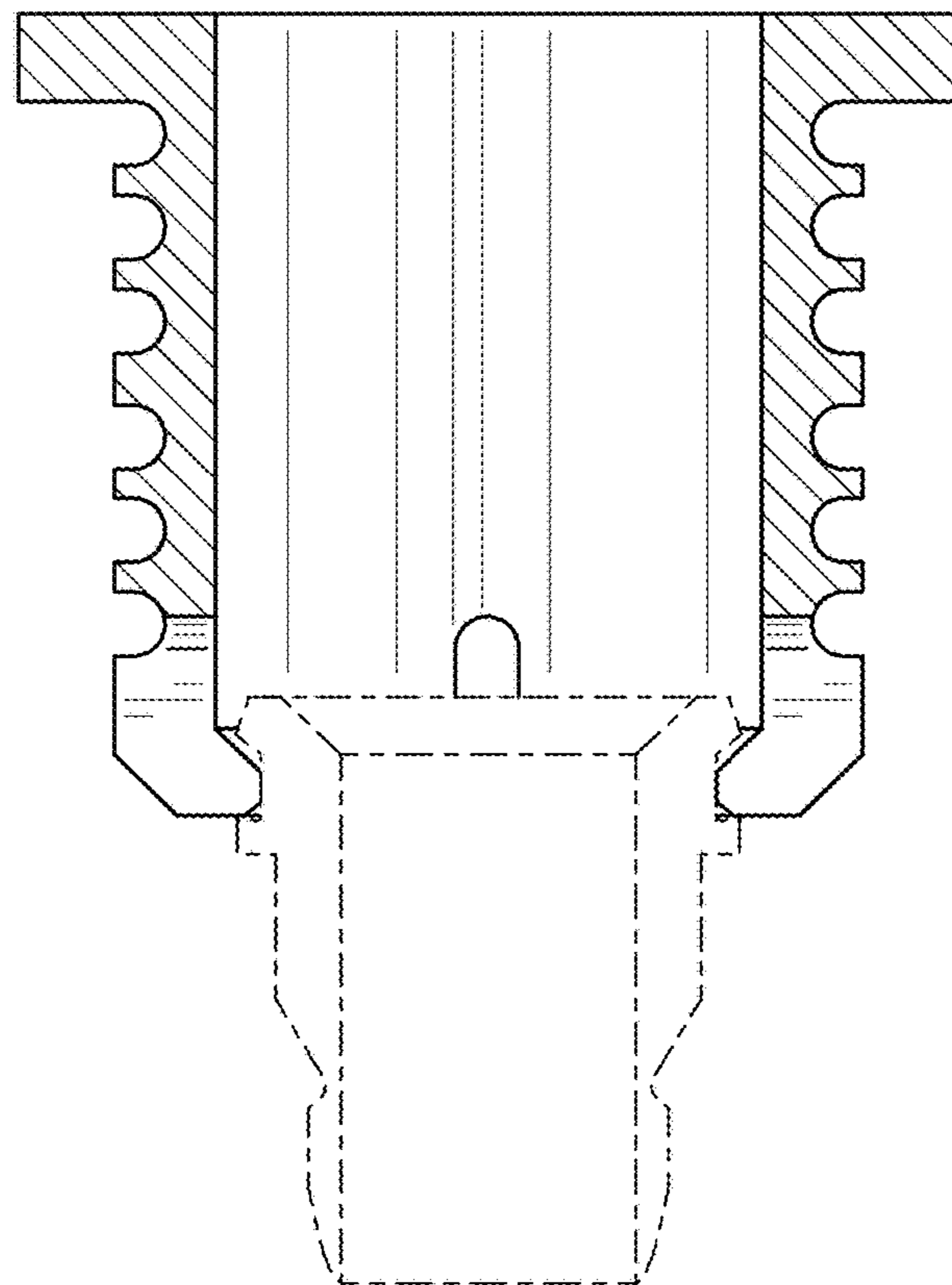


FIG. 7

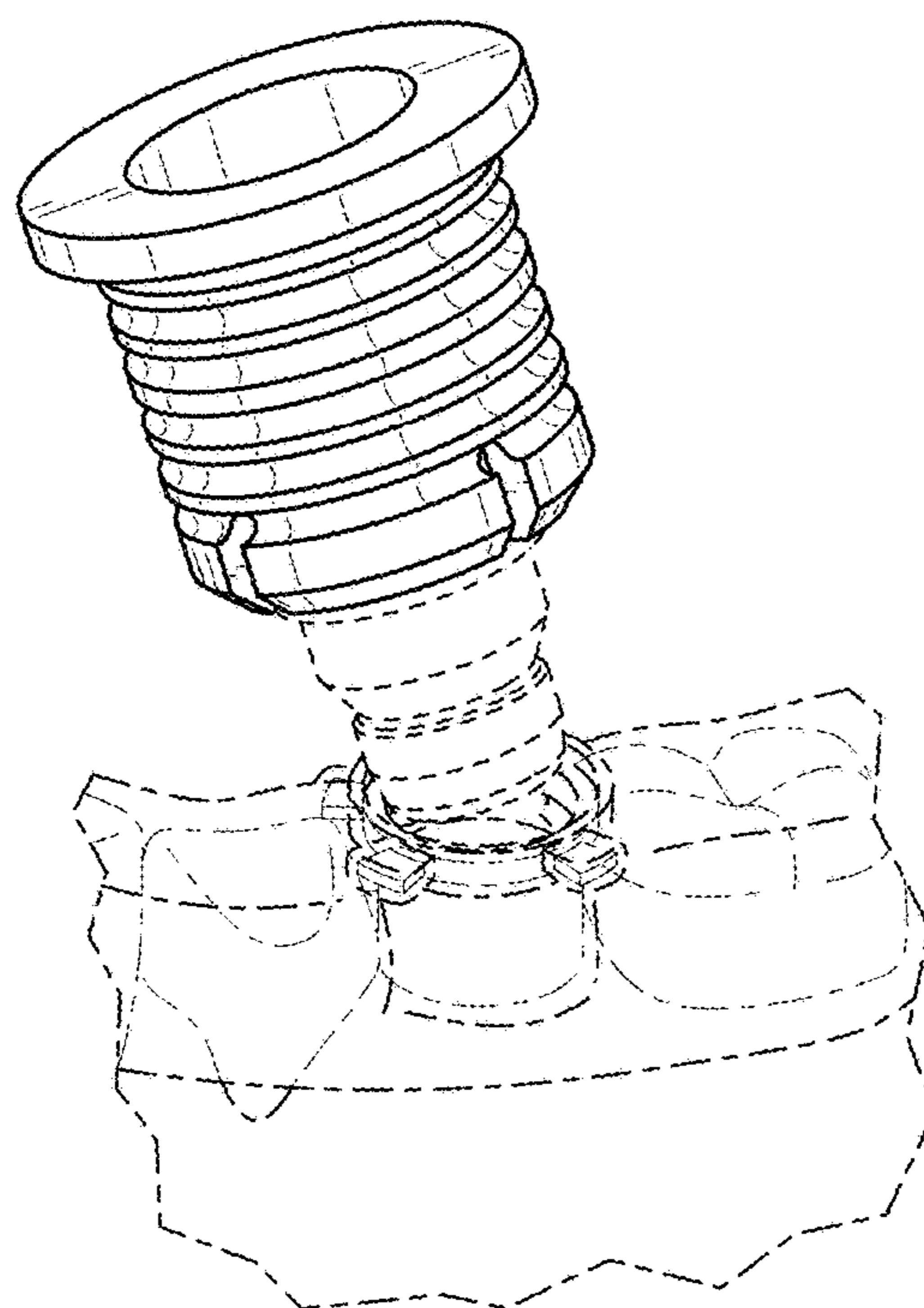


FIG. 8

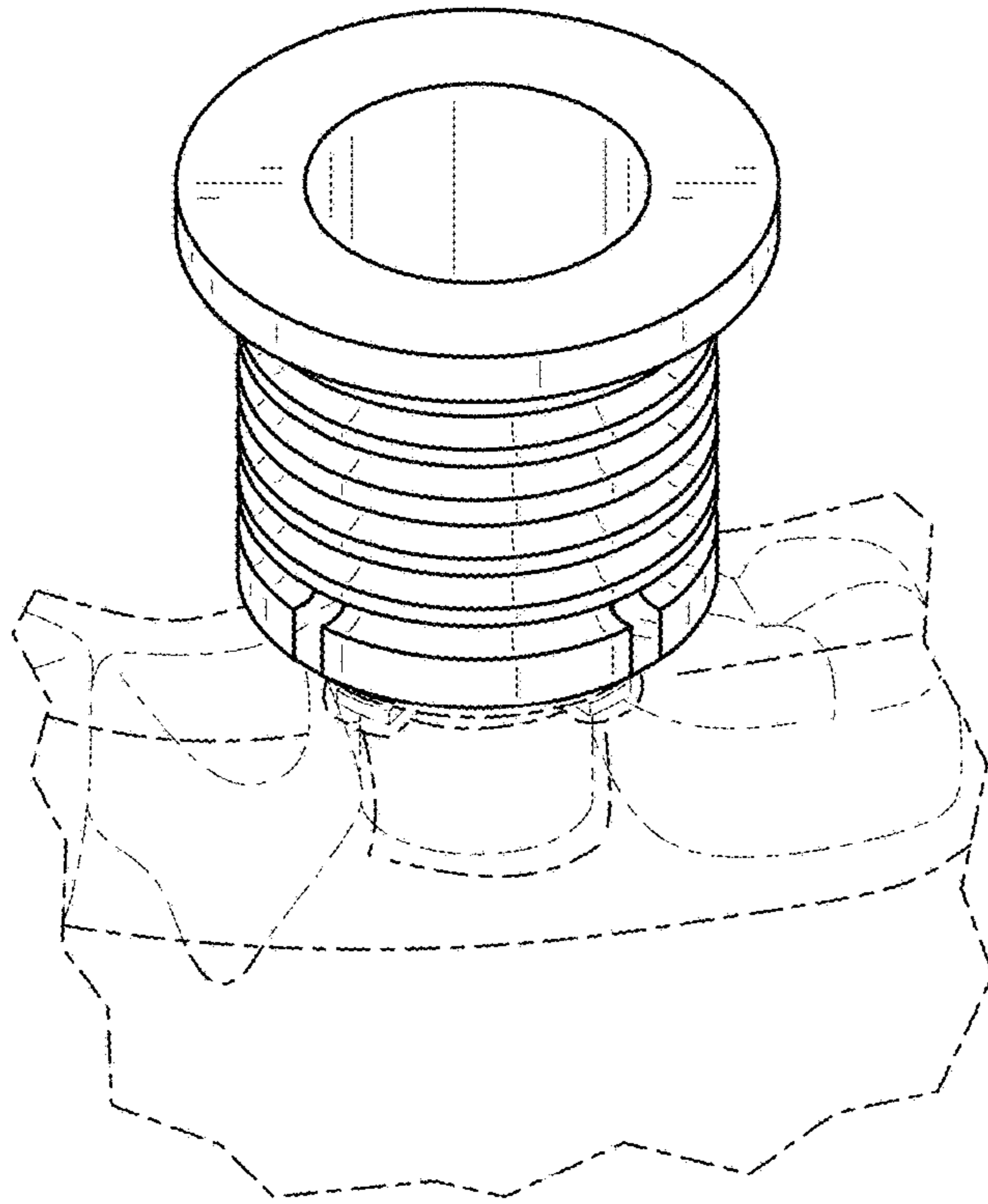


FIG. 9

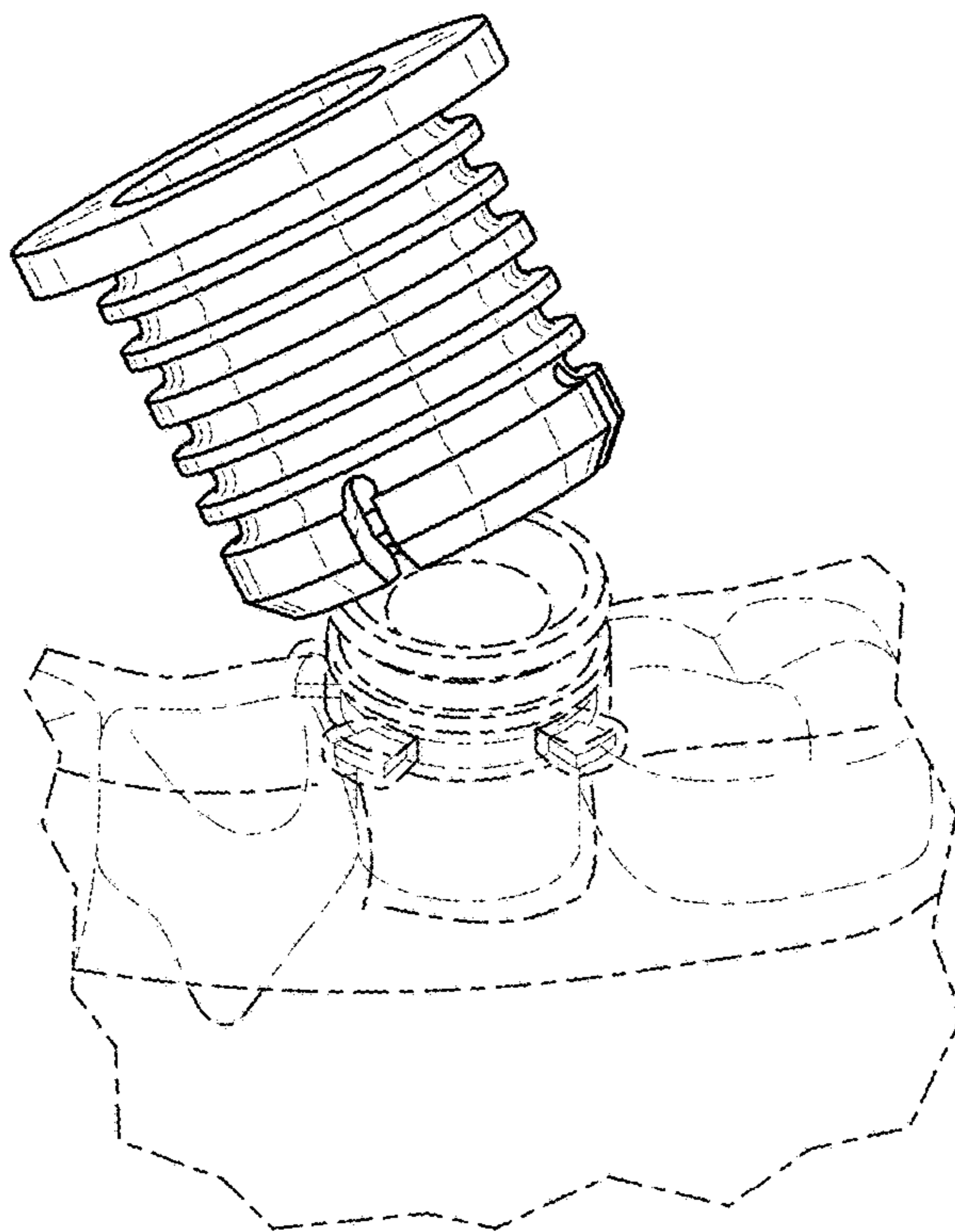


FIG. 10

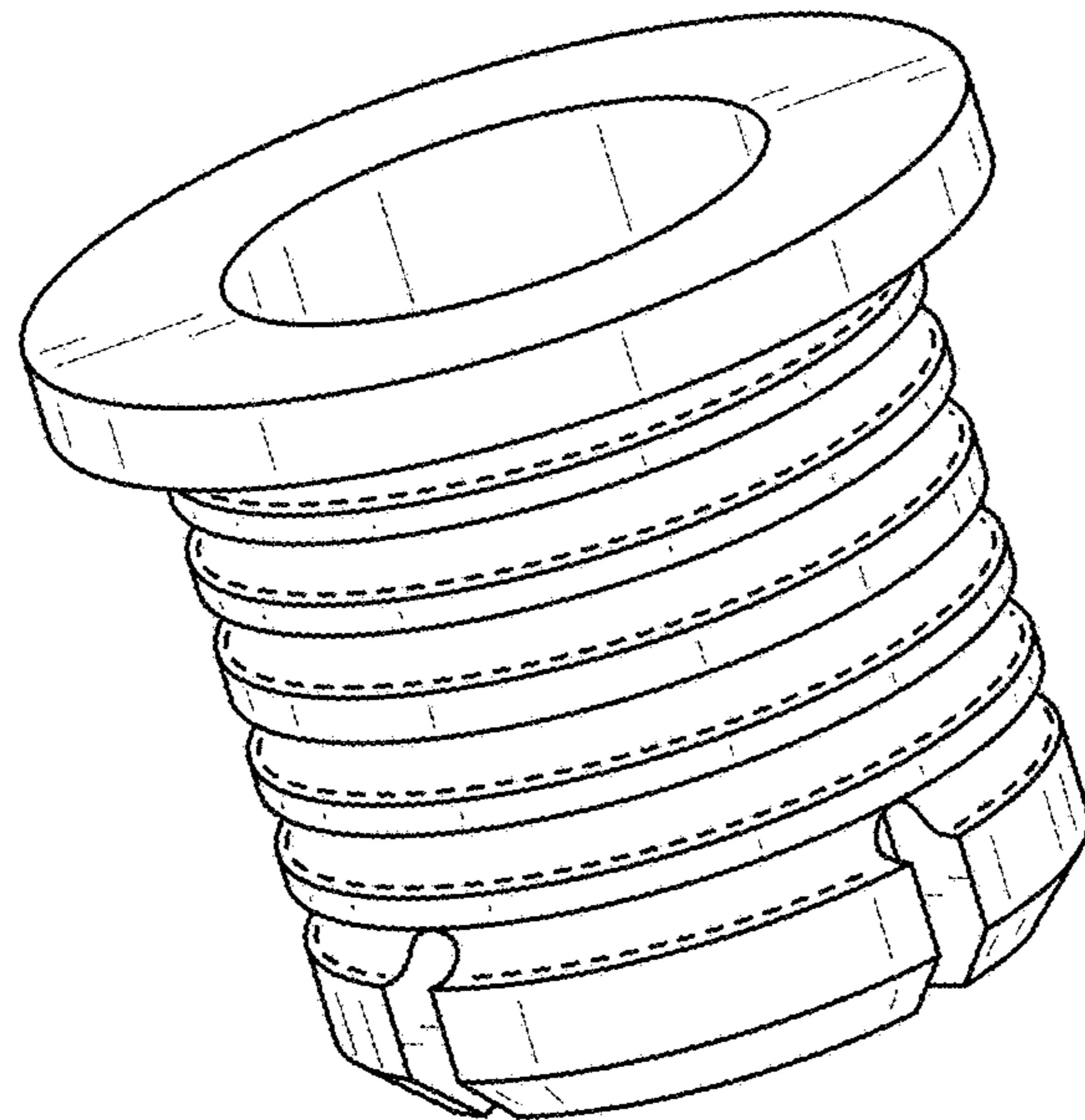


FIG. 11

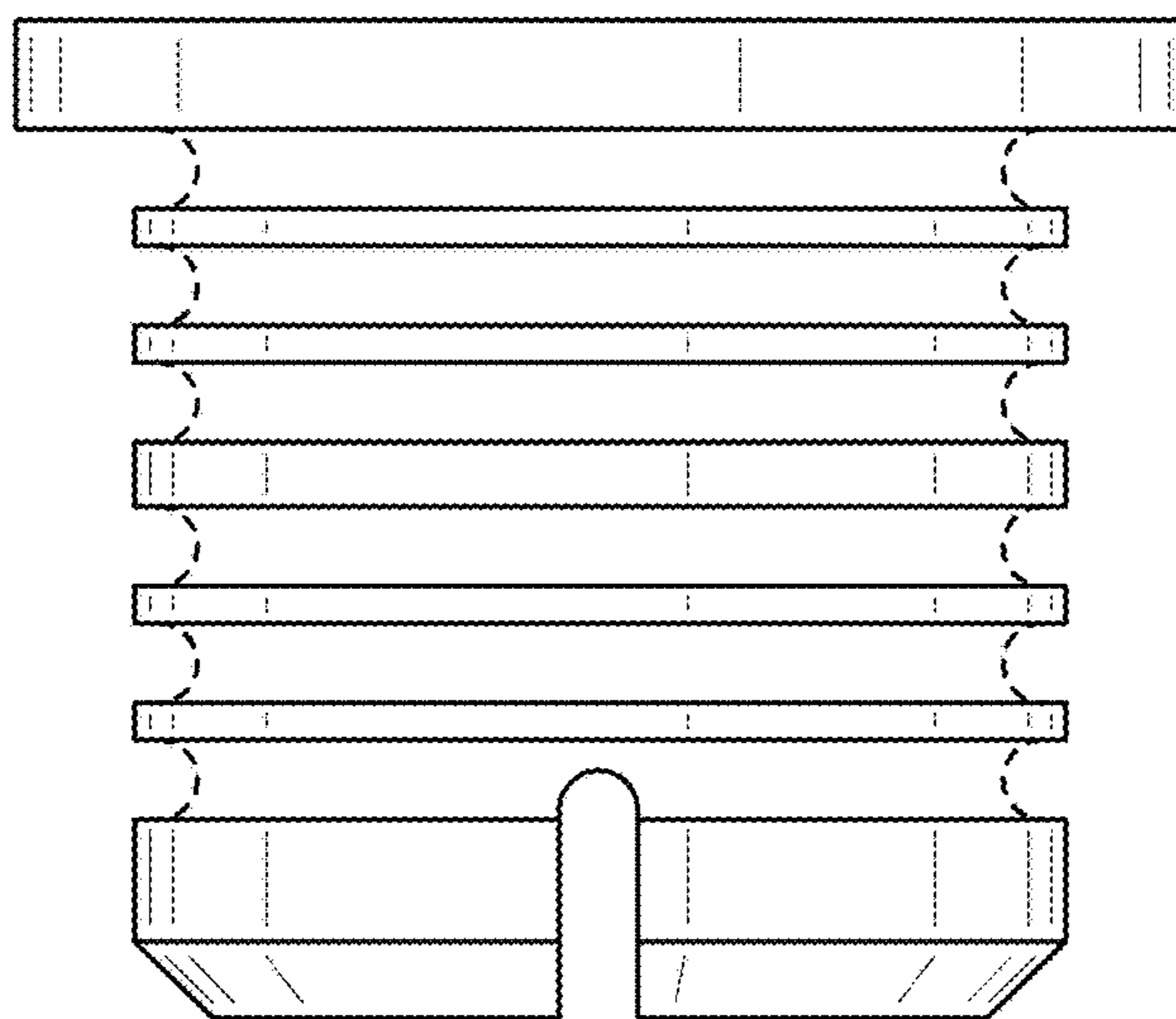


FIG. 12



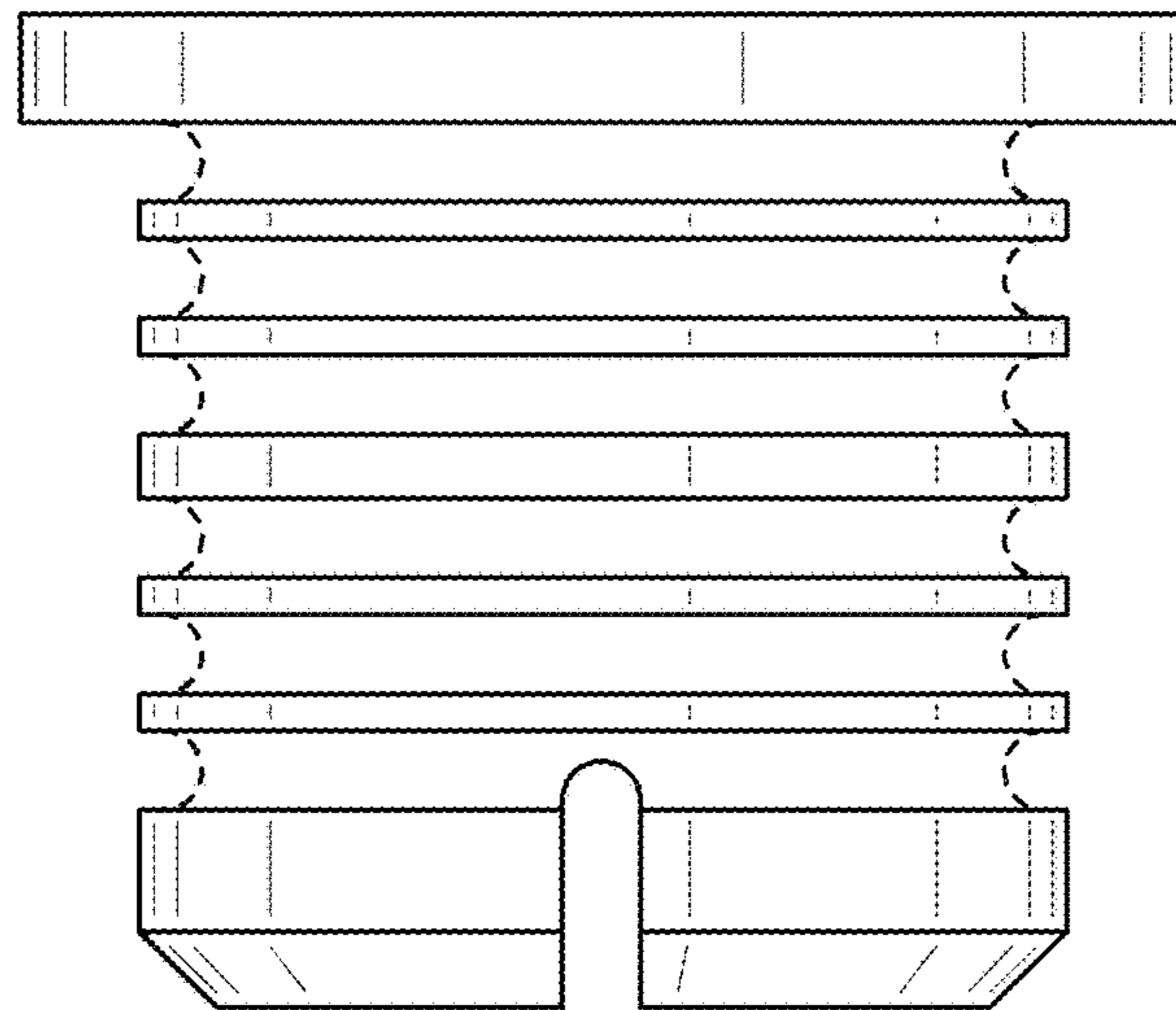


FIG. 13

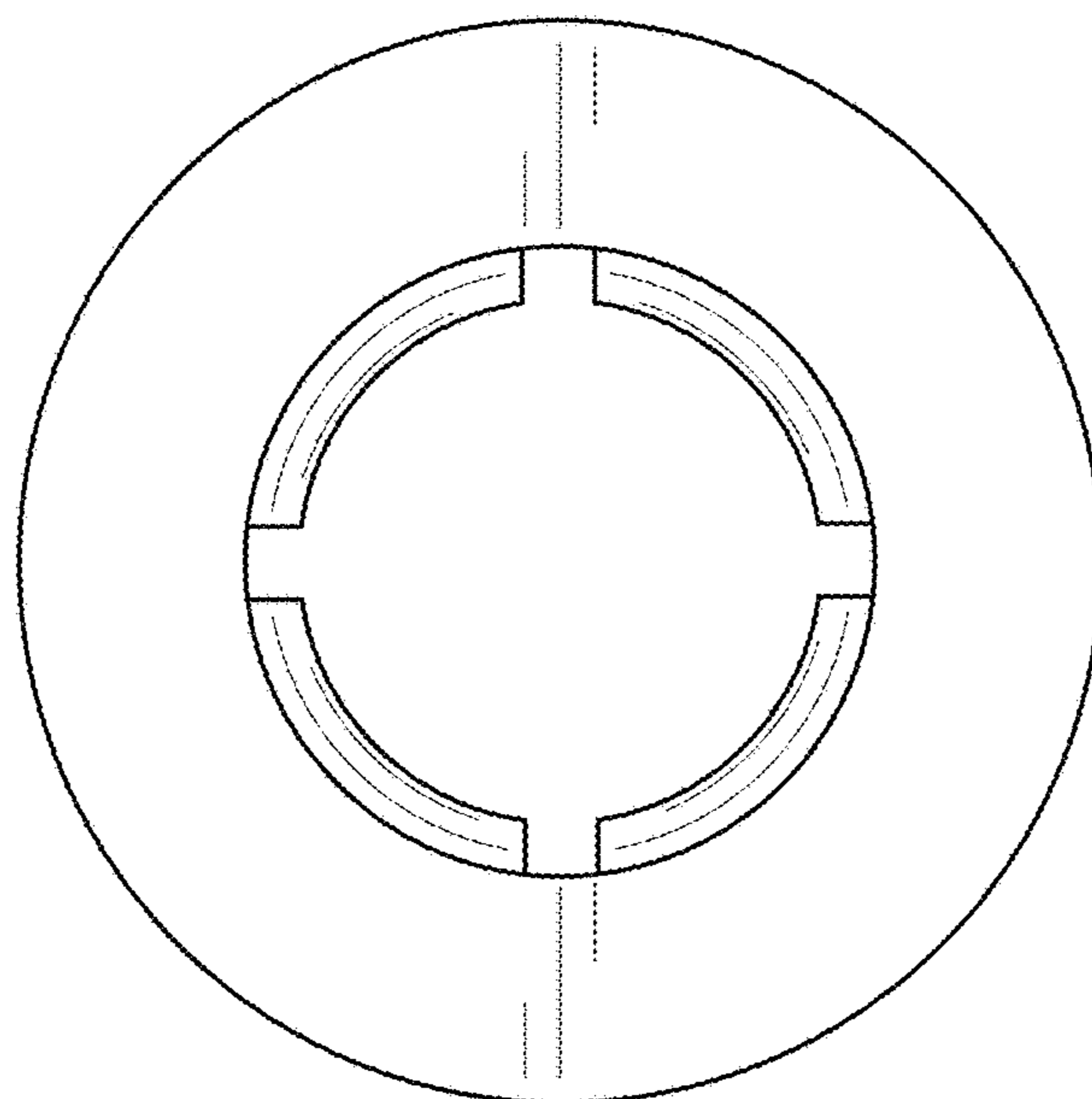


FIG. 14

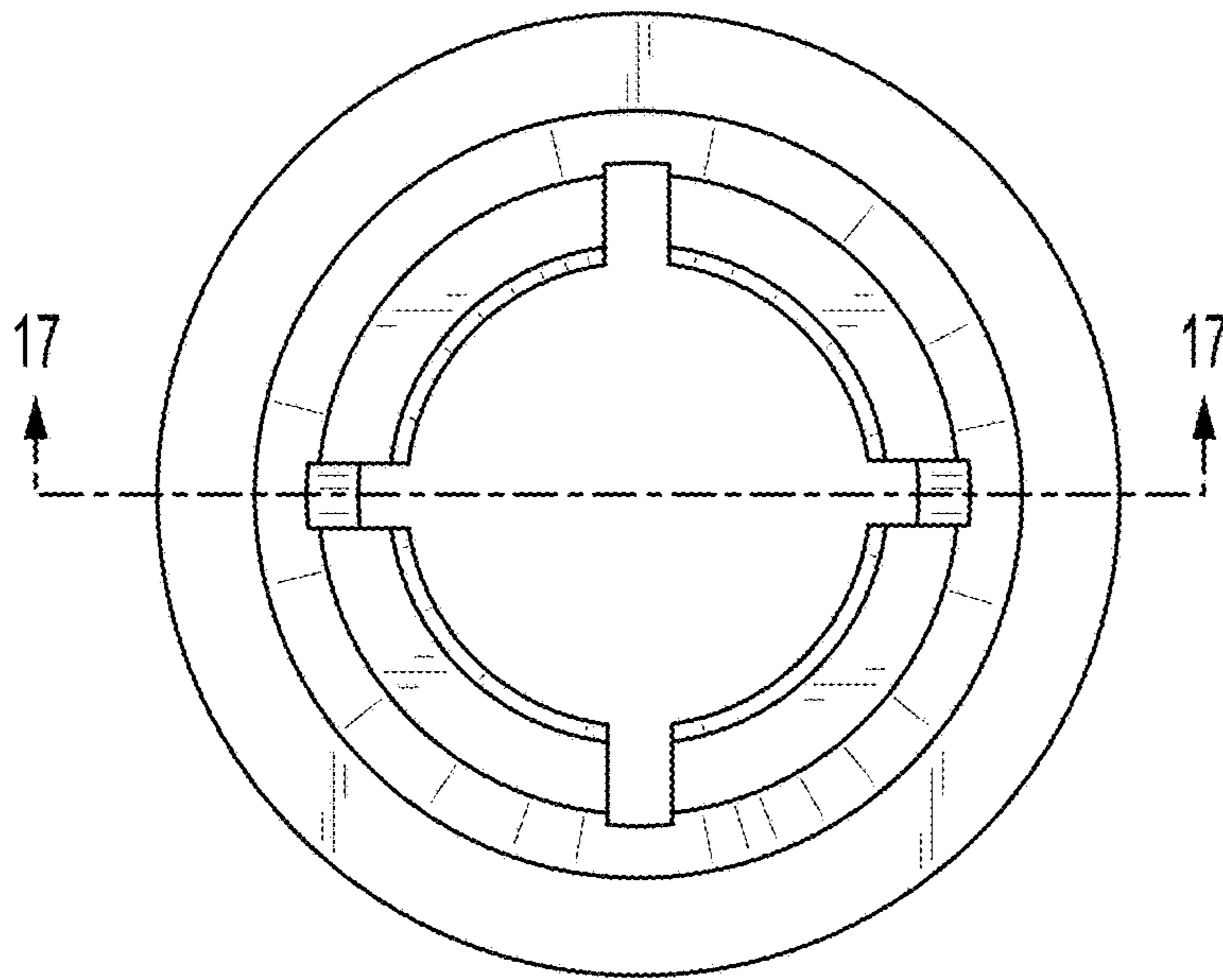


FIG. 15

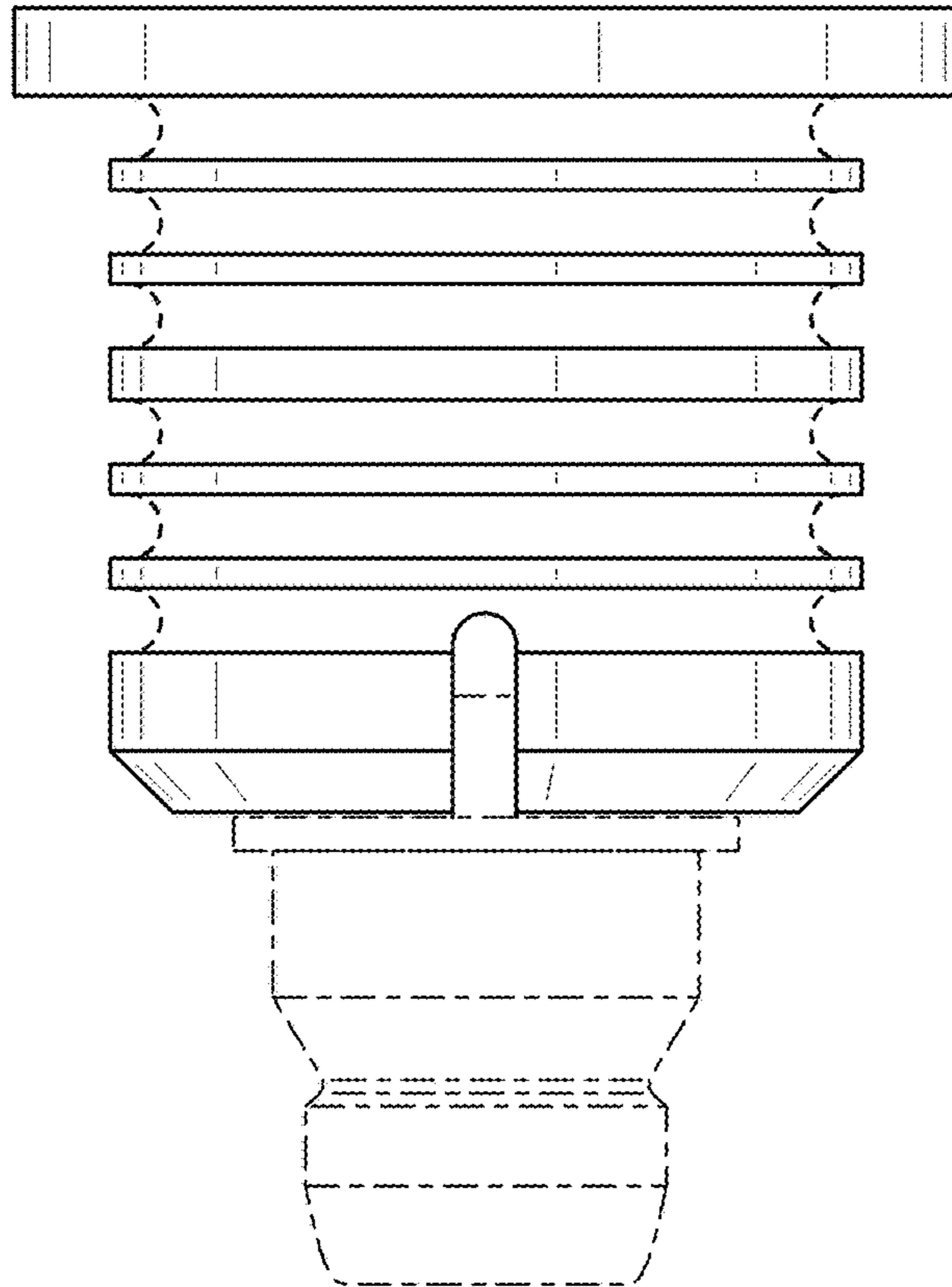


FIG. 16

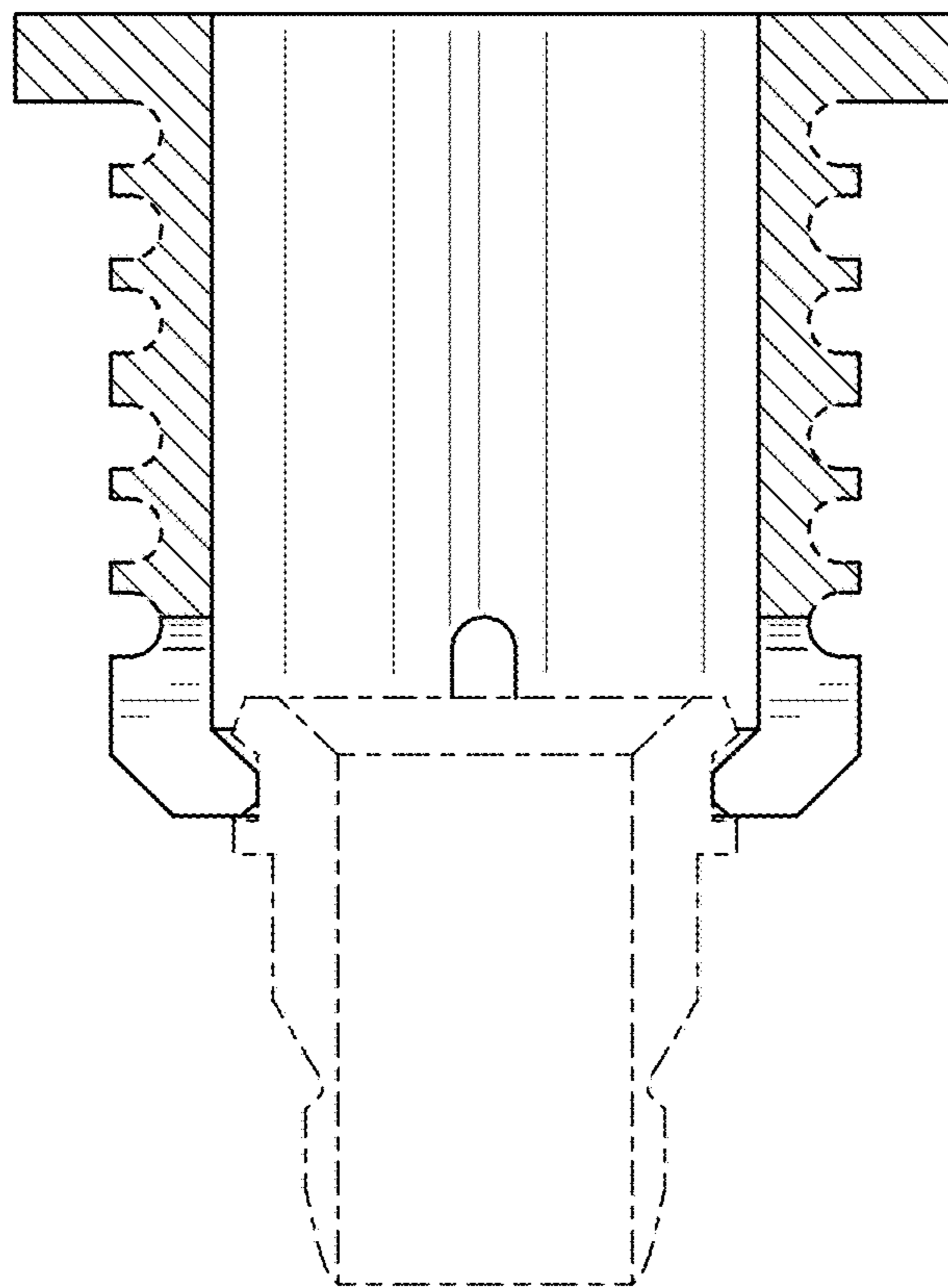


FIG. 17

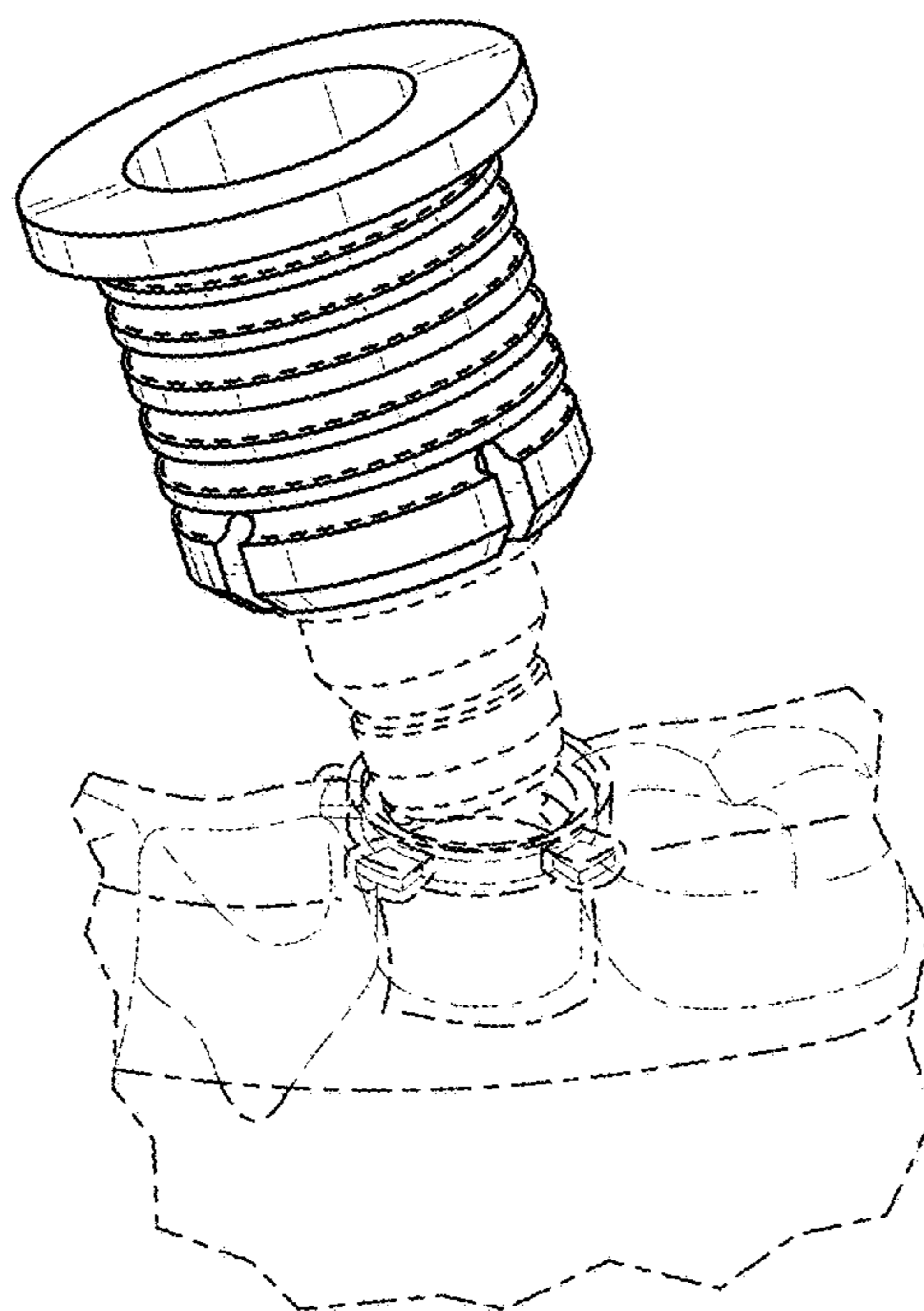


FIG. 18

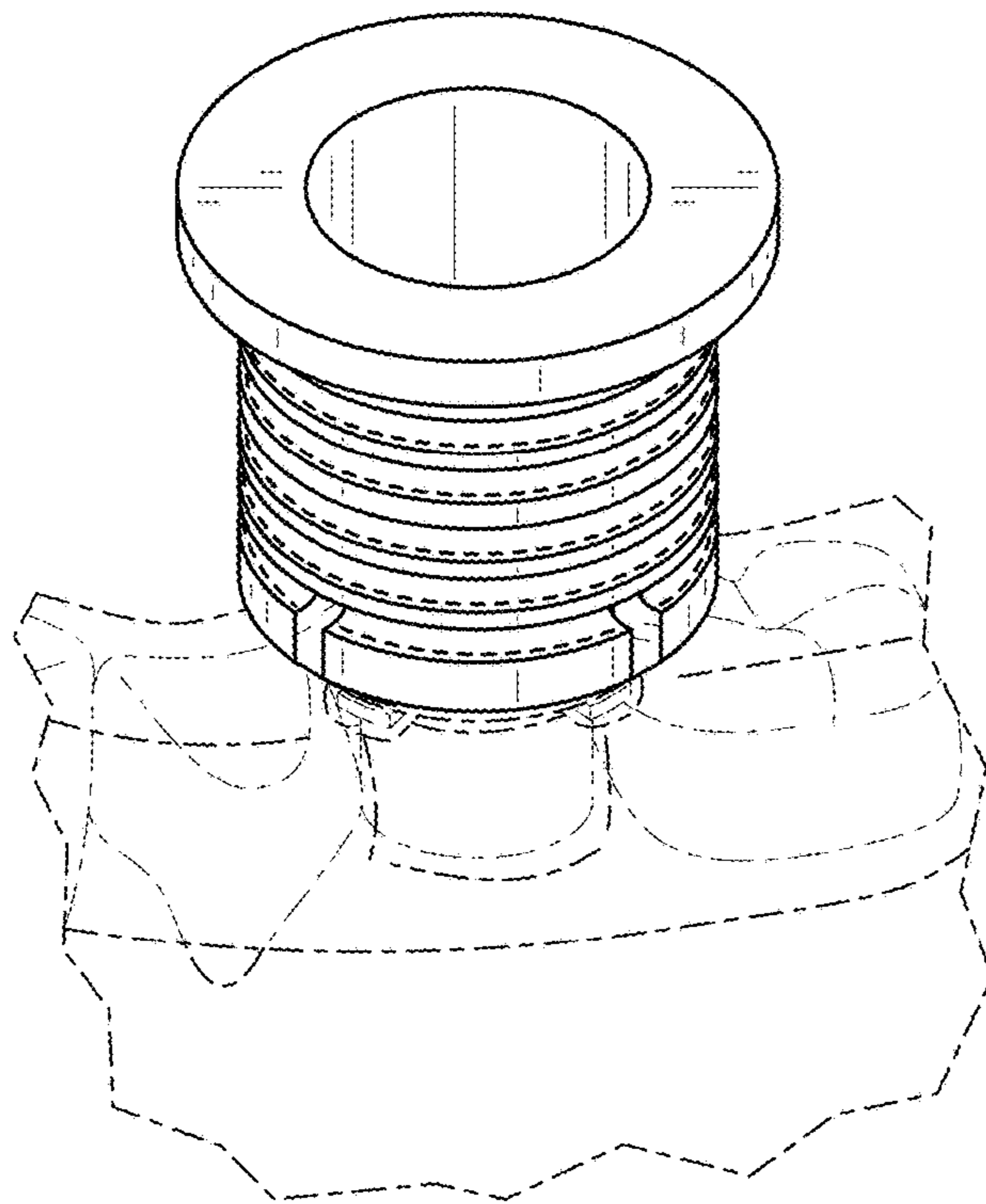


FIG. 19

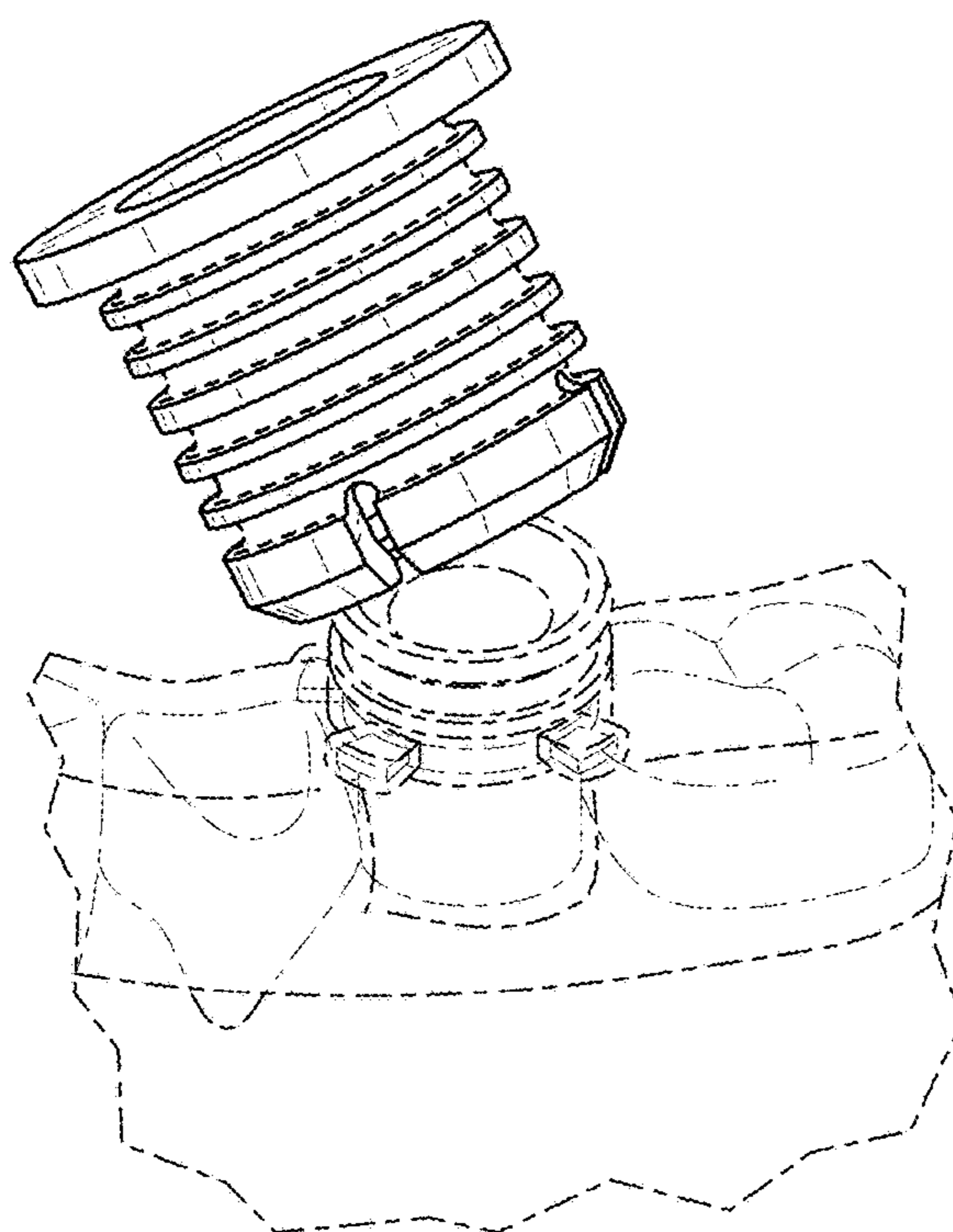


FIG. 20