

US00D860447S

(12) **United States Design Patent** (10) **Patent No.:** **US D860,447 S**
Crawford et al. (45) **Date of Patent:** **** *Sep. 17, 2019**

(54) **INSTRUMENT FOR USE WITH A SURGICAL ROBOTIC SYSTEM**

(71) Applicant: **GLOBUS MEDICAL, INC.**, Audubon, PA (US)

(72) Inventors: **Neil Crawford**, Chandler, AZ (US); **Jeff Forsyth**, Cranston, RI (US); **Chris Major**, Santa Clara, CA (US); **Andrew Berkowitz**, Philadelphia, PA (US); **Norbert Johnson**, North Andover, MA (US)

(73) Assignee: **Globus Medical, Inc.**, Audubon, PA (US)

(*) Notice: This patent is subject to a terminal disclaimer.

(**) Term: **15 Years**

(21) Appl. No.: **29/625,719**

(22) Filed: **Nov. 13, 2017**

(51) **LOC (12) Cl.** **24-02**

(52) **U.S. Cl.**
USPC **D24/140**

(58) **Field of Classification Search**
USPC D8/300, 307-310; D15/132, 142; D24/140, 108, 112, 128, 133, 137, 138, D24/155, 234

CPC .. A61F 2002/30471; A61F 2002/30565; A61F 2002/4615; A61F 2002/4623; A61F 2002/4627; A61F 2002/4632; A61F 2002/4635; A61F 2002/4668; A61F 2002/687; A61F 2002/4475; A61F 2002/4465; A61F 2250/0006; A61F 2/4611

See application file for complete search history.

(56) **References Cited**

U.S. PATENT DOCUMENTS

7,547,307 B2 * 6/2009 Carson A61B 17/154 606/87
7,643,862 B2 * 1/2010 Schoenefeld A61B 90/36 600/407

9,161,799 B2 * 10/2015 Benson A61B 17/1655
D761,428 S * 7/2016 Birkenbach D24/140
D806,247 S * 12/2017 Kheradpir D24/147
D816,838 S * 5/2018 Kheradpir D24/140
D820,984 S * 6/2018 Kheradpir D24/140
D828,561 S * 9/2018 Kheradpir D24/147
2003/0069591 A1 * 4/2003 Carson A61B 17/154 606/130

(Continued)

OTHER PUBLICATIONS

Globus Medical Excelsius Precruiting, Jan. 5, 2017, [online], [site visited Jan. 11, 2019]. Retrieved from url:<https://www.youtube.com/watch?v=TDX6kbOFImM> (Year: 2017).*

(Continued)

Primary Examiner — Jeffrey D Asch

Assistant Examiner — Tracey J Bell

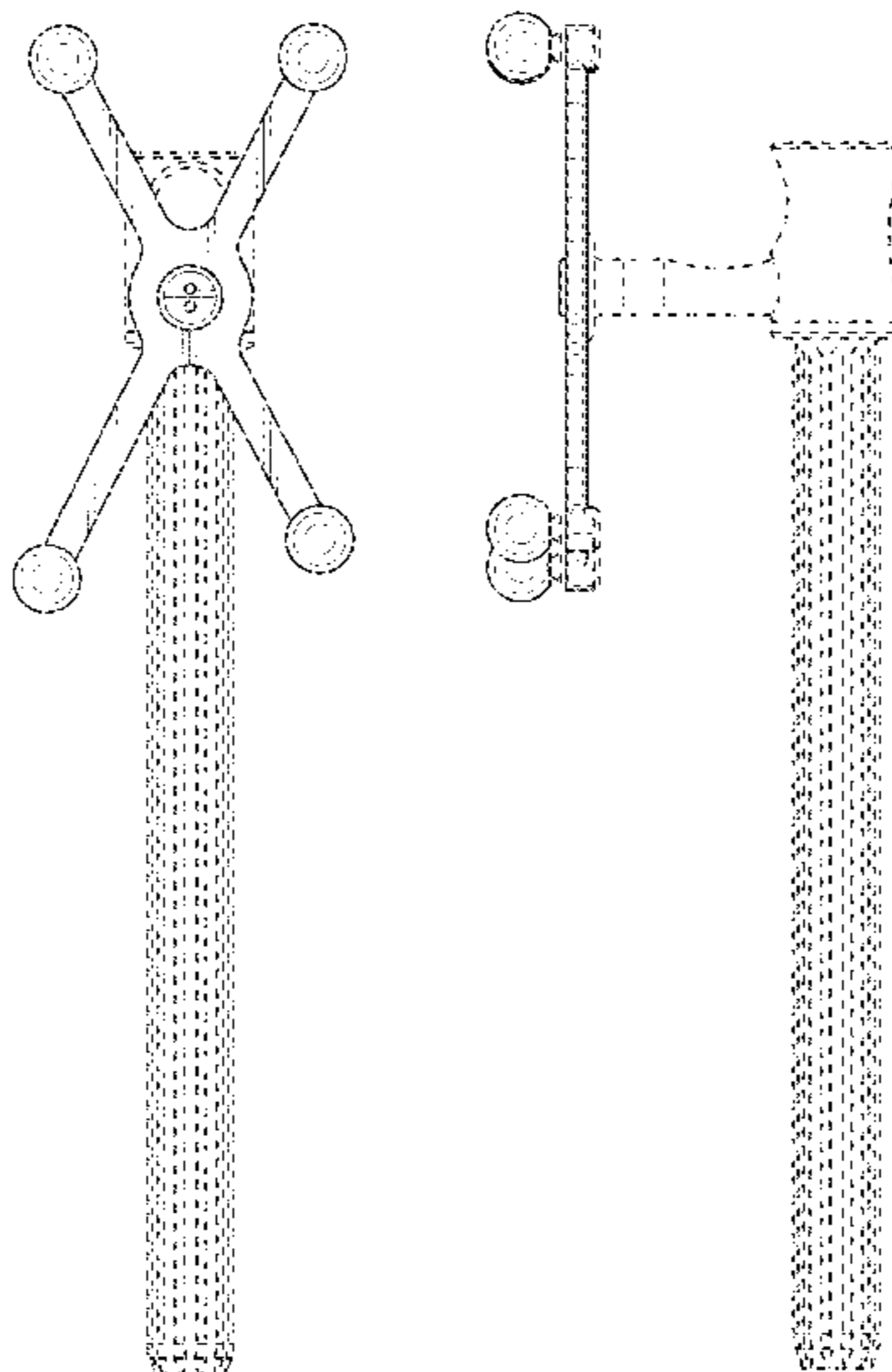
(57) **CLAIM**

The ornamental design for an instrument for use with a surgical robotic system, as shown and described.

DESCRIPTION

FIG. 1 shows a perspective view of instrument for use with a surgical robotic system showing our new design; FIG. 2 shows a front view thereof; FIG. 3 shows a rear view thereof; FIG. 4 shows a side view thereof; FIG. 5 shows another side view thereof; FIG. 6 shows a top view thereof; and, FIG. 7 shows a bottom view thereof. In the above drawings the broken lines and the areas within the broken lines form no part of the claimed design.

1 Claim, 7 Drawing Sheets



(56)

References Cited

U.S. PATENT DOCUMENTS

2004/0167393 A1* 8/2004 Solar A61B 90/39
600/414
2005/0113846 A1* 5/2005 Carson A61F 2/461
606/130
2005/0124988 A1* 6/2005 Terrill-Grisoni
A61B 17/3403
606/53
2005/0137599 A1* 6/2005 Masini A61B 90/36
606/79
2006/0142657 A1* 6/2006 Quaid G06F 19/00
600/424
2015/0100129 A1* 4/2015 Waugh A61F 2/4455
623/17.16
2016/0081681 A1* 3/2016 Waugh A61B 17/0206
606/86 A
2017/0071691 A1* 3/2017 Crawford A61B 90/96
2017/0119339 A1* 5/2017 Johnson A61B 6/58
2017/0172669 A1* 6/2017 Berkowitz A61B 34/20

2017/0209286 A1* 7/2017 Palmatier A61F 2/4611
2017/0252114 A1* 9/2017 Crawford A61B 17/17
2017/0360521 A1* 12/2017 Johnson A61B 34/74
2018/0085233 A1* 3/2018 Palmatier A61F 2/80
2018/0311051 A1* 11/2018 Donaldson A61F 2/4611
2019/0000571 A1* 1/2019 Johnson A61B 34/30

OTHER PUBLICATIONS

Medtronic revises indications for use of Navlock trackers following patient deaths, May 8, 2017, [online], [site visited Jan. 11, 2019]. Retrieved from url:<https://spinalnewsinternational.com/medtronic-revises-indications-for-use-of-navlock-trackers-following-patient-deaths/> (Year: 2017).*

A Hands-on-Robot for Accurate Placement of Pedicle Screws, Ortmaier, Tobias, May 2006, [online], [site visited Jan. 11, 2019]. Retrieved from url:https://www.researchgate.net/publication/224998353_A_Hands-on-Robot_for_Accurate_Placement_of_Pedicle_Screws (Year: 2006).*

* cited by examiner

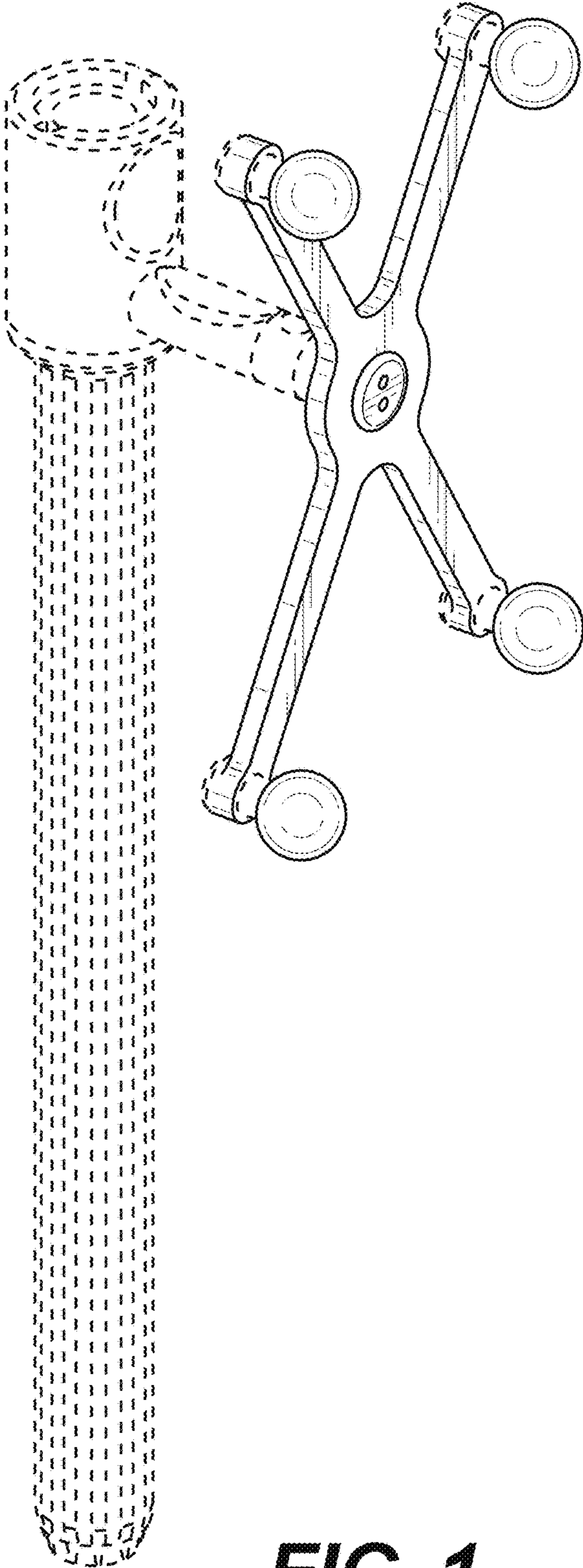


FIG. 1

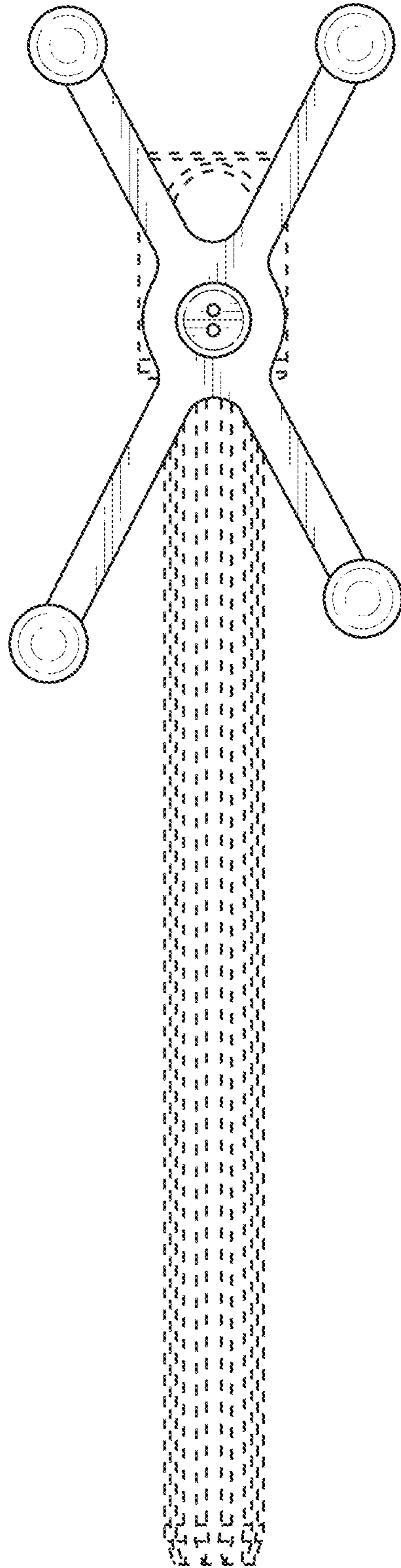


FIG. 2

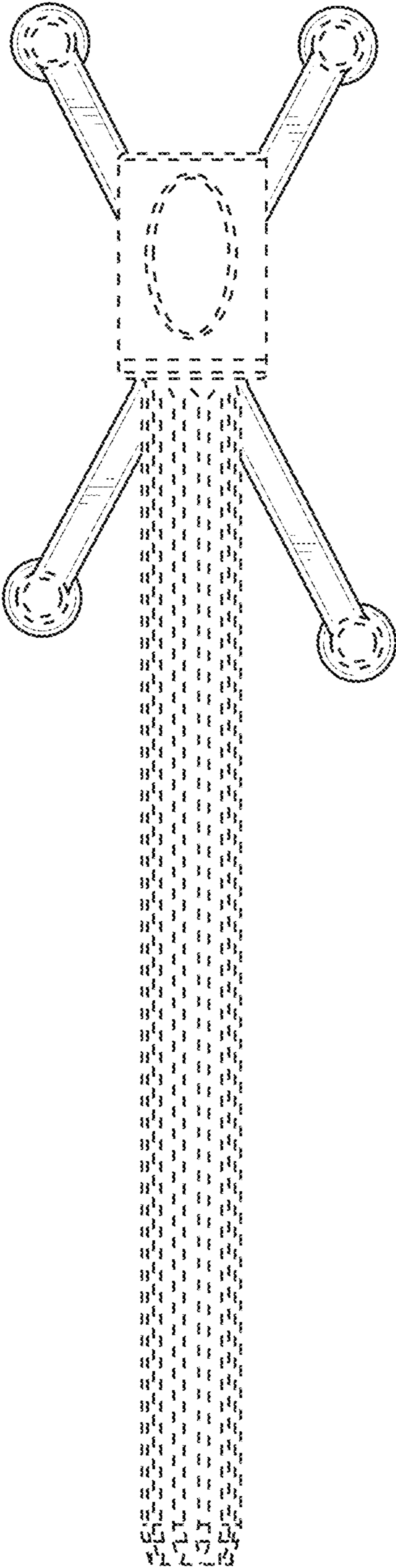


FIG. 3

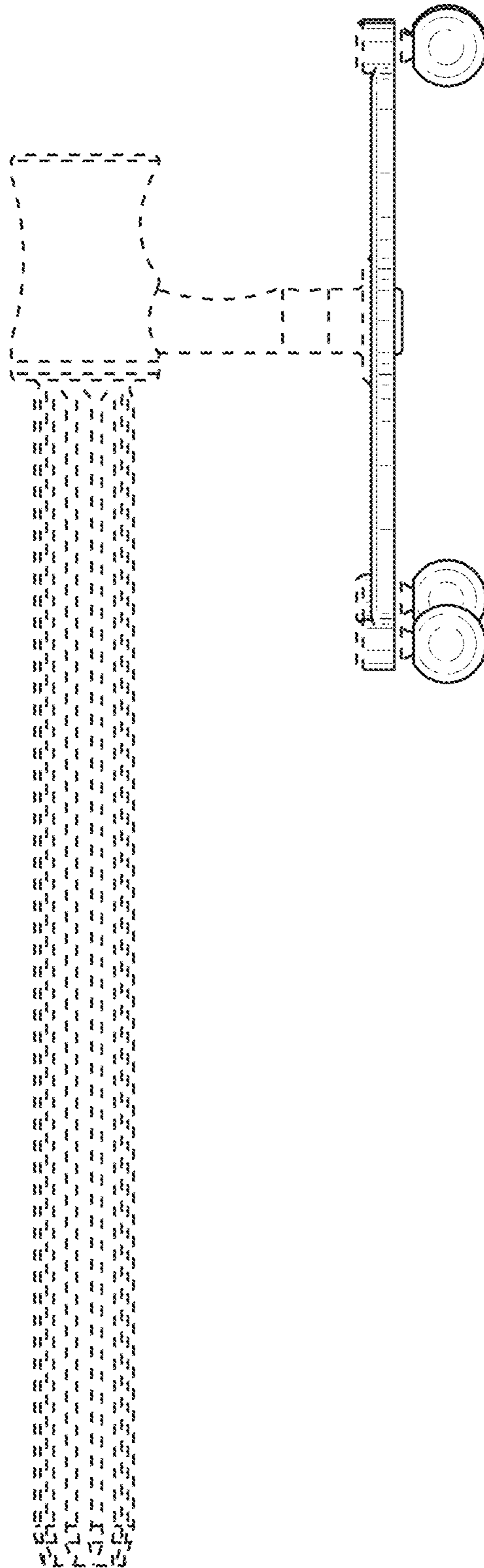


FIG. 4

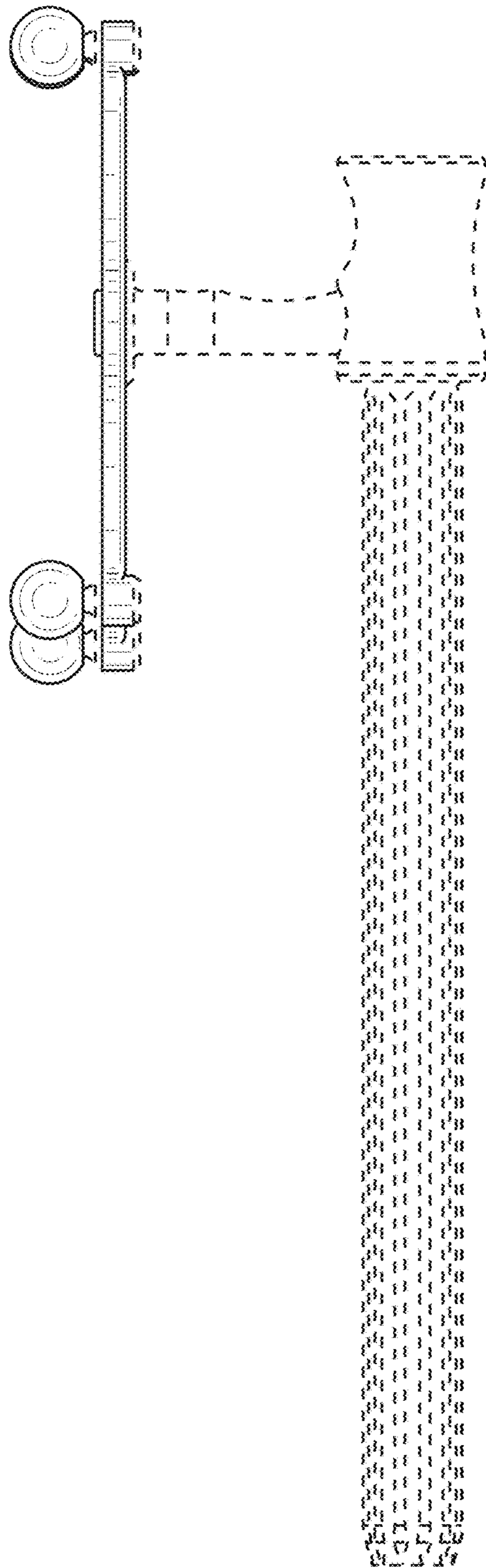


FIG. 5

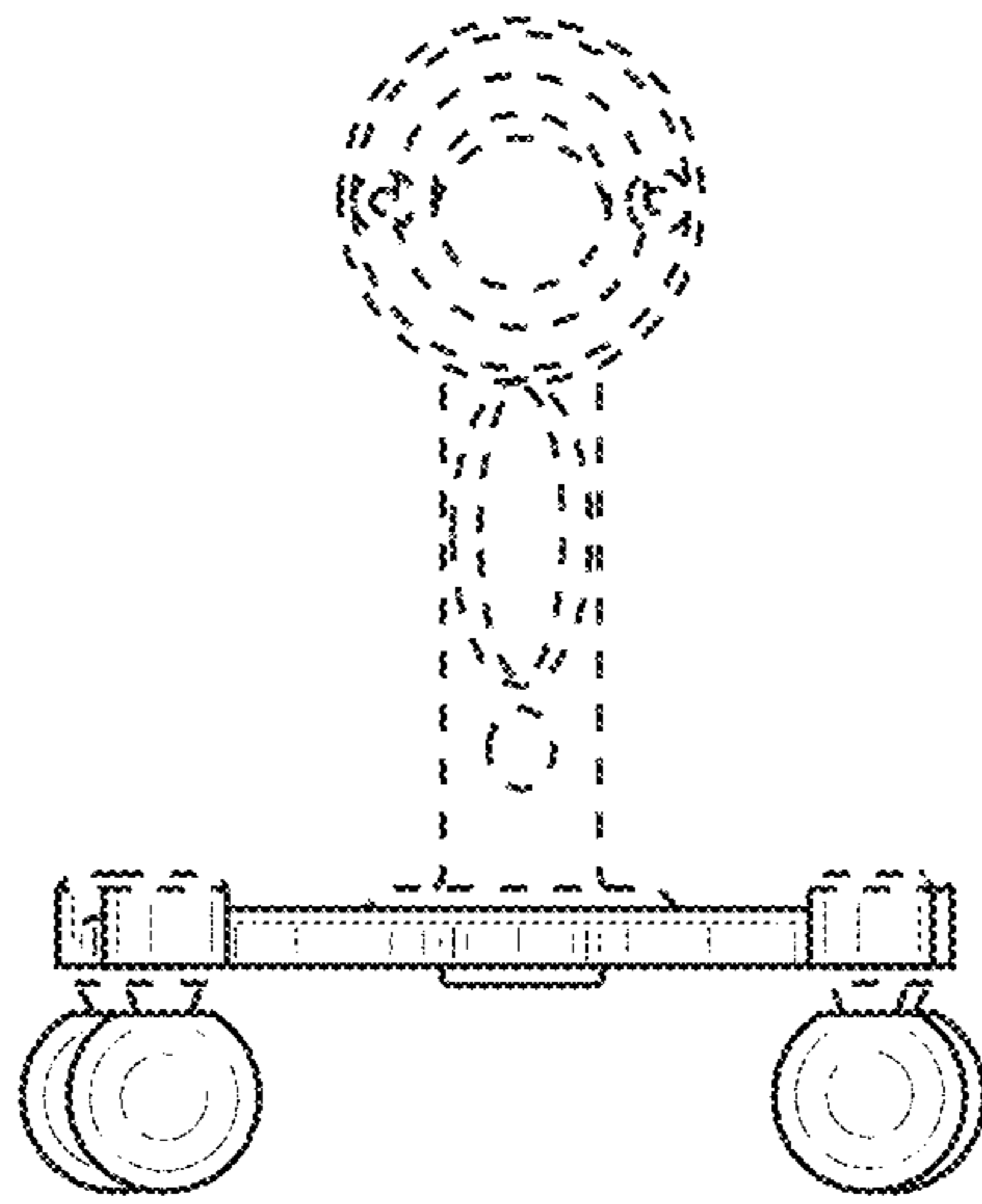


FIG. 6

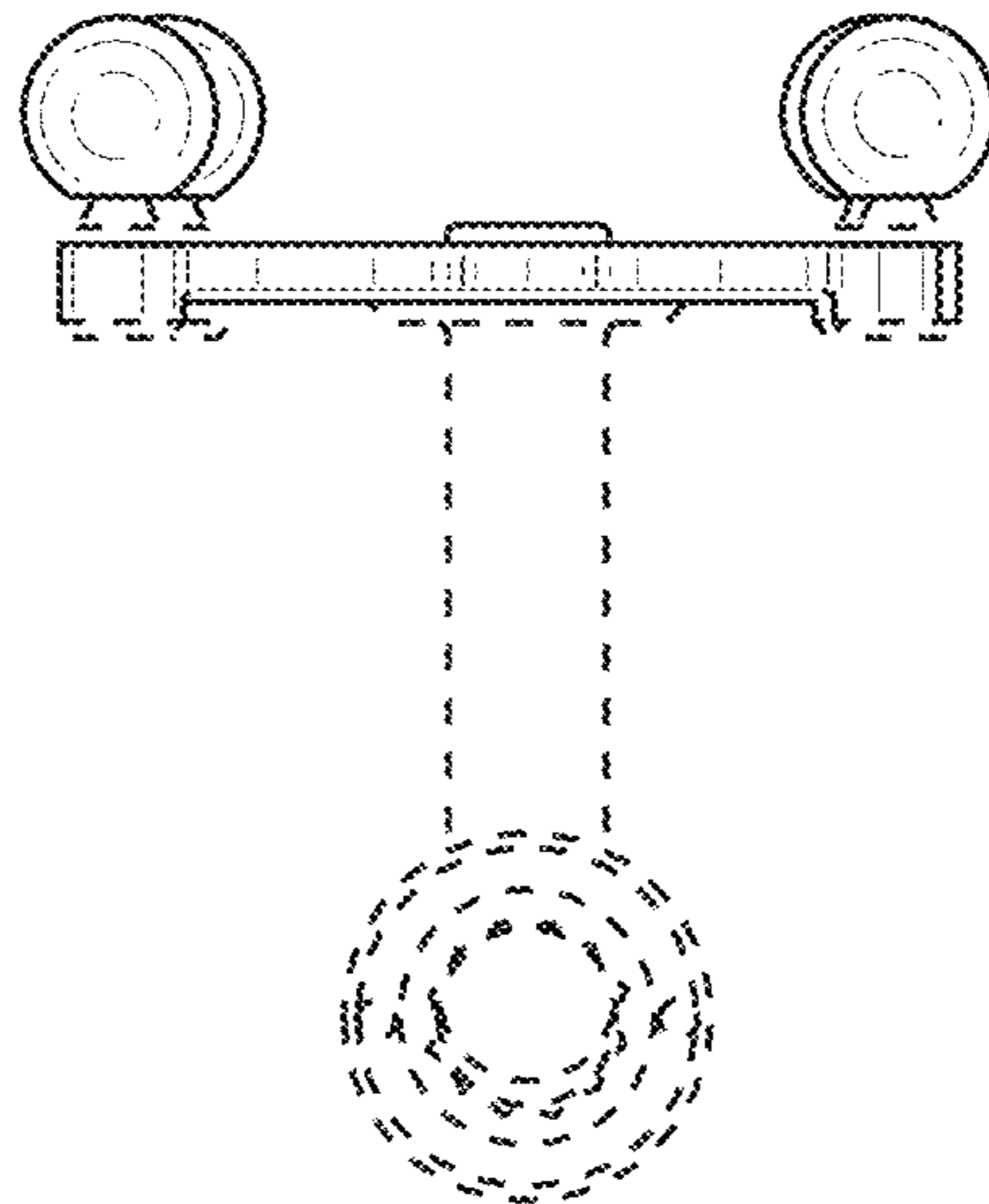


FIG. 7