



US00D860443S

(12) **United States Design Patent** (10) **Patent No.:** **US D860,443 S**
Ostrovsky et al. (45) **Date of Patent:** **** Sep. 17, 2019**

(54) **BASE OF ENDOSCOPE TIP ATTACHMENT**

FOREIGN PATENT DOCUMENTS

(71) Applicant: **HOYA Corporation**, Tokyo (JP)

JP 2003-339631 12/2003
WO WO 2017068404 A1 4/2017

(72) Inventors: **Isaac Ostrovsky**, Wellesley, MA (US);
Azadeh Khanicheh, Somerville, MA (US);
Hrishikesh Vishvas Deo, Brooklyn, NY (US);
Robb Morse Gavalis, Westborough, MA (US)

OTHER PUBLICATIONS

PCT Notification of Transmittal of the International Search Report and the Written Opinion of the International Searching Authority issued in International Application No. PCT/IB2016/001056, dated Oct. 24, 2016.

(73) Assignee: **HOYA CORPORATION**, Tokyo (JP)

(Continued)

(**) Term: **15 Years**

Primary Examiner — Eliza Z Bennett-Hattan

(21) Appl. No.: **29/599,875**

(74) *Attorney, Agent, or Firm* — Finnegan, Henderson, Farabow, Garrett & Dunner, LLP

(22) Filed: **Apr. 7, 2017**

(51) **LOC (12) Cl.** **24-02**

(52) **U.S. Cl.**
USPC **D24/138**

(57) **CLAIM**

(58) **Field of Classification Search**
USPC D24/138, 137, 127, 113, 108, 133
CPC A61B 1/00126
See application file for complete search history.

The ornamental design for a base of an endoscope tip attachment, as shown and described.

DESCRIPTION

(56) **References Cited**

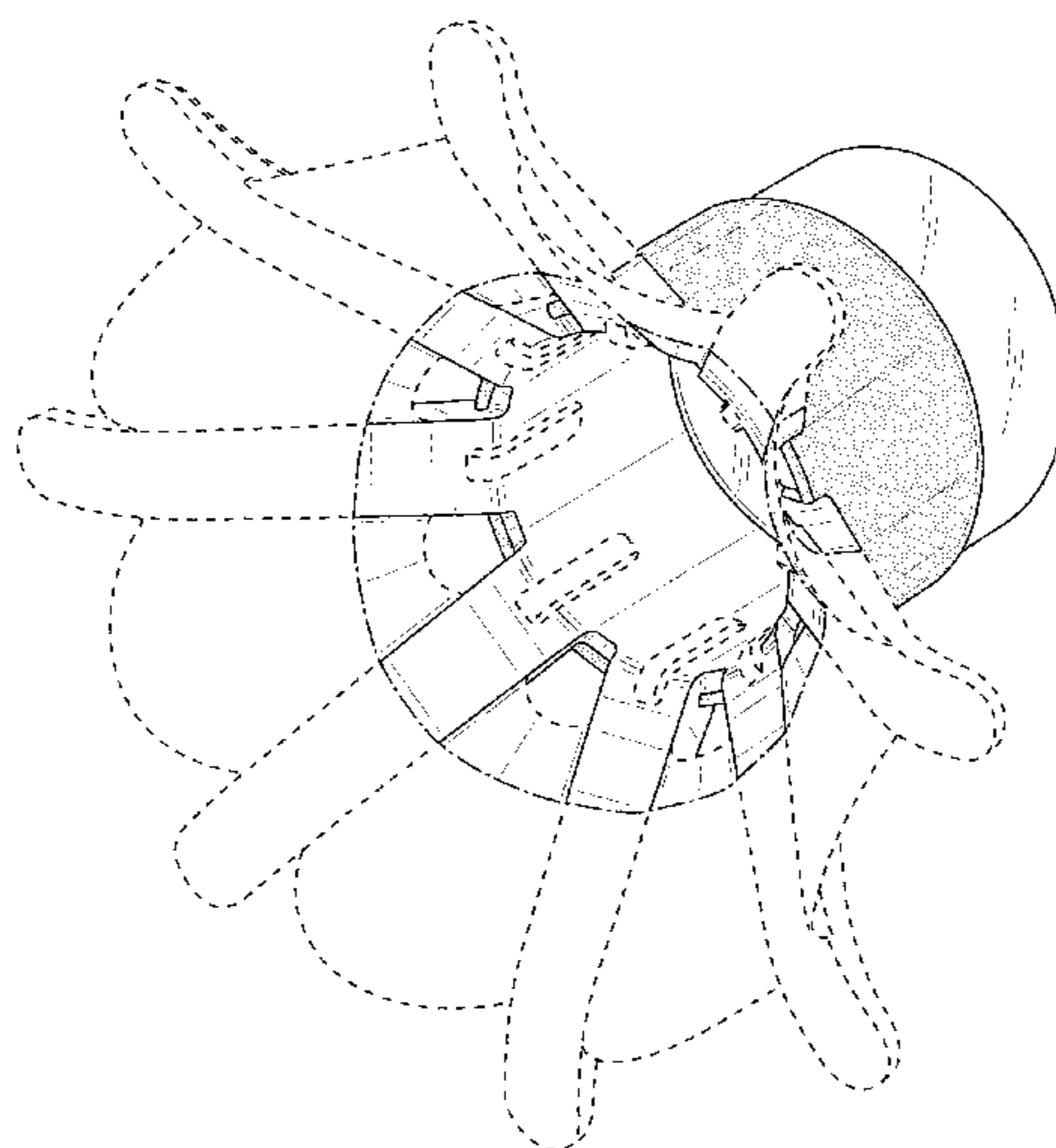
U.S. PATENT DOCUMENTS

1,675,469	A *	7/1928	Schreiner	B23B 51/0406
					408/200
D241,984	S *	10/1976	Lahay	D24/127
D242,491	S *	11/1976	Campagna	D24/127
D397,436	S *	8/1998	Michelson	D24/133
D484,241	S *	12/2003	Peters	D24/108
D616,094	S *	5/2010	Boone, III	D24/133
D637,288	S *	5/2011	Houghton	D24/133
D650,074	S *	12/2011	Hunt	D24/133
D650,075	S *	12/2011	Anglay	D24/130
D747,457	S *	1/2016	Glace	D24/108
D757,935	S *	5/2016	Solingen	D24/133
D816,215	S *	4/2018	Dolgin	D24/127
2006/0161046	A1	7/2006	Ouchi		
2013/0096550	A1	4/2013	Hill		
2015/0148606	A1	5/2015	Rottenberg et al.		

FIG. 1 is a top, front, right perspective view of a base of an endoscope tip attachment, showing our new design, where the base of an endoscope tip attachment is shown with the unclaimed endoscope inserted;
FIG. 2 is a bottom, rear, left perspective view thereof;
FIG. 3 is a rear elevation view thereof;
FIG. 4 is a front elevation view thereof;
FIG. 5 is a left side elevation view thereof;
FIG. 6 is a right side elevation view thereof;
FIG. 7 is a top plan view thereof; and,
FIG. 8 is a bottom plan view thereof.

The broken lines of even length shown in the drawings depict portions of the base of an endoscope tip attachment that form no part of the claimed design. The uneven length broken lines depict the boundary of the claimed design and form no part thereof.

1 Claim, 8 Drawing Sheets



(56)

References Cited

U.S. PATENT DOCUMENTS

2017/0112365 A1 4/2017 Ostrovsky et al.
2018/0168437 A1* 6/2018 Schreiner A61B 1/00101

OTHER PUBLICATIONS

Design U.S. Appl. No. 29/599,863; Endoscope Tip Attachment; Isaac Ostrovsky et al; filed Apr. 7, 2017.
Design U.S. Appl. No. 29/599,888; Endoscope Distal Tip Attachment; Isaac Ostrovsky et al; filed Apr. 7, 2017.
Design U.S. Appl. No. 29/599,870; Unit Cell of Endoscope Tip Attachment; Isaac Ostrovsky et al; filed Apr. 7, 2017.
Design U.S. Appl. No. 29/599,877; Slanted Base of Endoscope Tip Attachment; Isaac Ostrovsky et al; filed Apr. 7, 2017.

* cited by examiner

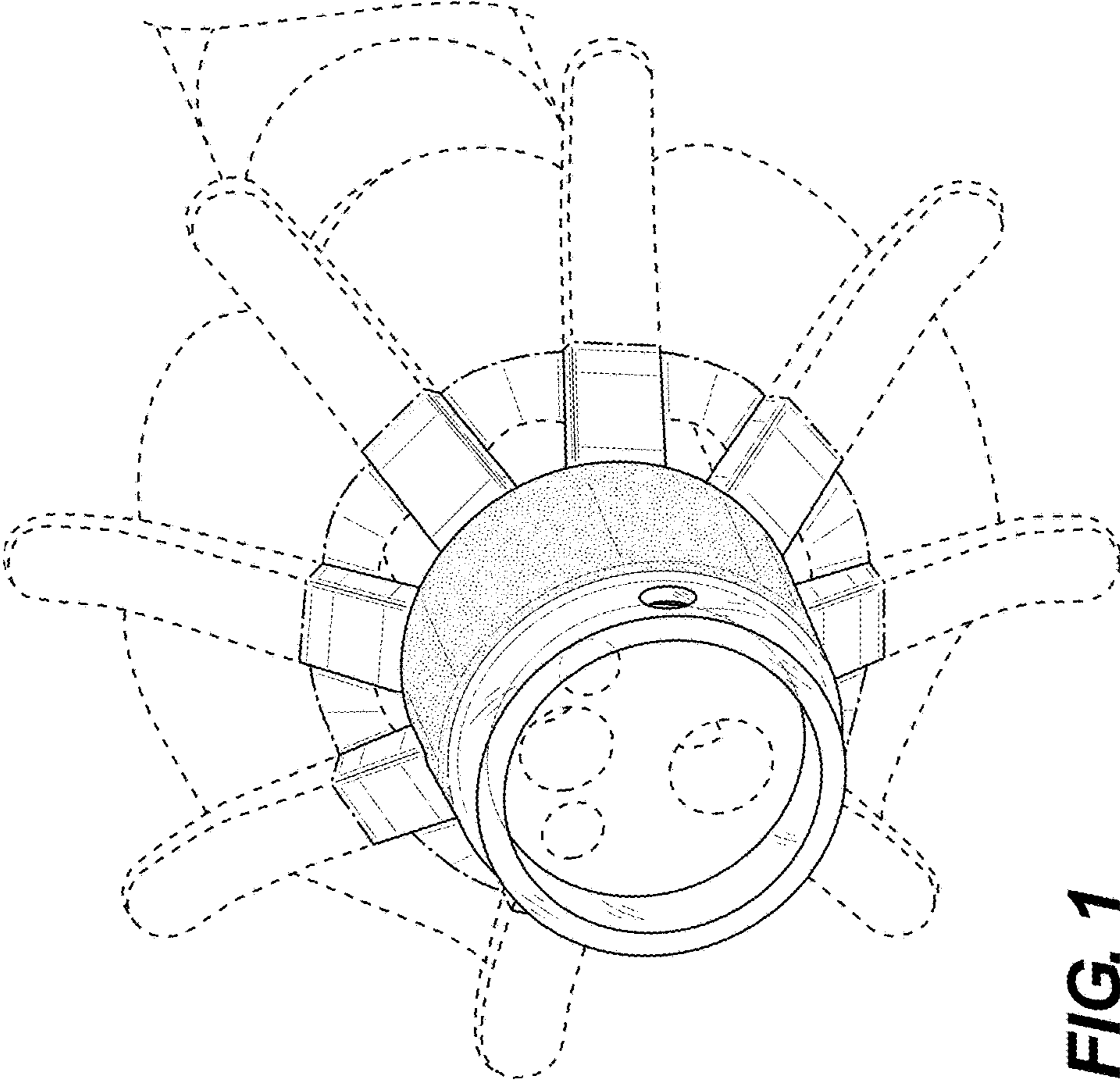


FIG. 1

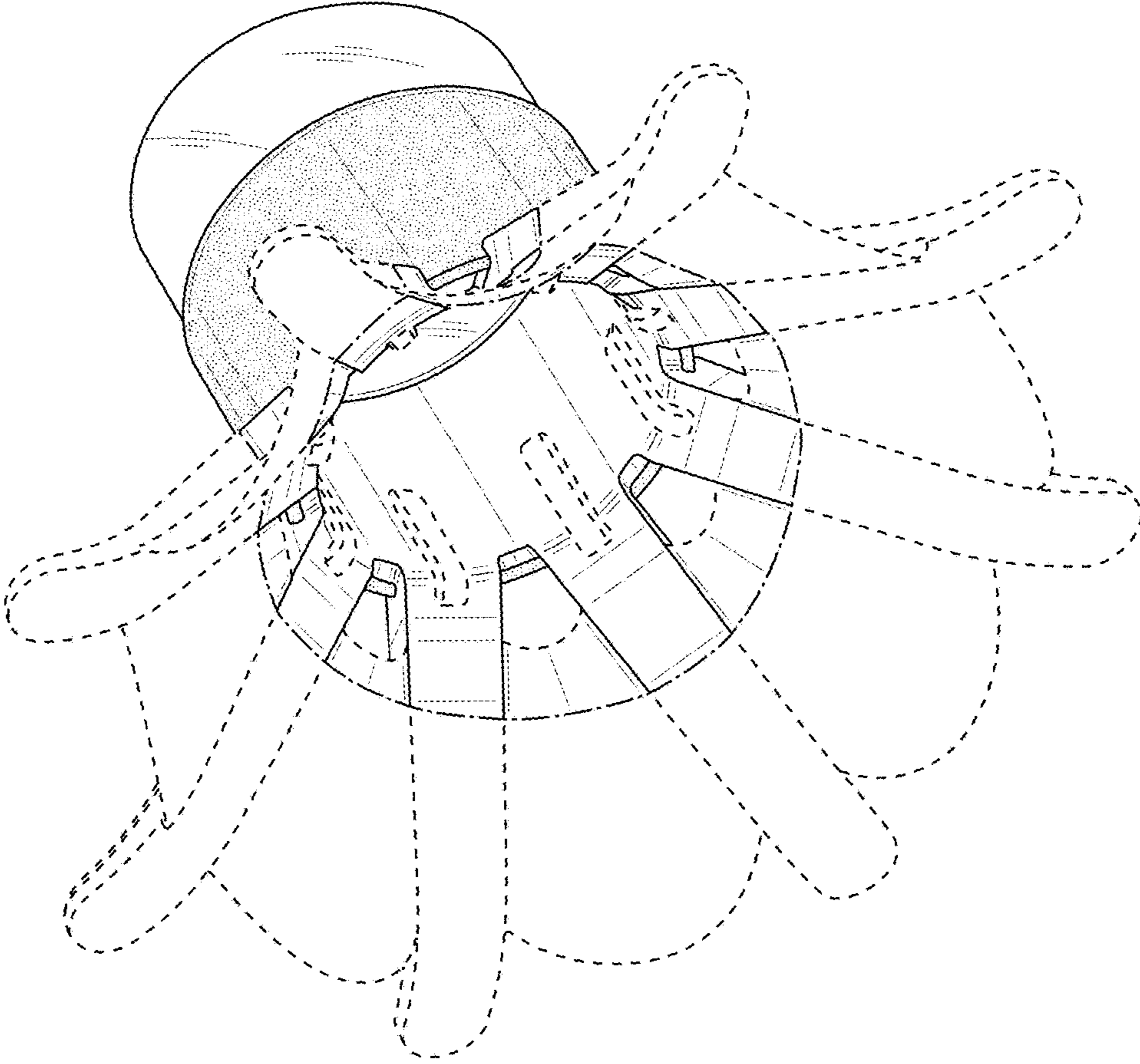


FIG. 2

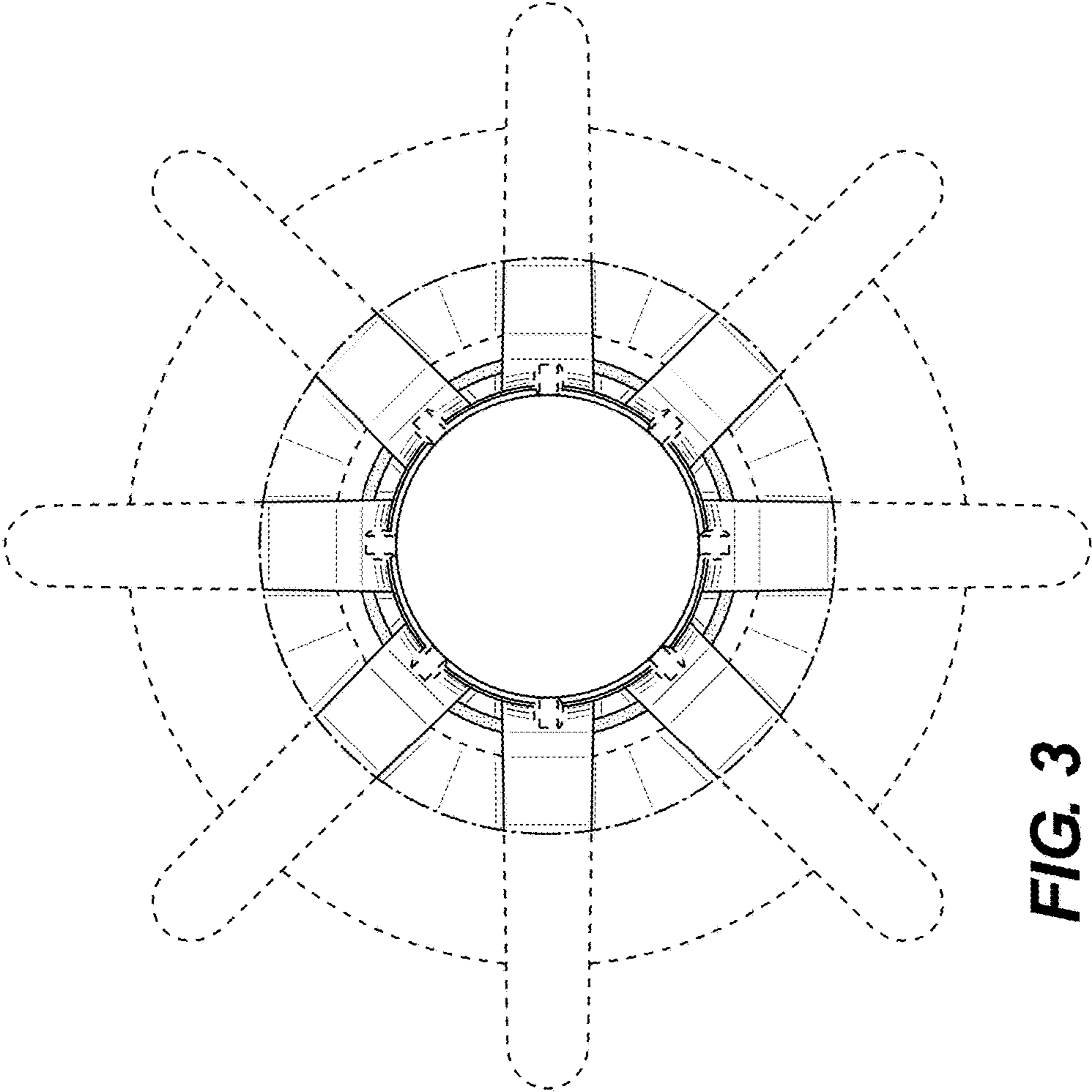


FIG. 3

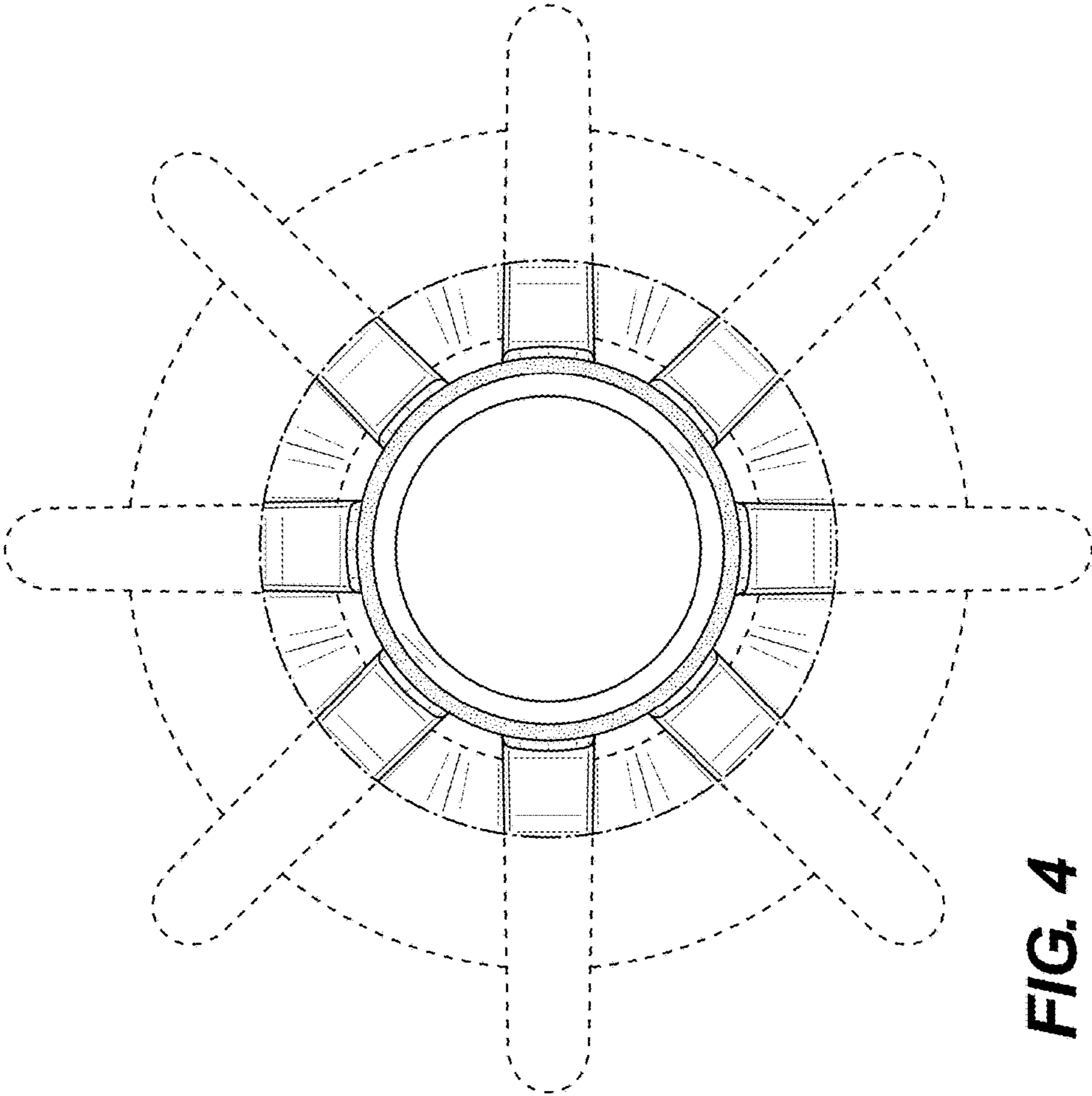


FIG. 4

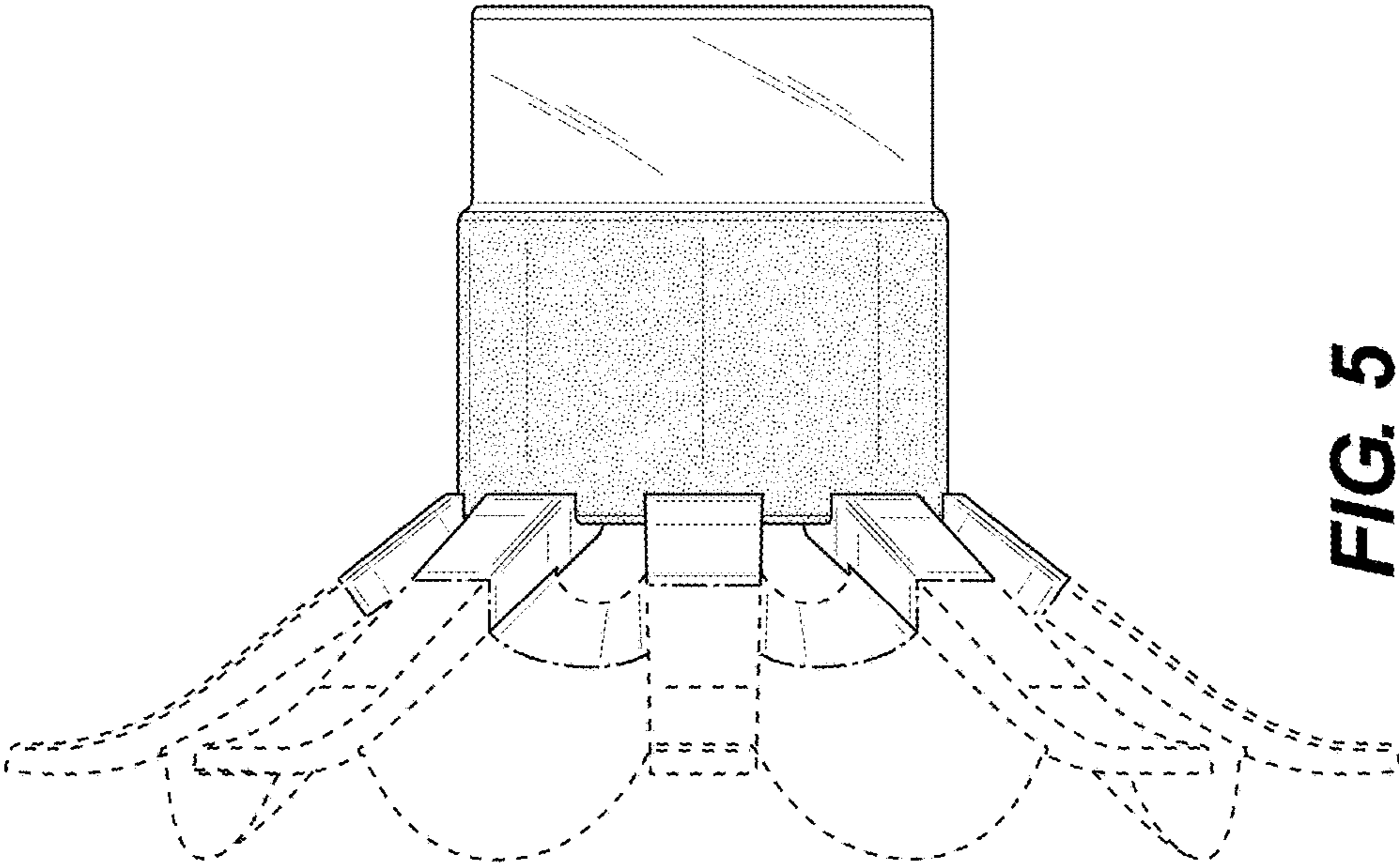


FIG. 5

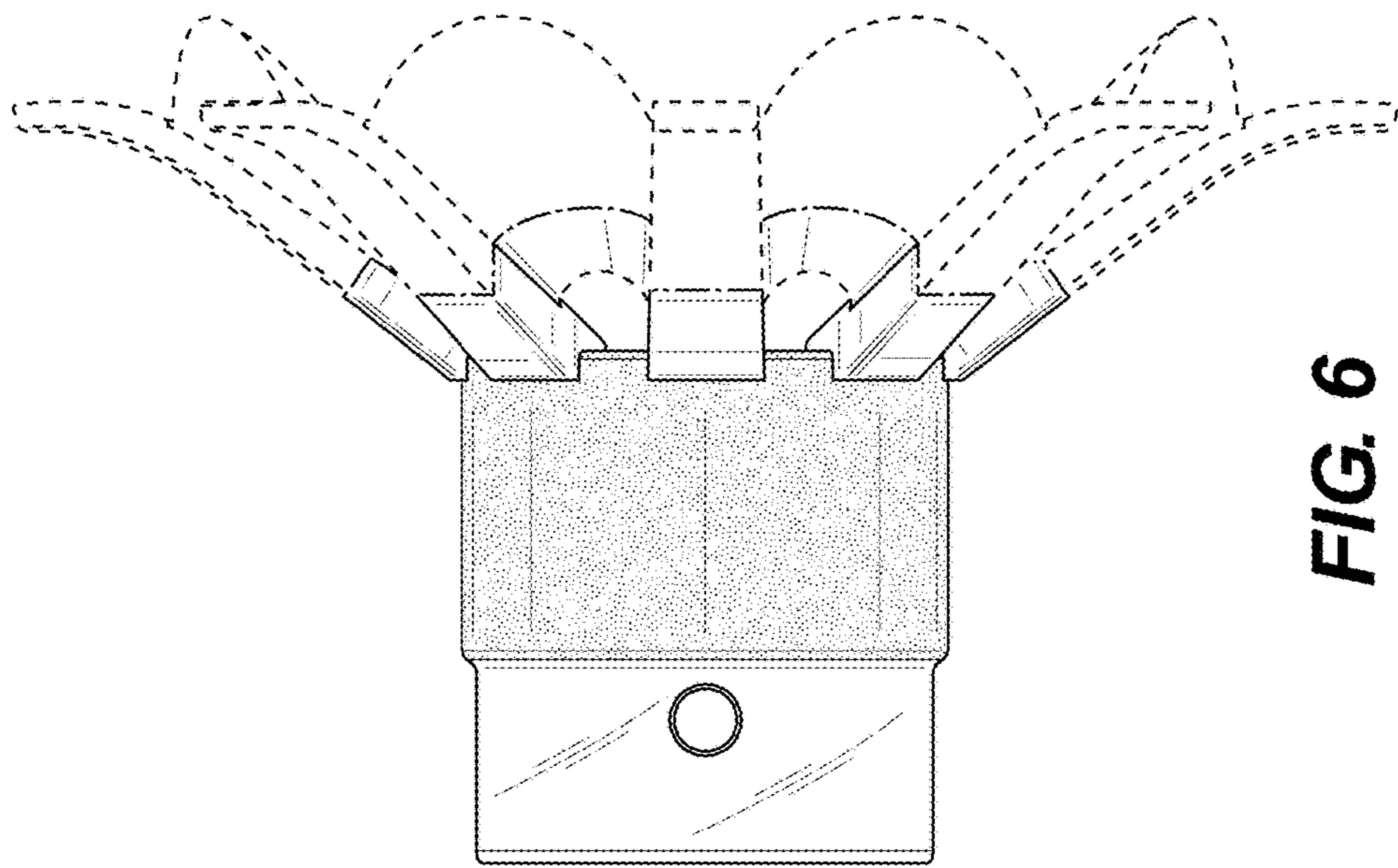


FIG. 6

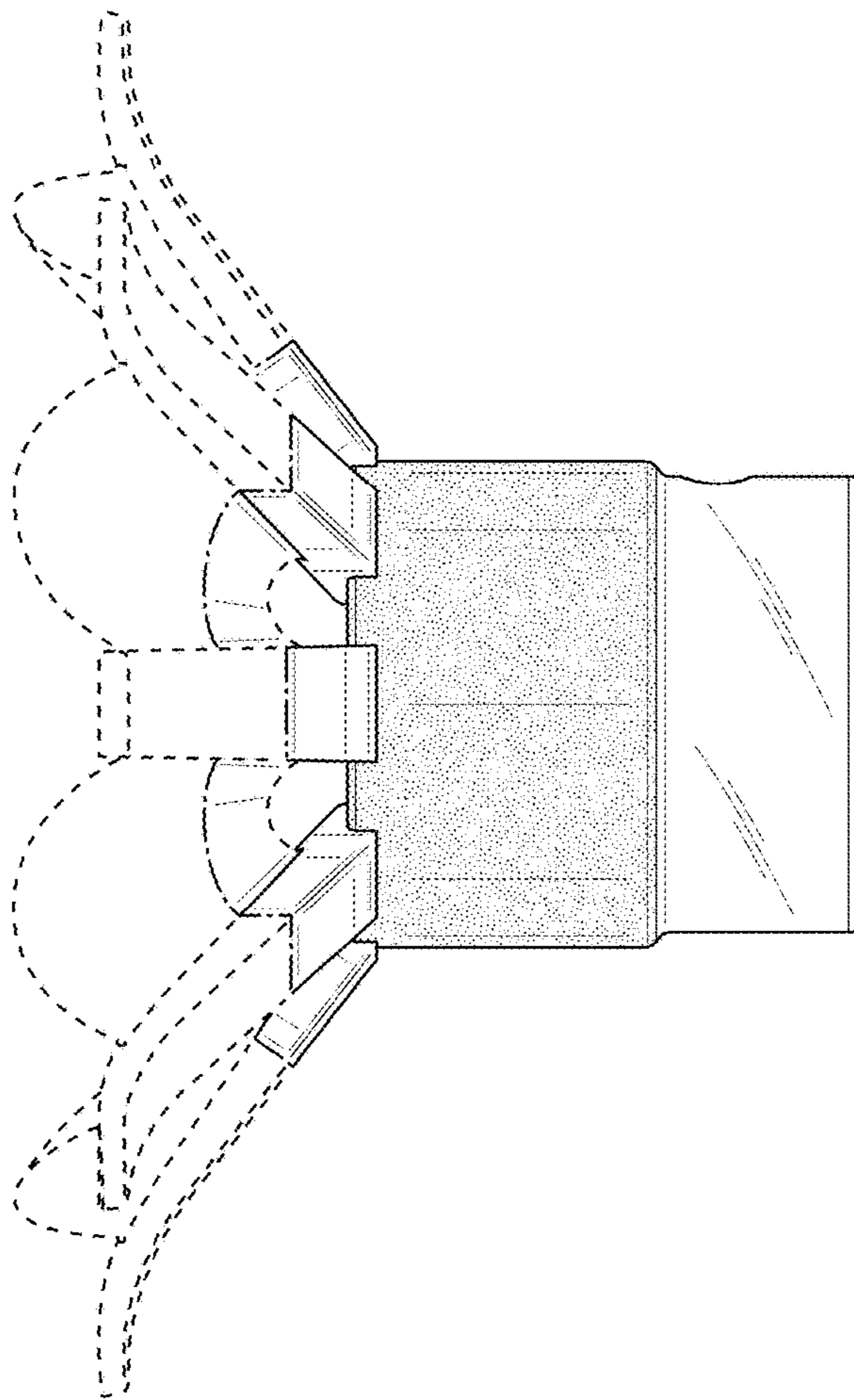


FIG. 7

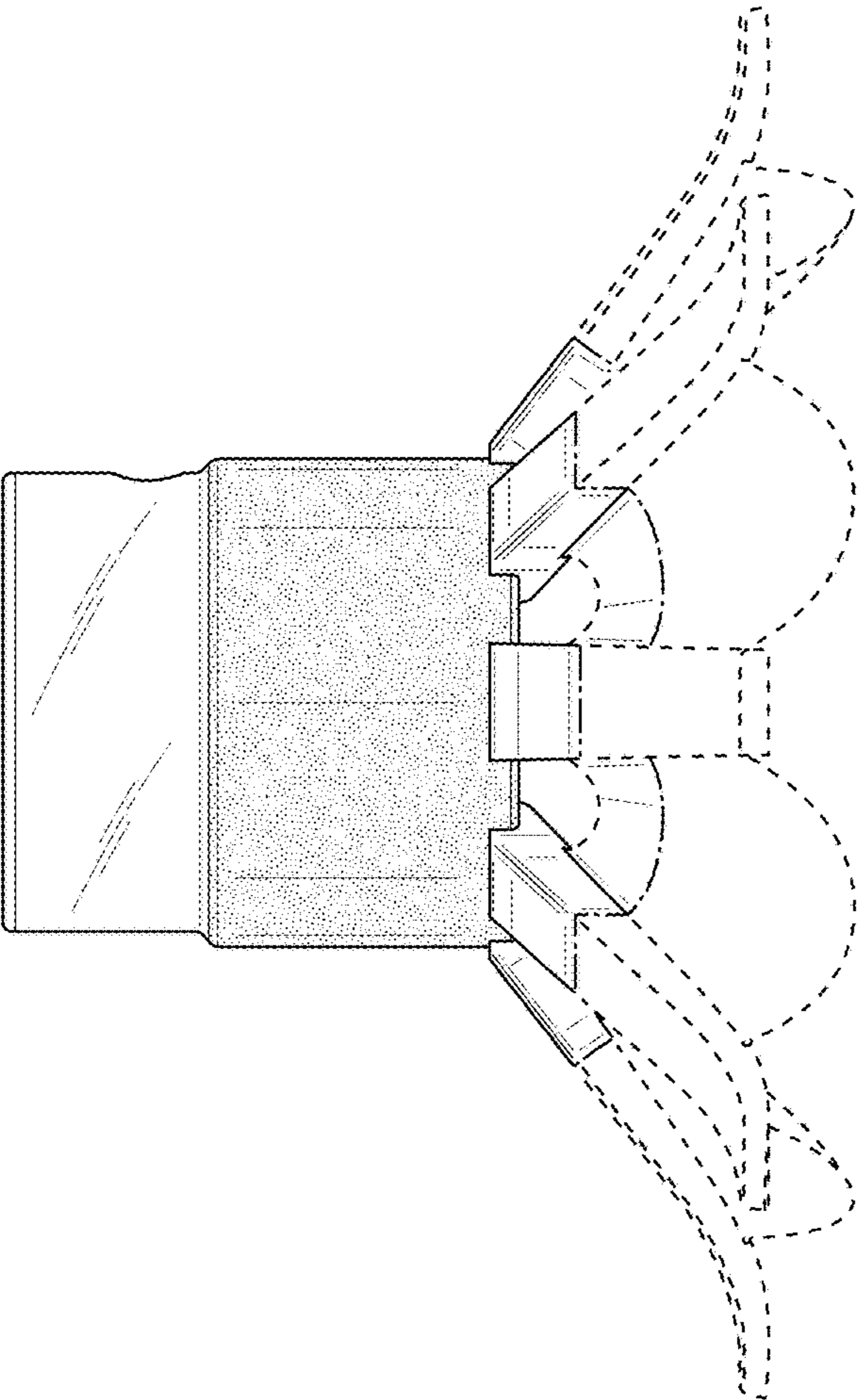


FIG. 8