



US00D860442S

(12) **United States Design Patent** (10) **Patent No.:** **US D860,442 S**  
**Ostrovsky et al.** (45) **Date of Patent:** **\*\* Sep. 17, 2019**

(54) **ENDOSCOPE TIP ATTACHMENT**  
(71) Applicant: **HOYA Corporation**, Tokyo (JP)  
(72) Inventors: **Isaac Ostrovsky**, Wellesley, MA (US);  
**Azadeh Khanicheh**, Somerville, MA (US); **Hrishikesh Vishvas Deo**,  
Brooklyn, NY (US); **Robb Morse**  
**Gavalis**, Westborough, MA (US)

2013/0096550 A1 4/2013 Hill  
2015/0148606 A1 5/2015 Rottenberg et al.  
2017/0112365 A1 4/2017 Ostrovsky et al.  
(Continued)

FOREIGN PATENT DOCUMENTS

JP 2003-339631 12/2003  
WO WO 2017068404 A1 4/2017

OTHER PUBLICATIONS

PCT Notification of Transmittal of the International Search Report and the Written Opinion of the International Searching Authority issued in International Application No. PCT/IB2016/001056, dated Oct. 24, 2016.

(Continued)

*Primary Examiner* — Eliza Z Bennett-Hattan

(74) *Attorney, Agent, or Firm* — Finnegan, Henderson, Farabow, Garrett & Dunner, LLP

(57) **CLAIM**

The ornamental design for an endoscope tip attachment, as shown and described.

**DESCRIPTION**

FIG. 1 is a top, front, right perspective view of an endoscope tip attachment, showing our new design;  
FIG. 2 is a bottom, rear, left perspective view thereof;  
FIG. 3 a front elevation view thereof;  
FIG. 4 is a rear elevation view thereof;  
FIG. 5 is left side elevation view thereof;  
FIG. 6 is right side elevation view thereof;  
FIG. 7 is a top plan view thereof;  
FIG. 8 is a bottom plan view thereof; and,  
FIG. 9 a top, front, right perspective view of the endoscope tip attachment in an alternate configuration.  
The broken lines of even length shown in the drawings depict portions of the endoscope tip attachment that form no part of the claimed design.

**1 Claim, 9 Drawing Sheets**

(73) Assignee: **HOYA CORPORATION**, Tokyo (JP)

(\*\*) Term: **15 Years**

(21) Appl. No.: **29/599,863**

(22) Filed: **Apr. 7, 2017**

(51) **LOC (12) Cl.** ..... **24-02**

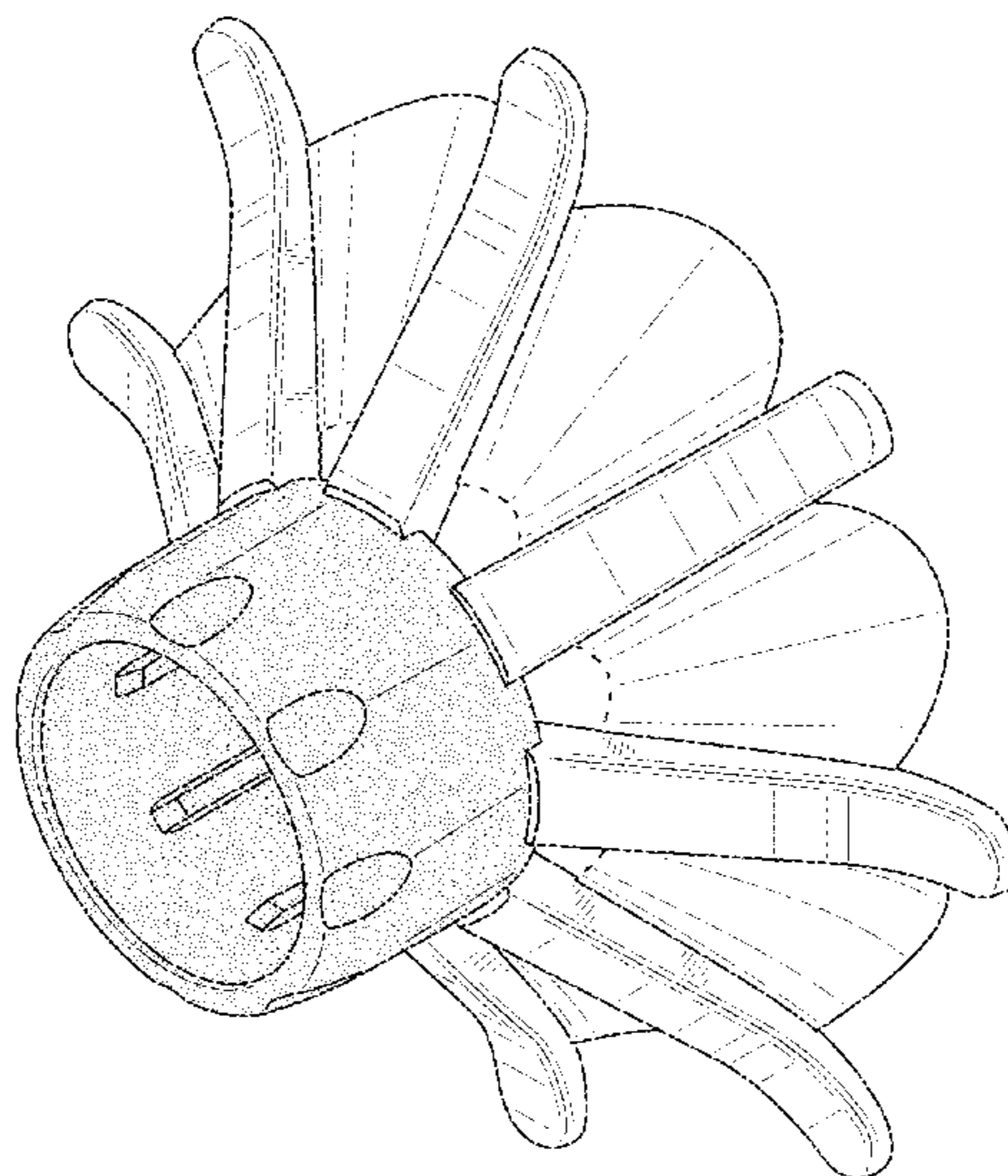
(52) **U.S. Cl.**  
USPC ..... **D24/138**

(58) **Field of Classification Search**  
USPC ..... D24/138, 137, 127, 113, 108, 133  
CPC ..... A61B 1/00126  
See application file for complete search history.

(56) **References Cited**

U.S. PATENT DOCUMENTS

1,675,469 A \* 7/1928 Schreiner ..... B23B 51/0406  
408/200  
D241,984 S \* 10/1976 Lahay ..... D24/127  
D242,491 S \* 11/1976 Campagna ..... D24/127  
D397,436 S \* 8/1998 Michelson ..... D24/133  
D484,241 S \* 12/2003 Peters ..... D24/108  
D616,094 S \* 5/2010 Boone, III ..... D24/133  
D637,288 S \* 5/2011 Houghton ..... D24/133  
D650,074 S \* 12/2011 Hunt ..... D24/133  
D650,075 S \* 12/2011 Anglay ..... D24/130  
D747,457 S \* 1/2016 Glace ..... D24/108  
D757,935 S \* 5/2016 Solingen ..... D24/133  
D816,215 S \* 4/2018 Dolgin ..... D24/127  
2006/0161046 A1 7/2006 Ouchi



(56)

**References Cited**

U.S. PATENT DOCUMENTS

2018/0168437 A1\* 6/2018 Schreiner ..... A61B 1/00101

OTHER PUBLICATIONS

Design U.S. Appl. No. 29/599,888; Endoscope Distal Tip Attachment; Isaac Ostrovsky et al; filed Apr. 7, 2017.

Design U.S. Appl. No. 29/599,870; Unit Cell of Endoscope Tip Attachment; Isaac Ostrovsky et al; filed Apr. 7, 2017.

Design U.S. Appl. No. 29/599,875; Base of Endoscope Tip Attachment; Isaac Ostrovsky et al; filed Apr. 7, 2017.

Design U.S. Appl. No. 29/599,877; Slanted Base of Endoscope Tip Attachment; Isaac Ostrovsky et al; filed Apr. 7, 2017.

\* cited by examiner

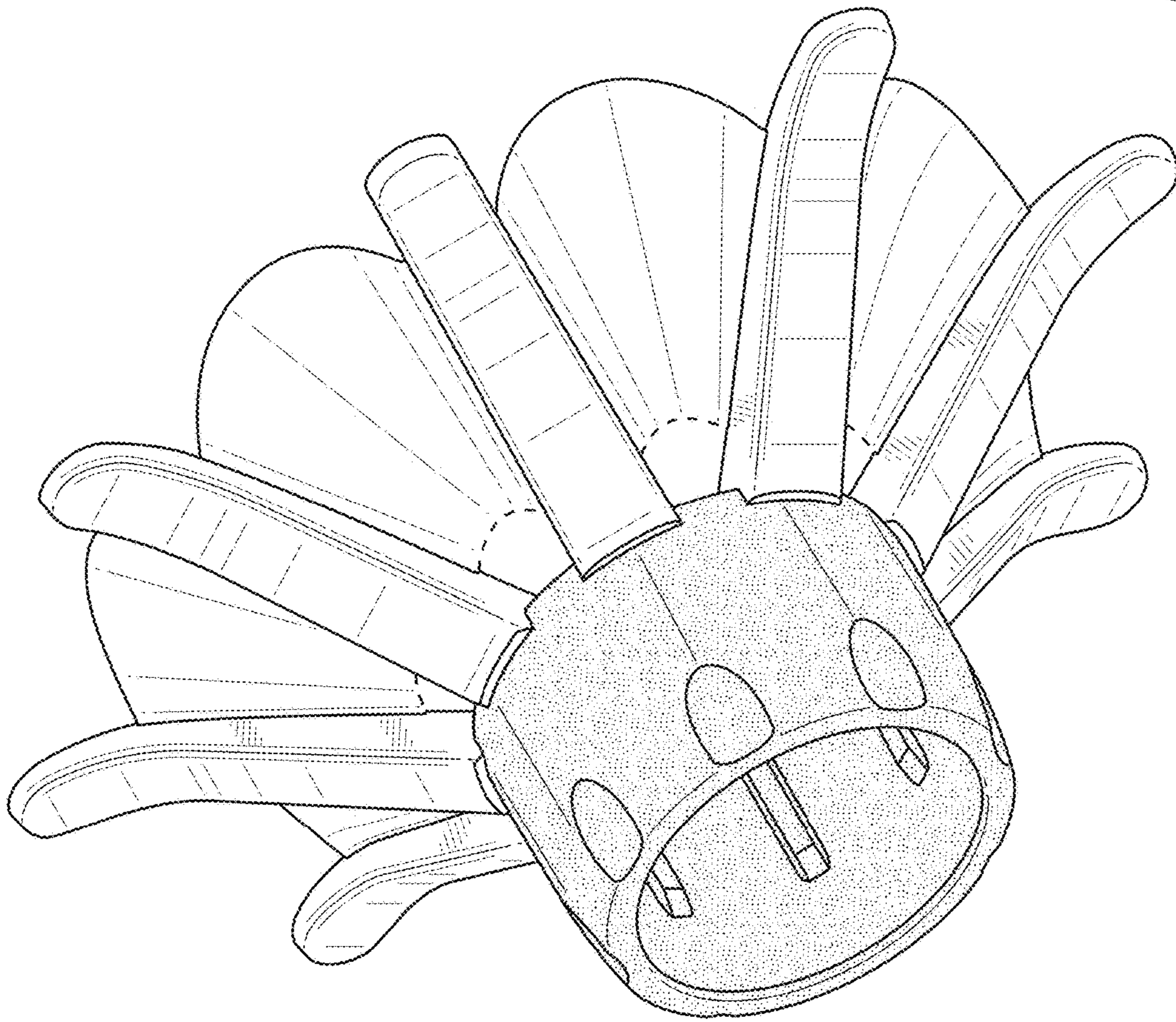


FIG. 1

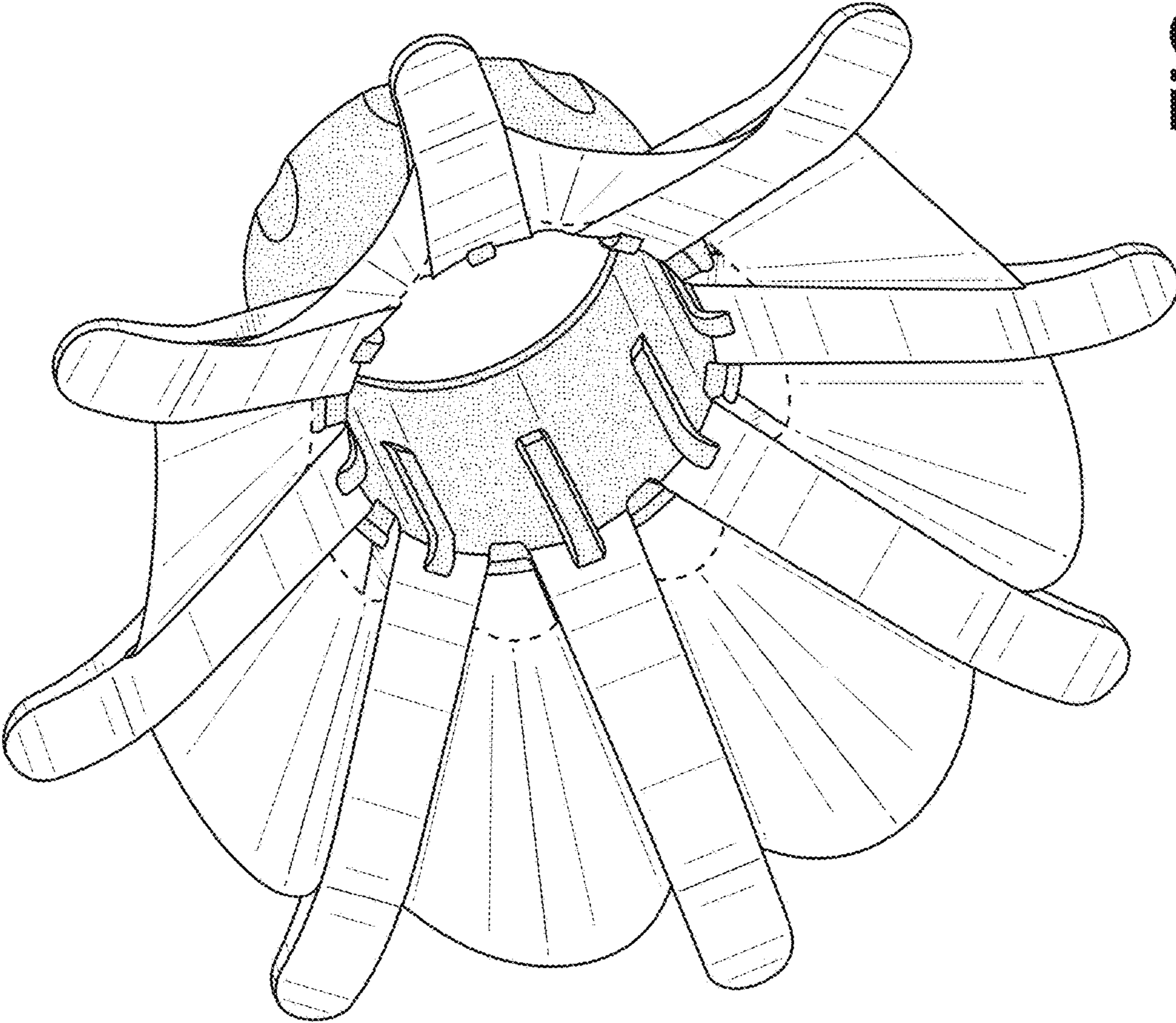


FIG. 2

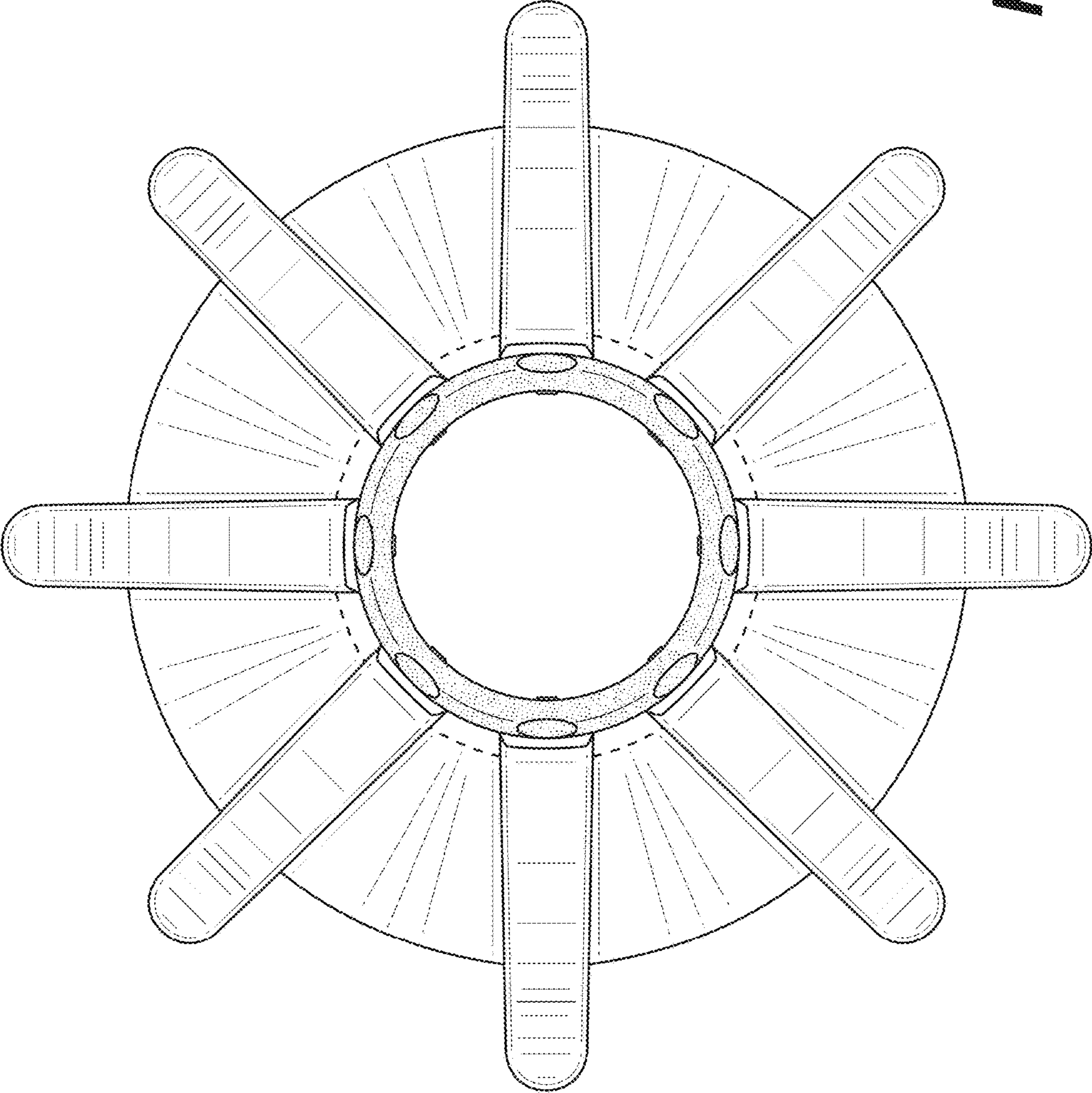


FIG. 3

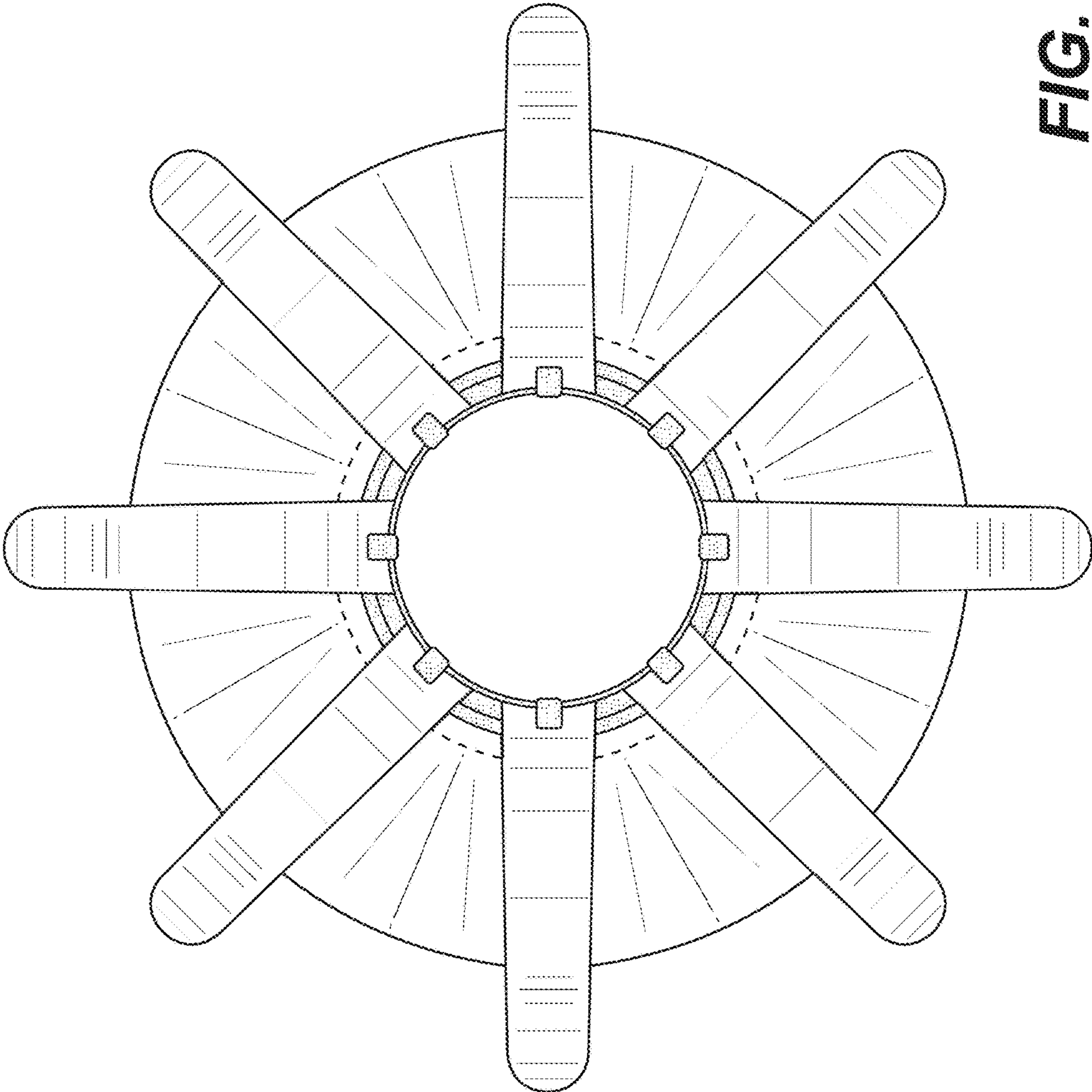


FIG. 4

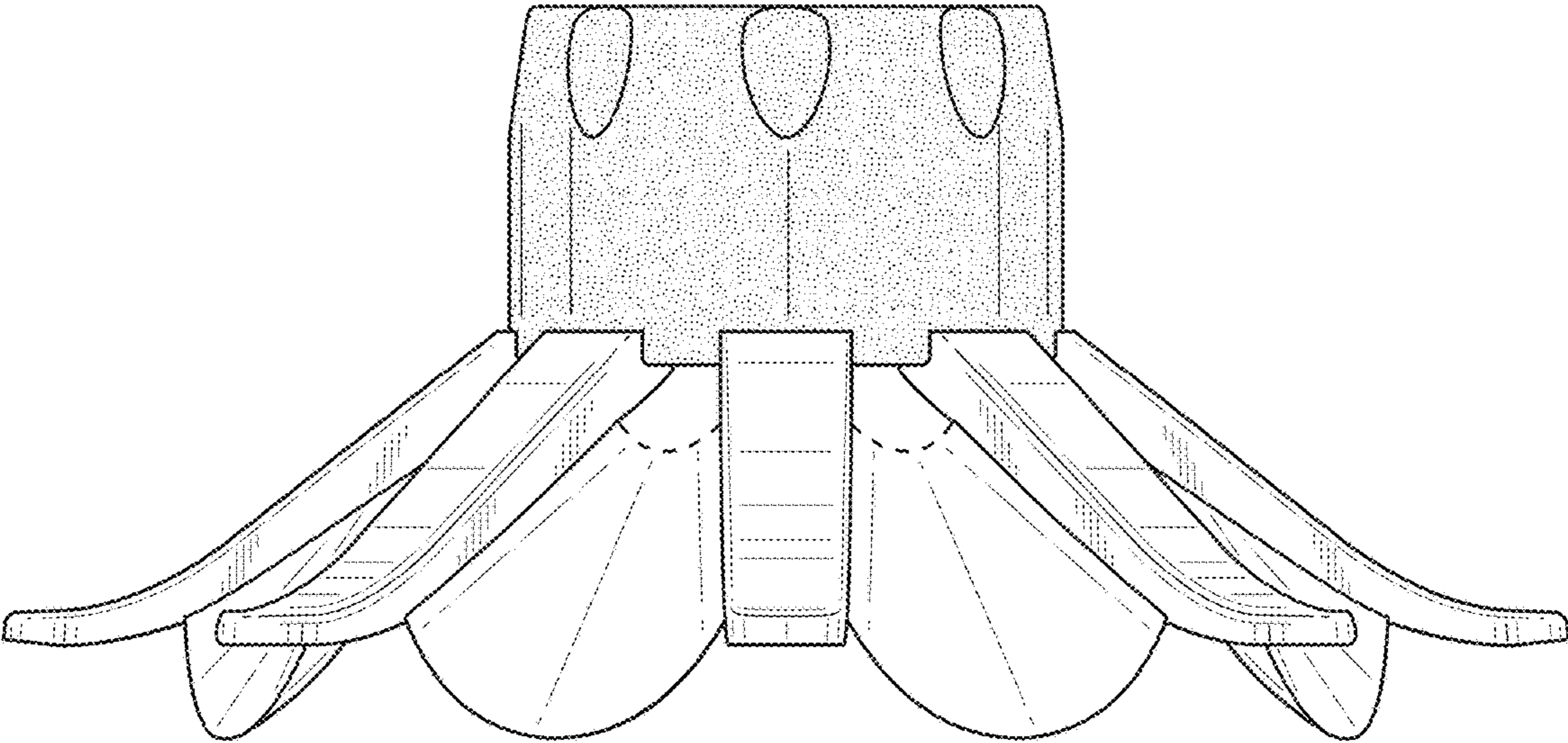


FIG. 5

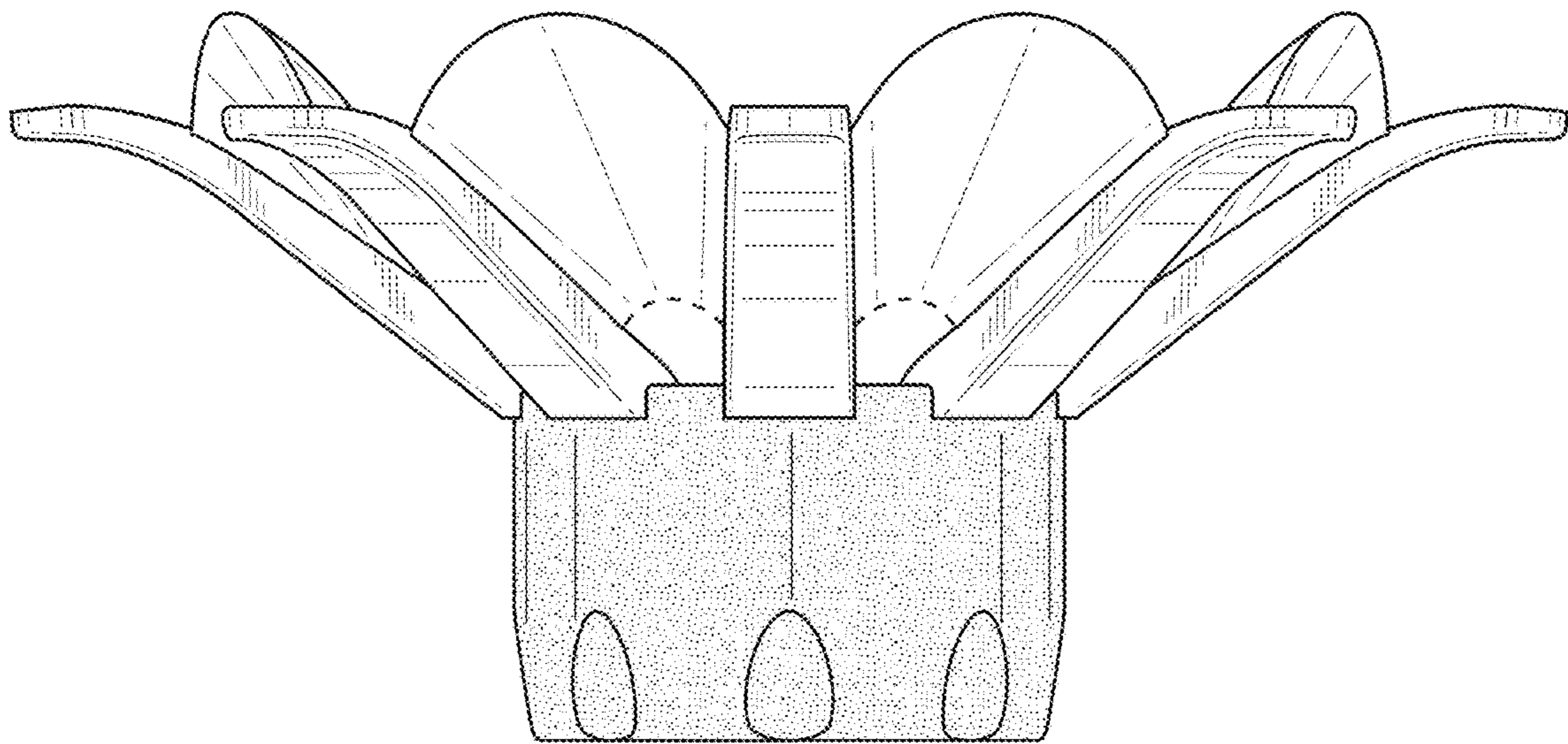
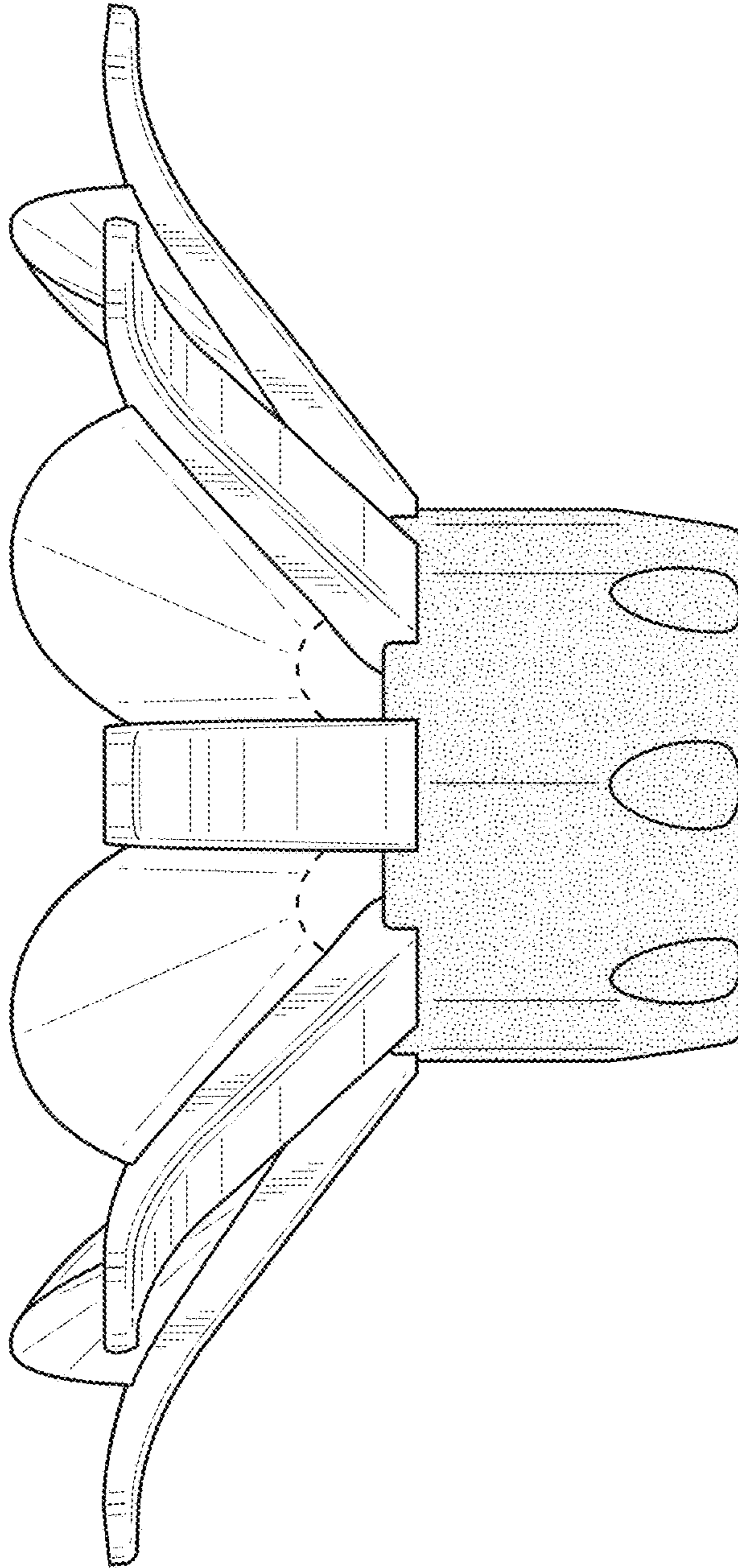
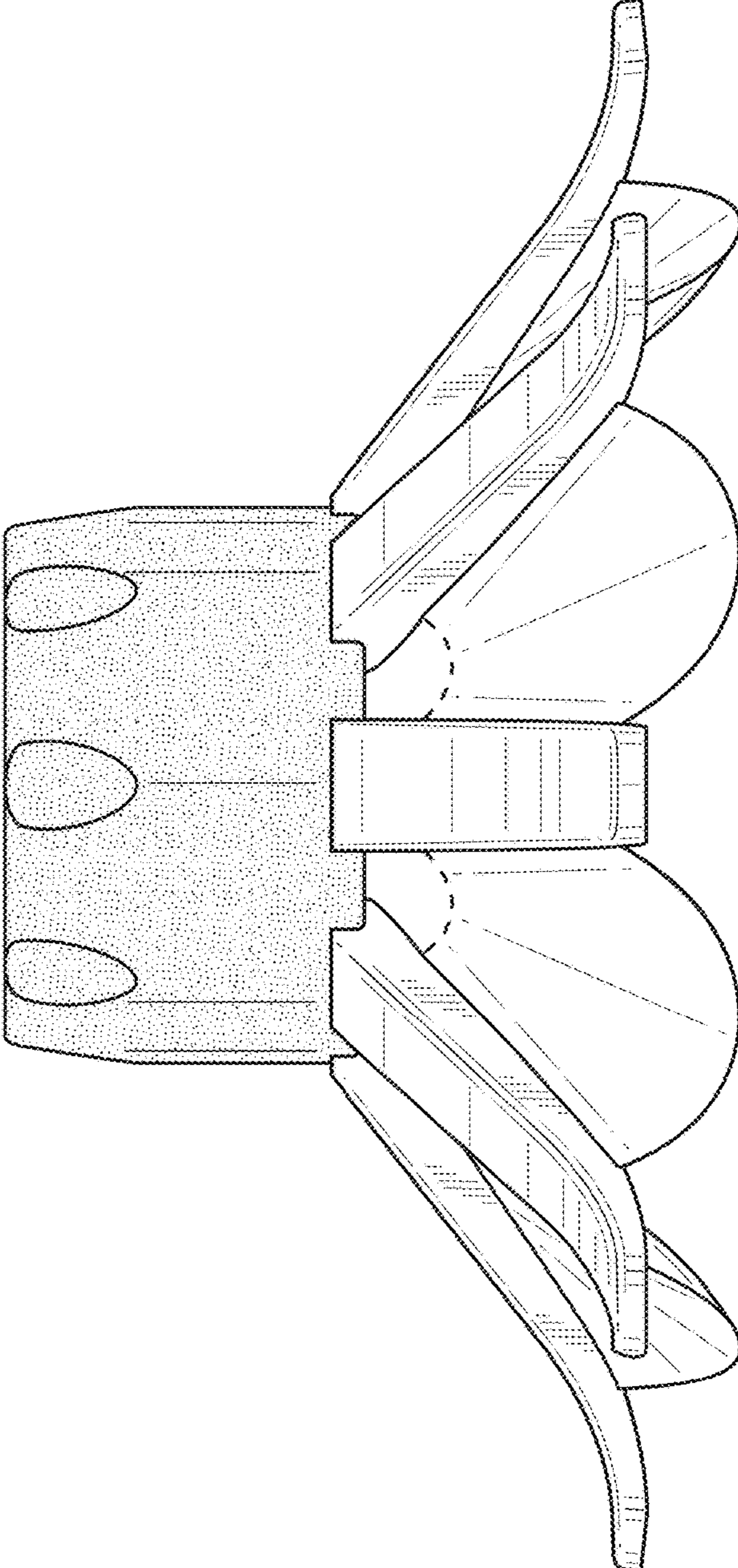


FIG. 6





**FIG. 7**



**FIG. 8**

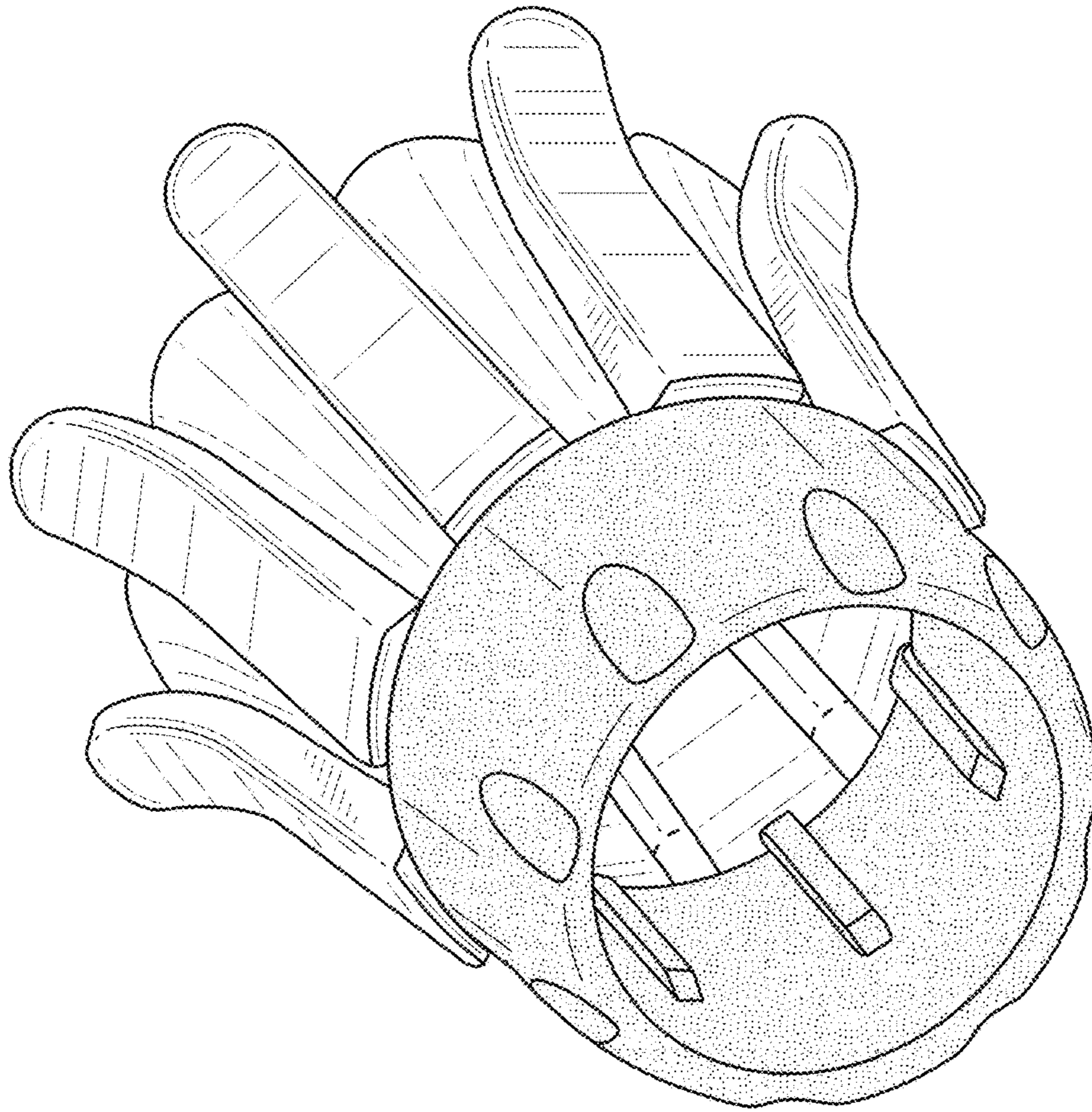


FIG. 9