



US00D860441S

(12) **United States Design Patent**
Spycher et al.

(10) **Patent No.:** **US D860,441 S**

(45) **Date of Patent:** **** Sep. 17, 2019**

(54) **MULTI-FUNCTIONAL GRIP**

(71) Applicant: **KARL STORZ SE & Co. KG,**
Tuttlingen (DE)

(72) Inventors: **Raphael Spycher,** Eschenz (CH); **Peter van Mil,** Winterthur (CH); **Fabian Zimmerli,** Aarau (CH)

(73) Assignee: **KARL STORZ SE & Co. KG,**
Tuttlingen (DE)

(**) Term: **15 Years**

(21) Appl. No.: **29/633,949**

(22) Filed: **Jan. 17, 2018**

(30) **Foreign Application Priority Data**

Jul. 17, 2017 (EM) 004107506-0001

(51) **LOC (12) Cl.** **24-02**

(52) **U.S. Cl.**
USPC **D24/133**

(58) **Field of Classification Search**
USPC D24/133, 147, 137, 138
CPC A61B 17/2909; A61B 17/0469; A61B 17/0483; A61B 17/0485; A61B 1/313; A61B 1/3132; A61B 1/3135; A61B 1/3137; A61B 1/317; A61B 1/32
See application file for complete search history.

(56) **References Cited**

U.S. PATENT DOCUMENTS

- 4,400,168 A * 8/1983 Buechel A61M 1/0039 433/95
- D329,092 S * 9/1992 Carusillo D24/146
- D439,334 S * 3/2001 Hershberger D24/133
- D478,986 S * 8/2003 Johnston D24/133
- D545,427 S 6/2007 Gibson et al.
- D650,073 S * 12/2011 Pedersen D24/133

- D684,723 S * 6/2013 Tsai D24/133
- D710,003 S * 7/2014 Rimsa D24/113
- D759,244 S * 6/2016 Leugers D24/146
- D777,326 S * 1/2017 Sainsbury D24/133
- D785,173 S * 4/2017 Oberkircher D24/138
- D831,819 S * 10/2018 Genender D24/108

(Continued)

FOREIGN PATENT DOCUMENTS

- CN 302432232 * 5/2013
- CN 304019417 * 1/2017

Primary Examiner — Susan Bennett Hattan

Assistant Examiner — Lauren D McVey

(74) *Attorney, Agent, or Firm* — Muncy, Geissler, Olds & Lowe, P.C.

(57) **CLAIM**

The ornamental design for a multi-functional grip, as shown and described.

DESCRIPTION

FIG. 1 is a front perspective view of a multi-functional grip according to the present invention.

FIG. 2 is a front view of the multi-functional grip of FIG. 1.

FIG. 3 is a rear view of the multi-functional grip of FIG. 1.

FIG. 4 is a left side view of the multi-functional grip of FIG. 1.

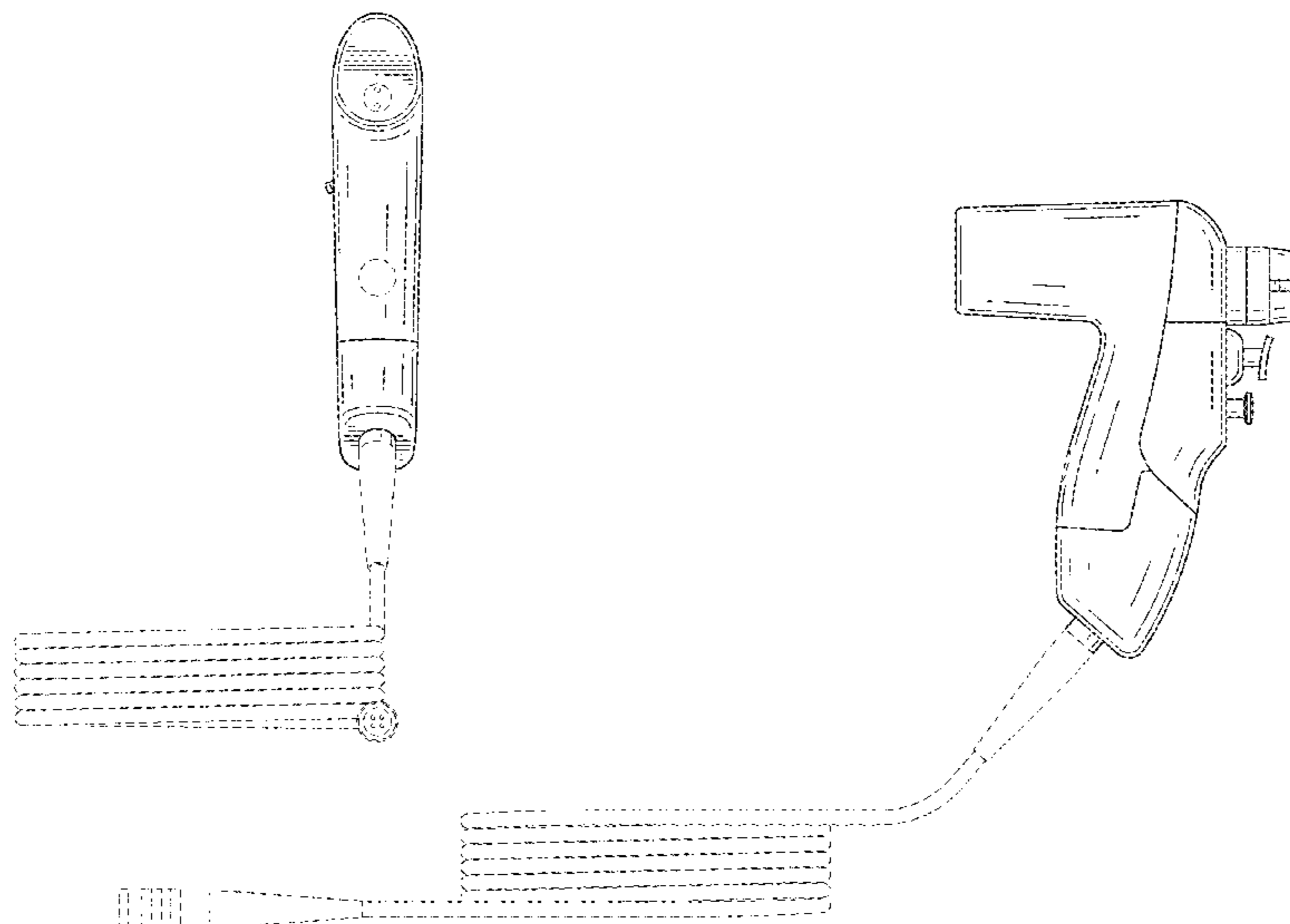
FIG. 5 is a right side view of the multi-functional grip of FIG. 1.

FIG. 6 is a top view of the multi-functional grip of FIG. 1; and,

FIG. 7 is a bottom view of the multi-functional grip of FIG. 1.

The broken lines immediately adjacent to the shaded areas depict the bounds of the claimed design and form no part of the claimed design, while all other broken lines are directed to environment. The broken lines form no part of the claimed design.

1 Claim, 7 Drawing Sheets



(56)

References Cited

U.S. PATENT DOCUMENTS

2016/0100846 A1* 4/2016 Motherway A61B 17/1666
606/81
2017/0189102 A1* 7/2017 Hibner A61B 90/98

* cited by examiner

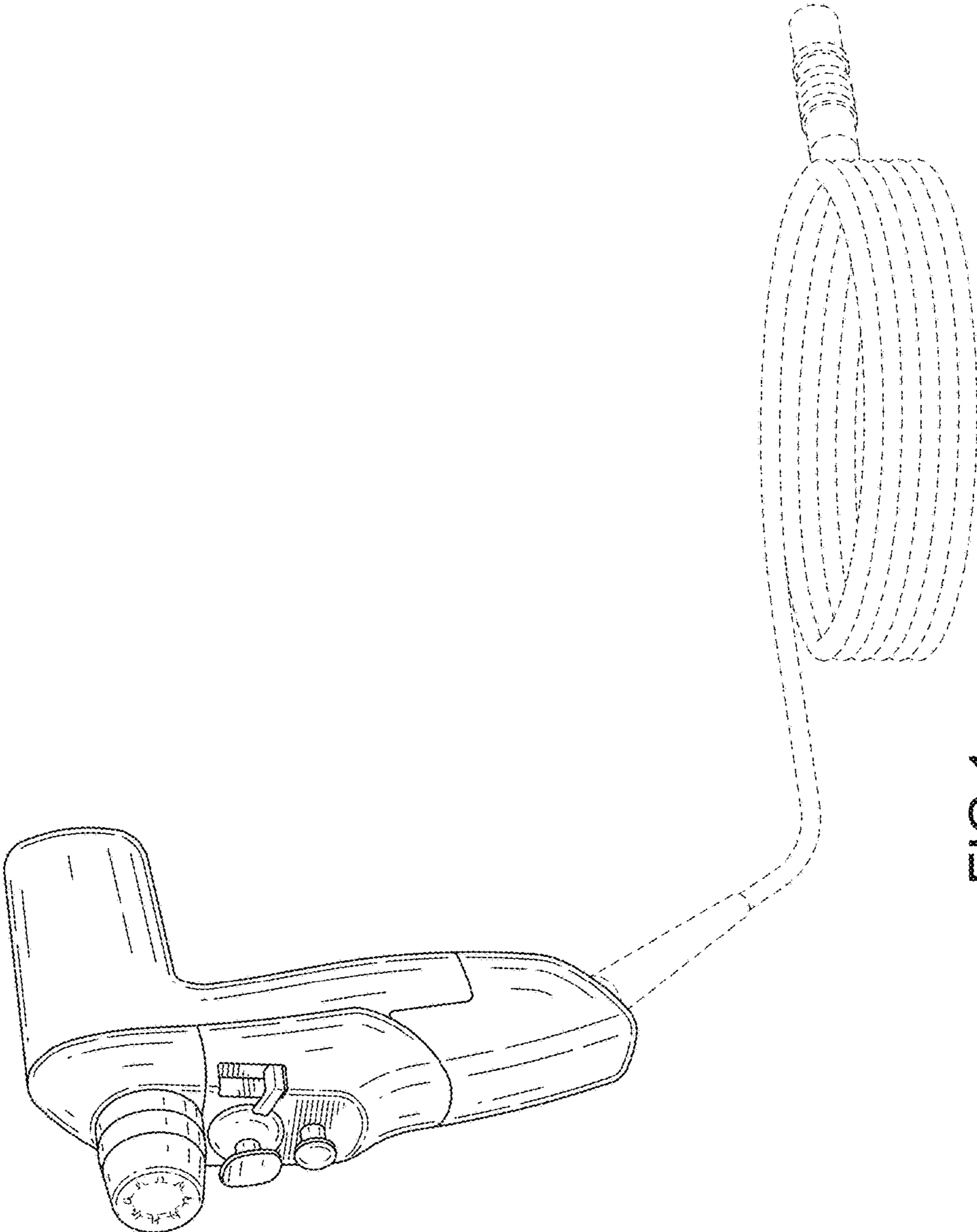


FIG.1

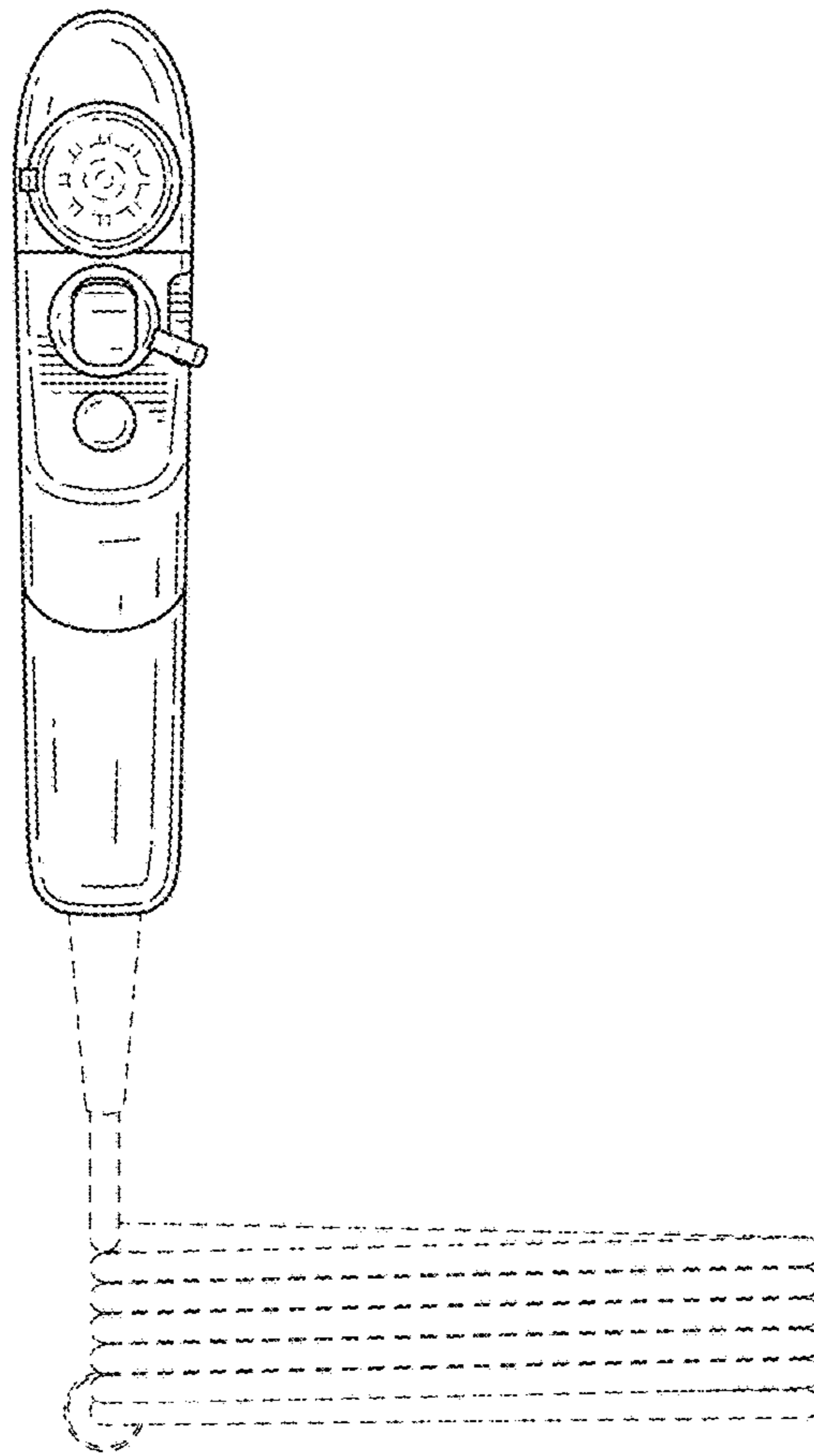


FIG.2

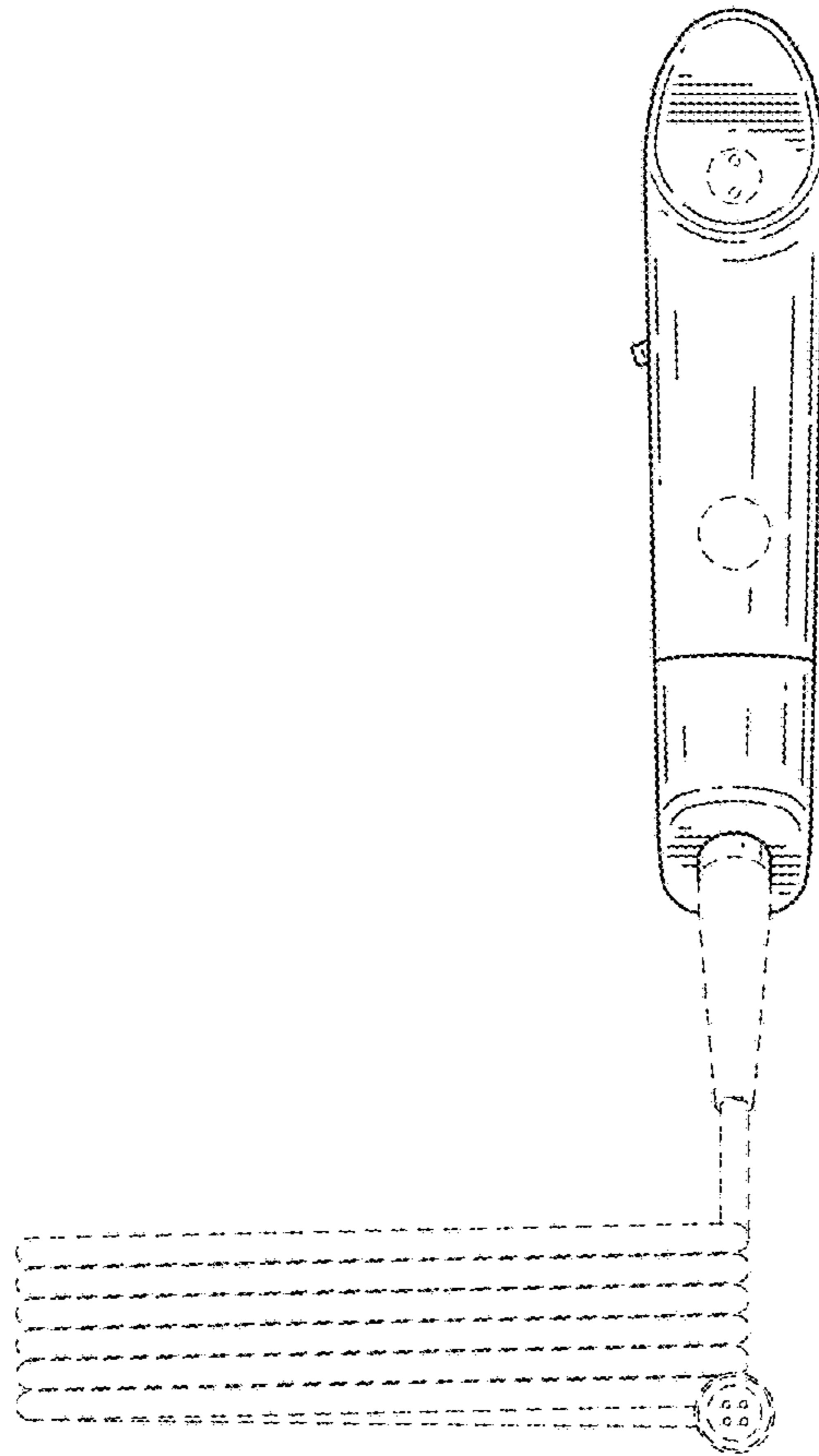


FIG.3

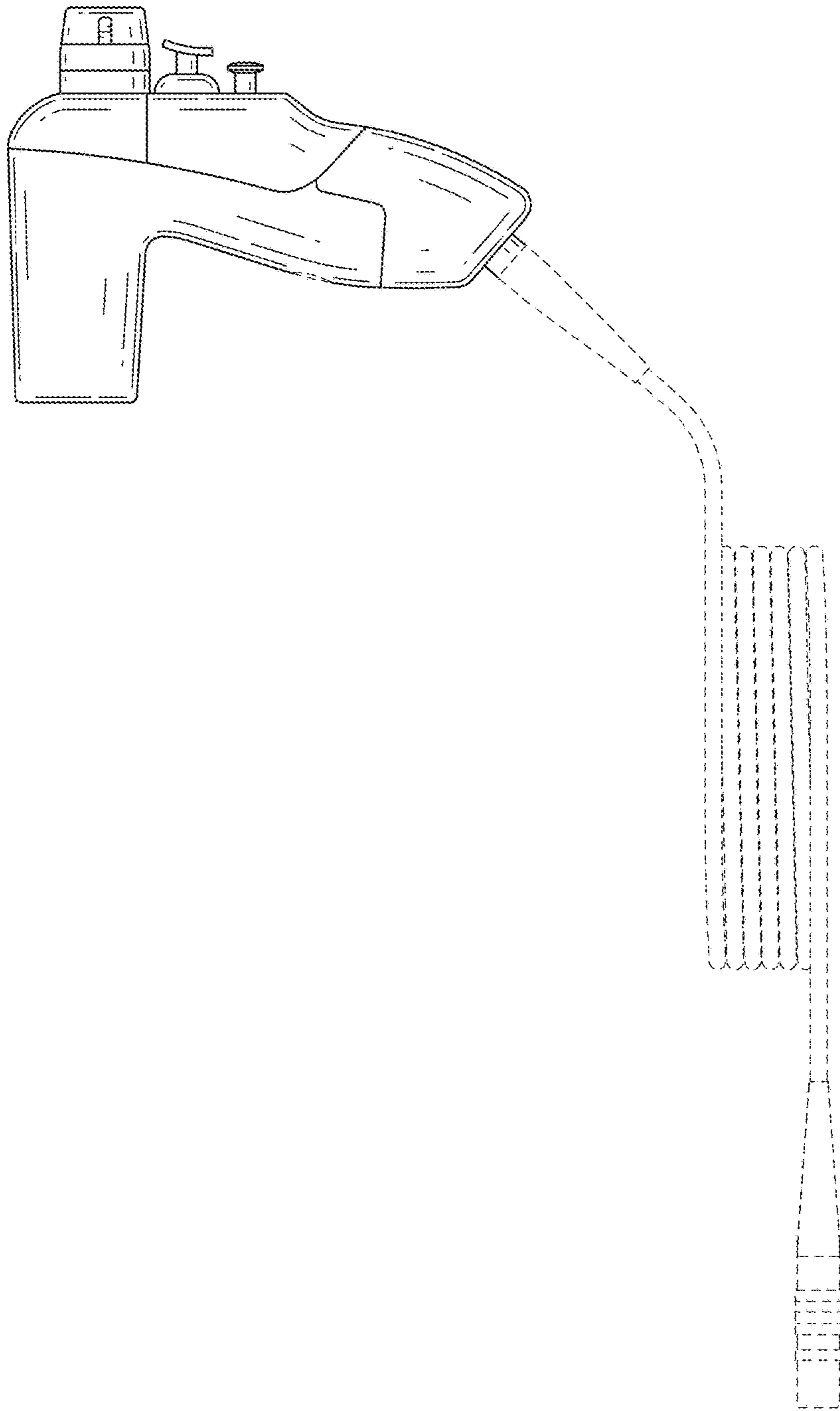


FIG.4

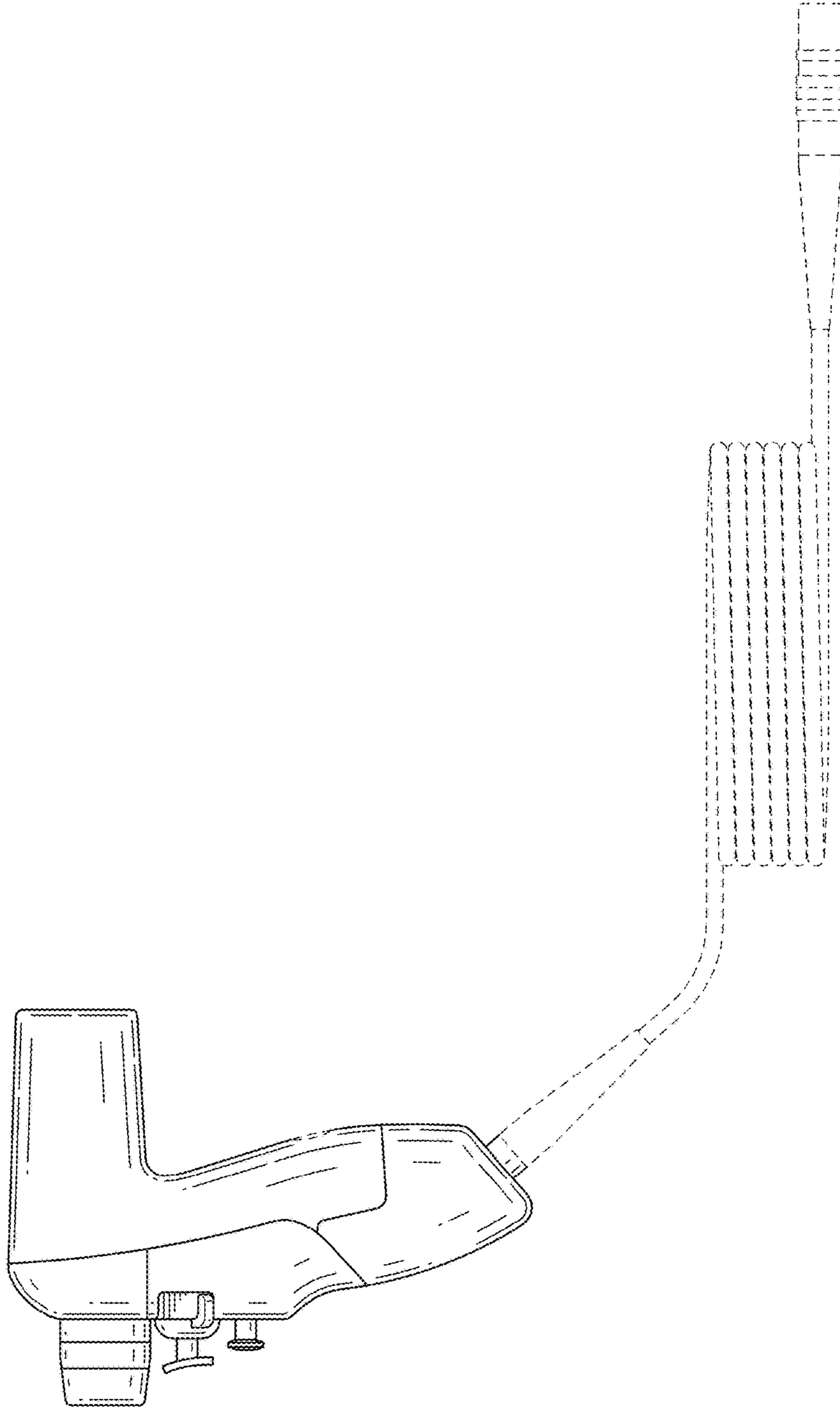


FIG.5

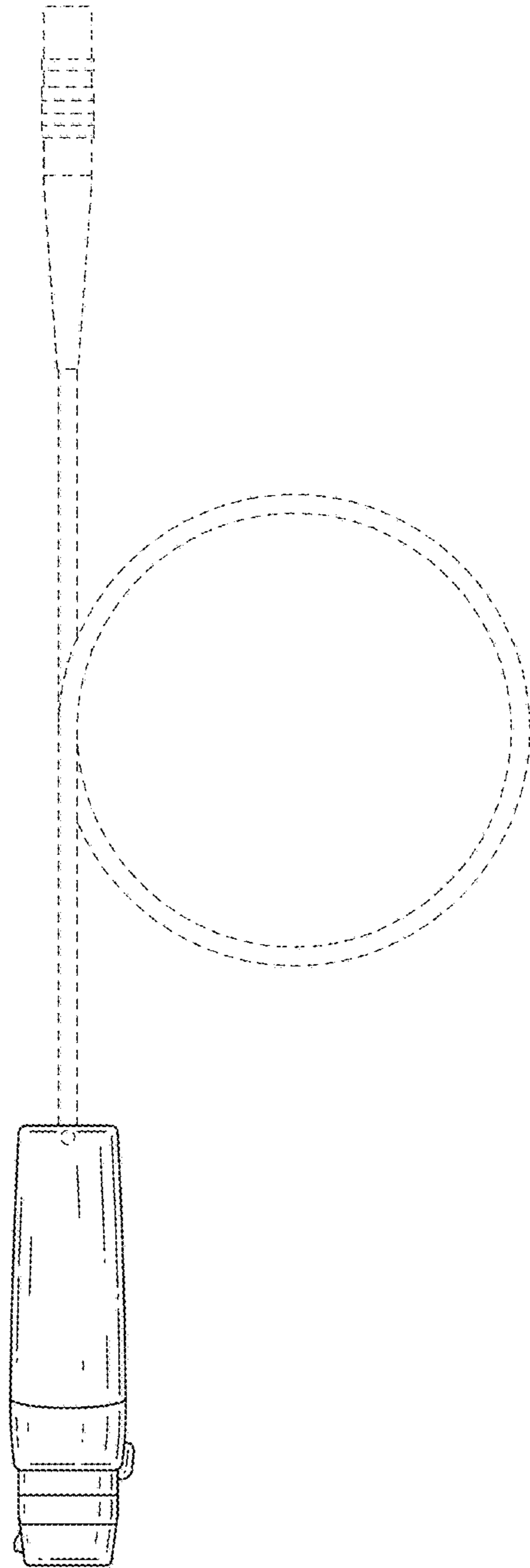


FIG.6

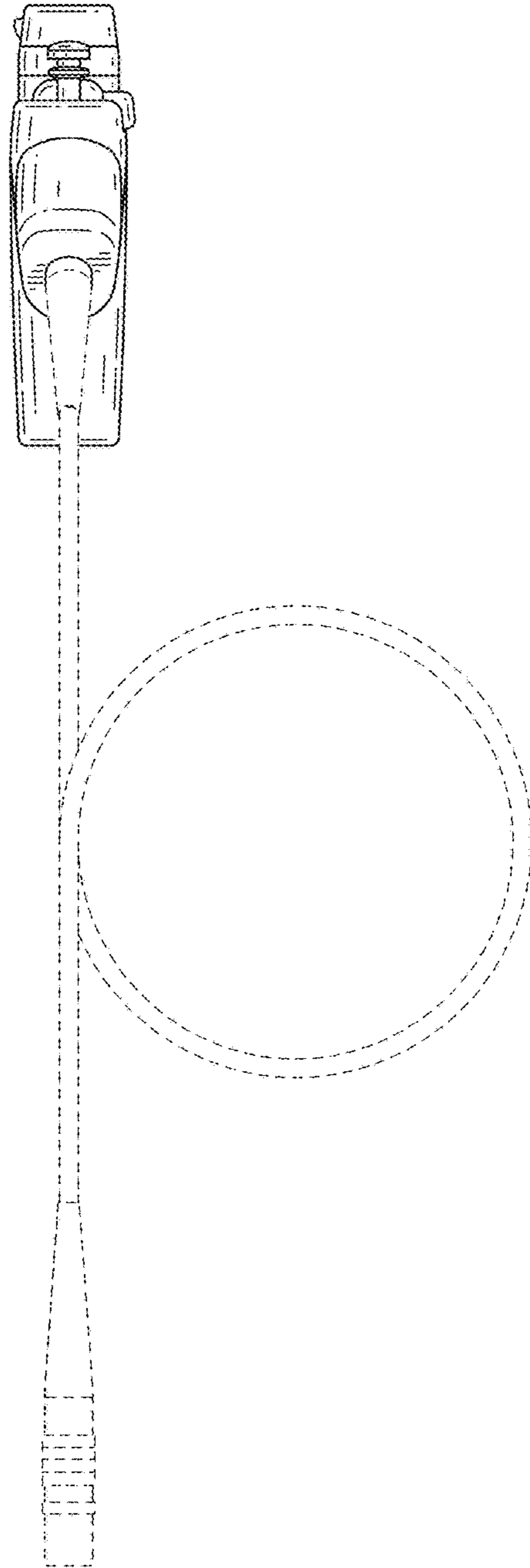


FIG.7

UNITED STATES PATENT AND TRADEMARK OFFICE
CERTIFICATE OF CORRECTION

PATENT NO. : D860,441 S
APPLICATION NO. : 29/633949
DATED : September 17, 2019
INVENTOR(S) : Spycher et al.

Page 1 of 1

It is certified that error appears in the above-identified patent and that said Letters Patent is hereby corrected as shown below:

On the Title Page

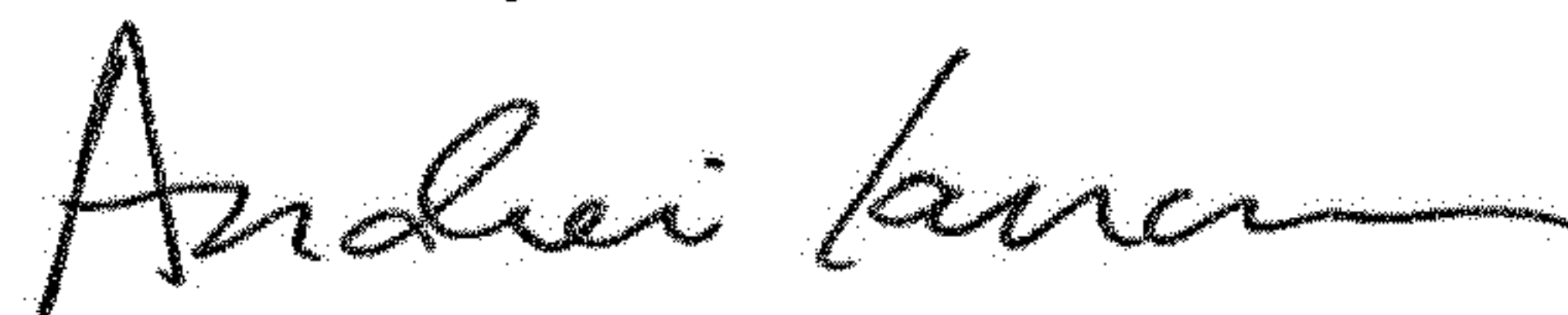
Shows:

(72) Inventors: **Raphael Spycher**, Eschenz (CH); **Peter van Mil**, Winterthur (CH); **Fabian Zimmerli**, Aarau (CH)

Should show:

(72) Inventors: **Raphael Spycher**, Eschenz (CH); **Peter van Mil**, Pfungen (CH); **Fabian Zimmerli**, Aarau (CH)

Signed and Sealed this
Fifth Day of November, 2019



Andrei Iancu
Director of the United States Patent and Trademark Office