



US00D860440S

(12) **United States Design Patent** (10) **Patent No.:** **US D860,440 S**
Harr et al. (45) **Date of Patent:** **** Sep. 17, 2019**

(54) **CASSETTE**
(71) Applicant: **KPR U.S., LLC**, Mansfield, MA (US)
(72) Inventors: **James M. Harr**, Wentzville, MO (US);
Joel D. Wiesner, O'Fallon, MO (US);
Kenneth M. Breitweiser, Brighton, IL (US)
(73) Assignee: **KPR U.S., LLC**, Mansfield, MA (US)
(**) Term: **15 Years**

4,558,996 A 12/1985 Becker
4,559,040 A 12/1985 Horres et al.
4,650,471 A 3/1987 Tamari
4,666,598 A 5/1987 Heath et al.
4,886,431 A 12/1989 Soderquist et al.
4,976,590 A 12/1990 Baldwin
5,096,393 A 3/1992 Van Steenderen et al.
5,256,041 A 10/1993 Tucker
5,470,211 A 11/1995 Knott et al.
5,655,897 A 8/1997 Neftel et al.
5,927,956 A 7/1999 Lim et al.
5,971,726 A 10/1999 Yoshida et al.

(Continued)

(21) Appl. No.: **29/563,231**
(22) Filed: **May 3, 2016**

FOREIGN PATENT DOCUMENTS

FR 2598182 A1 11/1987

OTHER PUBLICATIONS

Office Action dated Jul. 9, 2015 in related U.S. Appl. No. 29/452,920, 11 pages.

(Continued)

Related U.S. Application Data

(62) Division of application No. 29/452,920, filed on Apr. 23, 2013, now Pat. No. Des. 762,850.

(51) **LOC (12) Cl.** **24-01**

(52) **U.S. Cl.**
USPC **D24/129**

(58) **Field of Classification Search**
USPC D24/127-131, 112-114, 133, 186, 118;
606/181, 185; 604/264, 272, 115, 232,
604/187, 158, 164.08, 192, 263, 163, 181,
604/184, 198, 227, 332, 333, 151;
600/101, 139, 143; 128/200.24, 207.14,
128/207.15, DIG. 24; 417/477.2
CPC A61M 5/14232; F04B 43/1253; F04B
43/1269; F04B 43/1223
See application file for complete search history.

Primary Examiner — David G Muller
Assistant Examiner — Nathan M Johnston

(57) **CLAIM**

The ornamental design for a cassette, as shown and described.

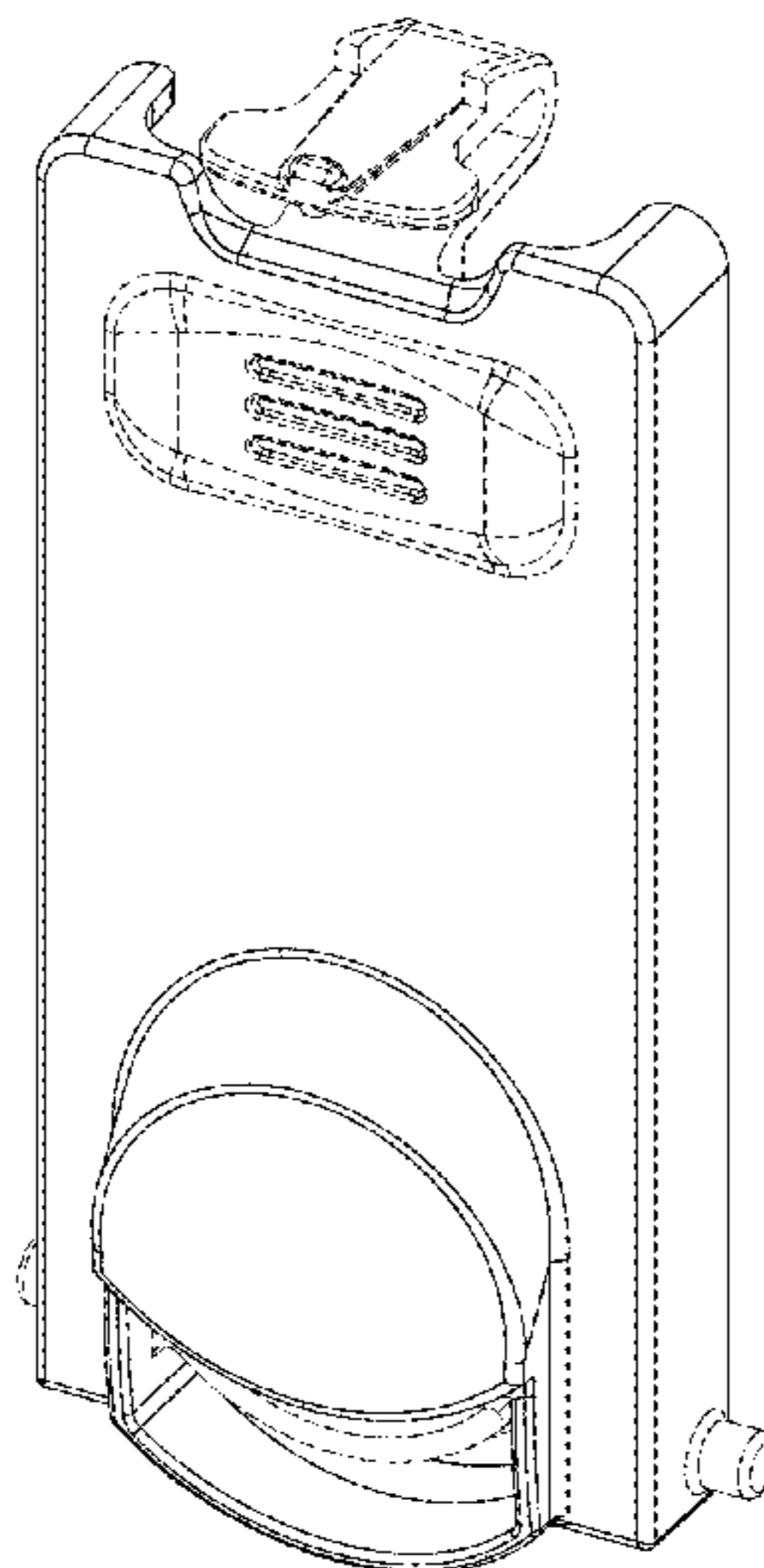
DESCRIPTION

FIG. 1 is a front perspective view of a cassette;
FIG. 2 is a front view thereof;
FIG. 3 is a right side view thereof;
FIG. 4 is a left side view thereof;
FIG. 5 is a top plan view thereof; and,
FIG. 6 is a bottom plan view thereof.
The broken lines show portions that form no part of the claimed design.
The back of the cassette forms no part of the claimed design.

(56) **References Cited**
U.S. PATENT DOCUMENTS

3,353,491 A 11/1967 Bastian
3,597,124 A 8/1971 Adams
4,138,205 A 2/1979 Wallach
4,545,744 A 10/1985 Weber et al.

1 Claim, 5 Drawing Sheets



(56)

References Cited

U.S. PATENT DOCUMENTS

6,027,459 A 2/2000 Shain et al.
 6,062,829 A 5/2000 Ognier
 D437,058 S 1/2001 Gozani
 D456,509 S 4/2002 Schultz
 D479,325 S 9/2003 Tyce
 6,736,617 B2 5/2004 Domroese
 7,092,797 B2 8/2006 Gaines et al.
 D562,985 S 2/2008 Brefka et al.
 7,374,545 B2 5/2008 Ahoy
 D590,509 S * 4/2009 Costa D24/186
 7,534,099 B2 5/2009 Knauper et al.
 7,608,059 B2 10/2009 Harr et al.
 D603,968 S 11/2009 Brefka
 7,722,338 B2 5/2010 Nordell et al.
 7,934,912 B2 5/2011 Voltenburg, Jr. et al.
 8,043,077 B2 10/2011 Miyazaki
 8,047,819 B2 11/2011 Lawrence et al.
 8,118,778 B2 * 2/2012 Haylor A61M 5/1413
 16/254
 8,128,382 B2 3/2012 Smits
 8,197,236 B2 6/2012 McIntosh
 D664,257 S * 7/2012 Patil D24/186
 D664,258 S 7/2012 Harkin et al.
 8,262,616 B2 9/2012 Grant et al.
 8,353,683 B2 1/2013 Miyazaki et al.
 D687,599 S * 8/2013 Amit D24/186
 8,545,198 B2 10/2013 Artsyukhovich et al.
 8,550,310 B2 10/2013 Alstad et al.
 D697,626 S 1/2014 Laplante et al.
 D702,355 S * 4/2014 Laplante D24/186
 D715,924 S 10/2014 Green
 8,974,415 B2 * 3/2015 Robert A61M 5/16804
 604/151
 D732,410 S * 6/2015 Waaler D10/81
 D740,950 S * 10/2015 Osness D24/186
 D741,995 S * 10/2015 Prasser D24/113
 D745,173 S * 12/2015 Marzynski D24/186
 D752,763 S * 3/2016 Rondoni D24/186
 9,313,910 B2 * 4/2016 Waldhoff A61B 5/01
 D759,254 S * 6/2016 Knieriem D24/186
 D765,257 S * 8/2016 Marzynski D24/186
 D765,258 S * 8/2016 Marzynski D24/186
 9,453,768 B2 * 9/2016 Harr G01K 1/14
 D770,051 S * 10/2016 Eggli D24/186
 D771,244 S * 11/2016 Takemoto D24/113
 D771,821 S * 11/2016 Hilbig D24/186
 D782,051 S * 3/2017 Ryu D24/186
 D784,541 S * 4/2017 Hilbig D24/186
 D784,542 S * 4/2017 Zwierstra D24/186
 D794,207 S * 8/2017 Flanagan D24/186
 D794,805 S * 8/2017 Kranz D24/186
 D806,233 S * 12/2017 Wolper D24/112
 D806,881 S * 1/2018 Corrigan D24/186
 D810,948 S * 2/2018 Wielunski D24/186
 D822,216 S * 7/2018 Barker D24/186

D830,565 S * 10/2018 Xu D24/200
 D833,624 S * 11/2018 DeJong D24/186
 D837,388 S * 1/2019 DaCosta D24/186
 2002/0131881 A1 9/2002 Kagawa et al.
 2004/0057856 A1 3/2004 Saxer et al.
 2005/0069436 A1 3/2005 Shibasaki
 2005/0191196 A1 * 9/2005 Tanner A61M 5/14232
 417/477.2
 2006/0067845 A1 3/2006 Kojima et al.
 2007/0217932 A1 9/2007 Voyeux et al.
 2008/0112828 A1 5/2008 Muri et al.
 2008/0125701 A1 * 5/2008 Moberg A61B 5/1118
 604/67
 2009/0053085 A1 2/2009 Thompson et al.
 2009/0069749 A1 * 3/2009 Miller A61M 5/1413
 604/151
 2009/0099523 A1 * 4/2009 Grant A61M 5/14244
 604/151
 2010/0129247 A1 5/2010 Lauer
 2010/0129248 A1 5/2010 Mou
 2010/0301071 A1 12/2010 Alstad et al.
 2011/0286870 A1 11/2011 Bach
 2011/0313358 A1 12/2011 Hariharesan et al.
 2012/0034117 A1 2/2012 Pfouts et al.
 2012/0083735 A1 4/2012 Pfouts
 2012/0095398 A1 * 4/2012 Fonacier A61M 5/14244
 604/151
 2012/0130309 A1 5/2012 Hariharesan et al.
 2012/0143151 A1 6/2012 Low et al.
 2012/0195777 A1 8/2012 Stejskal et al.
 2013/0071272 A1 3/2013 Jurelich et al.
 2013/0280104 A1 10/2013 Heide et al.
 2014/0135731 A1 5/2014 Breitweiser et al.
 2015/0037168 A1 * 2/2015 Faccioli A61M 5/14232
 417/18
 2016/0082184 A1 * 3/2016 Hanagan A61M 5/14228
 604/151
 2016/0199568 A1 * 7/2016 McNall, III A61M 5/142
 604/67

OTHER PUBLICATIONS

Response dated Oct. 7, 2015 to Office Action dated Jul. 9, 2015 in related U.S. Appl. No. 29/452,920, 8 pages.
 Office Action dated Jan. 15, 2016 in related U.S. Appl. No. 29/452,920, 9 pages.
 Response dated Mar. 14, 2016 to Office Action dated Jan. 15, 2016 in related U.S. Appl. No. 29/452,920, 5 pages.
 Office Action dated May 16, 2014 in related Canadian Application No. 153327, 2 pages.
 Office Action dated Oct. 17, 2014 in related Canadian Application No. 153327, 1 page.
 Office Action dated Mar. 3, 2015 in related Canadian Application No. 153327, 1 page.

* cited by examiner

FIG. 1

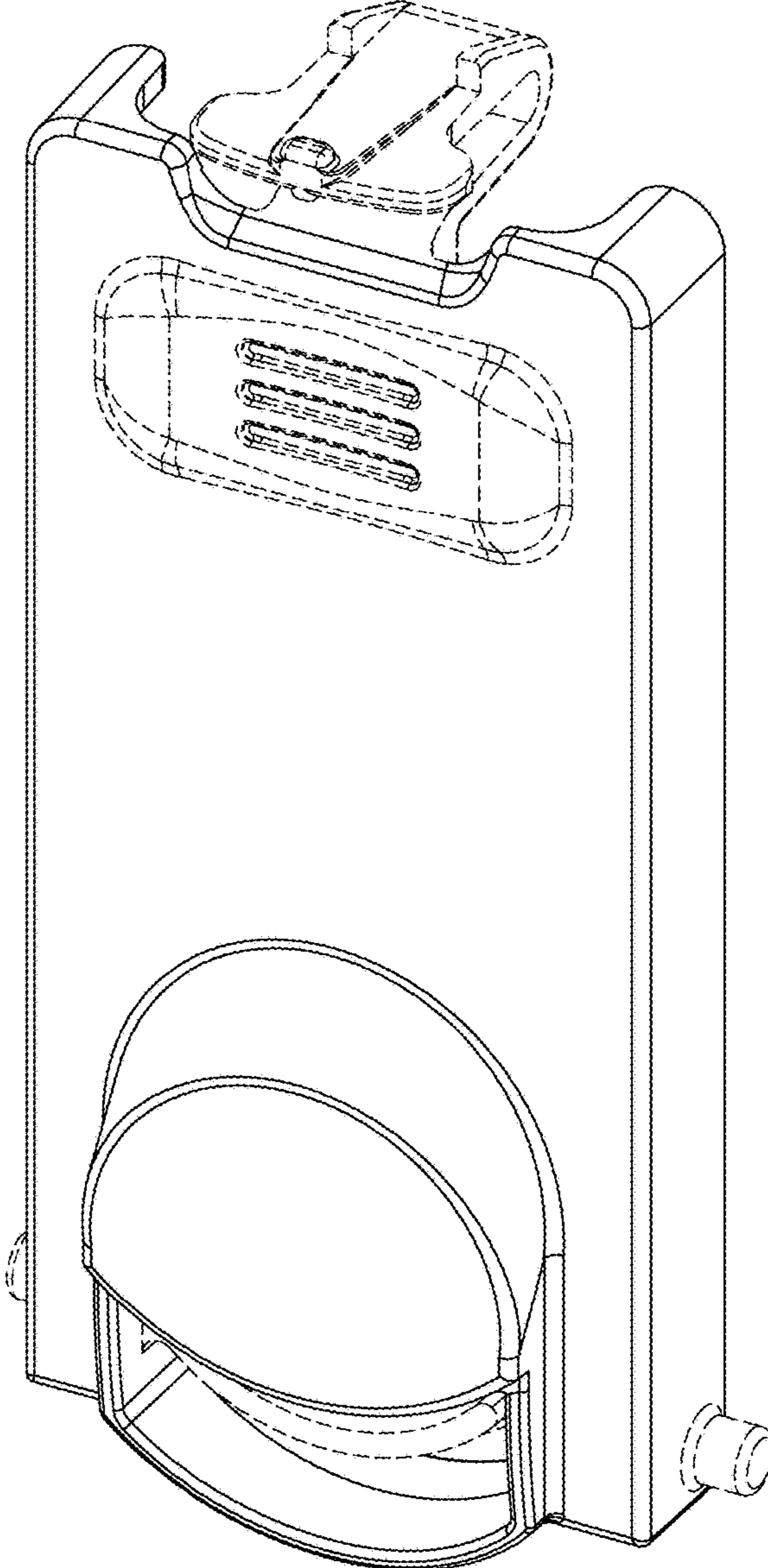


FIG. 2

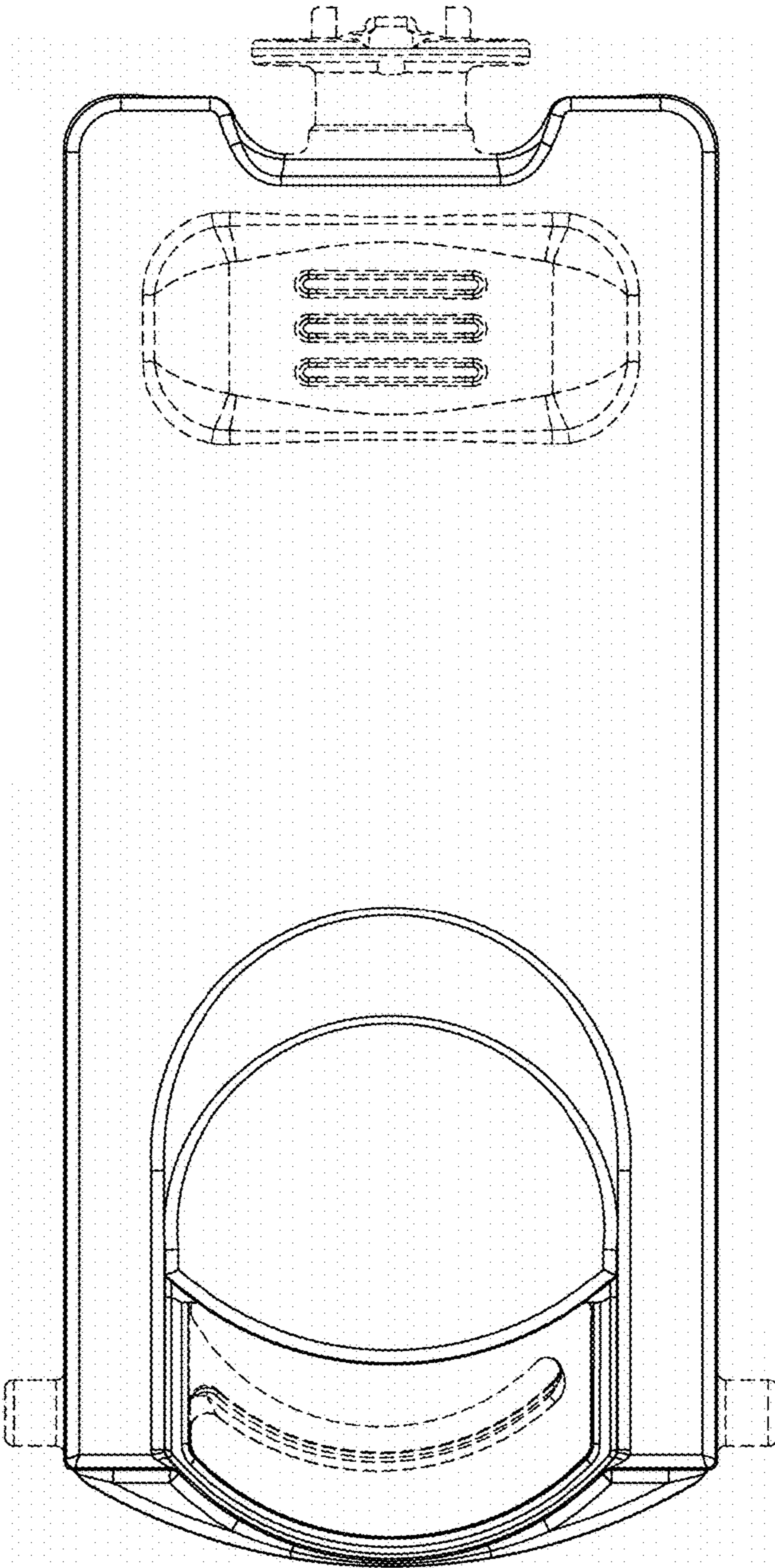


FIG. 3

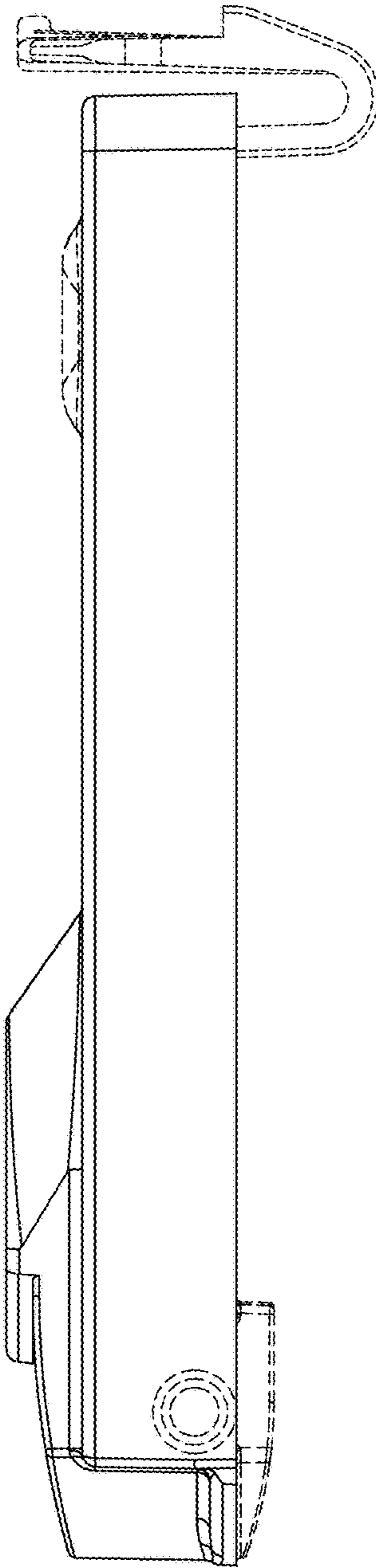


FIG. 4

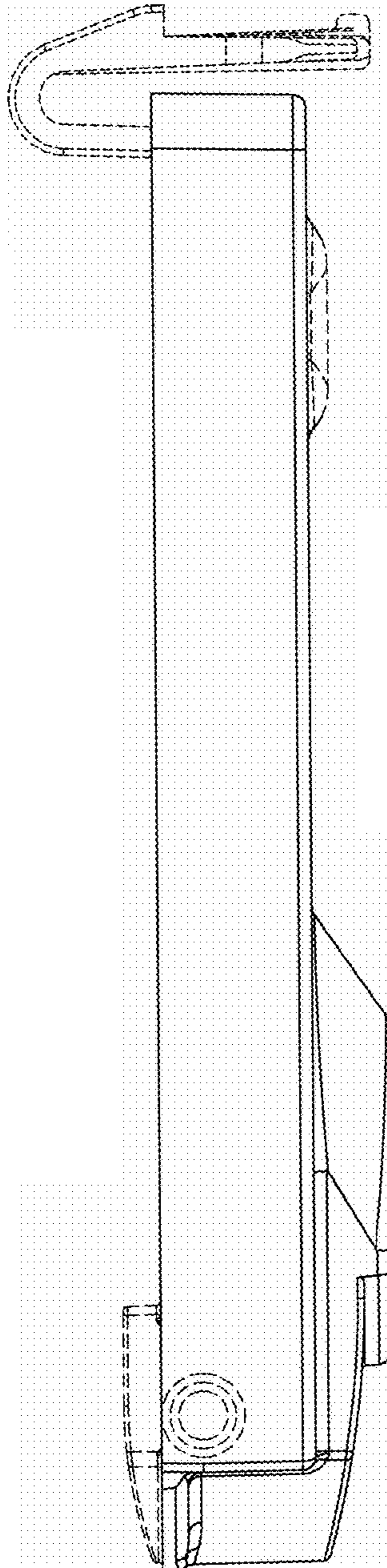


FIG. 5

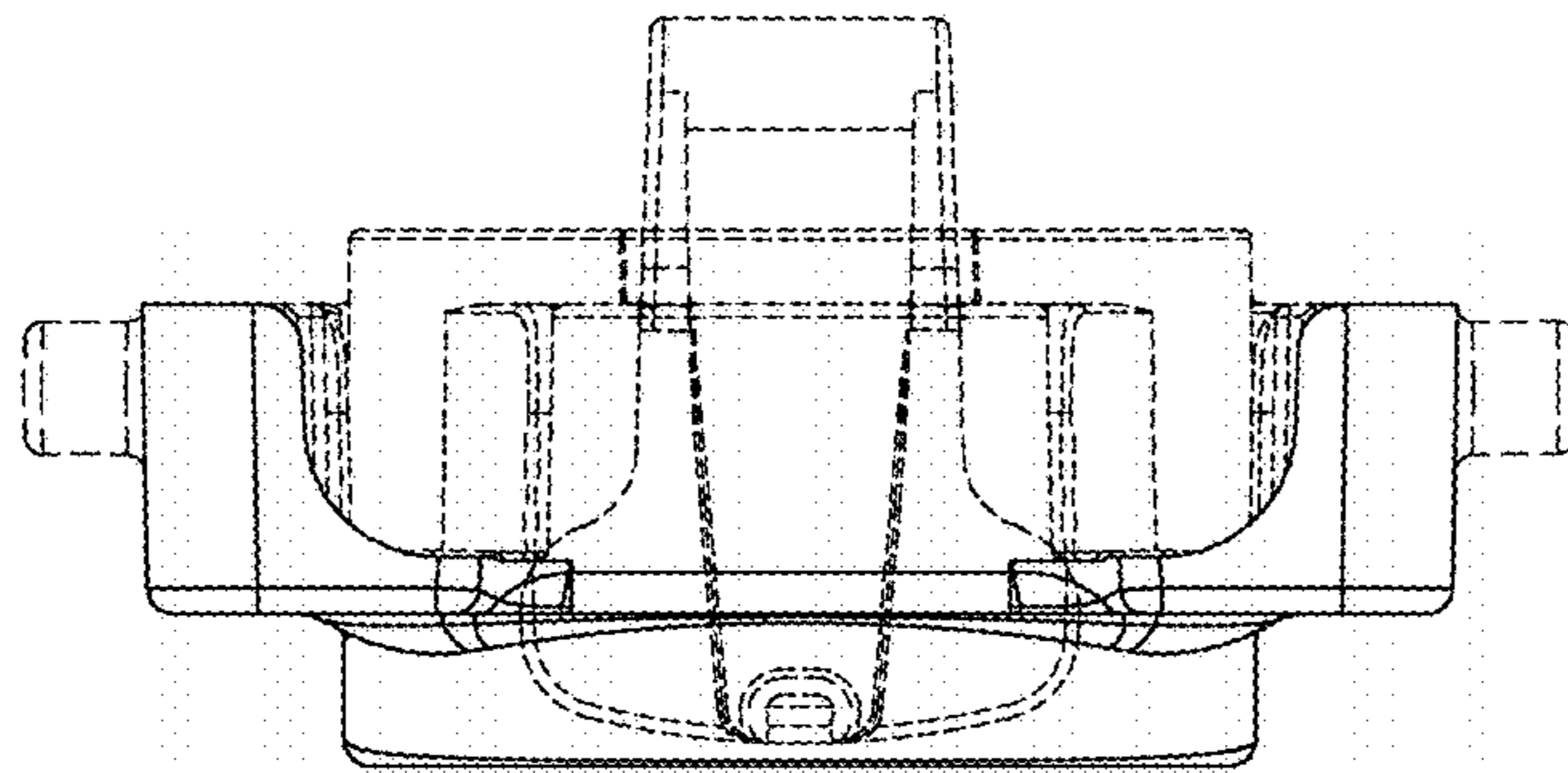


FIG. 6

