



US00D860439S

(12) **United States Design Patent**  
**Delarosa et al.**

(10) **Patent No.:** **US D860,439 S**  
(45) **Date of Patent:** **\*\* Sep. 17, 2019**

- (54) **IV TUBING ORGANIZER**
- (71) Applicants: **Jacob Delarosa**, Pocatello, ID (US);  
**Juan Leon**, Pocatello, ID (US)
- (72) Inventors: **Jacob Delarosa**, Pocatello, ID (US);  
**Juan Leon**, Pocatello, ID (US)
- (\*\*) Term: **15 Years**
- (21) Appl. No.: **29/634,780**
- (22) Filed: **Jan. 24, 2018**
- (51) **LOC (12) Cl.** ..... **24-02**
- (52) **U.S. Cl.**  
USPC ..... **D24/128**
- (58) **Field of Classification Search**  
USPC ..... D24/127-131, 112-114, 133, 186;  
606/181, 185; 604/264, 523-528, 272,  
604/187, 158, 164.01-164.11, 181, 184,  
604/227; 600/101, 139, 143;  
128/200.24, 207.14, 207.15; 138/156,  
138/168, 147, 151; D5/7, 99; D9/711,  
D9/53; 383/41  
CPC ..... A61M 25/00; A61M 39/00; A61M 27/00;  
A61M 25/0043; A61M 25/0067; A61M  
25/0097; A61F 2/958; F16L 59/021;  
F16L 59/023; F16L 59/022  
See application file for complete search history.

- (56) **References Cited**  
U.S. PATENT DOCUMENTS  
3,941,159 A \* 3/1976 Toll ..... F16L 59/022  
138/147  
4,022,248 A \* 5/1977 Hepner ..... F16L 59/023  
138/141  
D244,804 S \* 6/1977 Kies ..... D25/163  
4,795,433 A \* 1/1989 Sarnoff ..... A61K 9/0019  
604/134  
D380,091 S \* 6/1997 Shea ..... D5/3

- 5,901,756 A \* 5/1999 Goodrich ..... F16L 3/233  
138/110
- 6,286,876 B1 \* 9/2001 Jasperse ..... B64F 1/362  
138/156
- D488,227 S \* 4/2004 Watson ..... D24/128
- D501,554 S \* 2/2005 Hansen ..... D24/128
- 6,953,061 B2 \* 10/2005 Della Putta ..... F01N 13/14  
138/110
- 7,018,373 B2 \* 3/2006 Suzuki ..... A61B 17/3415  
600/114
- 7,171,988 B2 \* 2/2007 Gejima ..... B21D 26/045  
138/156
- 7,290,568 B2 \* 11/2007 Jeong ..... F16L 11/042  
138/123

(Continued)

*Primary Examiner* — David G Muller  
(74) *Attorney, Agent, or Firm* — Quickpatents, LLC;  
Kevin Prince

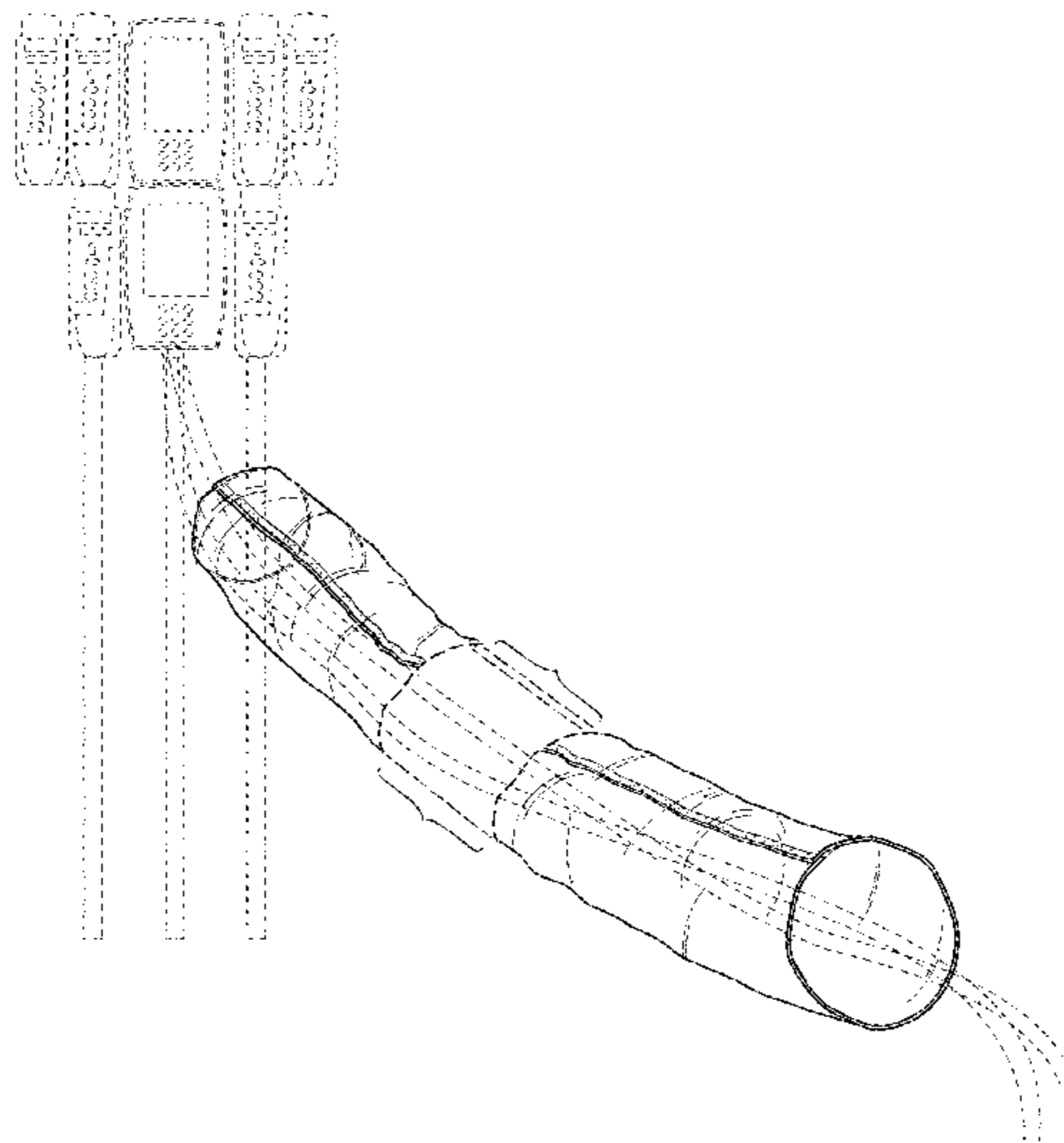
(57) **CLAIM**

We claim the ornamental design for an IV tubing organizer, as shown and described.

**DESCRIPTION**

FIG. 1 is a perspective view of an IV tubing organizer, showing our new design;  
FIG. 2 is a front elevational view thereof;  
FIG. 3 is a rear elevational view thereof;  
FIG. 4 is a left-side elevational view thereof, the right-side elevational view being a mirror image thereof; and,  
FIG. 5 is a top plan view thereof, the bottom plan view being a mirror image thereof.  
The broken lines showing IV machines and tubes in FIG. 1 depict environmental matter and form no part of the claimed design. The remaining broken lines represent portions of the IV tubing organizer that form no part of the claimed design. The catheter is shown with a symbolic break in its length. The appearance of any portion of the article between the break lines forms no part of the claimed design.

**1 Claim, 2 Drawing Sheets**



(56)

**References Cited**

U.S. PATENT DOCUMENTS

D623,737 S \* 9/2010 Barker ..... D24/128  
D667,228 S \* 9/2012 Kurose ..... D5/99  
D672,036 S \* 12/2012 Simon ..... D24/128  
8,863,746 B2 \* 10/2014 Totz ..... A61M 16/04  
128/200.26  
D761,419 S \* 7/2016 Fitzgerald ..... D24/128  
9,433,712 B2 \* 9/2016 Locke ..... A61M 1/0088  
D782,052 S \* 3/2017 Ferguson-Shakir ... A41D 13/04  
D24/186  
D818,120 S \* 5/2018 Levy ..... D24/127  
D829,895 S \* 10/2018 Tetlow ..... D24/128

\* cited by examiner

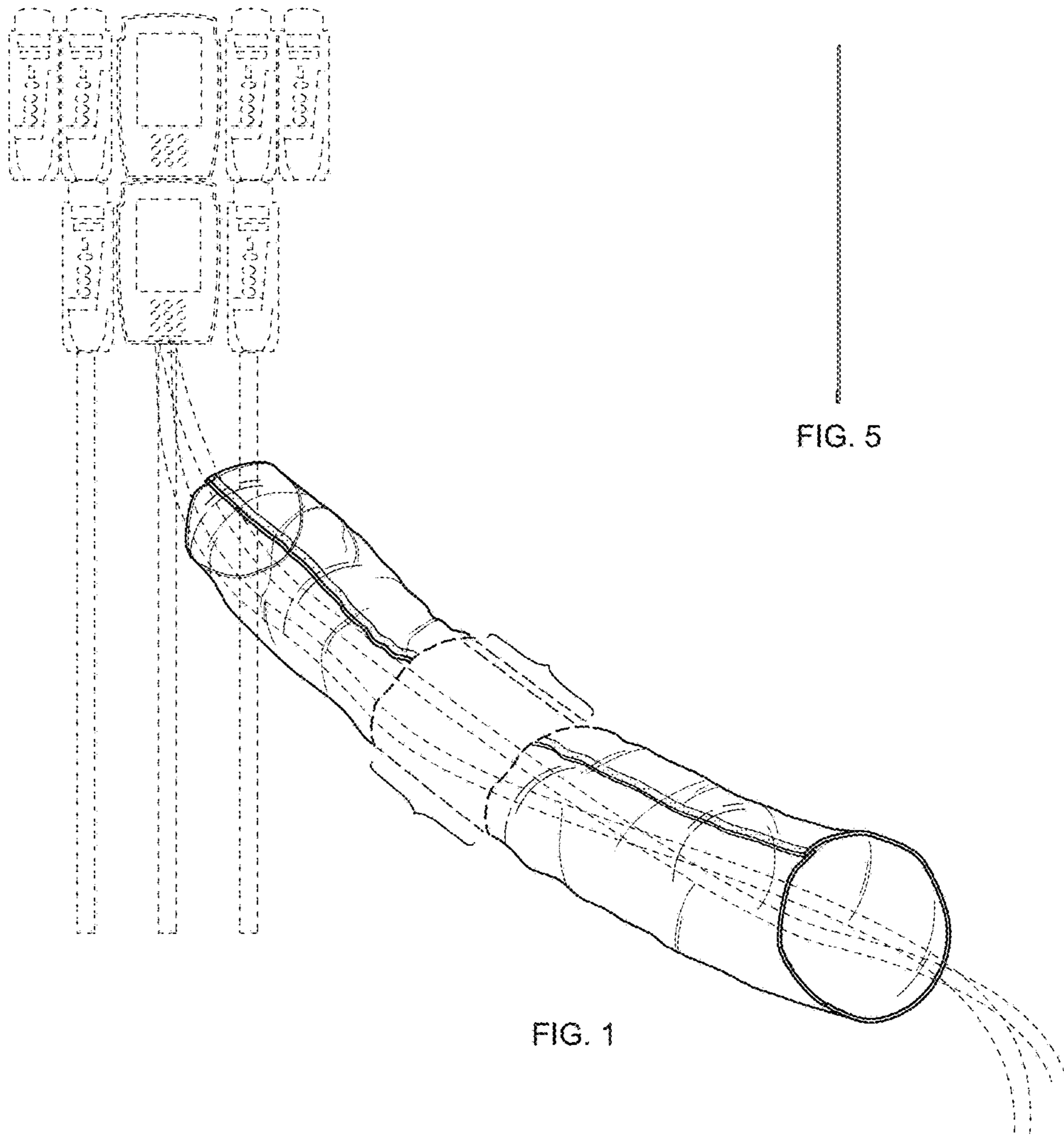


FIG. 1

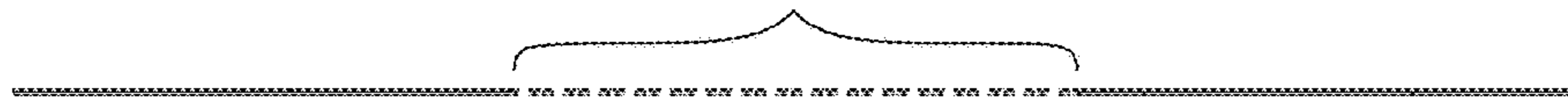


FIG. 4

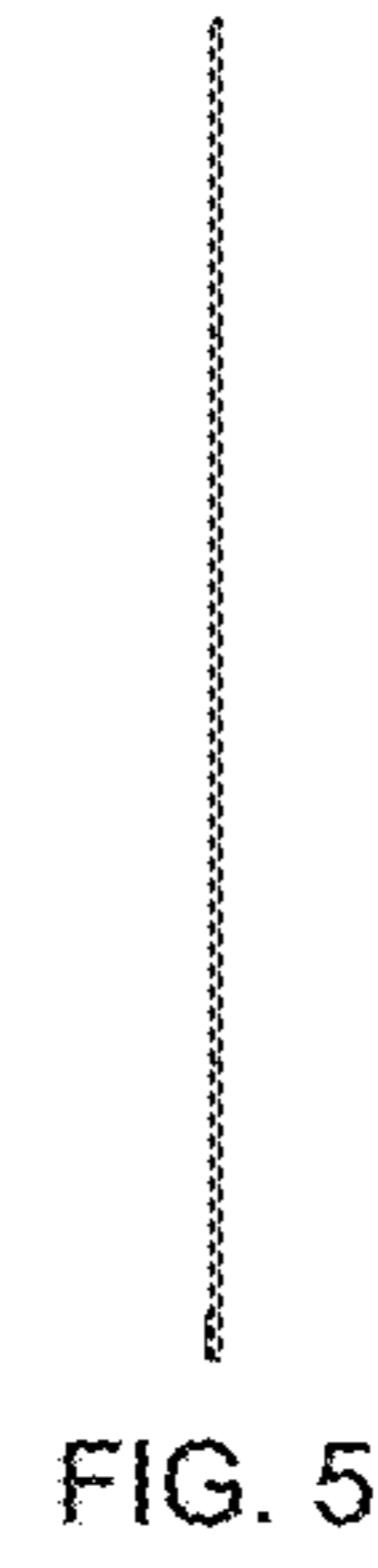


FIG. 5

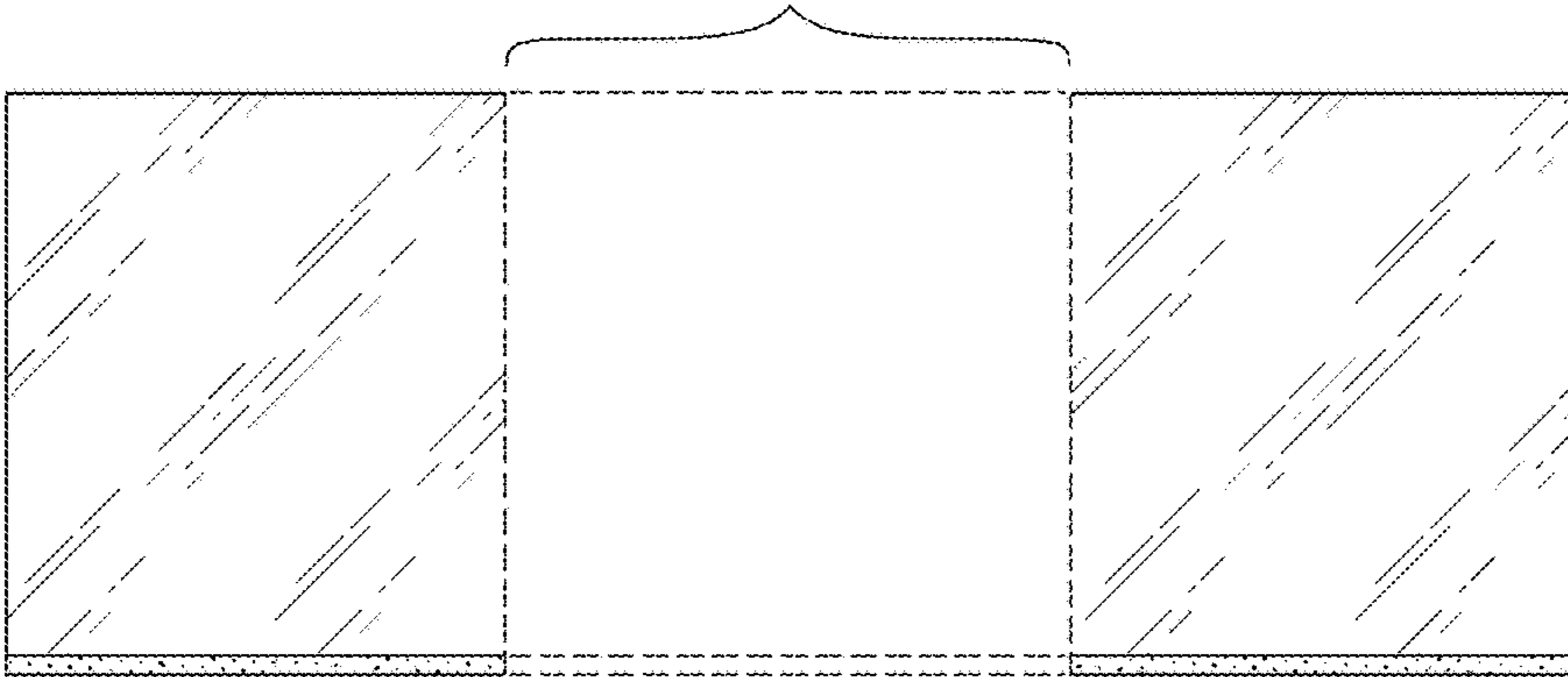


FIG. 2

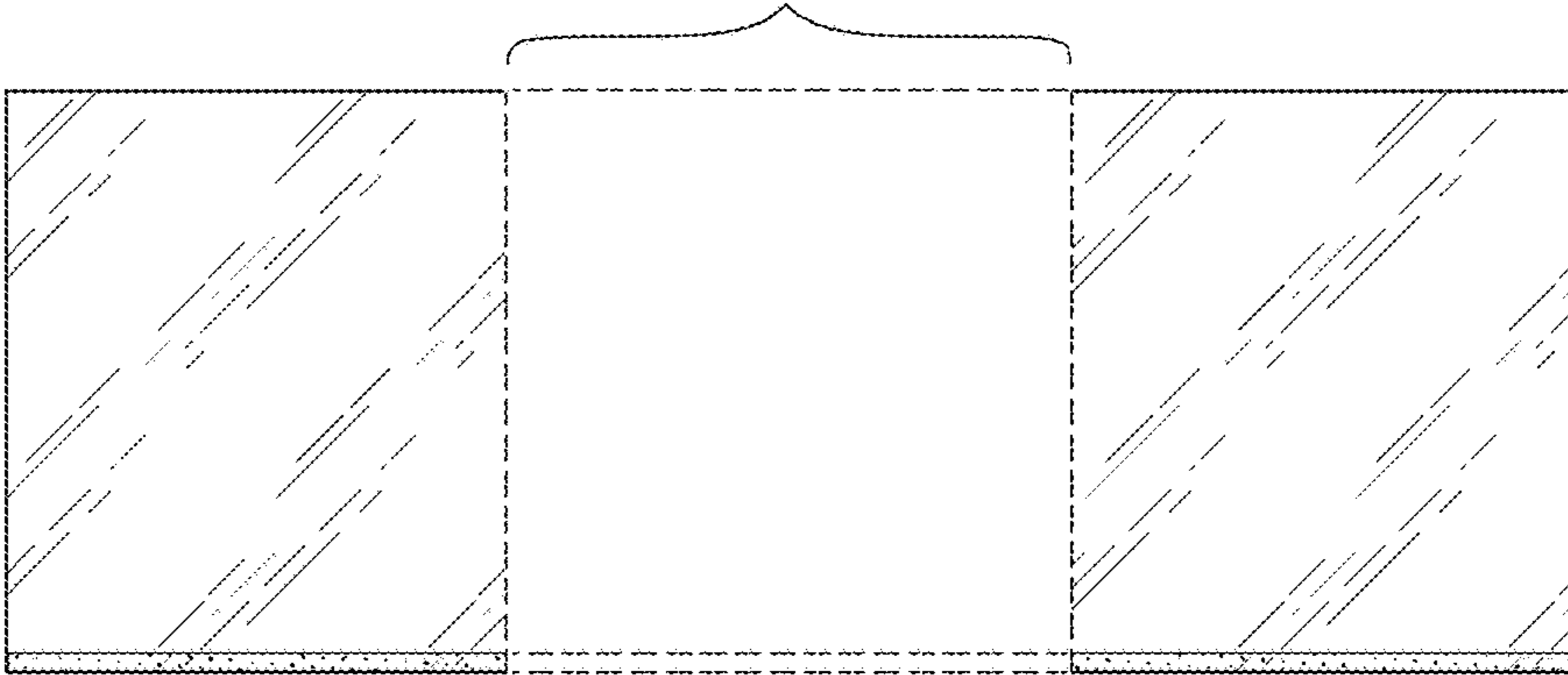


FIG. 3